



US00D870946S

(12) **United States Design Patent** (10) **Patent No.:** **US D870,946 S**
Glusca Martinez (45) **Date of Patent:** **** Dec. 24, 2019**

- (54) **LUMINAIRE**
- (71) Applicant: **SIMON, S.A.U.**, Barcelona (ES)
- (72) Inventor: **Jose Llusca Martinez**, Barcelona (ES)
- (73) Assignee: **Simon, S.A.U.**, Barcelona (ES)
- (**) Term: **15 Years**
- (21) Appl. No.: **29/635,465**
- (22) Filed: **Jan. 31, 2018**

D698,973 S	2/2014	Santoro et al.	
D709,641 S *	7/2014	Maxik	D26/113
D709,642 S *	7/2014	Maxik	D26/113
D735,391 S	7/2015	Blessitt et al.	
9,110,209 B2	8/2015	Blessitt et al.	
D762,907 S *	8/2016	Jeswani	D26/74
D769,501 S *	10/2016	Jeswani	D26/74
D771,296 S *	11/2016	Duckworth	D26/63
D776,325 S *	1/2017	Jeswani	D26/74
D779,100 S *	2/2017	Redfern	D26/74
D779,101 S *	2/2017	Redfern	D26/74
D779,701 S	2/2017	Lazalier et al.	
D785,228 S *	4/2017	Guzzini	D26/74
D786,472 S *	5/2017	Redfern	D26/74
D790,102 S *	6/2017	Guzzini	D26/74
2016/0356436 A1	12/2016	Blessitt	

Related U.S. Application Data

- (62) Division of application No. 35/501,643, filed on Jul. 11, 2016 (U.S. filing date under 35 U.S.C. 384), and having an international filing date of Jul. 11, 2016, now Pat. No. Des. 820,492.

Foreign Application Priority Data

- Jan. 12, 2016 (EM) 2941724

(51) **LOC (12) Cl.** **26-05**

(52) **U.S. Cl.**
USPC **D26/71**

(58) **Field of Classification Search**
USPC D26/63, 71, 92
CPC .. F21S 8/033; F21S 8/036; F21S 8/085; F21S 8/086; F21V 21/30; F21W 2111/02
See application file for complete search history.

References Cited

U.S. PATENT DOCUMENTS

- 5,283,968 A 2/1994 Williams
- 5,625,968 A 5/1997 Ashall

* cited by examiner

Primary Examiner — Michael A. Pratt

(74) *Attorney, Agent, or Firm* — Avery N. Goldstein;
Blue Filament Law PLLC

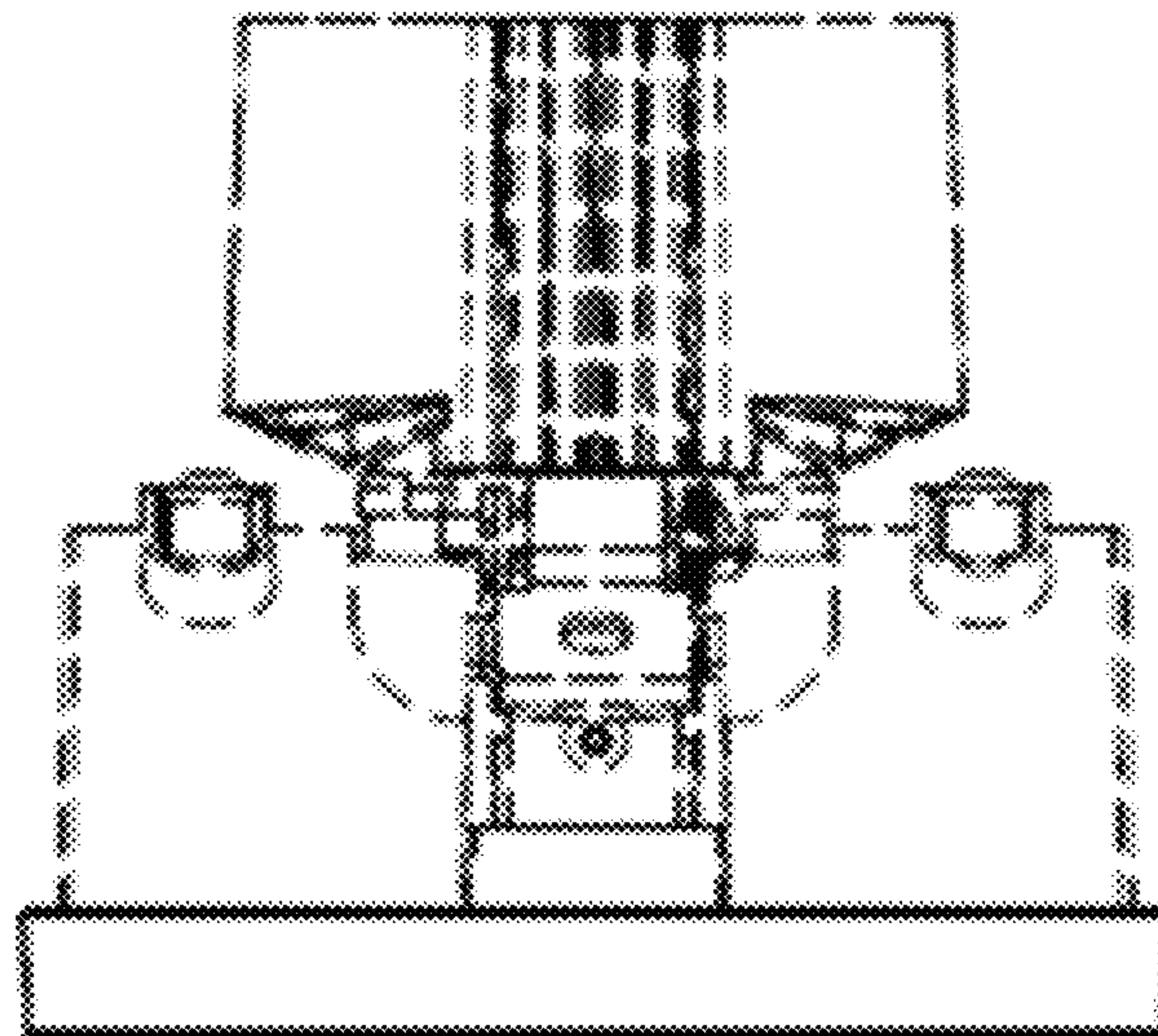
(57) **CLAIM**

The ornamental design for a luminaire, as shown and described.

DESCRIPTION

FIG. 1 is a front view of a luminaire showing my new design;
 FIG. 2 is a side view thereof;
 FIG. 3 is a bottom view thereof;
 FIG. 4 is perspective view thereof;
 FIG. 5 is a bottom view of a second patentably indistinct embodiment for which the front and side views are identical to those of FIGS. 1 and 2, respectively; and,
 FIG. 6 is perspective view of the second patentably indistinct embodiment.

1 Claim, 5 Drawing Sheets



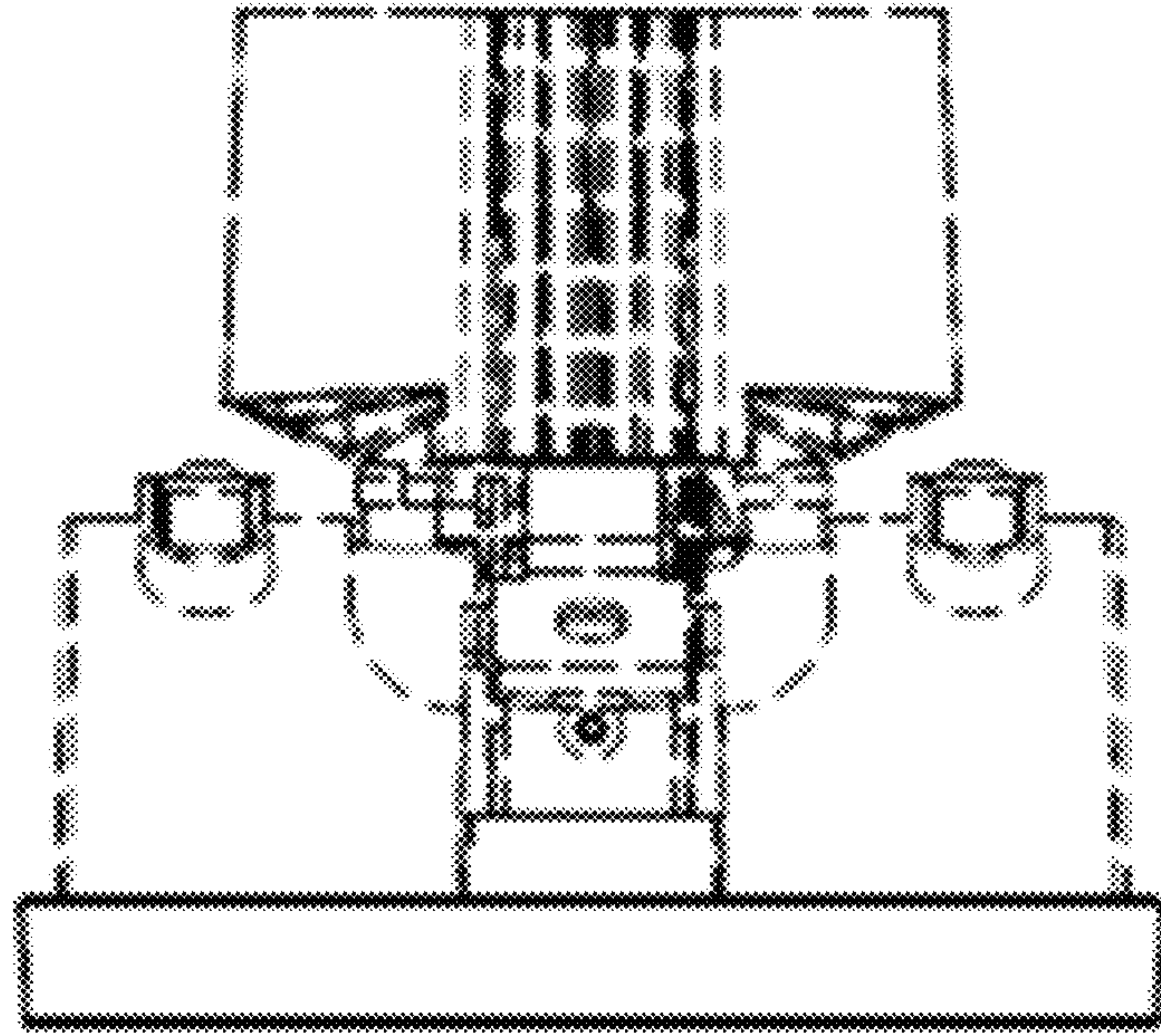


FIG. 1

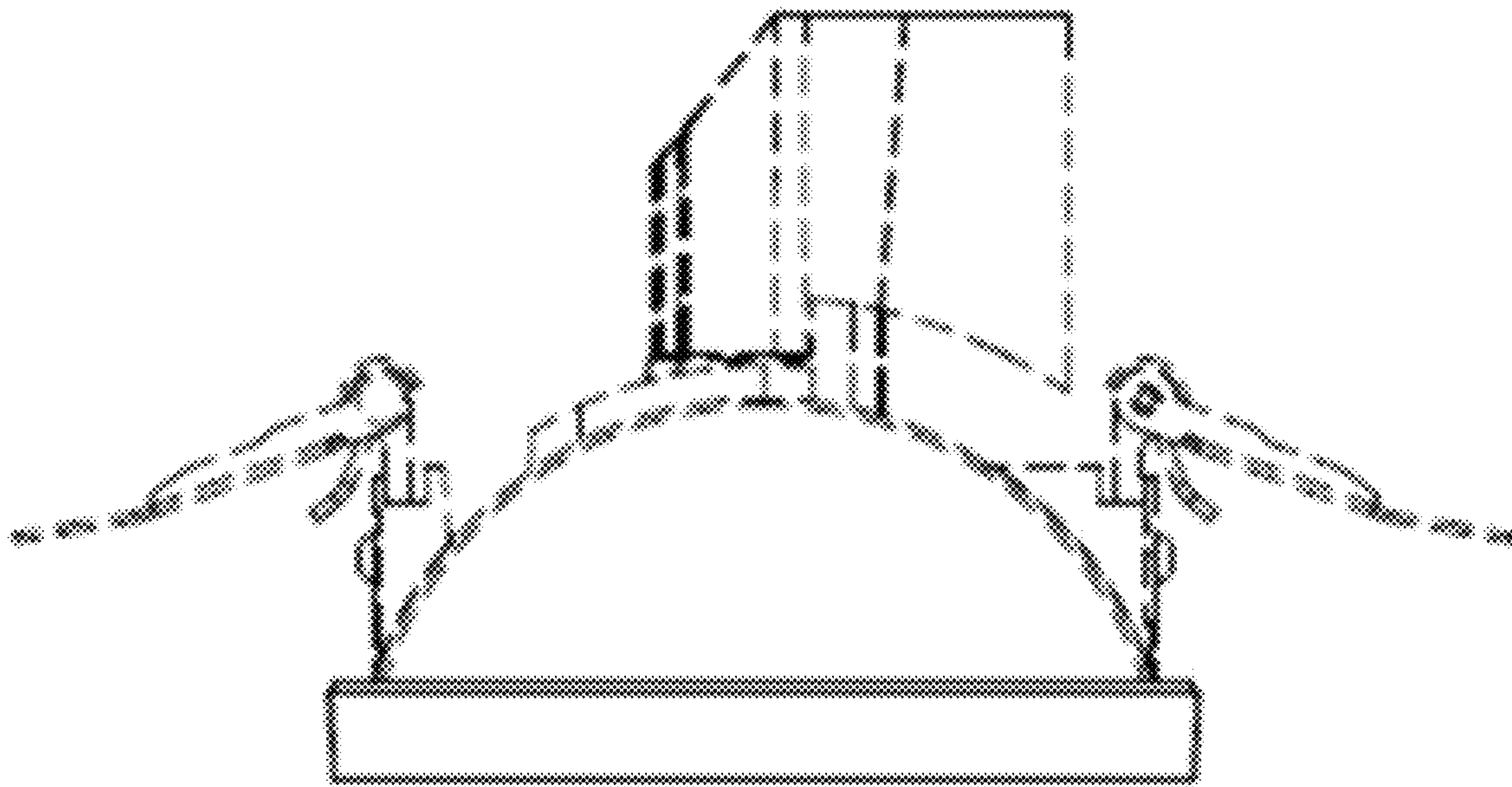


FIG. 2

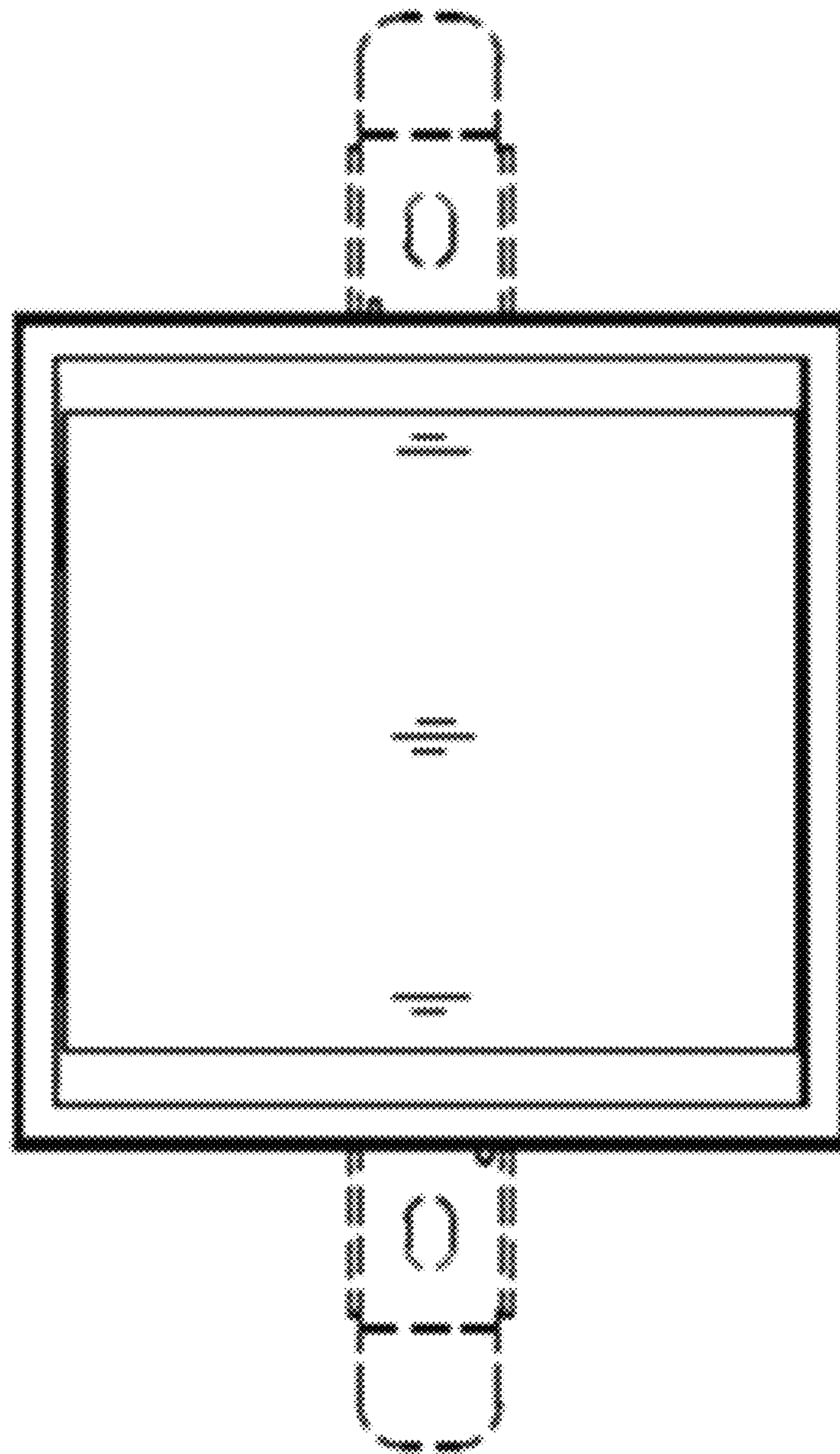


FIG. 3

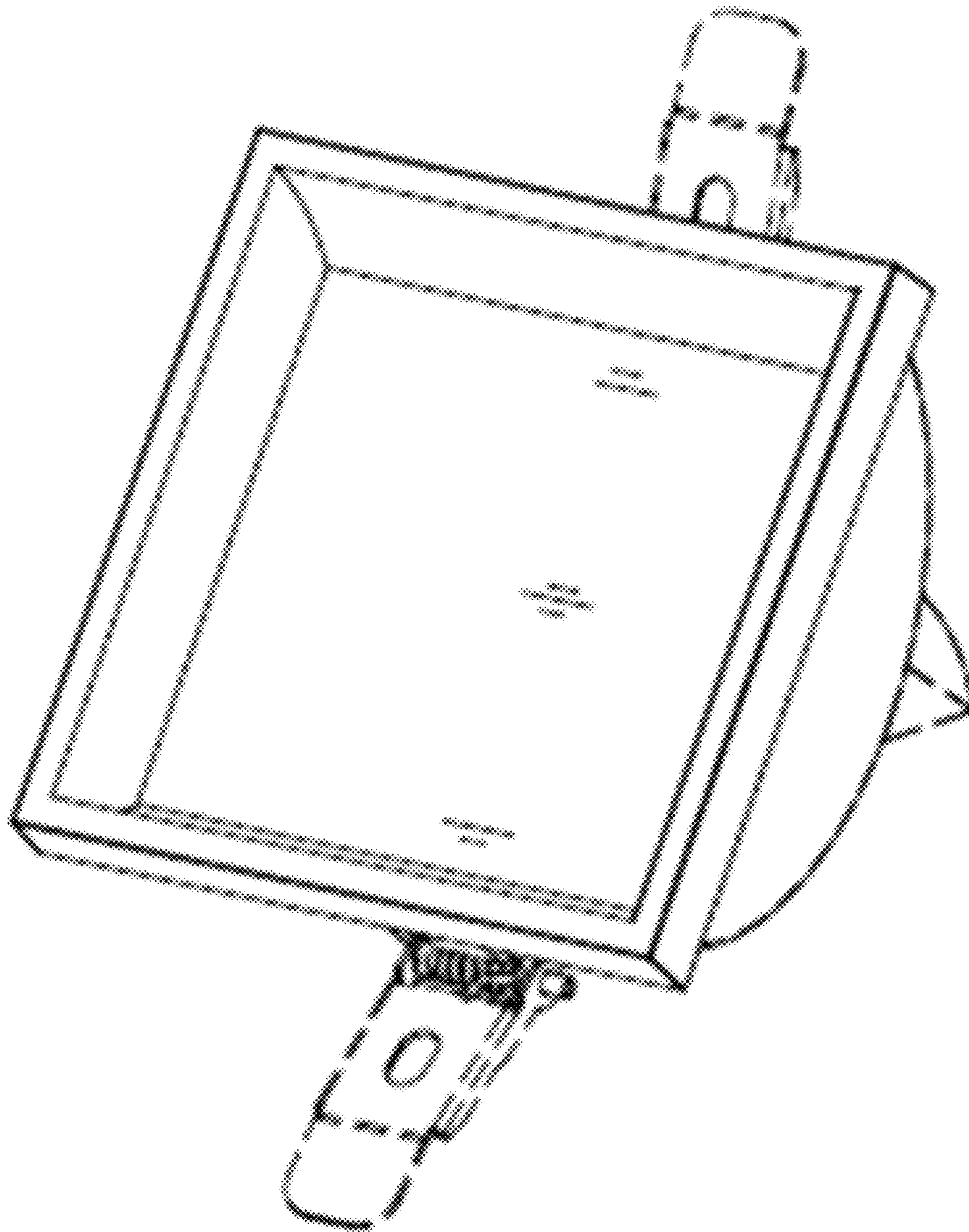


FIG. 4

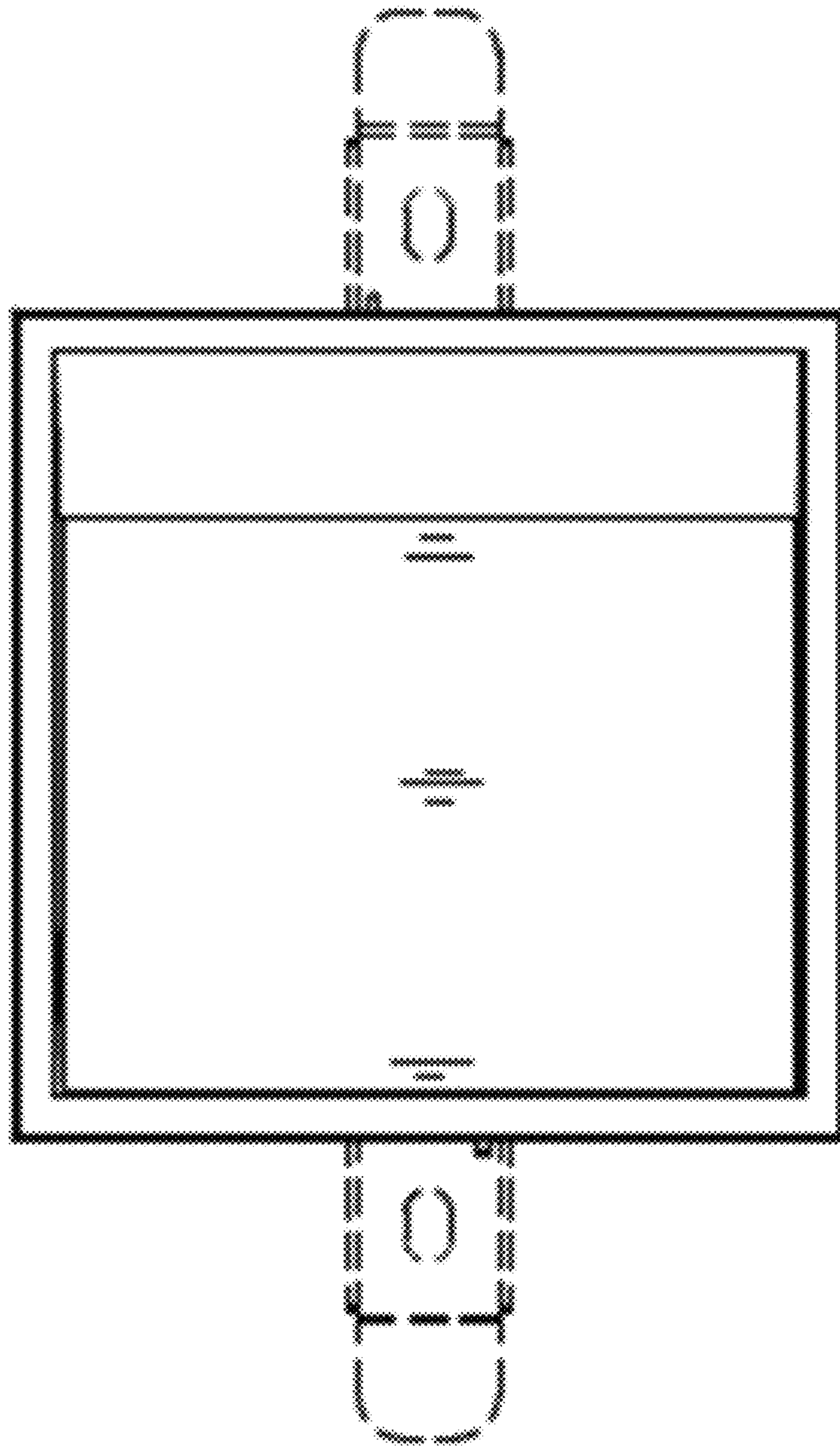


FIG. 5

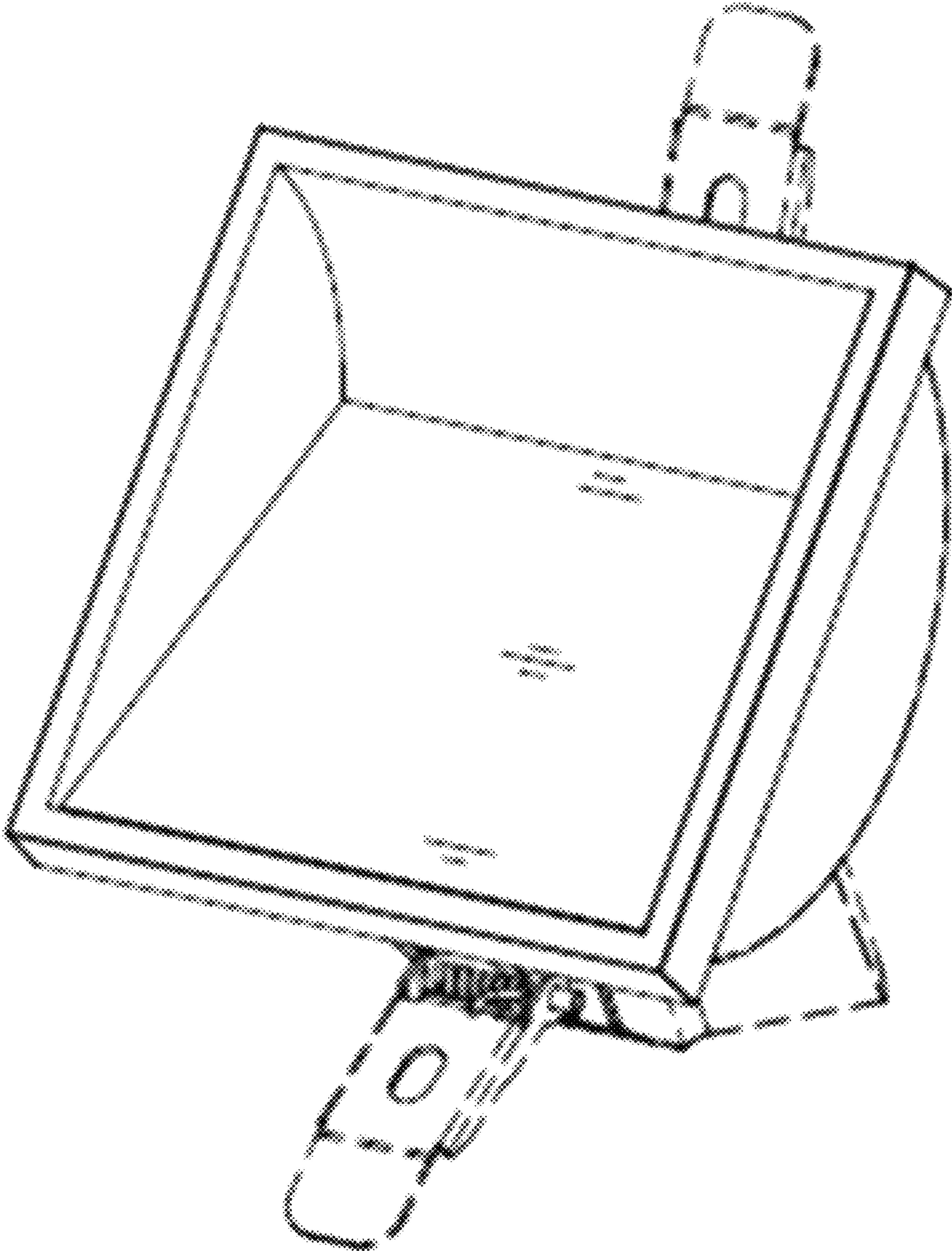


FIG. 6