



US00D870945S

(12) **United States Design Patent** (10) **Patent No.:** **US D870,945 S**
Jaeger (45) **Date of Patent:** **** Dec. 24, 2019**

(54) **SOLAR LIGHT**

(71) Applicant: **SOLAR ECO SYSTEMS**, Sharjah (AE)

(72) Inventor: **Peter Jaeger**, Sharjah (AE)

(73) Assignee: **SOLAR ECO SYSTEMS**, Sharjah (AE)

(**) Term: **15 Years**

(21) Appl. No.: **29/590,643**

(22) Filed: **Jan. 12, 2017**

(30) **Foreign Application Priority Data**

Jul. 26, 2016 (IN) 285546

(51) **LOC (12) Cl.** **26-05**

(52) **U.S. Cl.**
USPC **D26/68**

(58) **Field of Classification Search**
USPC D10/111, 113.1, 113.2, 114.2, 114.6;
D25/126, 127, 129; D26/60, 61, 63,
D26/65-70, 82, 92

(Continued)

(56) **References Cited**

U.S. PATENT DOCUMENTS

D91,222 S * 12/1933 Tuck D26/68
D153,247 S * 3/1949 Winters D25/128

(Continued)

FOREIGN PATENT DOCUMENTS

AE D355/2008 9/2012
AE D196/2009 1/2014

(Continued)

OTHER PUBLICATIONS

Noor Solar light (available online) Retrieved from the internet Aug. 26, 2018 from URL: <https://www.solar-ses.com/ses-products>.*

Primary Examiner — Kevin K Rudzinski

Assistant Examiner — Richard Kearney

(74) *Attorney, Agent, or Firm* — Mark M. Friedman

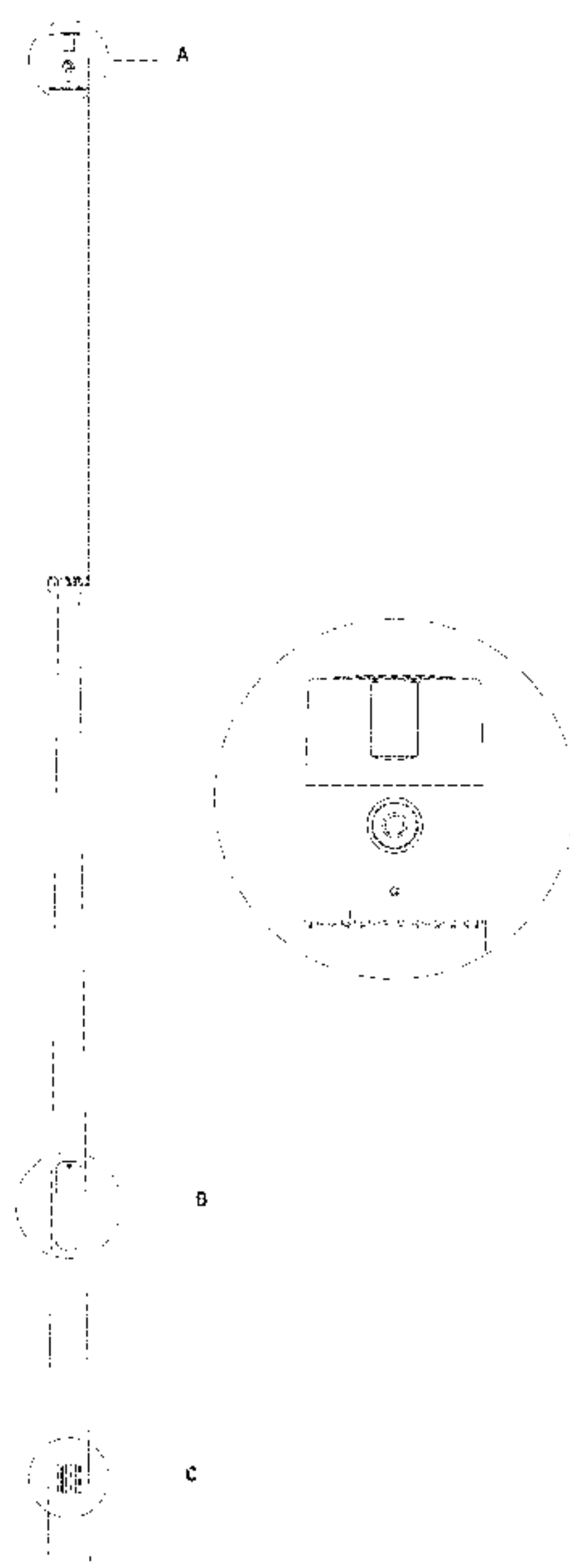
(57) **CLAIM**

The ornamental design for a solar light, as shown and described.

DESCRIPTION

FIG. 1 is a front view of a solar light showing my design; FIG. 2 is a left side view thereof; FIG. 3 is a right side view thereof; FIG. 4 is a rear view thereof; FIG. 5 is a top view thereof; FIG. 6 is a bottom view thereof; FIG. 7 is an enlarged view of detail A taken from FIG. 1; FIG. 8 is an enlarged view of detail B taken from FIG. 1; FIG. 9 is an enlarged view of detail C taken from FIG. 1; FIG. 10 is an enlarged view of detail D taken from FIG. 2; FIG. 11 is an enlarged view of detail E taken from FIG. 2; FIG. 12 is an enlarged view of detail F taken from FIG. 2; FIG. 13 is an enlarged view of detail G taken from FIG. 3; FIG. 14 is an enlarged view of detail H taken from FIG. 3; FIG. 15 is an enlarged view of detail I taken from FIG. 3; FIG. 16 is an enlarged view of detail J taken from FIG. 4; and, FIG. 17 is an enlarged view of detail K taken from FIG. 5. The broken lines encircling and referencing enlargements and the broken lines illustrating portions of the solar light form no part of the claimed design.

1 Claim, 11 Drawing Sheets



(58) **Field of Classification Search**

CPC F21S 9/03; F21S 9/035; F21S 9/04; F21S
 9/043; F21S 13/10; F21S 13/12; F21S
 8/12; F21S 8/032; F21S 8/08; F21S
 8/083; F21S 8/085; F21S 8/086; F21S
 8/088

See application file for complete search history.

(56) **References Cited**

U.S. PATENT DOCUMENTS

D186,620 S * 11/1959 Wittie D16/130
 2,976,399 A * 3/1961 Christy F21S 8/081
 362/221
 D223,633 S * 5/1972 Selden D25/128
 D322,584 S * 12/1991 Kawashima D10/114.6
 D328,442 S * 8/1992 Sloan D10/109.1
 D357,988 S * 5/1995 Sosa D25/126
 D381,057 S * 7/1997 Strawcutter D21/814
 D475,153 S * 5/2003 Brunner D26/67
 D488,084 S * 4/2004 Cooper D10/115
 D495,445 S * 8/2004 Cooper D26/67

D560,825 S * 1/2008 Hughes D25/126
 D575,183 S * 8/2008 Seitz D10/111
 D583,487 S * 12/2008 Hackett D25/126
 D604,866 S * 11/2009 Randazzo D25/126
 D615,684 S * 5/2010 Chen D26/68
 D620,171 S 7/2010 Pauschitz
 D621,529 S * 8/2010 Paige D25/126
 D638,974 S * 5/2011 Fuksas D26/68
 D667,980 S * 9/2012 Kim D26/63
 D696,805 S * 12/2013 Duquette D26/68
 D778,480 S * 2/2017 Galloppa D26/68
 D778,481 S * 2/2017 Galloppa D26/68
 D784,590 S * 4/2017 Galipeau D26/68
 D797,337 S * 9/2017 Dai D26/63
 D799,096 S * 10/2017 Bao D26/65

FOREIGN PATENT DOCUMENTS

EM	00869771	1/2008
EM	001060735	12/2008
EP	2071635	6/2009
IL	46268	6/2009
IL	47845	11/2009

* cited by examiner

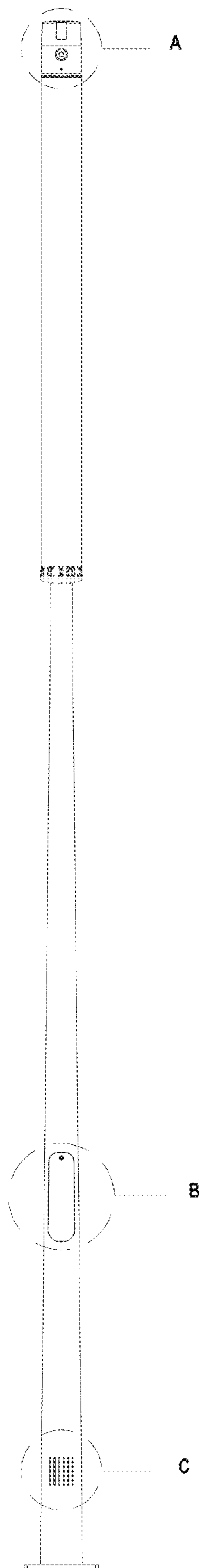


FIG.1

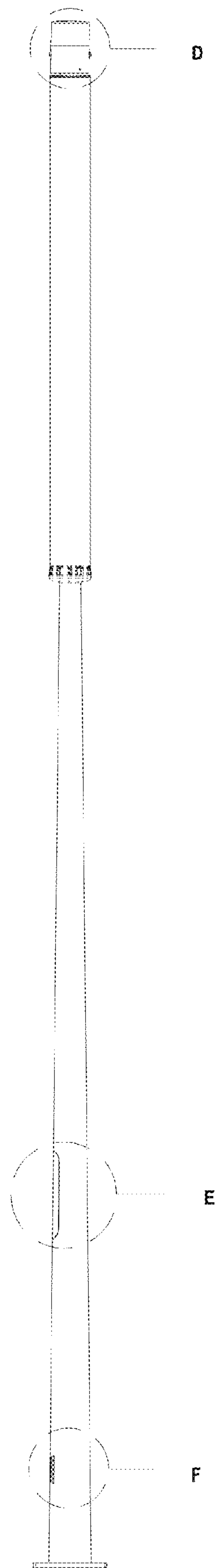
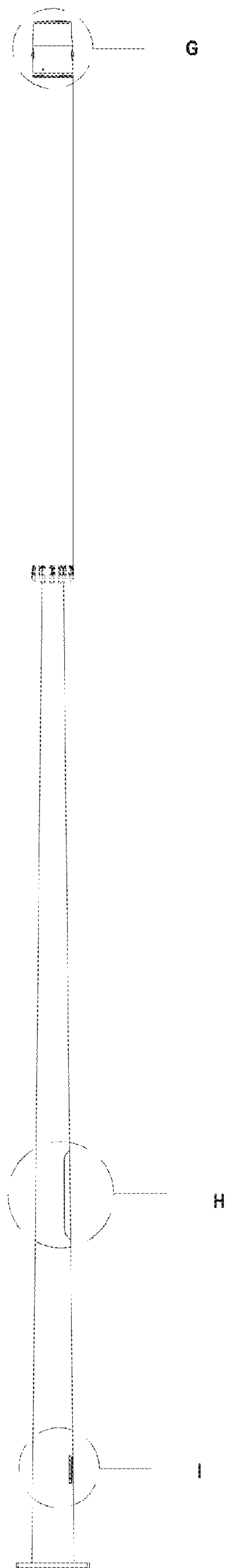


FIG.2

FIG.3



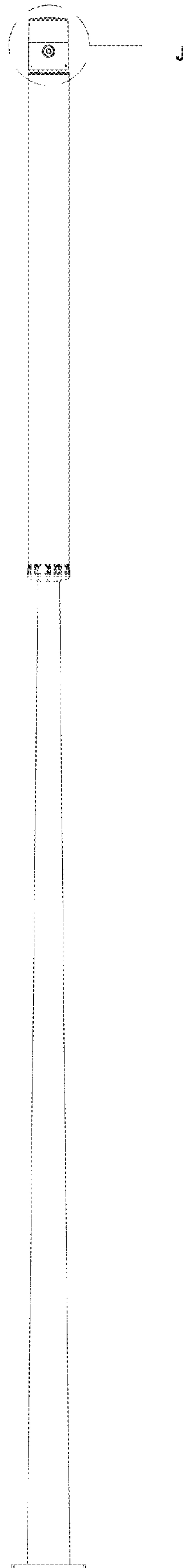


FIG.4

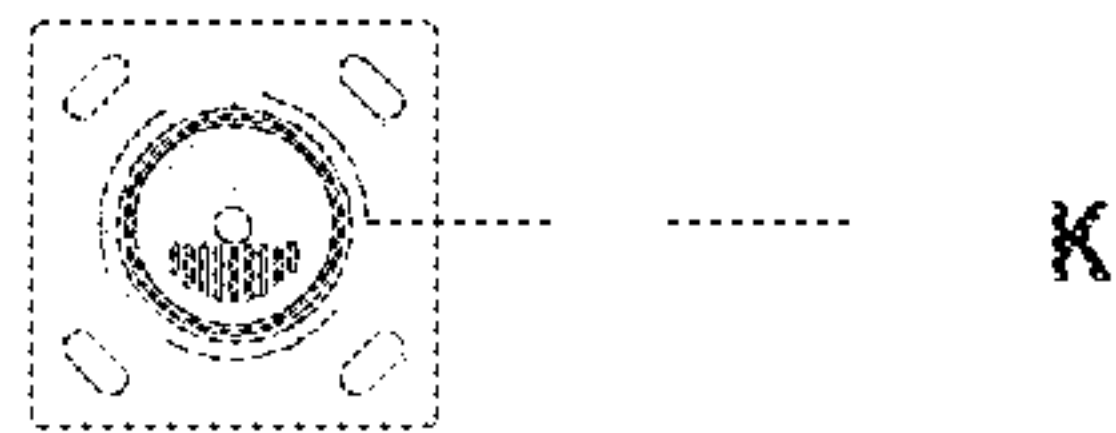


FIG.5

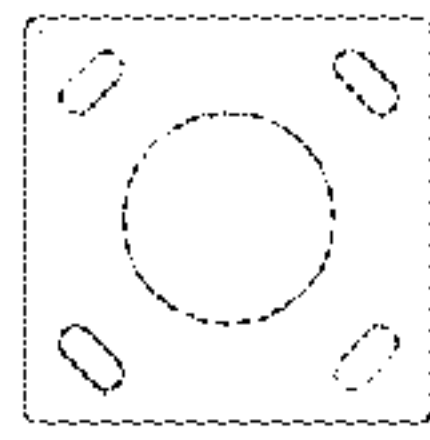


FIG.6

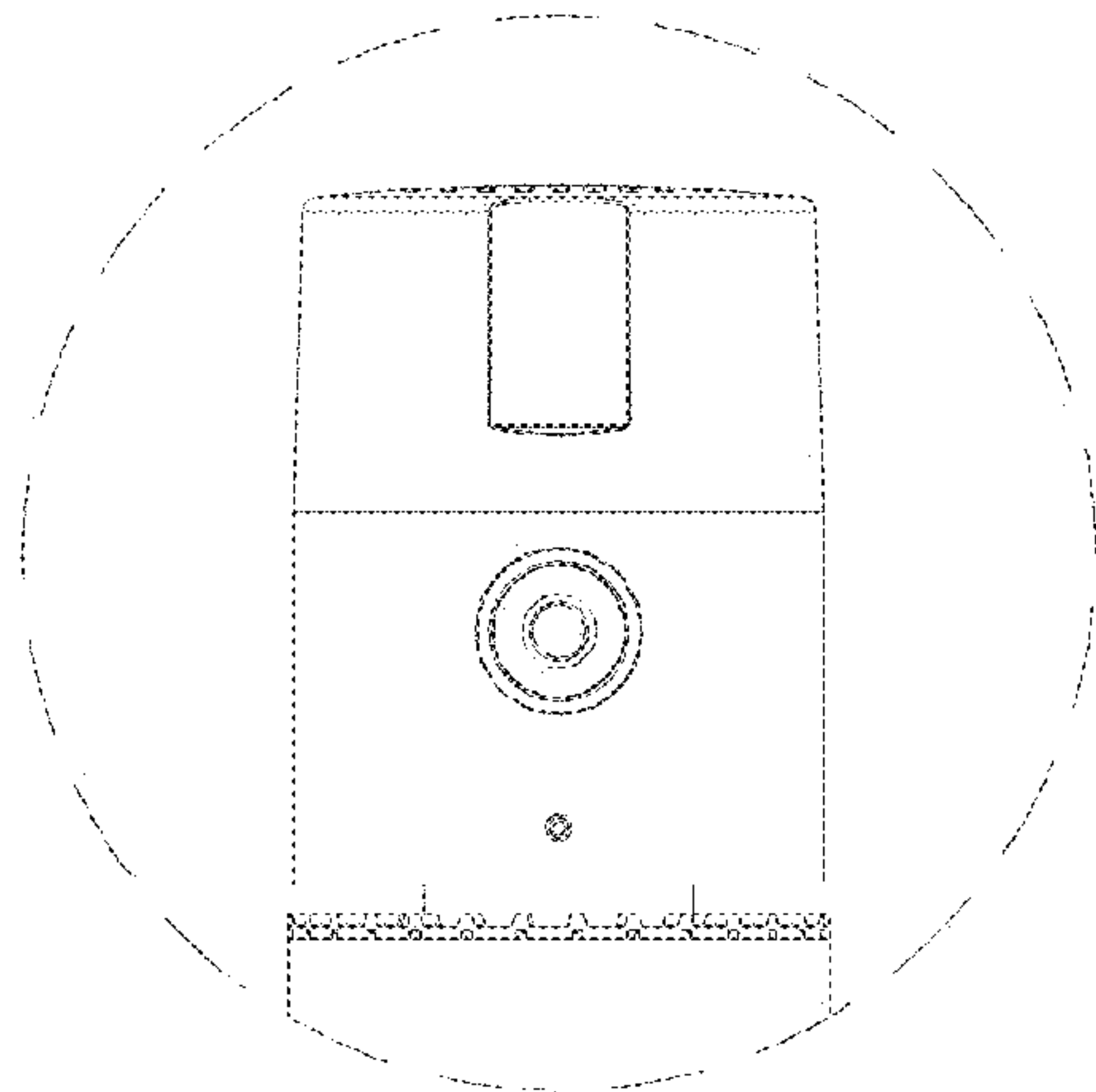


Fig.7

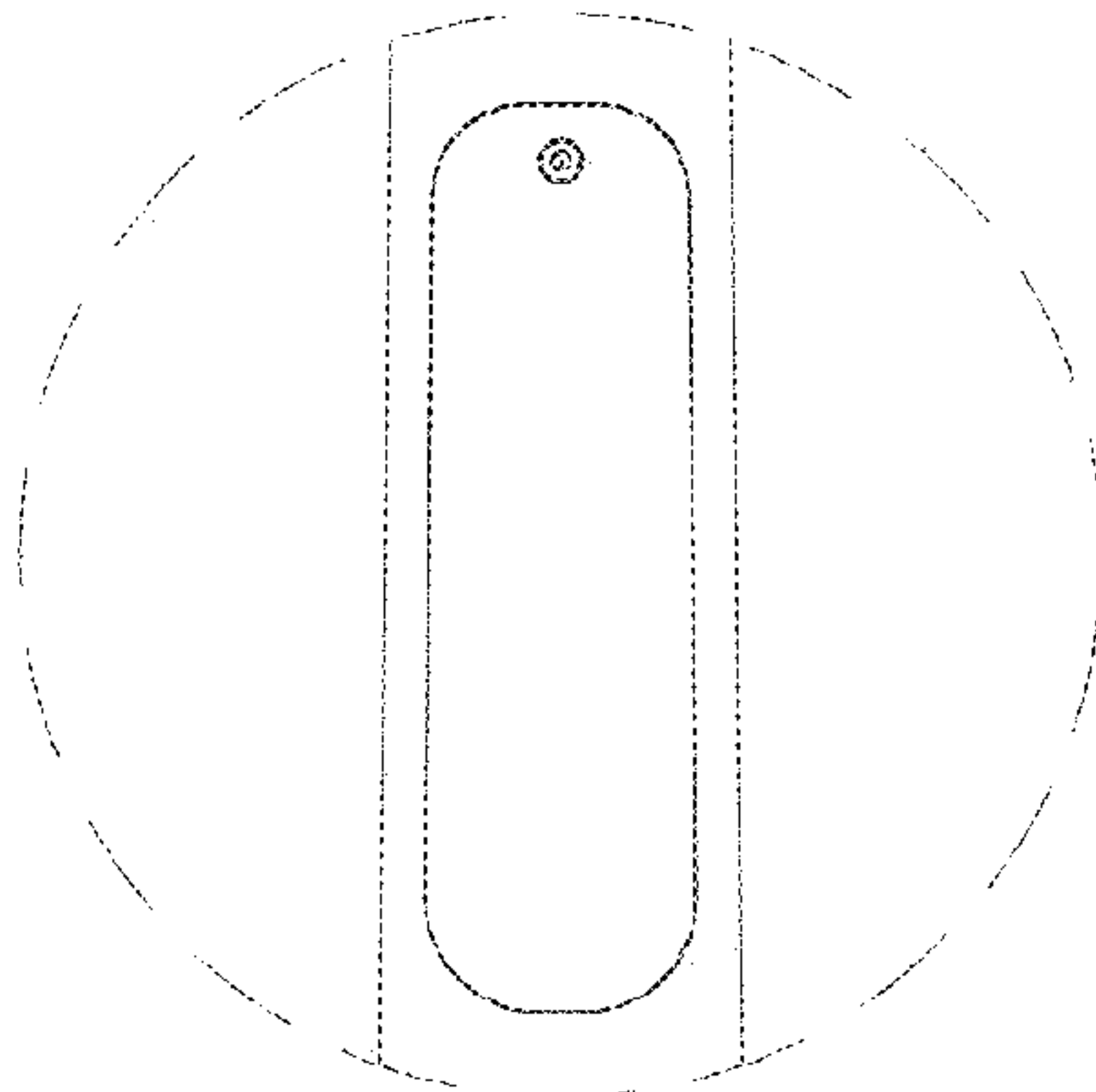


Fig.8

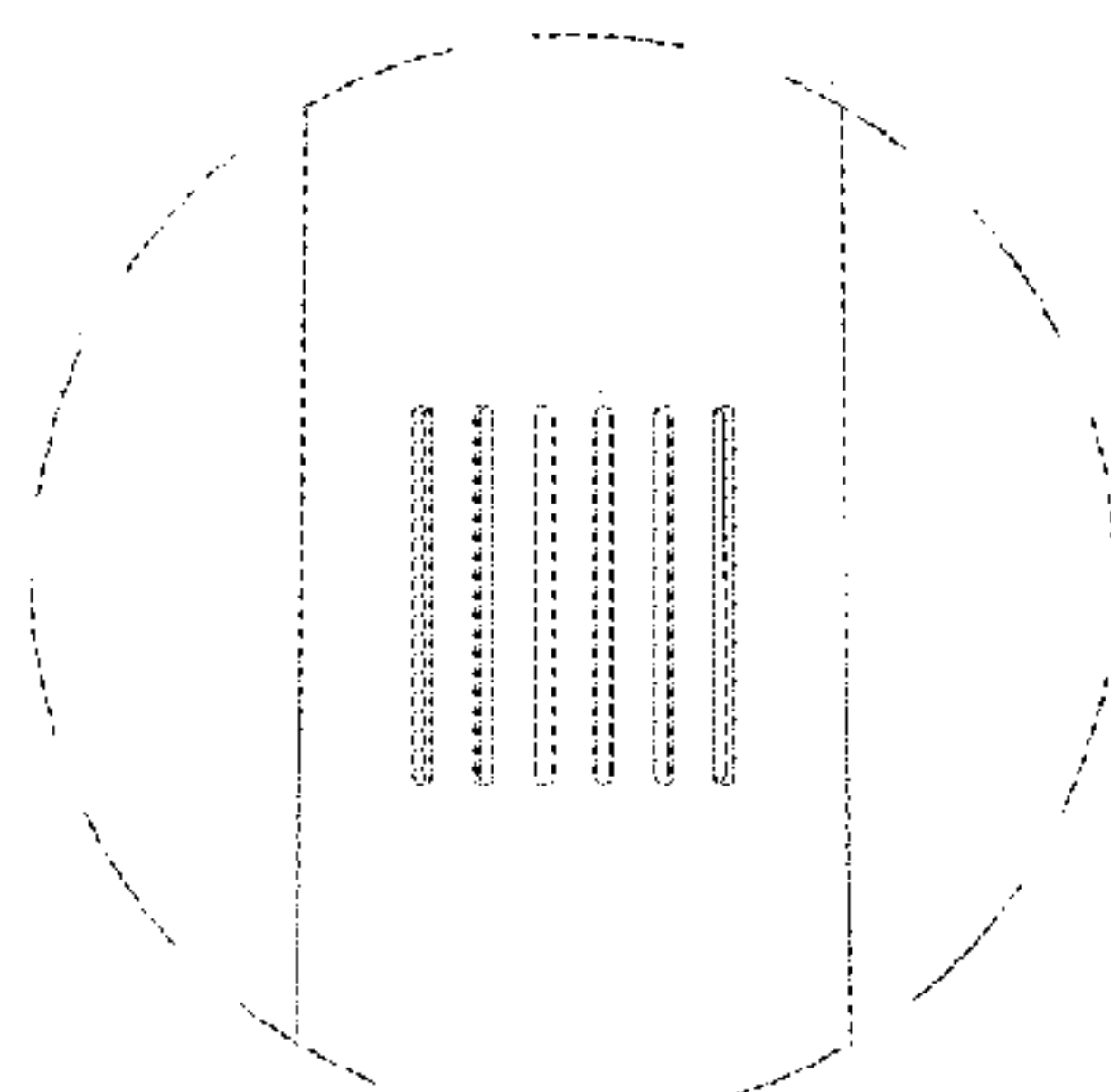


Fig.9

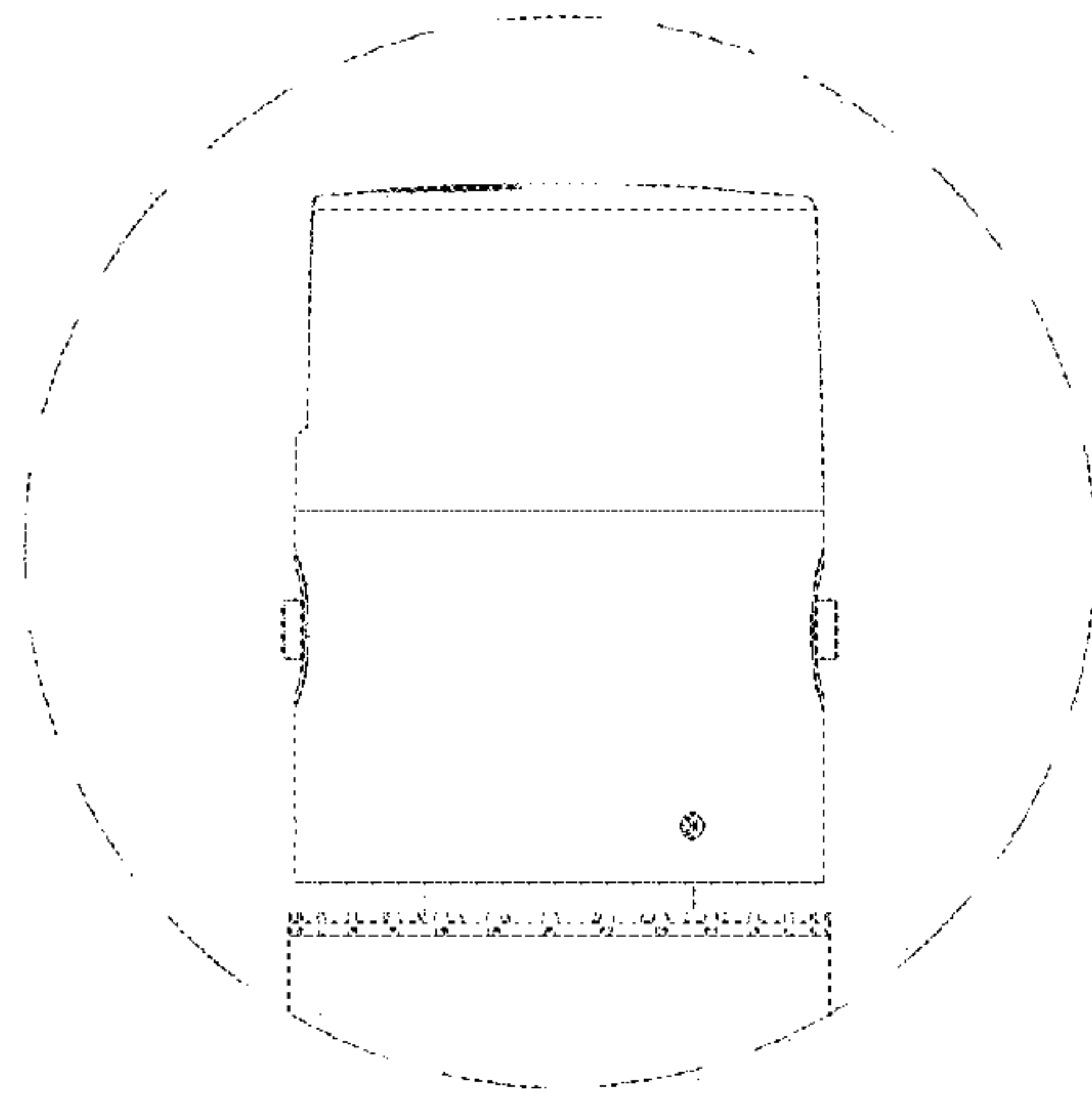


Fig.10

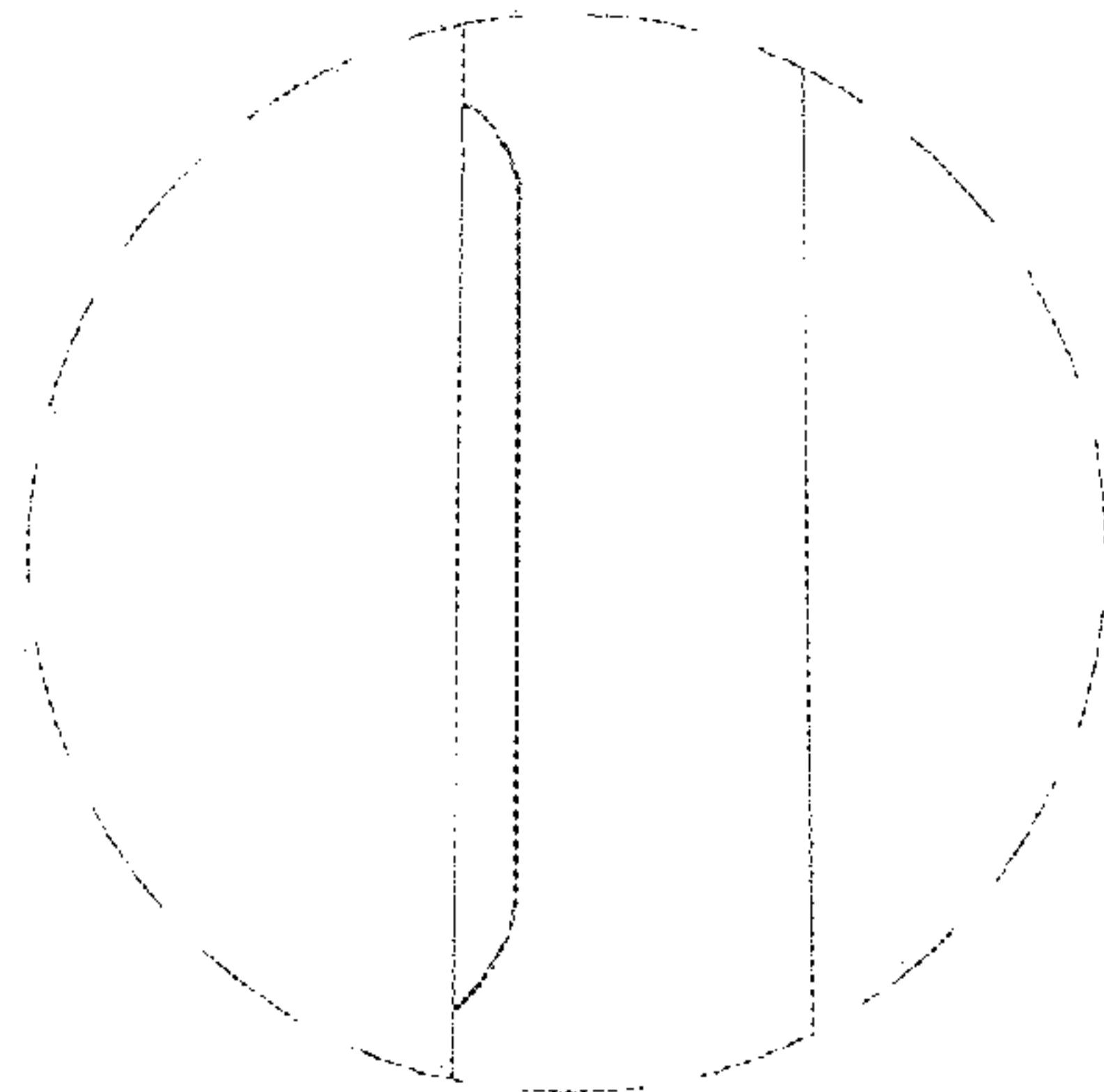


Fig.11

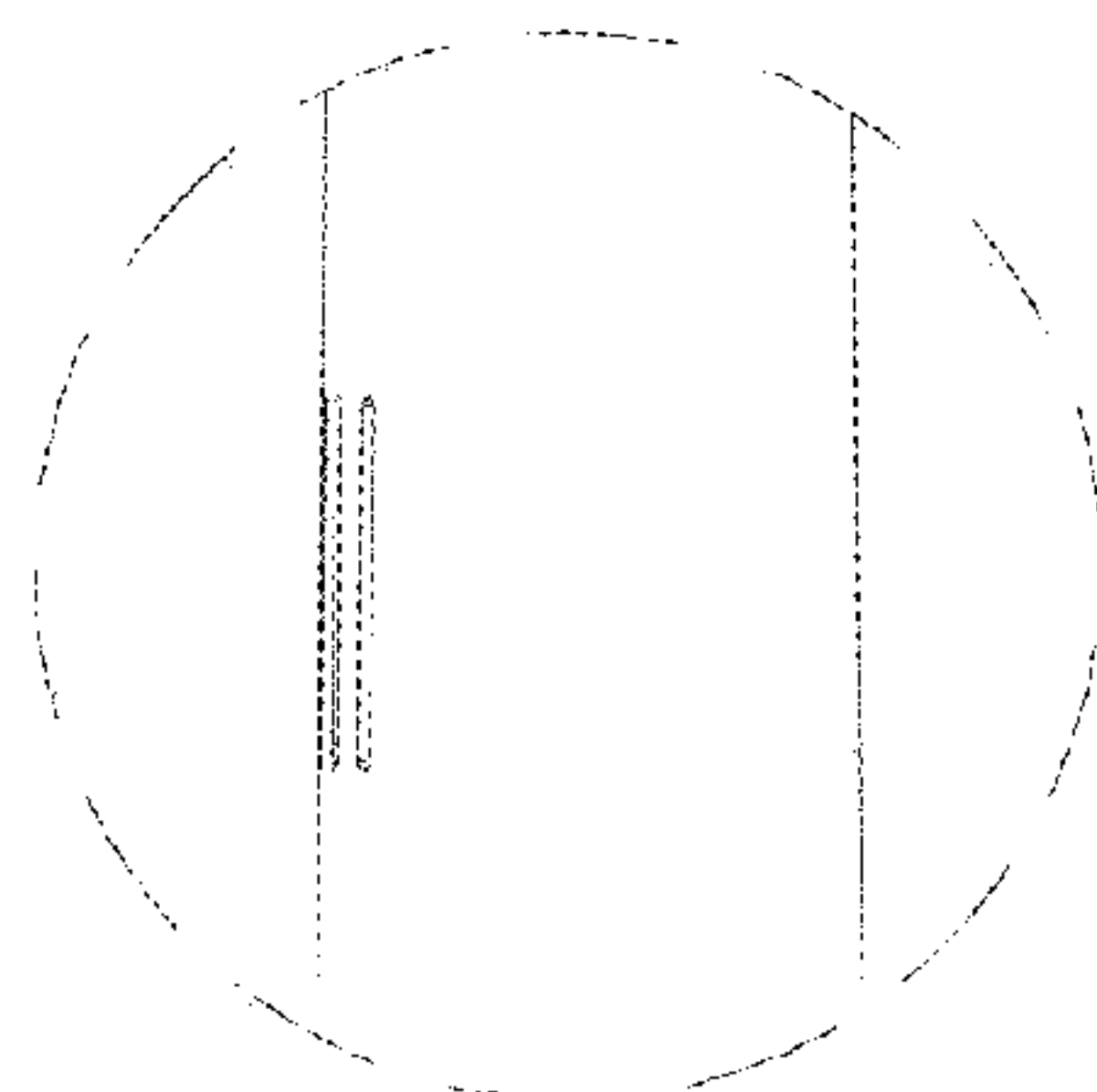


Fig.12

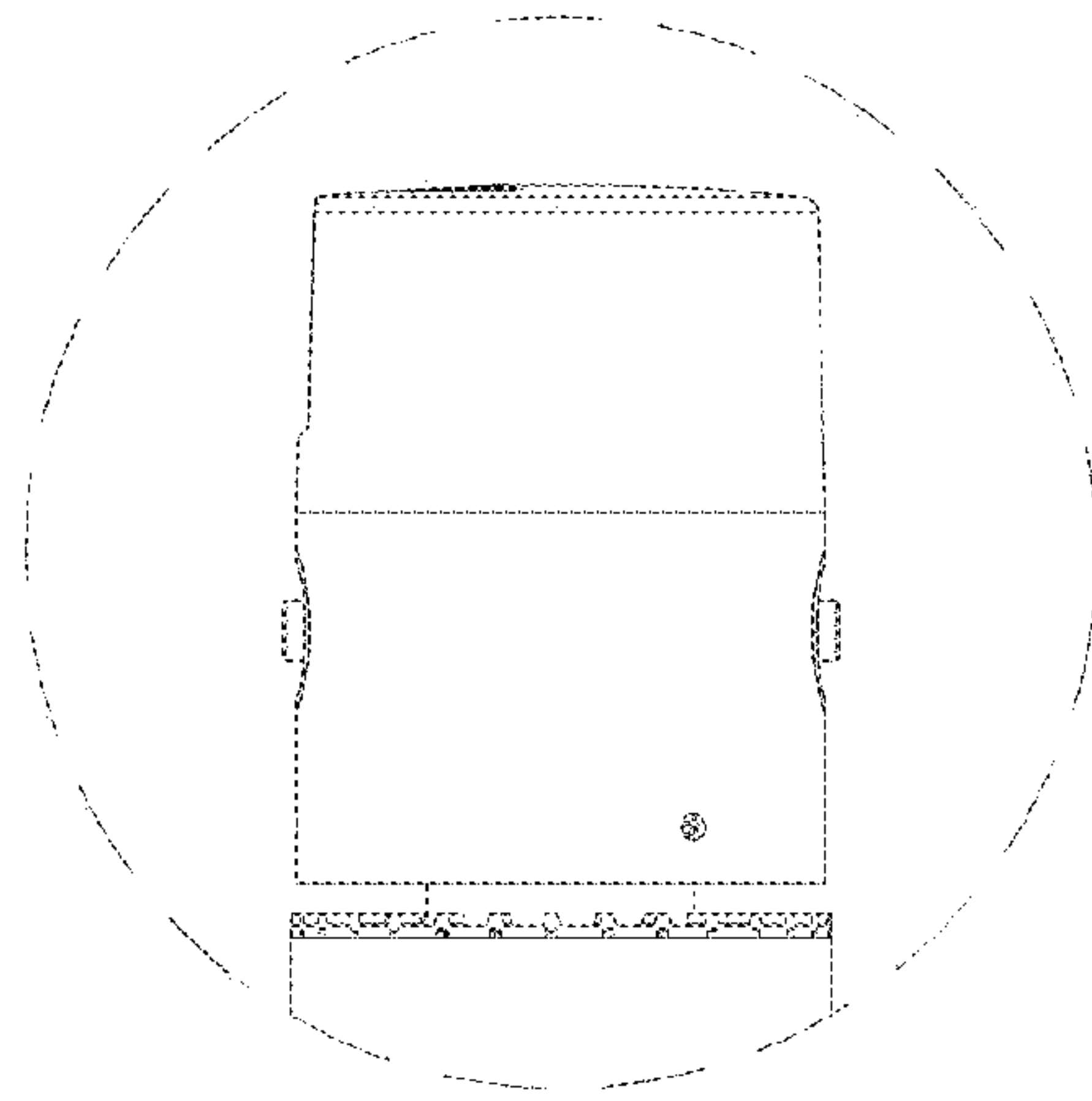


Fig.13

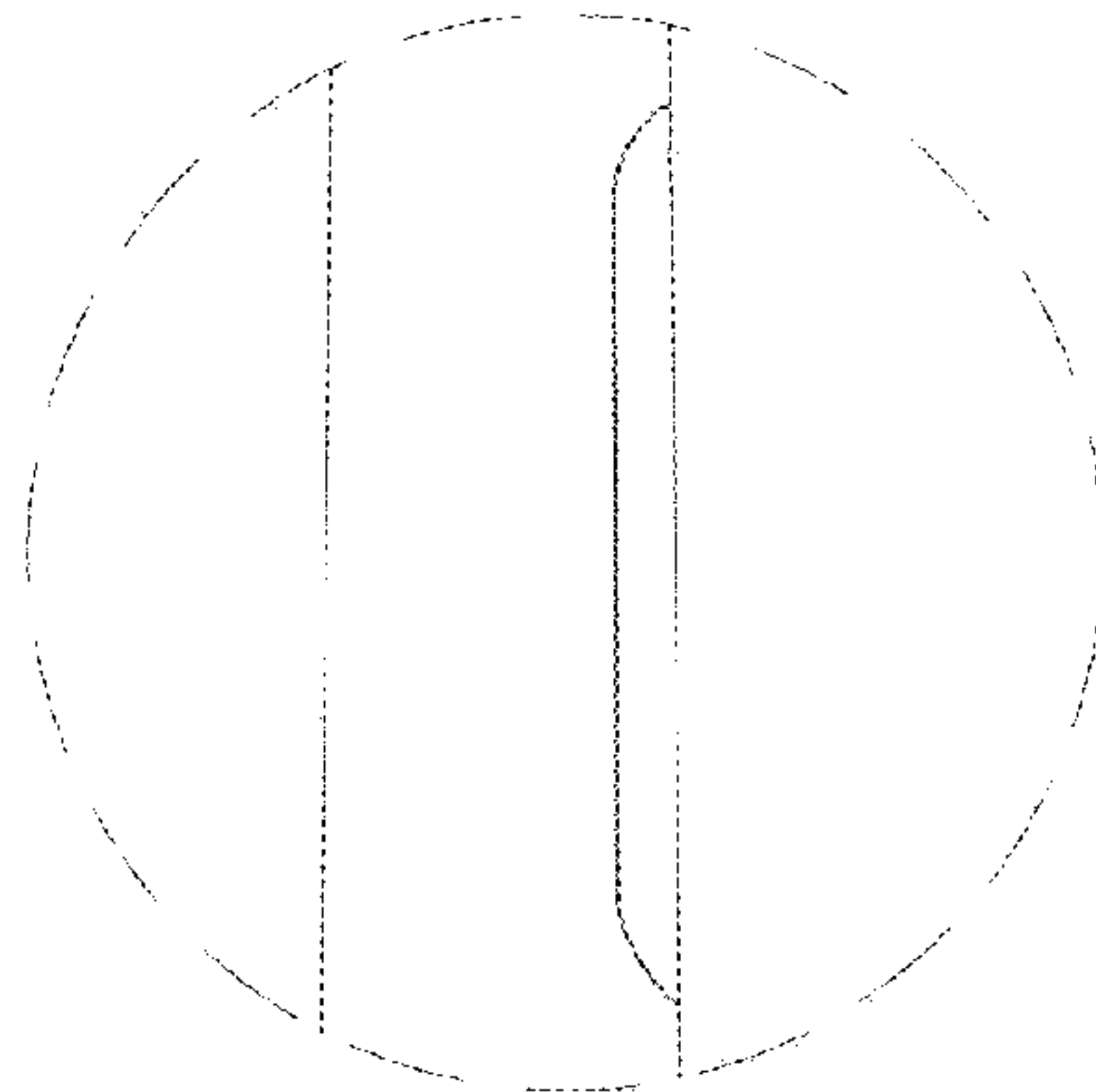


Fig.14

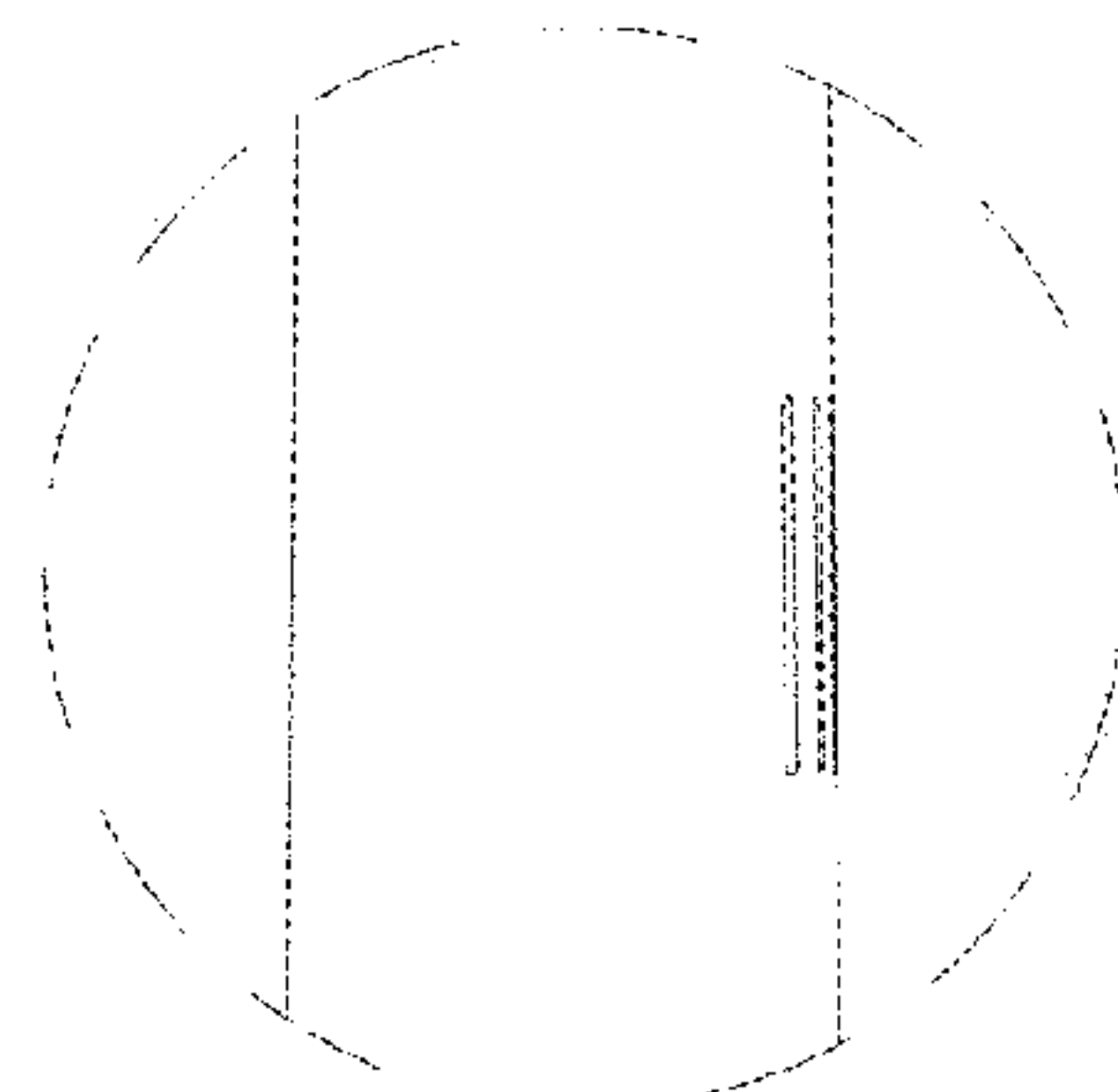


Fig.15

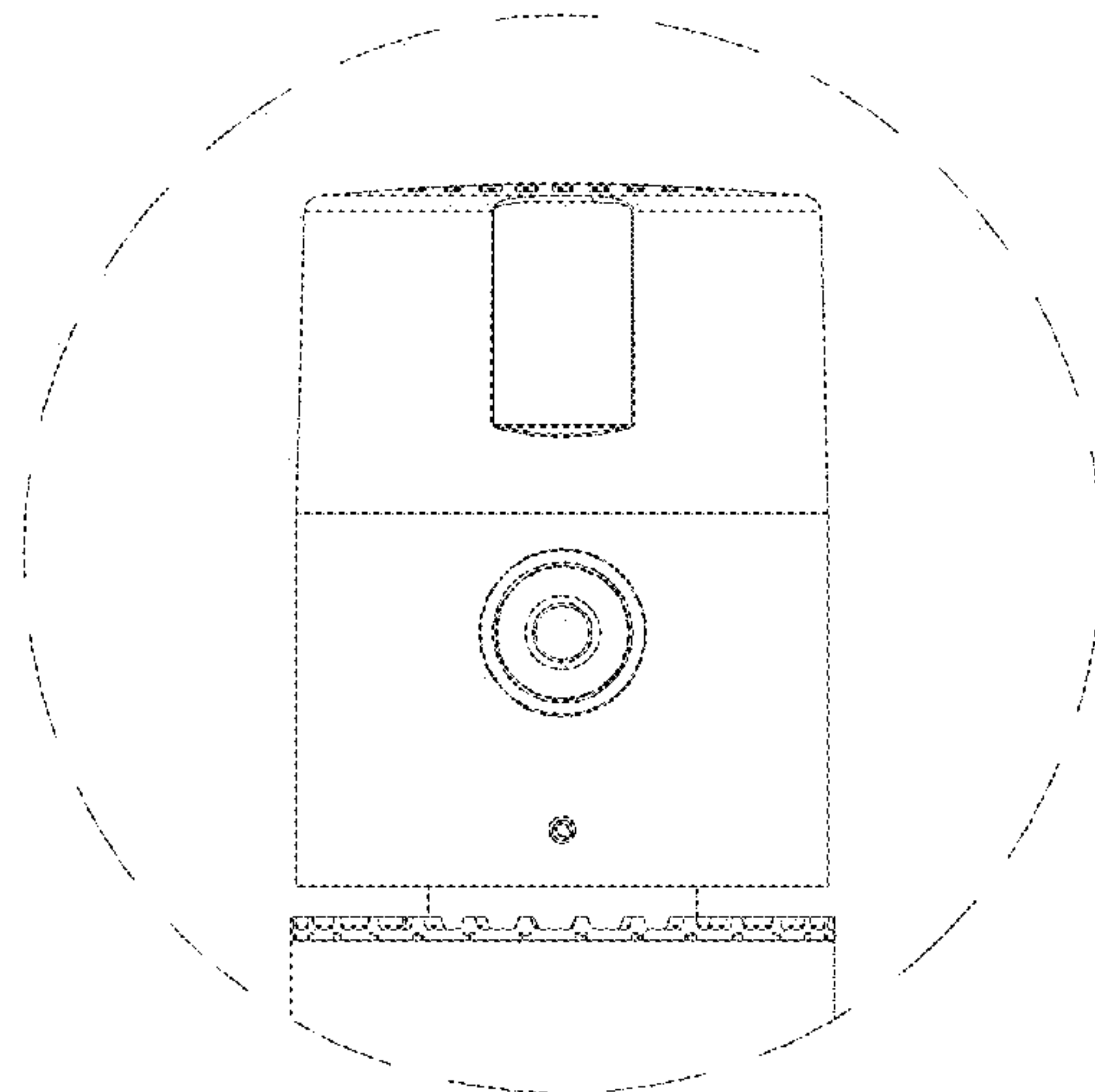


Fig.16

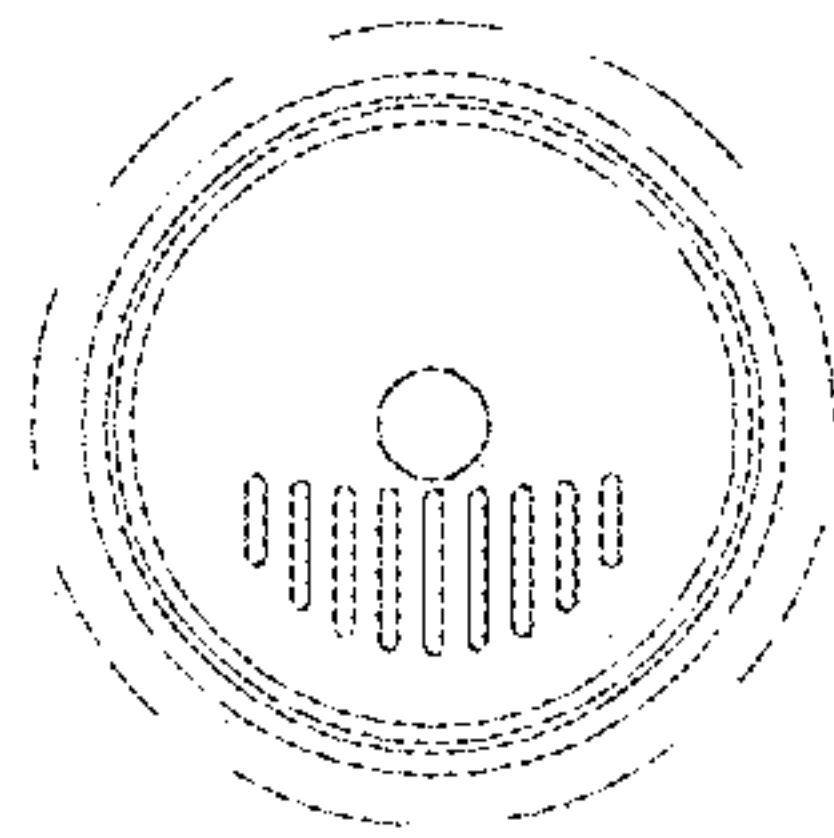


Fig.17