



US00D870944S

(12) **United States Design Patent**
Niswonger

(10) **Patent No.:** **US D870,944 S**

(45) **Date of Patent:** **** Dec. 24, 2019**

(54) **GOLF CUP FLAG SOLAR LIGHT**

(71) Applicant: **John O. H. Niswonger**, Agoura Hills,
CA (US)

(72) Inventor: **John O. H. Niswonger**, Agoura Hills,
CA (US)

(**) Term: **15 Years**

(21) Appl. No.: **29/686,702**

(22) Filed: **Apr. 5, 2019**

(51) **LOC (12) Cl.** **26-05**

(52) **U.S. Cl.**
USPC **D26/67**

(58) **Field of Classification Search**
USPC D26/67-70, 104; D25/135; D21/759
CPC .. F21S 8/081; F21S 8/083; F21S 8/088; F21S
8/032; F21S 9/037; F21V 3/023; F21V
21/0824; F21V 7/045; F21V 33/008;
F21W 2111/023; F21W 2131/109
See application file for complete search history.

(56) **References Cited**

U.S. PATENT DOCUMENTS

3,191,022	A *	6/1965	Wince	F21S 8/088 362/309
D211,278	S *	6/1968	Bobrick	D26/68
3,584,228	A *	6/1971	Kenyon	H05B 37/0218 250/230
5,055,987	A *	10/1991	Ellson	F21S 8/081 362/145
D441,116	S *	4/2001	Sanoner	D26/68
D624,683	S *	9/2010	Liang	D26/68
D652,975	S *	1/2012	Harshaw	D26/67
D738,556	S *	9/2015	Macura	D26/67

D765,296	S *	8/2016	Wei	D26/60
D816,254	S *	4/2018	Zhang	D26/68
2004/0006848	A1 *	1/2004	Hsu	F21S 9/037 16/367
2013/0223049	A1 *	8/2013	Katsaros	F21S 9/037 362/183

OTHER PUBLICATIONS

Solar Flag-Pole Top Light from golfcourseproducts.com visited
Sep. 5, 2019. (Year: 2019).*

* cited by examiner

Primary Examiner — Clare E Heflin

(74) *Attorney, Agent, or Firm* — Ronald L. Rohde

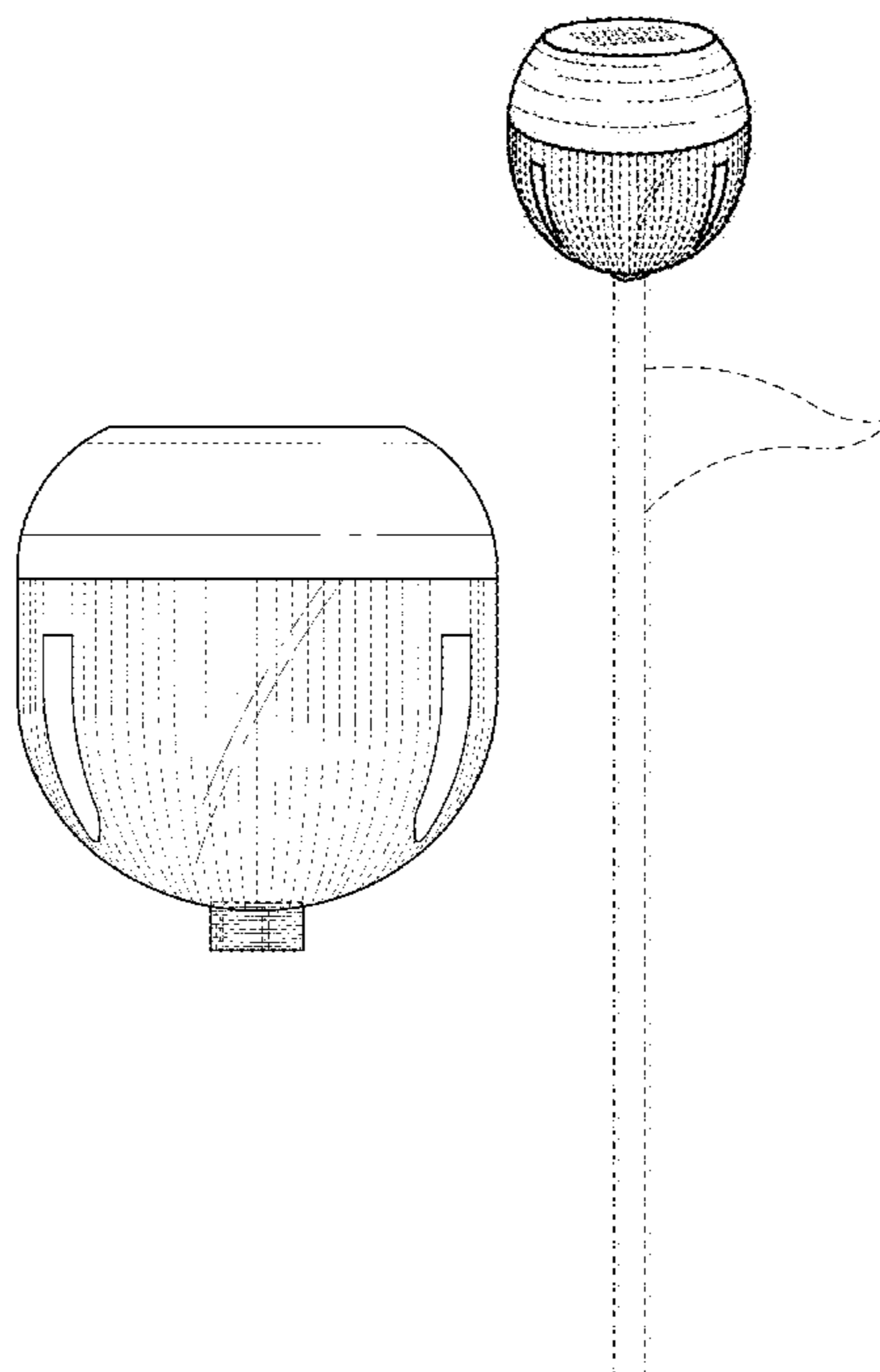
(57) **CLAIM**

The ornamental design for a golf cup flag solar light, as
shown and described.

DESCRIPTION

FIG. 1 is top perspective view of my new design for a golf
cup flag solar light;
FIG. 2 is a bottom perspective view thereof;
FIG. 3 is a front view thereof;
FIG. 4 is a rear view thereof;
FIG. 5 is a right side view thereof;
FIG. 6 is a left side view thereof;
FIG. 7 is a bottom view thereof;
FIG. 8 is a top view thereof; and,
FIG. 9 is a top perspective view in-use thereof including an
inserted flag pole.
The portions of the article shown in broken lines represent
unclaimed portions of the article and form no part of the
claimed design.

1 Claim, 5 Drawing Sheets



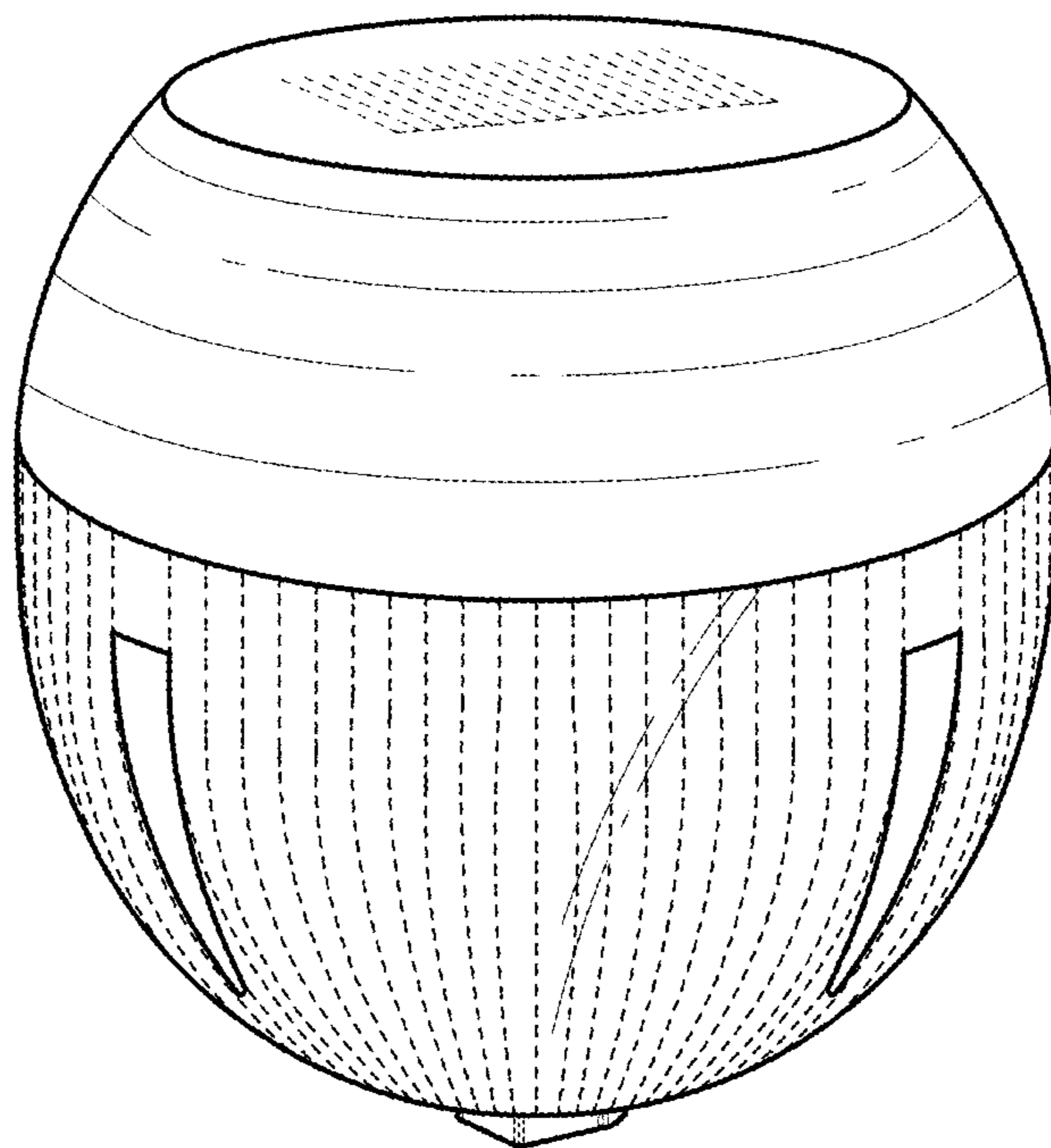


FIG. 1

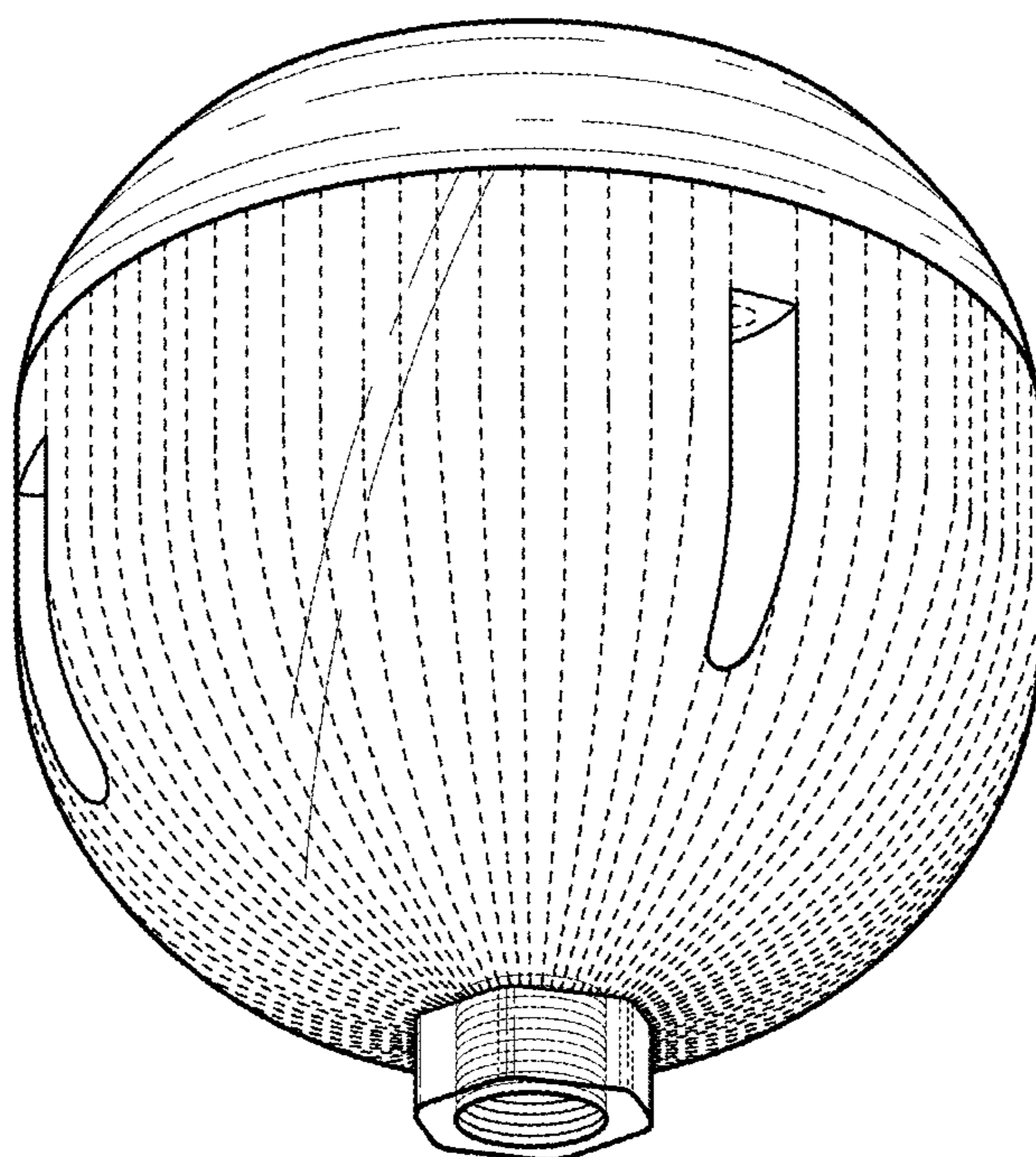


FIG. 2

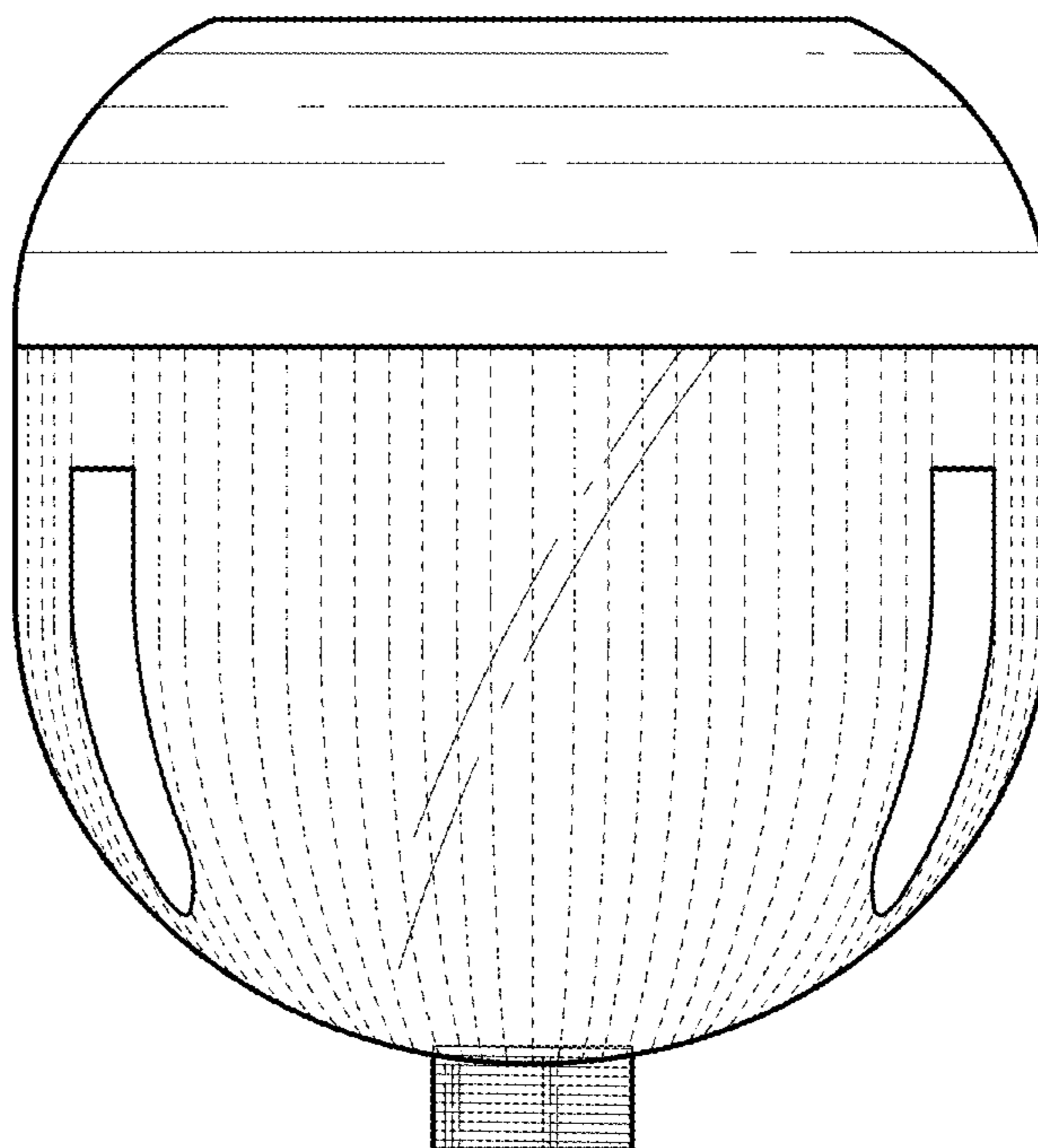


FIG. 3

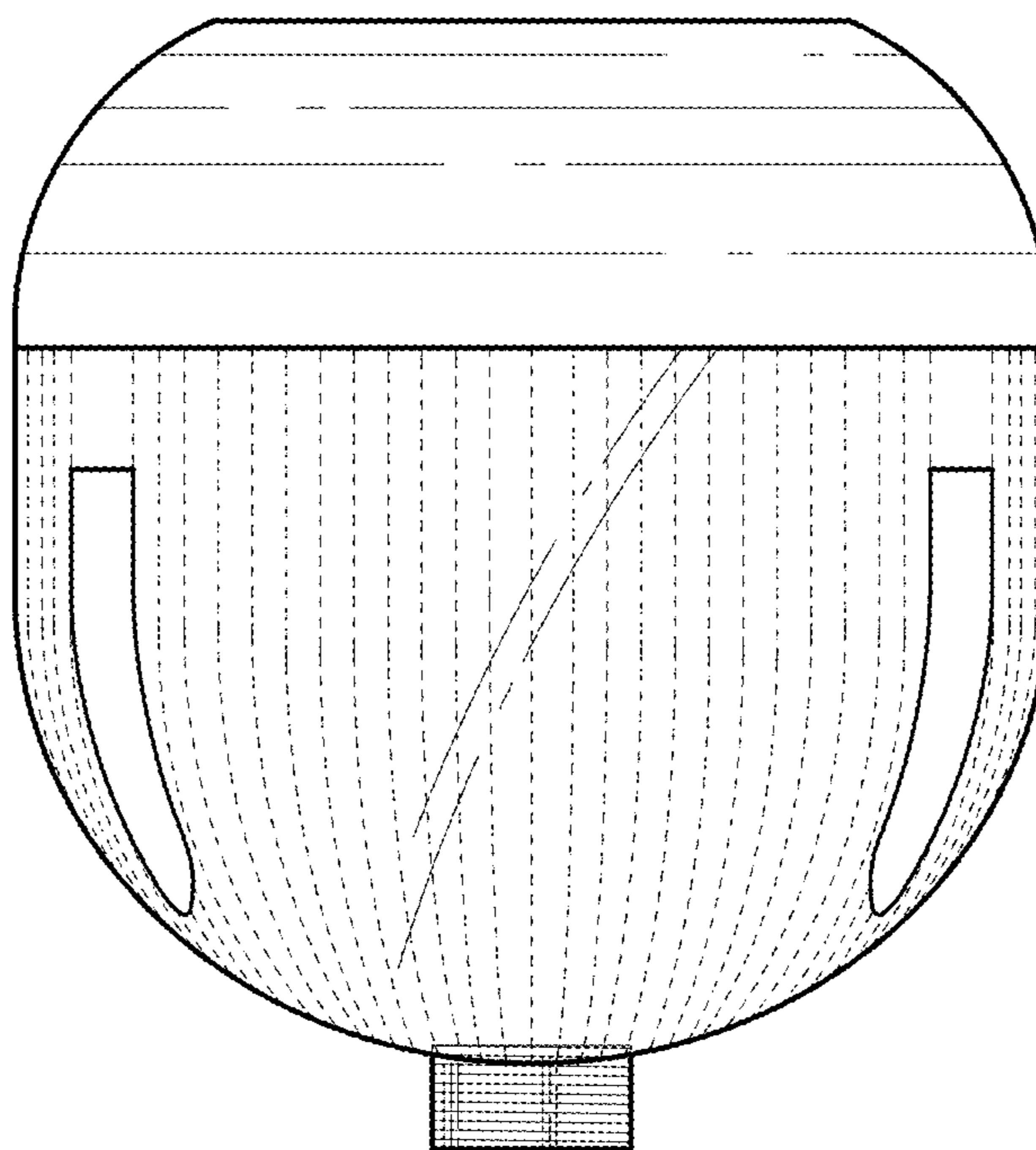


FIG. 4

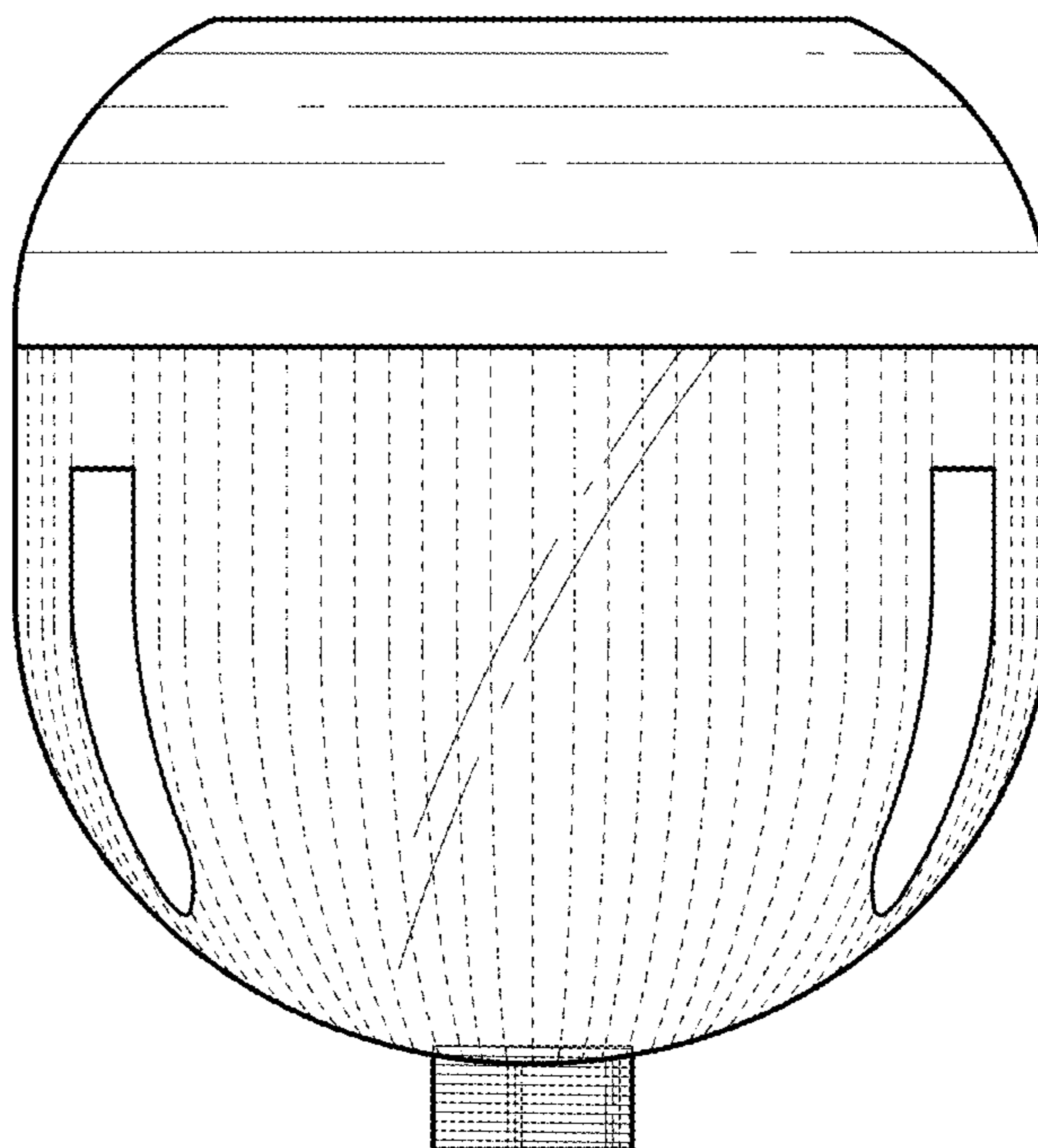


FIG. 5

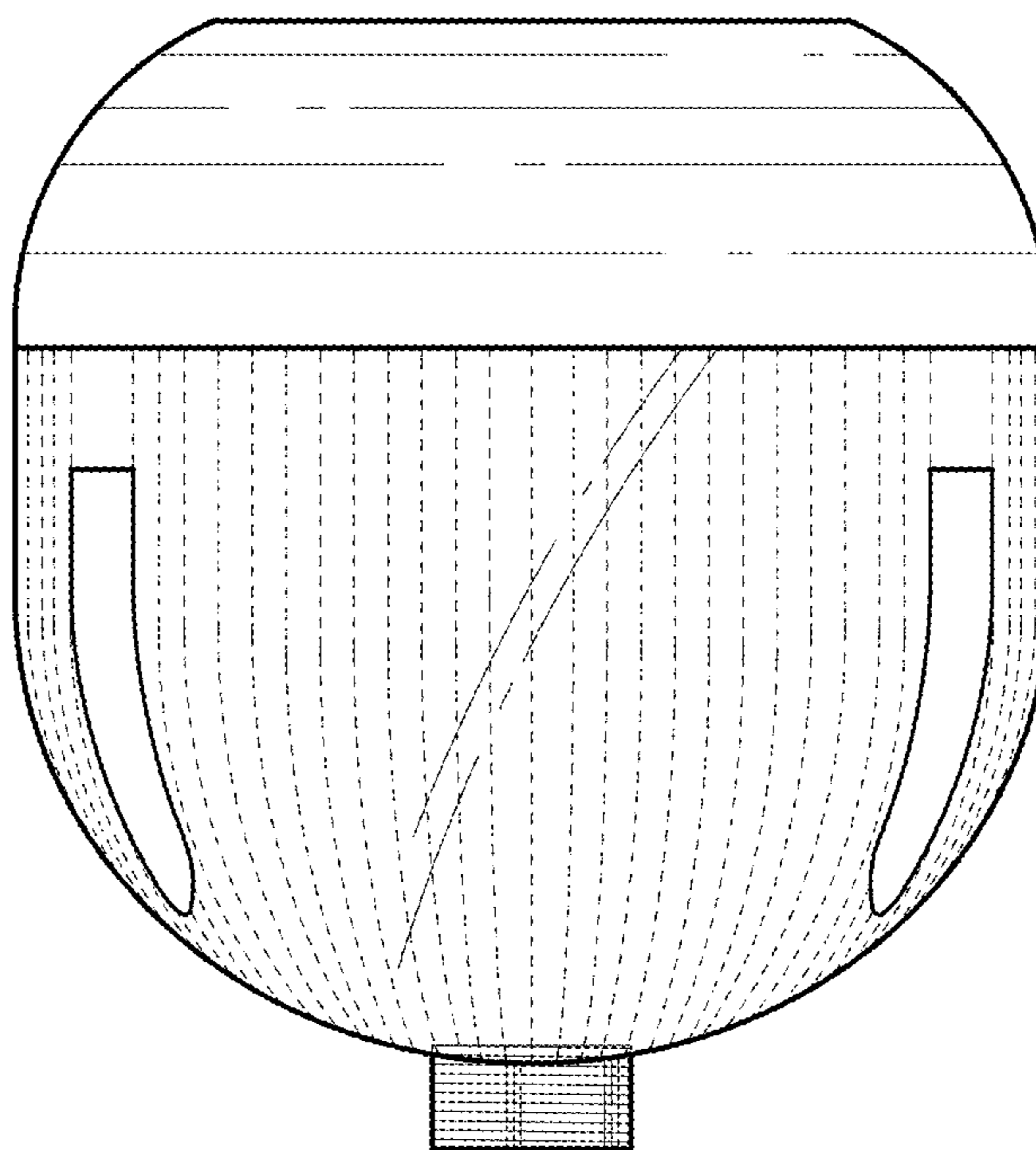


FIG. 6

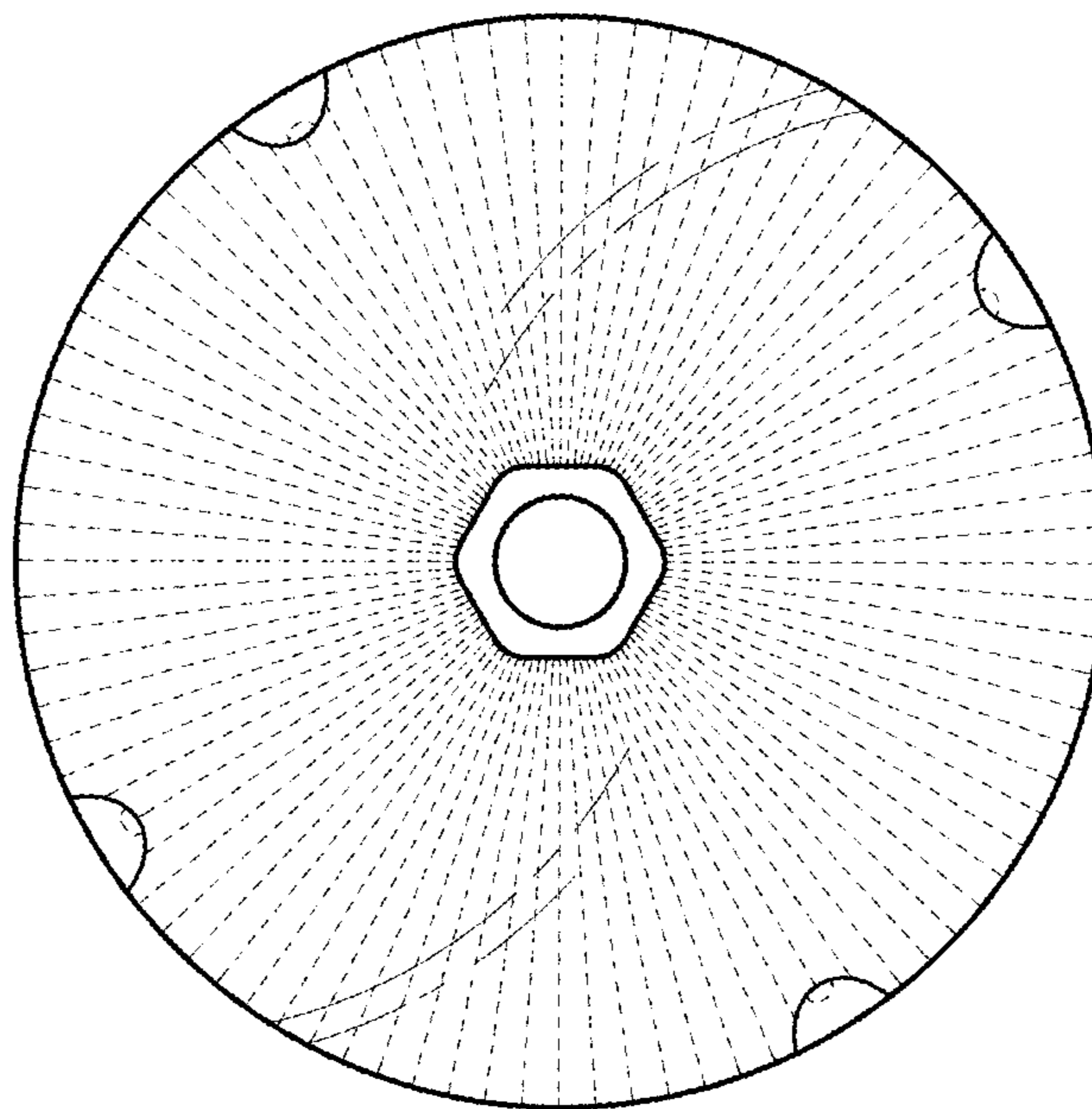


FIG. 7

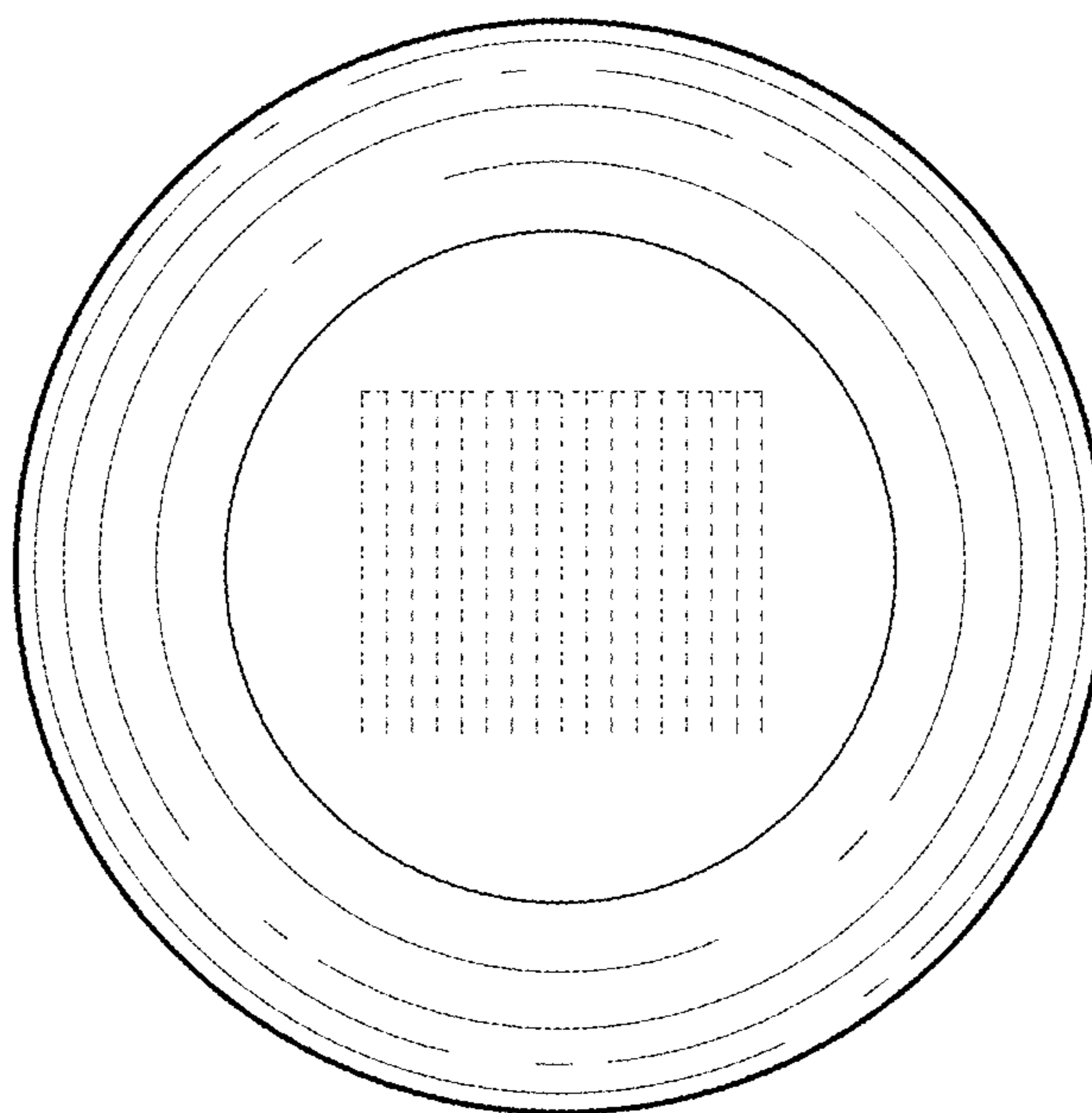


FIG. 8

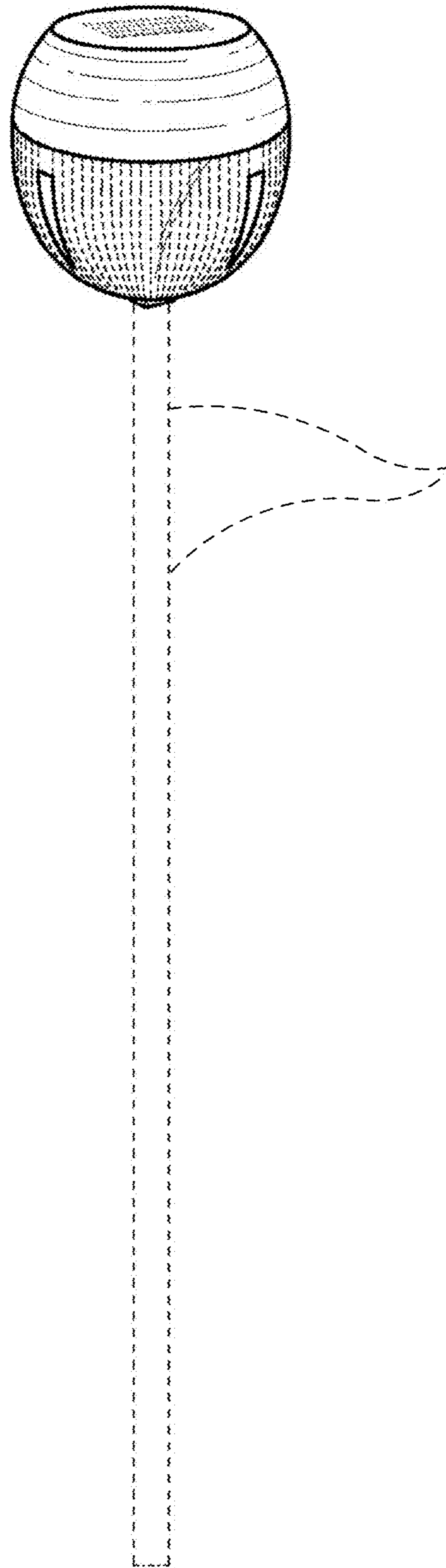


FIG. 9