



US00D870941S

(12) **United States Design Patent**
Vasquez et al.

(10) **Patent No.:** **US D870,941 S**

(45) **Date of Patent:** **** Dec. 24, 2019**

- (54) **COB LED FLASHLIGHT**
- (71) Applicants: **Robert Vasquez**, Gilbert, AZ (US);
Brian Freeland, Chandler, AZ (US)
- (72) Inventors: **Robert Vasquez**, Gilbert, AZ (US);
Brian Freeland, Chandler, AZ (US)
- (73) Assignee: **SHAWSHANK LEDZ INC.**, Gilbert,
AZ (US)

- D749,255 S 2/2016 Robinson et al.
- D750,825 S * 3/2016 Bryant D26/42
- D757,971 S 5/2016 Kovacik et al.
- D757,973 S * 5/2016 Zhang D26/44
- D760,928 S 7/2016 Bao
- D794,234 S 8/2017 Levy et al.
- D799,096 S * 10/2017 Bao D26/65
- D810,335 S 2/2018 Levy et al.
- D816,876 S 5/2018 Bao
- D850,684 S * 6/2019 Zhang D26/42
- D858,837 S * 9/2019 Vasquez D26/60

(**) Term: **15 Years**

(21) Appl. No.: **29/663,348**

(22) Filed: **Sep. 14, 2018**

(51) **LOC (12) Cl.** **26-02**

(52) **U.S. Cl.**
USPC **D26/37**

(58) **Field of Classification Search**
USPC D26/1, 24, 25, 43, 60, 110, 113, 28, 37,
D26/61, 85, 102, 138-140; 362/249.14,
362/311.02, 311.13
CPC F21S 4/00; F21S 4/10; F21S 4/15; F21S
4/26; F21S 2/00; F21V 11/02; F21V
11/06; F21V 17/10; F21V 17/16; F21V
21/0296; F21V 21/0054; F21V 21/008;
F21V 21/00; F21V 21/08; F21V 23/00;
F21V 23/04; F21V 33/00; F21W 2121/00;
F21W 2121/04; F21Y 2115/10; F21L
4/00; F21L 4/02; F21L 4/04; F21L 4/08
See application file for complete search history.

(56) **References Cited**

U.S. PATENT DOCUMENTS

- D535,418 S 1/2007 Martin et al.
- D544,116 S 6/2007 Wai
- D590,970 S 4/2009 Kornfeld et al.
- D698,959 S * 2/2014 Shen D26/46

OTHER PUBLICATIONS

US Trademark Registration No. 4244511; Mark—Blacklight Mas-
ter Registration date: Nov. 20, 2012 Publication date: Sep. 4, 2012.
US Trademark Registration No. 4145999; Mark—Blazing LEDZ
Registration date: May 22, 2012 Publication date: Mar. 6, 2012.

(Continued)

Primary Examiner — Abraham Bahta

(74) *Attorney, Agent, or Firm* — Legalforce RAPC
Worldwide

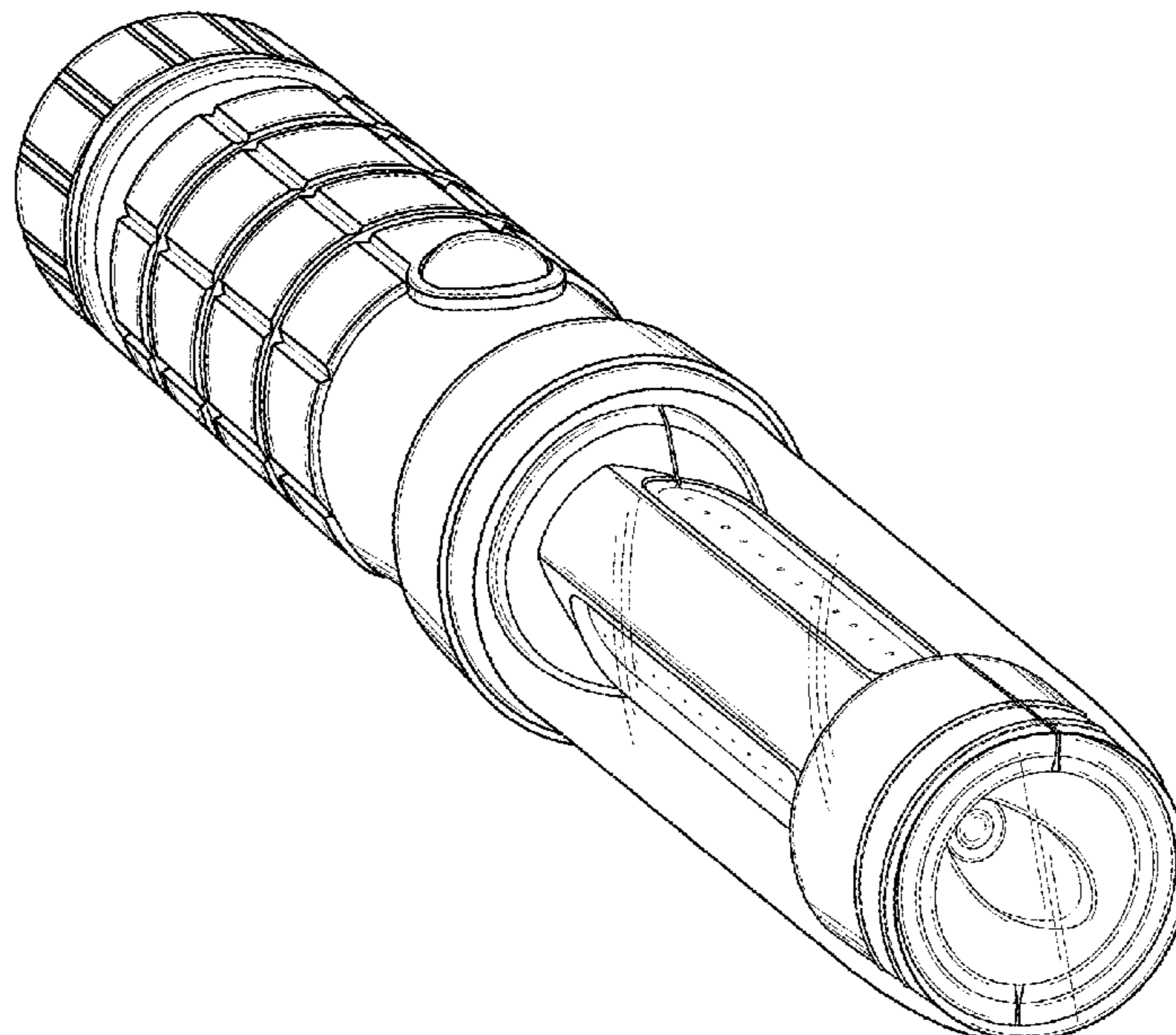
(57) **CLAIM**

The ornamental design for a COB LED flashlight, as shown
and described.

DESCRIPTION

FIG. 1 is a front top right side perspective view for a COB
LED flashlight, showing our new design;
FIG. 2 is a front bottom right side perspective view of FIG.
1 thereof;
FIG. 3 is a front elevational view of FIG. 1 thereof;
FIG. 4 is a rear elevational view of FIG. 1 thereof;
FIG. 5 is a left side elevational view of FIG. 1 thereof;
FIG. 6 is a right side elevational view of FIG. 1 thereof;
FIG. 7 is a top plan view of FIG. 1 thereof; and,
FIG. 8 is a bottom plan view of FIG. 1 thereof.

1 Claim, 7 Drawing Sheets



(56)

References Cited

OTHER PUBLICATIONS

US Trademark Registration No. 5412918; Mark—Blazing LEDZ
Registration date: Feb. 27, 2018 Publication date: Dec. 12, 2017.
“COB LED Mini Pen Shape Bright Inspection Light Lamp”, by
LINKAX, Found Online on [Sep. 5, 2018] [https://ae01.alicdn.com/
kf/HTB1JGbmPXXXXXaeXpXXq6xXFXXXT.jpg](https://ae01.alicdn.com/kf/HTB1JGbmPXXXXXaeXpXXq6xXFXXXT.jpg).
“COB LED Mini Pen Multifunction led Torch light”, by Homful,
Found Online on [Sep. 5, 2018] <https://goo.gl/imKK1v>.
“Lumen COB LED Flashlight with Magnetic Base”, by Mountain
Wolf, Found Online on [Sep. 5, 2018] [https://makhsoom.com/lb/
storage/64000/60047/a11680acc604884be04134350e10f870.jpg](https://makhsoom.com/lb/storage/64000/60047/a11680acc604884be04134350e10f870.jpg).
“LED Worklight, 1W Flashlight, Magnetic Base”, by Blazing
LEDZ, Found Online on [Sep. 5, 2018] [https://images-na.ssi-images-
amazon.com/images/I/61wzrgduUNLL._SL1000_.jpg](https://images-na.ssi-images-amazon.com/images/I/61wzrgduUNLL._SL1000_.jpg).

* cited by examiner

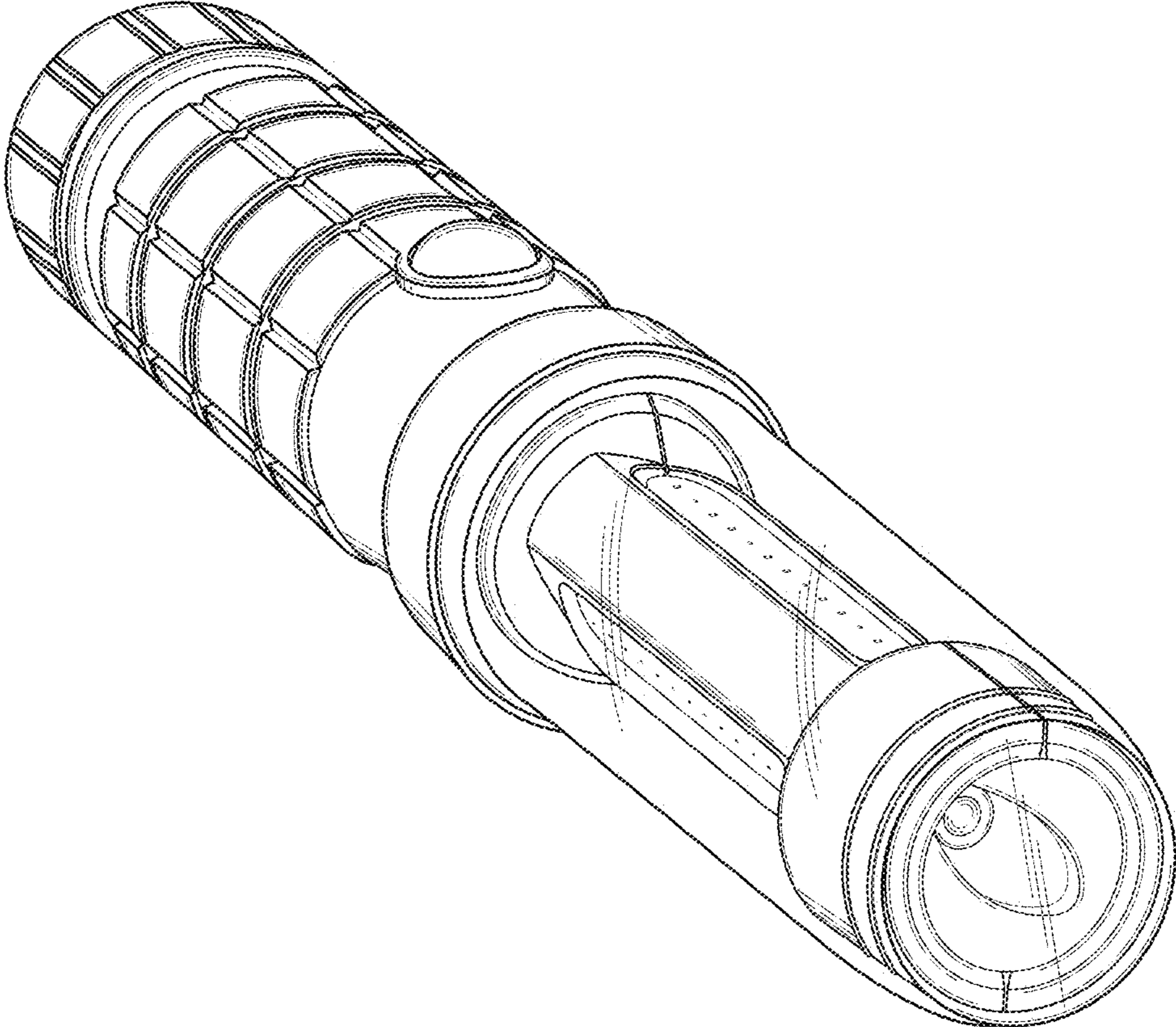


FIG. 1

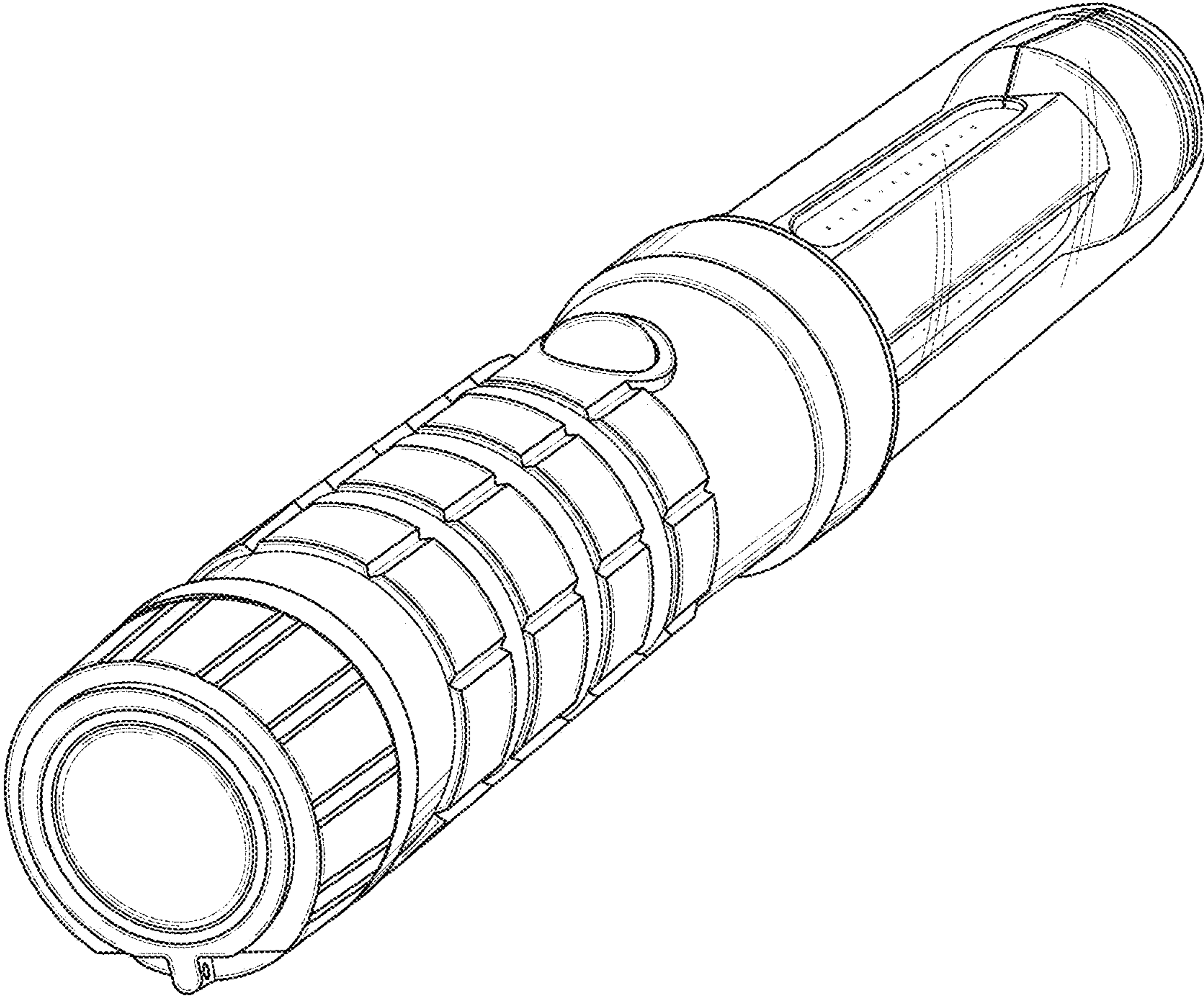


FIG. 2

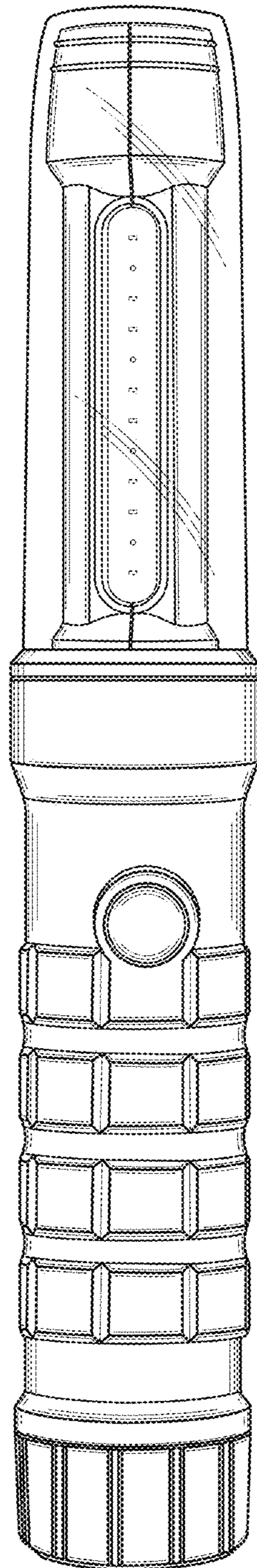


FIG. 3

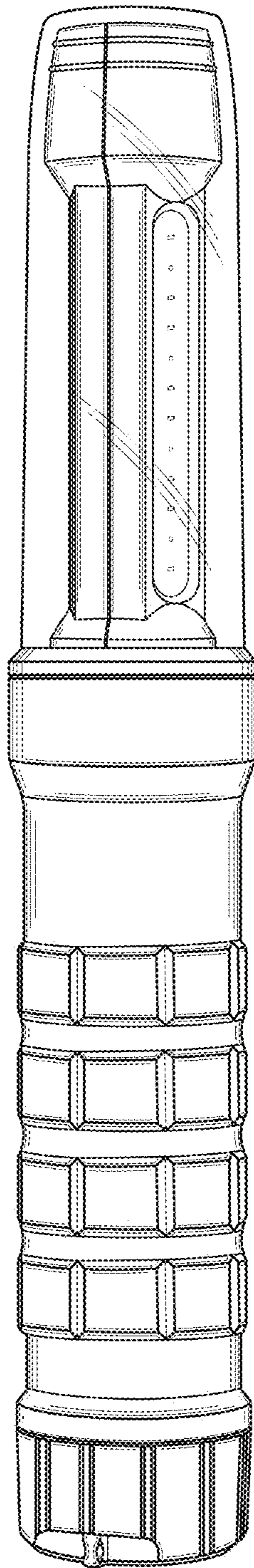


FIG. 4

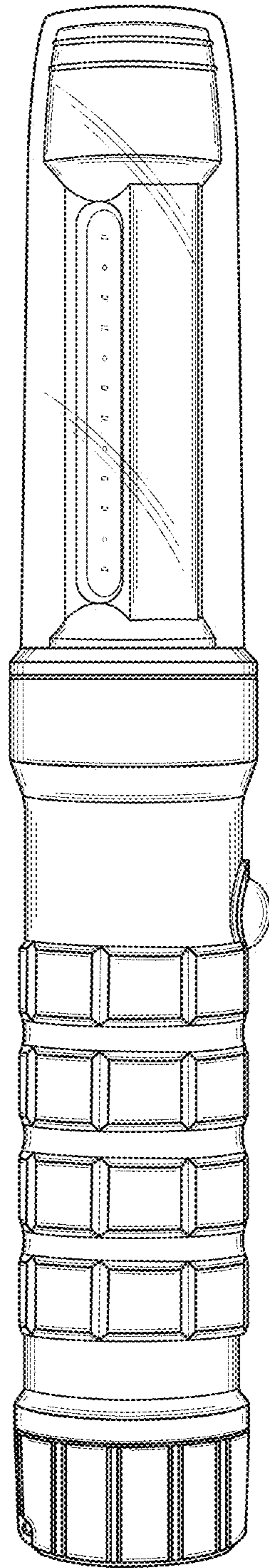


FIG. 5

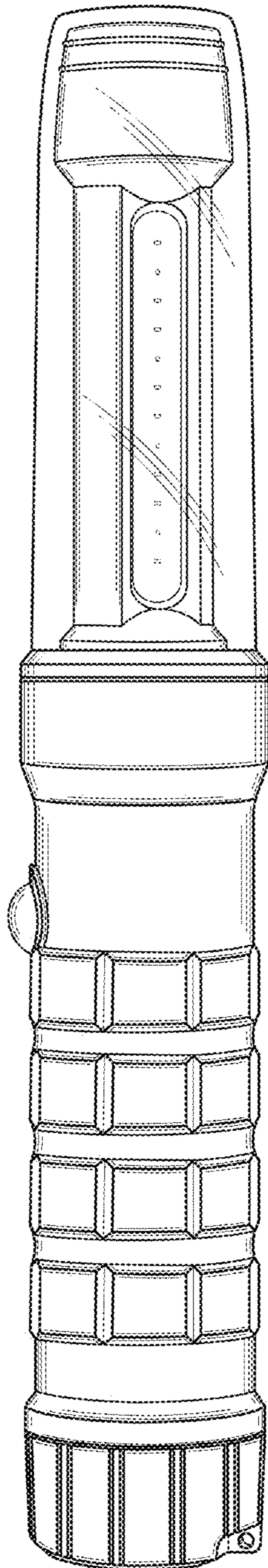


FIG. 6

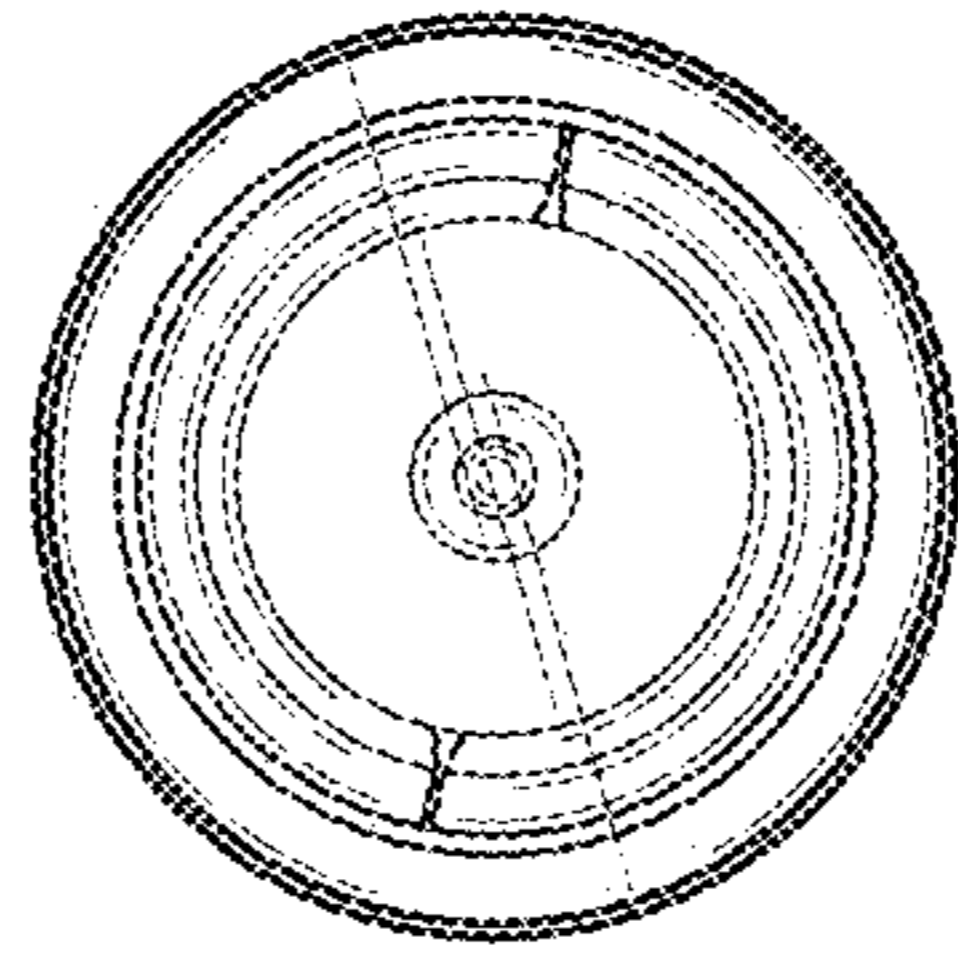


FIG. 7

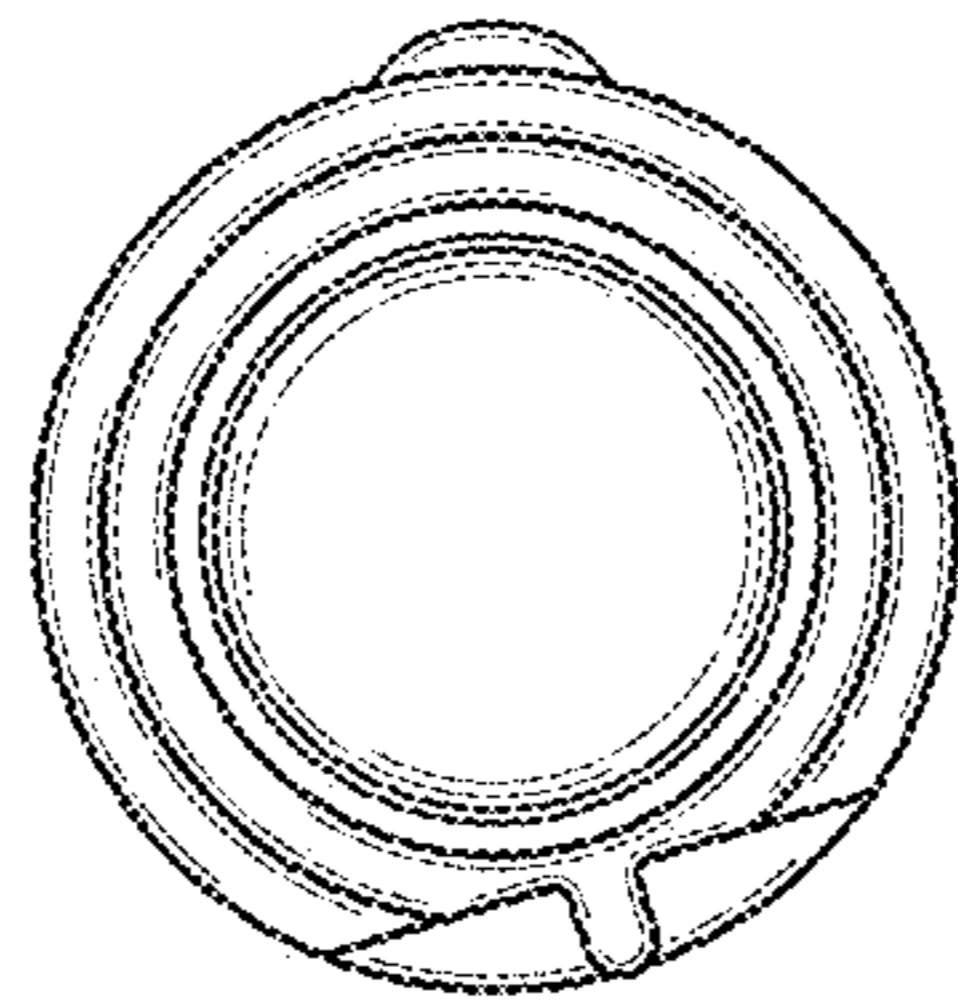


FIG. 8