



US00D870940S

(12) **United States Design Patent** (10) **Patent No.:** **US D870,940 S**  
**Wu** (45) **Date of Patent:** **\*\* Dec. 24, 2019**

(54) **VEHICLE LIGHT**  
(71) Applicant: **COPLUS INC.**, Tainan (TW)  
(72) Inventor: **Po-Hua Wu**, Tainan (TW)  
(73) Assignee: **Coplus Inc.**, Tainan (TW)  
(\*\*) Term: **15 Years**  
(21) Appl. No.: **29/661,550**  
(22) Filed: **Aug. 28, 2018**

D576,754 S \* 9/2008 Wang ..... D26/31  
D653,783 S \* 2/2012 Biro ..... D26/31  
D656,258 S \* 3/2012 Georgitsis ..... B60Q 1/0483  
D26/31  
D676,990 S \* 2/2013 Adams ..... D26/31

\* cited by examiner

*Primary Examiner* — Marcus A Jackson  
(74) *Attorney, Agent, or Firm* — Lewis Roca Rothgerber  
Christie LLP

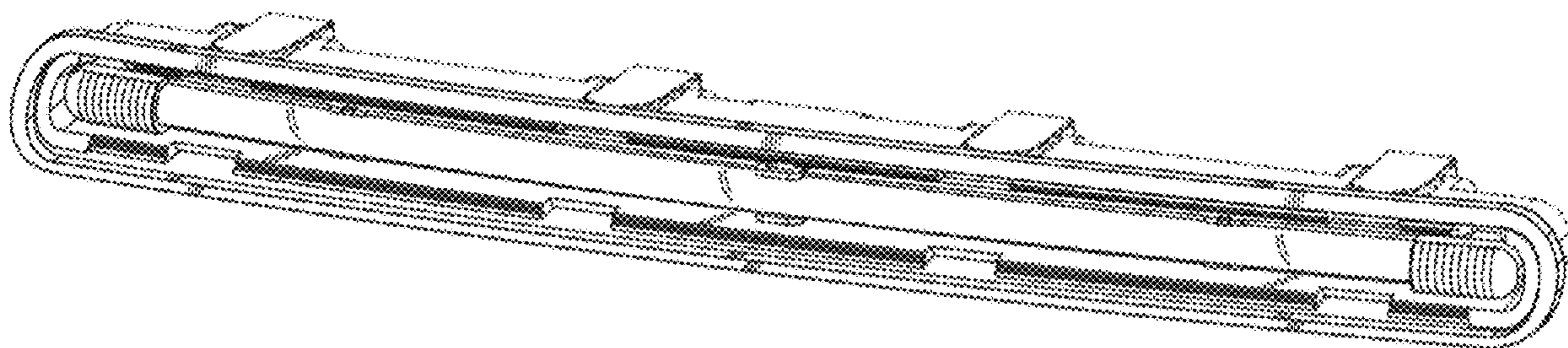
(30) **Foreign Application Priority Data**  
Mar. 6, 2018 (TW) ..... 107301288  
(51) **LOC (12) Cl.** ..... **26-06**  
(52) **U.S. Cl.**  
USPC ..... **D26/31**  
(58) **Field of Classification Search**  
USPC ..... D26/28–36, 139  
CPC ..... F21S 48/00; F21S 48/10; F21S 48/115;  
F21S 48/225; F21S 48/1233; F21S  
48/1266; F21S 48/1388; F21S 48/2268;  
F21V 21/04; B60Q 9/13; B60Q 9/135;  
B60Q 9/1375  
See application file for complete search history.

(57) **CLAIM**  
The ornamental design for a vehicle light, as shown and  
described.

(56) **References Cited**  
U.S. PATENT DOCUMENTS  
D499,198 S \* 11/2004 Cowan ..... D26/31  
D526,430 S \* 8/2006 Hernandez ..... D26/31

**DESCRIPTION**  
FIG. 1 is a perspective view of a vehicle light;  
FIG. 2 is a front view thereof;  
FIG. 3 is a rear view thereof;  
FIG. 4 is a left side view thereof;  
FIG. 5 is a right side view thereof;  
FIG. 6 is a top view thereof; and,  
FIG. 7 is a bottom view thereof.  
The broken lines in the drawings are for illustrative purpose  
only and form no part of the claimed design.

**1 Claim, 4 Drawing Sheets**



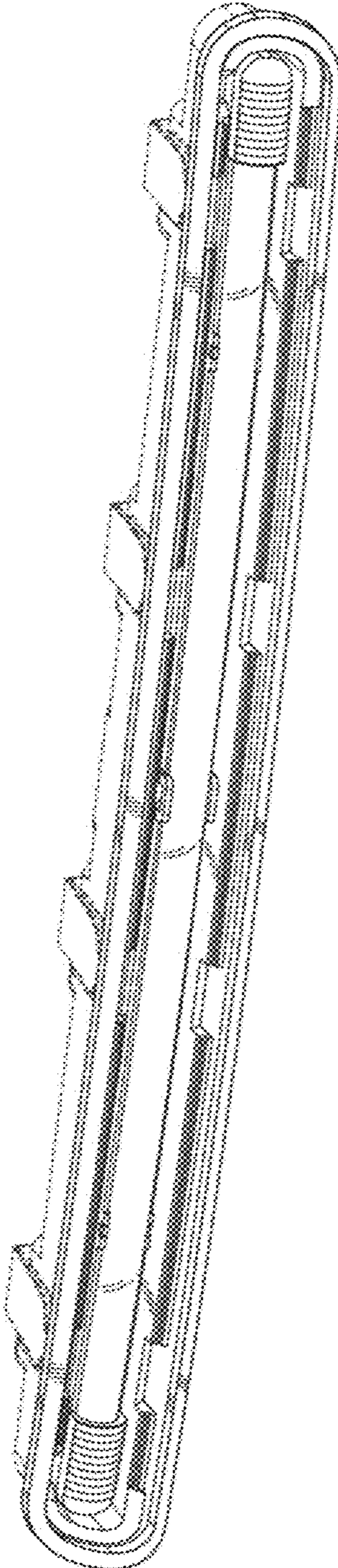


FIG. 1

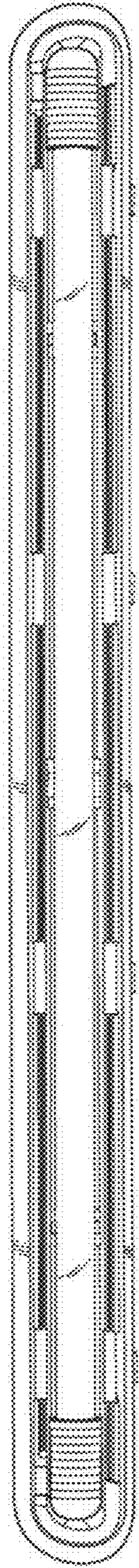


FIG. 2



FIG. 3

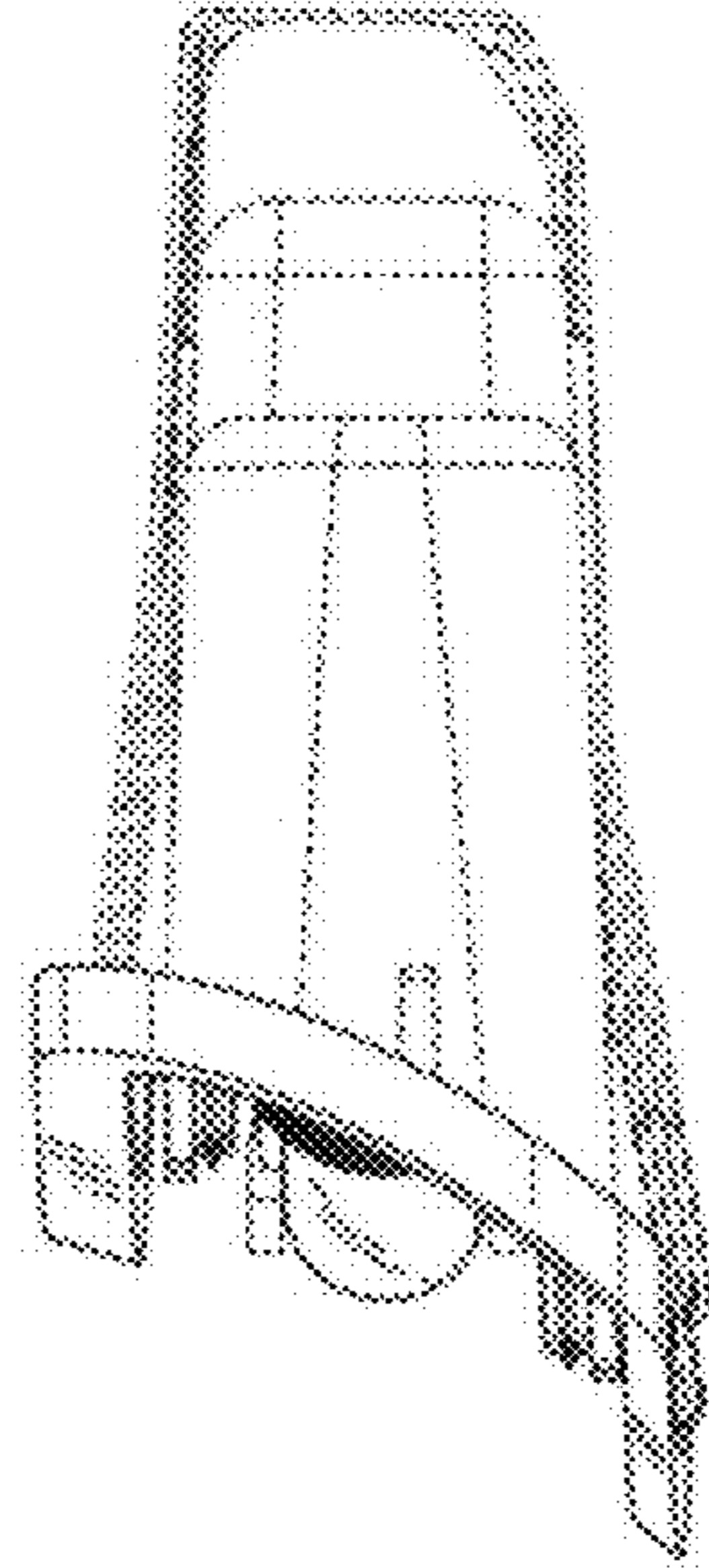


FIG. 4

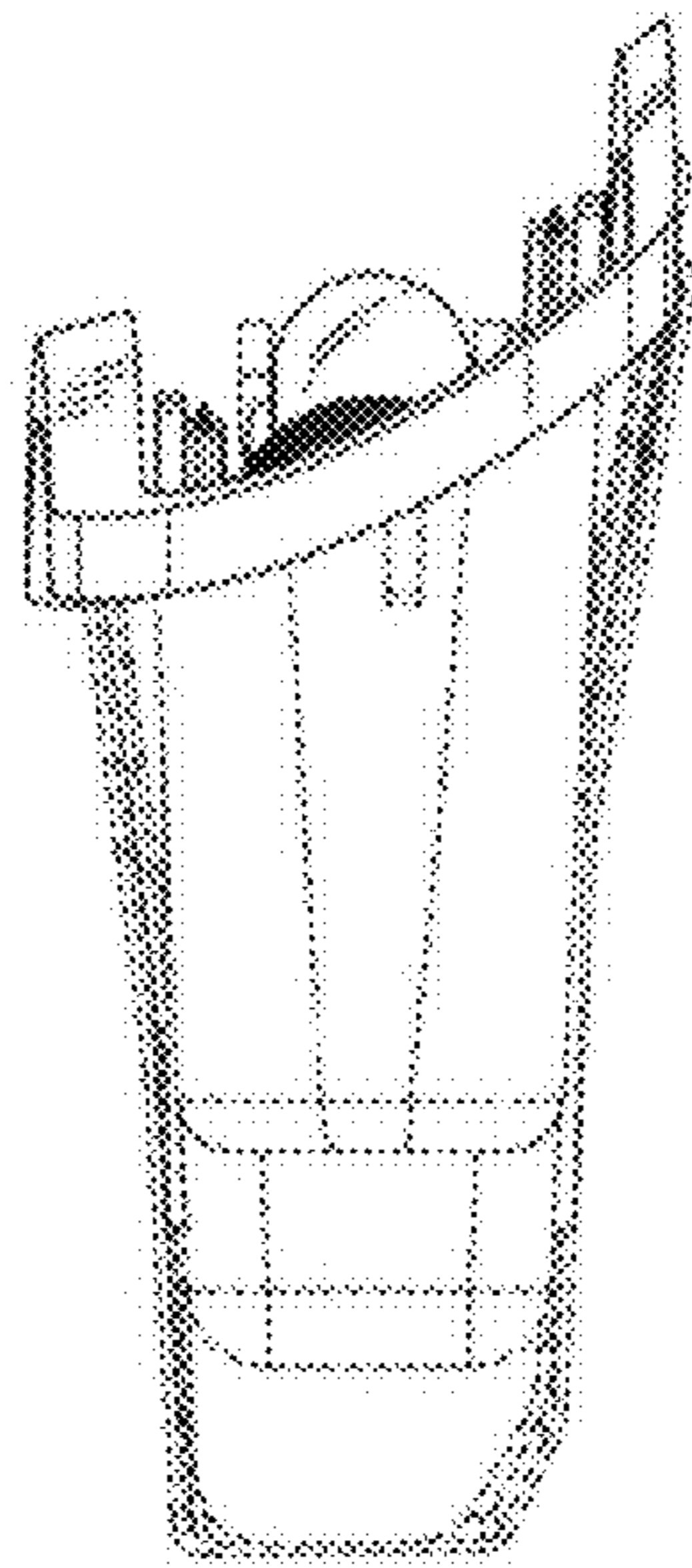


FIG. 5

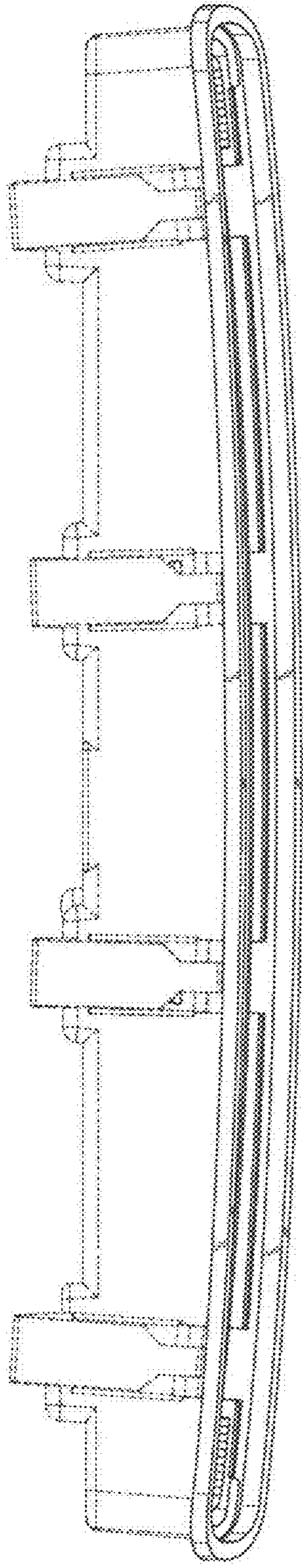


FIG. 6

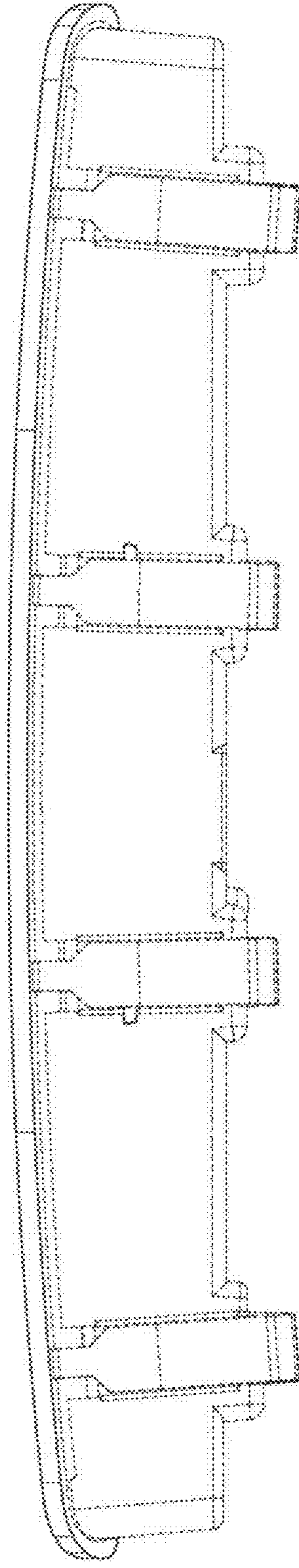


FIG. 7