



US00D870938S

(12) **United States Design Patent**  
**Tseng**

(10) **Patent No.:** **US D870,938 S**

(45) **Date of Patent:** **\*\* Dec. 24, 2019**

- (54) **HEADLIGHT FOR GOLF CARTS**
- (71) Applicant: **CHARLIE & BROTHER ENTERPRISE CO., LTD.**, Tainan (TW)
- (72) Inventor: **Chia-Hsi Tseng**, Tainan (TW)
- (73) Assignee: **Charlie & Brother Enterprise Co., Ltd.**, Tainan (TW)

D576,322 S *	9/2008	Higashikawa	.....	D26/28
D586,013 S *	2/2009	Hsu	.....	D26/28
D586,018 S *	2/2009	Hsu	.....	D26/28
D606,676 S *	12/2009	Mulla	.....	D26/28
D693,038 S *	11/2013	Kojima	.....	D26/28
D717,978 S *	11/2014	Nishimoto	.....	D26/28
D742,042 S *	10/2015	Li	.....	D26/28
D748,829 S *	2/2016	Tateishi	.....	D26/28
D772,452 S *	11/2016	Zhang	.....	D26/28
D796,710 S *	9/2017	Deyaf	.....	D26/28
D799,081 S *	10/2017	Lin	.....	D26/28

(\*\*) Term: **15 Years**

(21) Appl. No.: **29/669,440**

(22) Filed: **Nov. 8, 2018**

(51) **LOC (12) Cl.** ..... **26-06**

(52) **U.S. Cl.**  
USPC ..... **D26/28**

(58) **Field of Classification Search**  
USPC ..... D26/28-36; D12/16; 362/459-468,  
362/475-478, 485-487  
CPC ..... F21S 48/00; F21S 48/10; F21S 48/115;  
F21S 48/225; F21S 48/1233; F21S  
48/1266; F21S 48/1388; F21S 48/2268;  
F21V 21/04  
See application file for complete search history.

(56) **References Cited**

**U.S. PATENT DOCUMENTS**

D561,360 S *	2/2008	Wang	.....	D26/28
D568,502 S *	5/2008	Kudo	.....	D26/28

\* cited by examiner

*Primary Examiner* — Angela J Lee

(74) *Attorney, Agent, or Firm* — Rosenberg, Klein & Lee

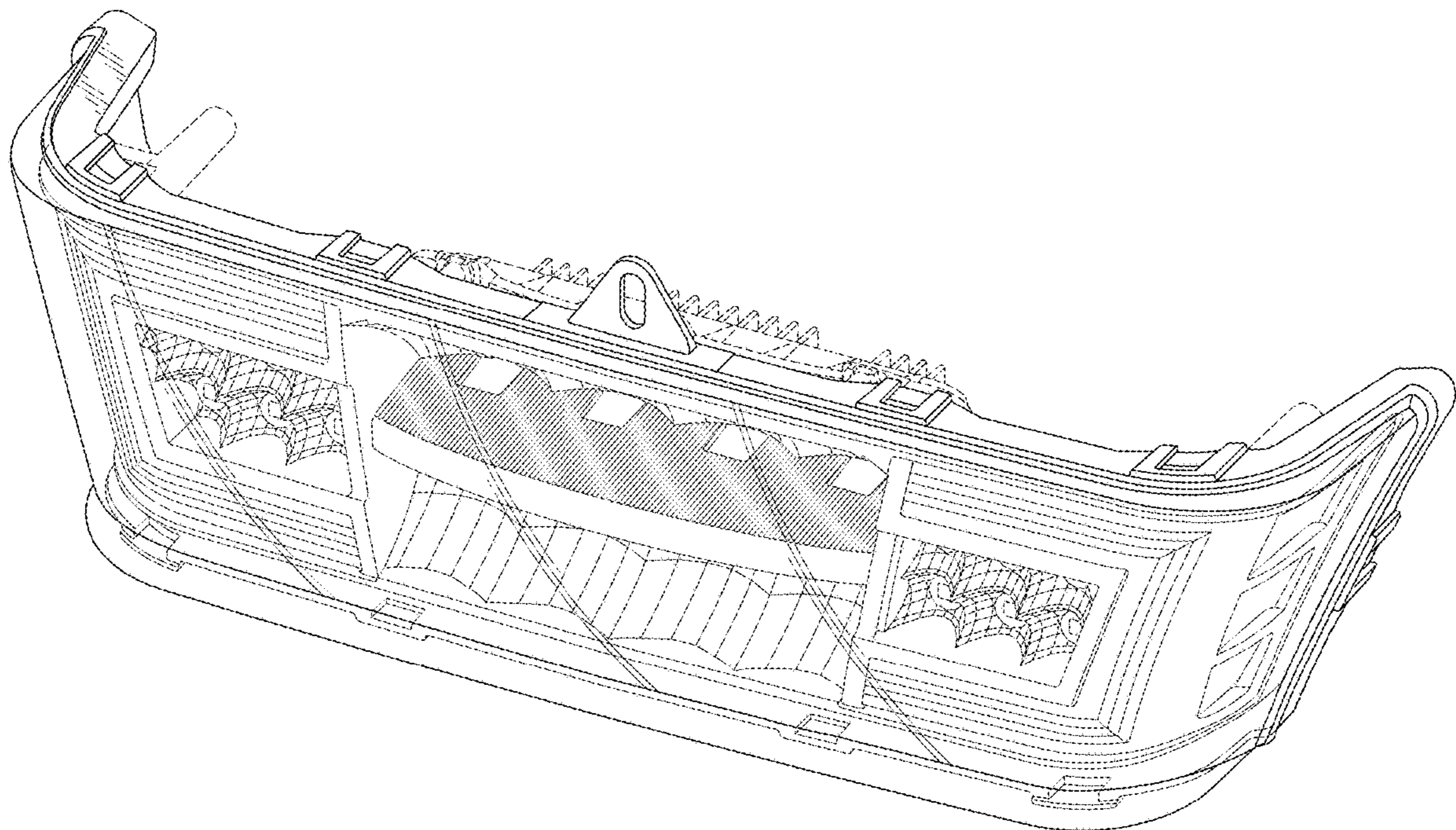
(57) **CLAIM**

The ornamental design for a headlight for golf carts, as shown and described.

**DESCRIPTION**

FIG. 1 is a perspective view of a headlight for golf carts showing my new design;  
FIG. 2 is a front elevational view thereof;  
FIG. 3 is a rear elevational view thereof;  
FIG. 4 is a left side elevational view thereof;  
FIG. 5 is a right side elevational view thereof;  
FIG. 6 is a top plan view thereof; and,  
FIG. 7 is a bottom plan view thereof.  
The broken lines shown in the figures are included for illustrating unclaimed portions of the headlight for golf carts and form no part of the claimed design.

**1 Claim, 7 Drawing Sheets**



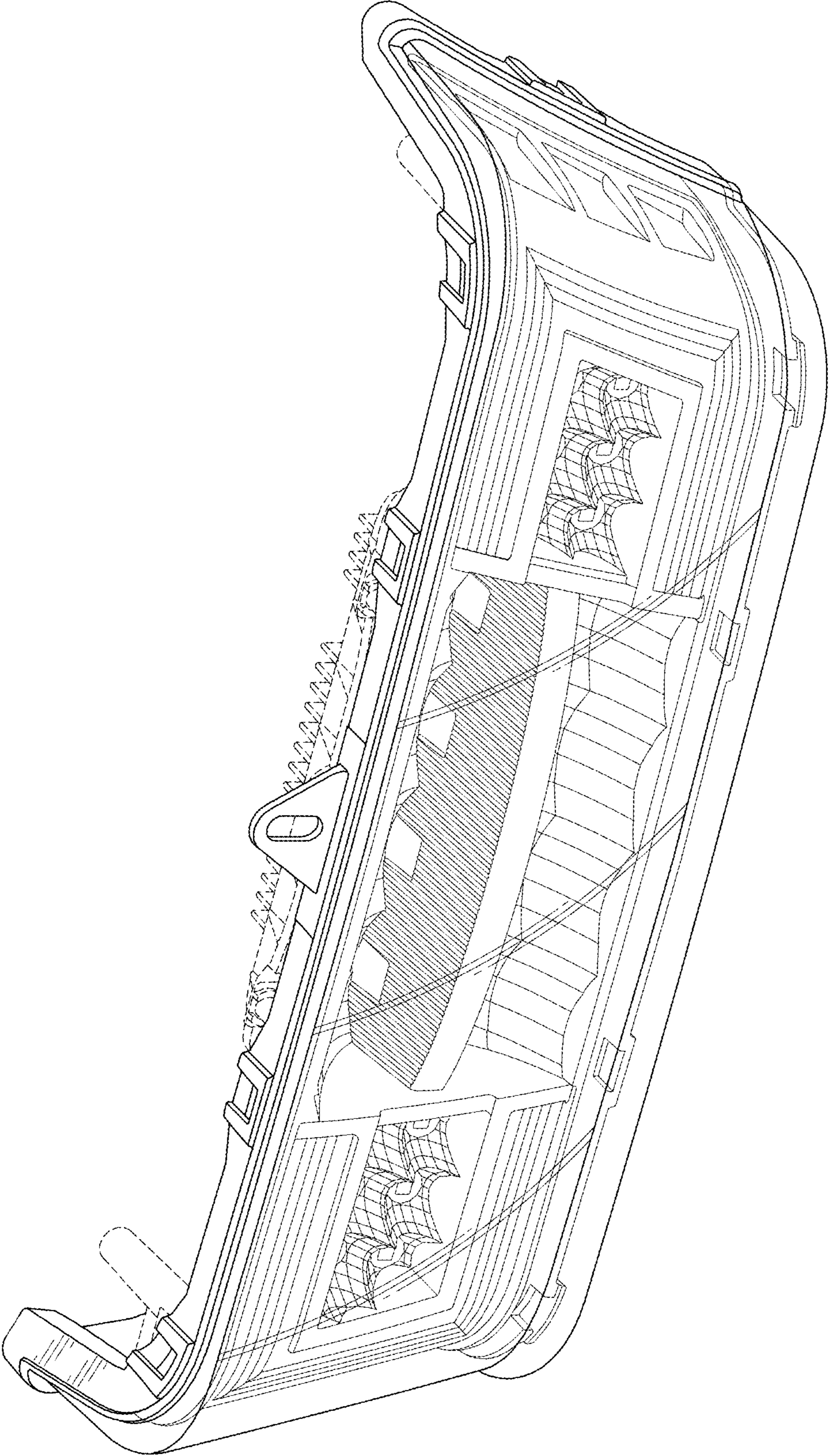


FIG. 1

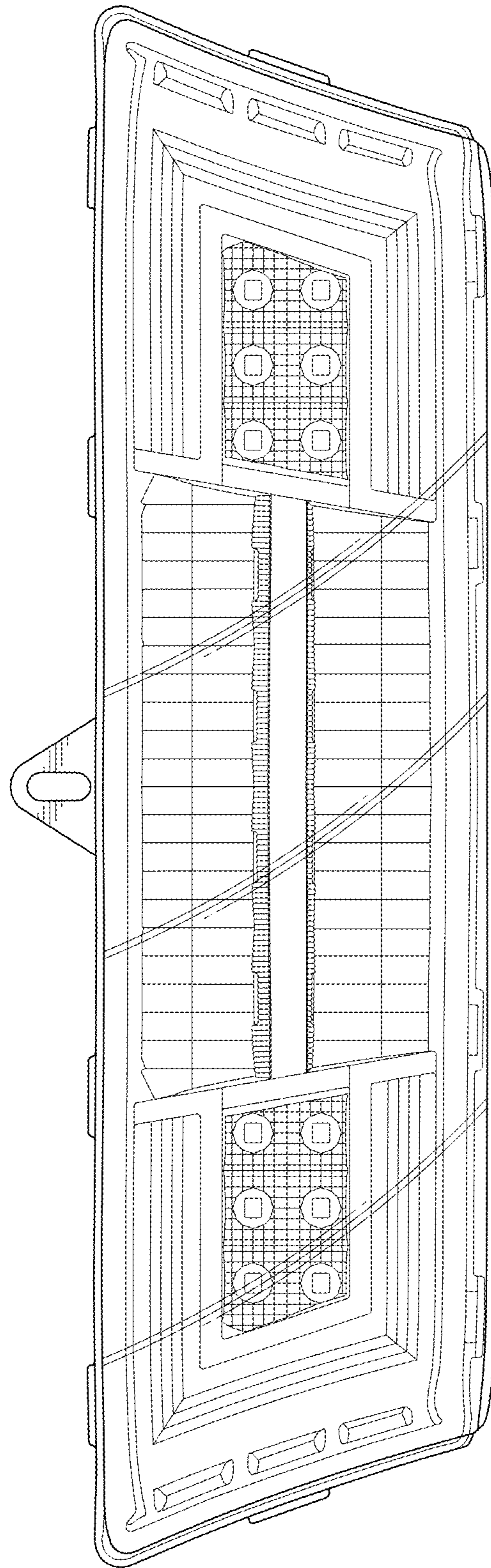


FIG. 2

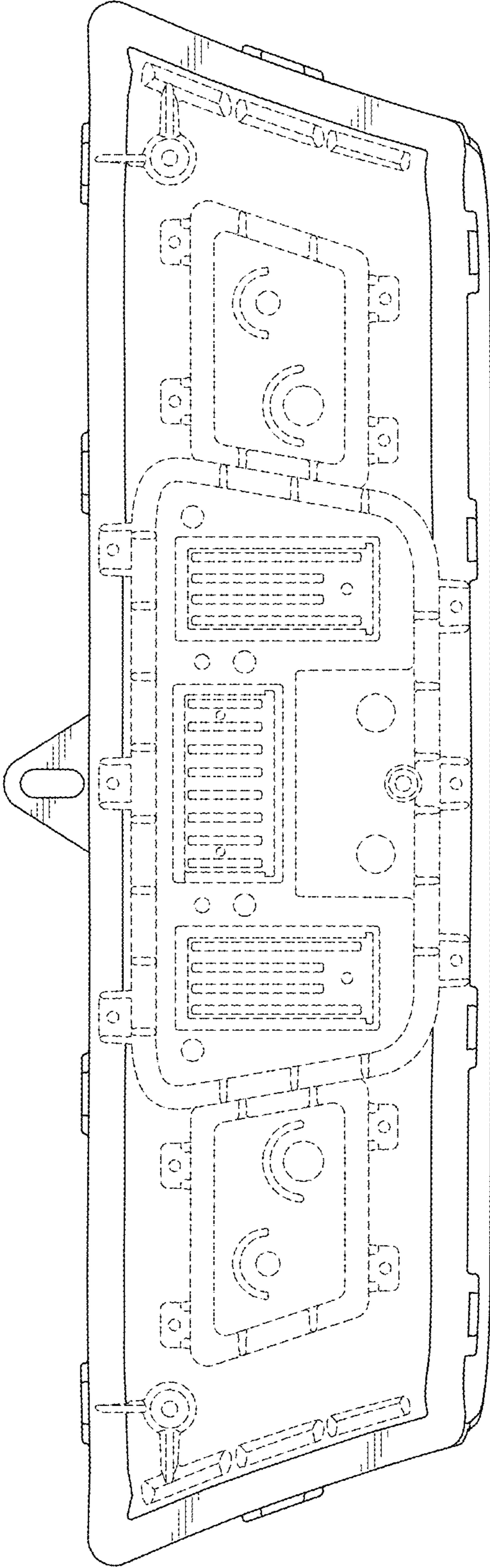


FIG. 3

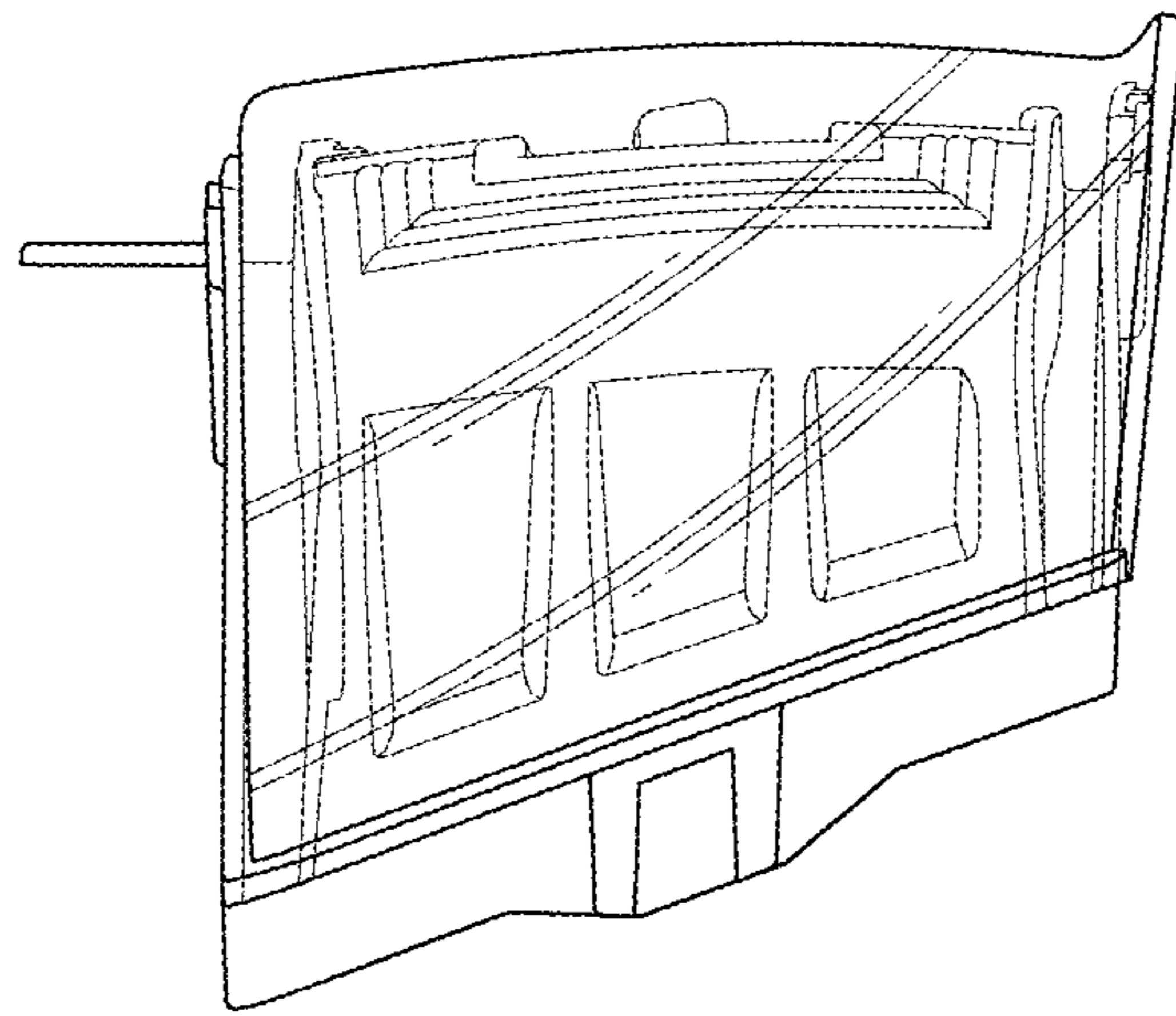


FIG. 4

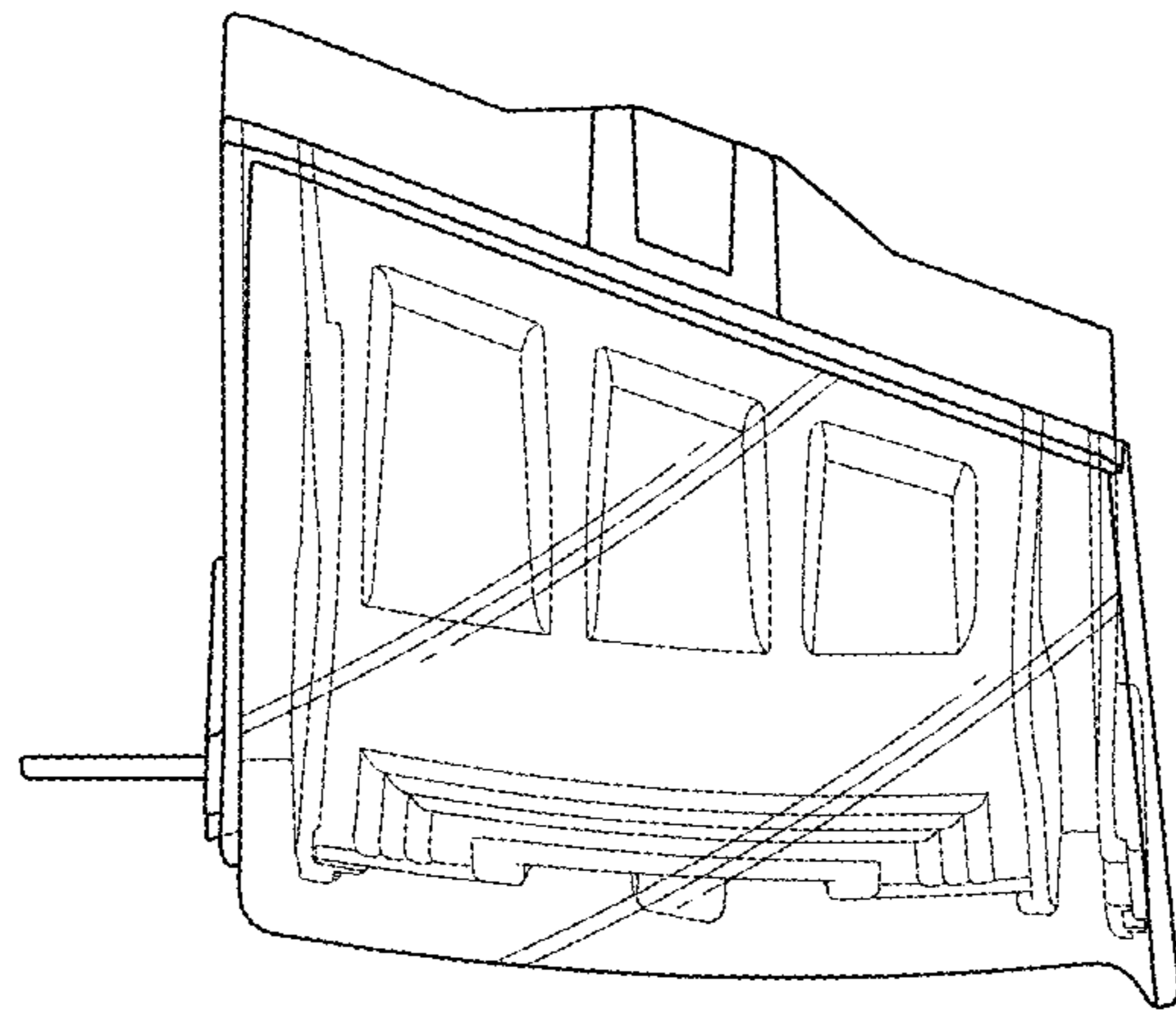


FIG. 5

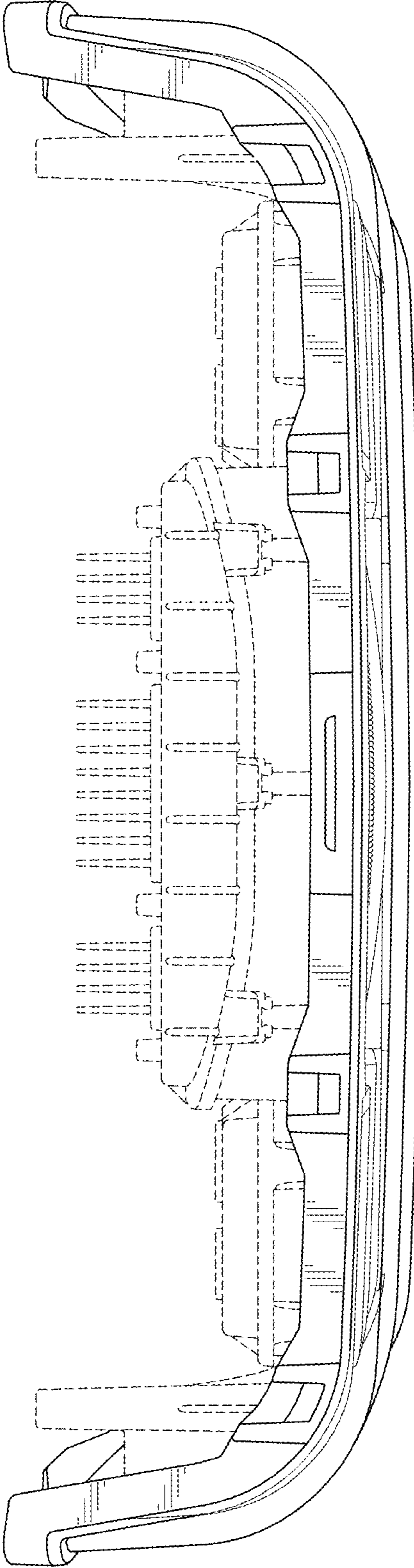


FIG. 6

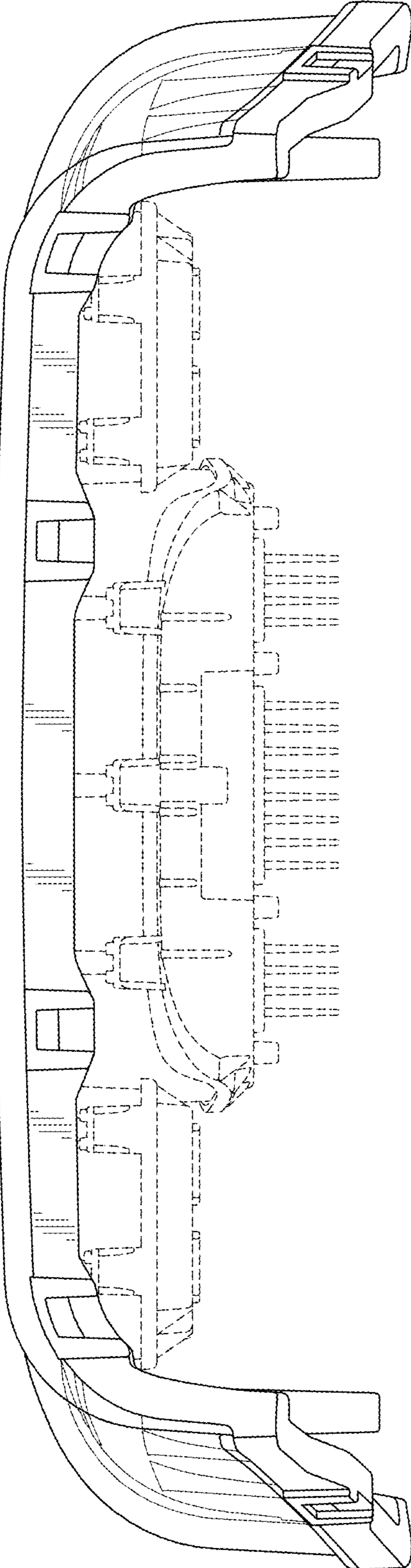


FIG. 7