



US00D870936S

(12) **United States Design Patent** (10) **Patent No.:** **US D870,936 S**  
**Wu** (45) **Date of Patent:** **\*\* Dec. 24, 2019**

(54) **VEHICLE LIGHT**

(71) Applicant: **COPLUS INC.**, Tainan (TW)

(72) Inventor: **Po-Hua Wu**, Tainan (TW)

(73) Assignee: **Coplus Inc.**, Tainan (TW)

(\*\*) Term: **15 Years**

(21) Appl. No.: **29/666,695**

(22) Filed: **Oct. 15, 2018**

(30) **Foreign Application Priority Data**

Apr. 25, 2018 (TW) ..... 107302294

Sep. 17, 2018 (TW) ..... 107302294D01

(51) **LOC (12) Cl.** ..... **26-06**

(52) **U.S. Cl.**  
USPC ..... **D26/28**

(58) **Field of Classification Search**

USPC ..... D26/28-36, 139

CPC ..... F21S 48/00; F21S 48/10; F21S 48/115;

F21S 48/225; F21S 48/1233; F21S

48/1266; F21S 48/1388; F21S 48/2268;

F21V 21/04; B60Q 9/13; B60Q 9/135;

B60Q 9/1375

See application file for complete search history.

(56) **References Cited**

U.S. PATENT DOCUMENTS

D528,685 S \* 9/2006 Yoshida ..... D26/28

D544,114 S \* 6/2007 Ohta ..... D26/28

D597,232 S \* 7/2009 Hanaoka ..... D26/28

\* cited by examiner

*Primary Examiner* — Marcus A Jackson

(74) *Attorney, Agent, or Firm* — Lewis Roca Rothgerber  
Christie LLP

(57) **CLAIM**

The ornamental design for a vehicle light, as shown and  
described.

**DESCRIPTION**

FIG. 1 is a perspective view of a vehicle light;

FIG. 2 is a front view thereof;

FIG. 3 is a rear view thereof;

FIG. 4 is a left side view thereof;

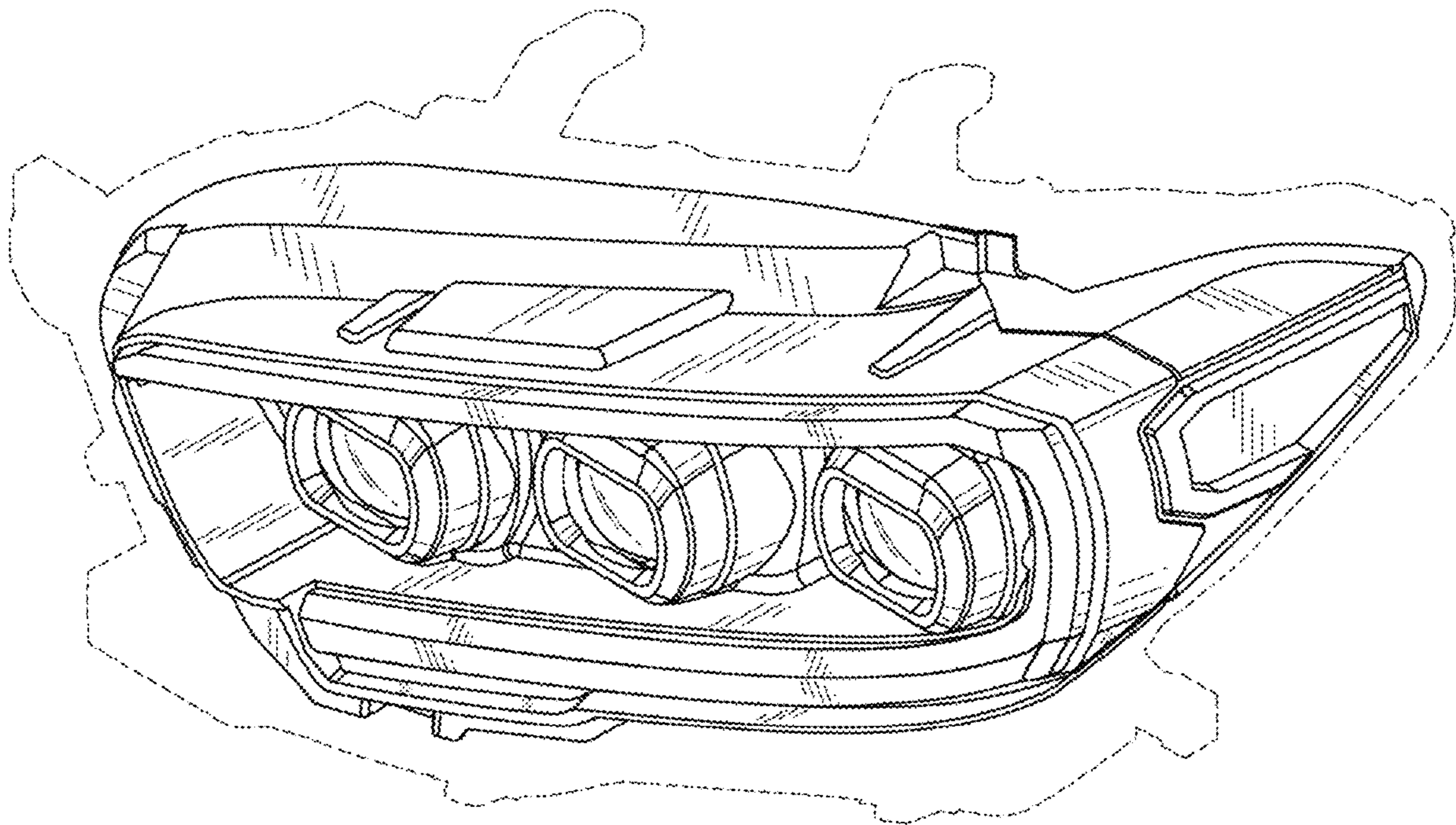
FIG. 5 is a right side view thereof;

FIG. 6 is a top view thereof; and,

FIG. 7 is a bottom view thereof.

The broken lines in the drawings are for illustrative purpose  
only and form no part of the claimed design.

**1 Claim, 7 Drawing Sheets**



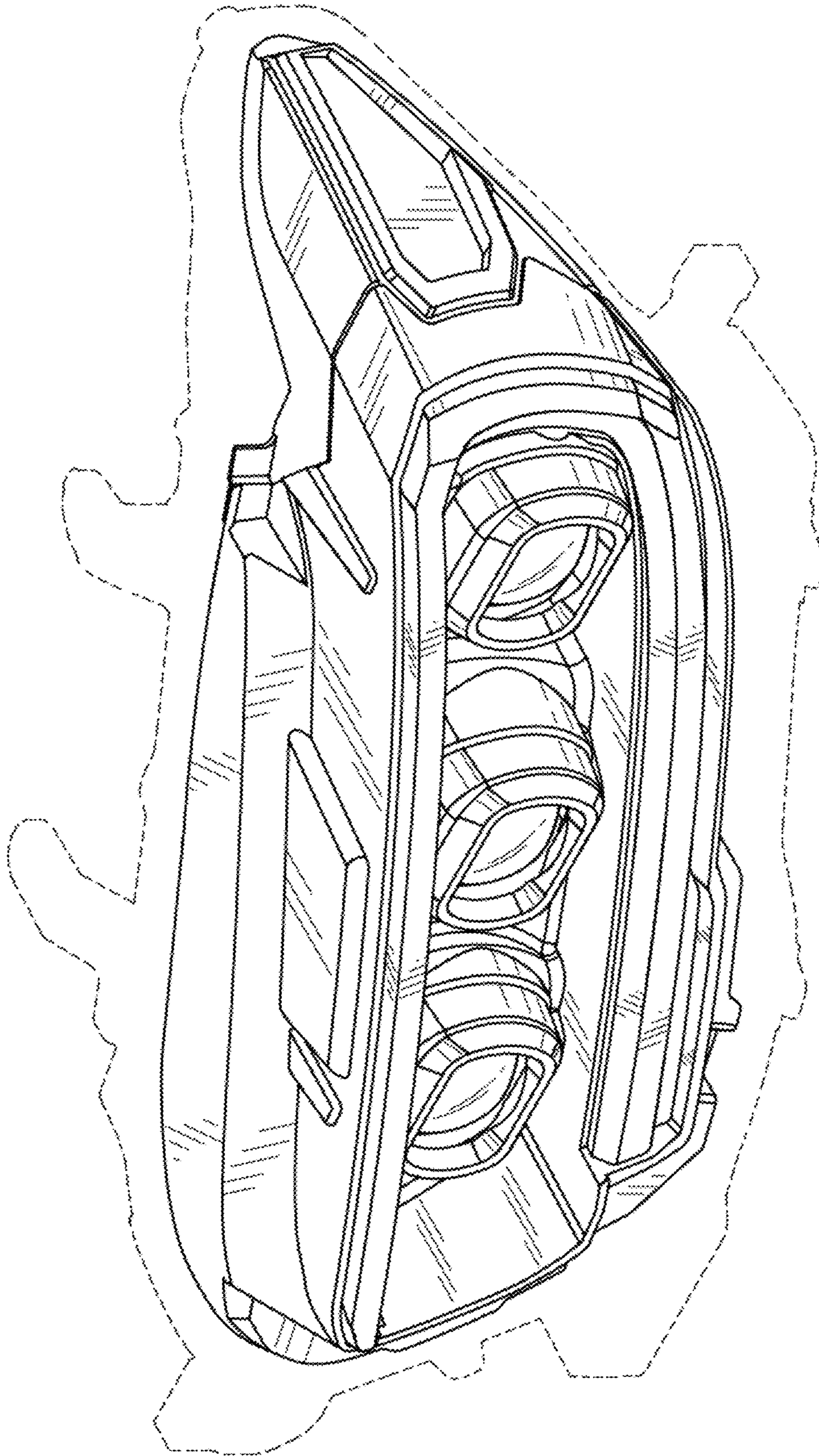


FIG. 1

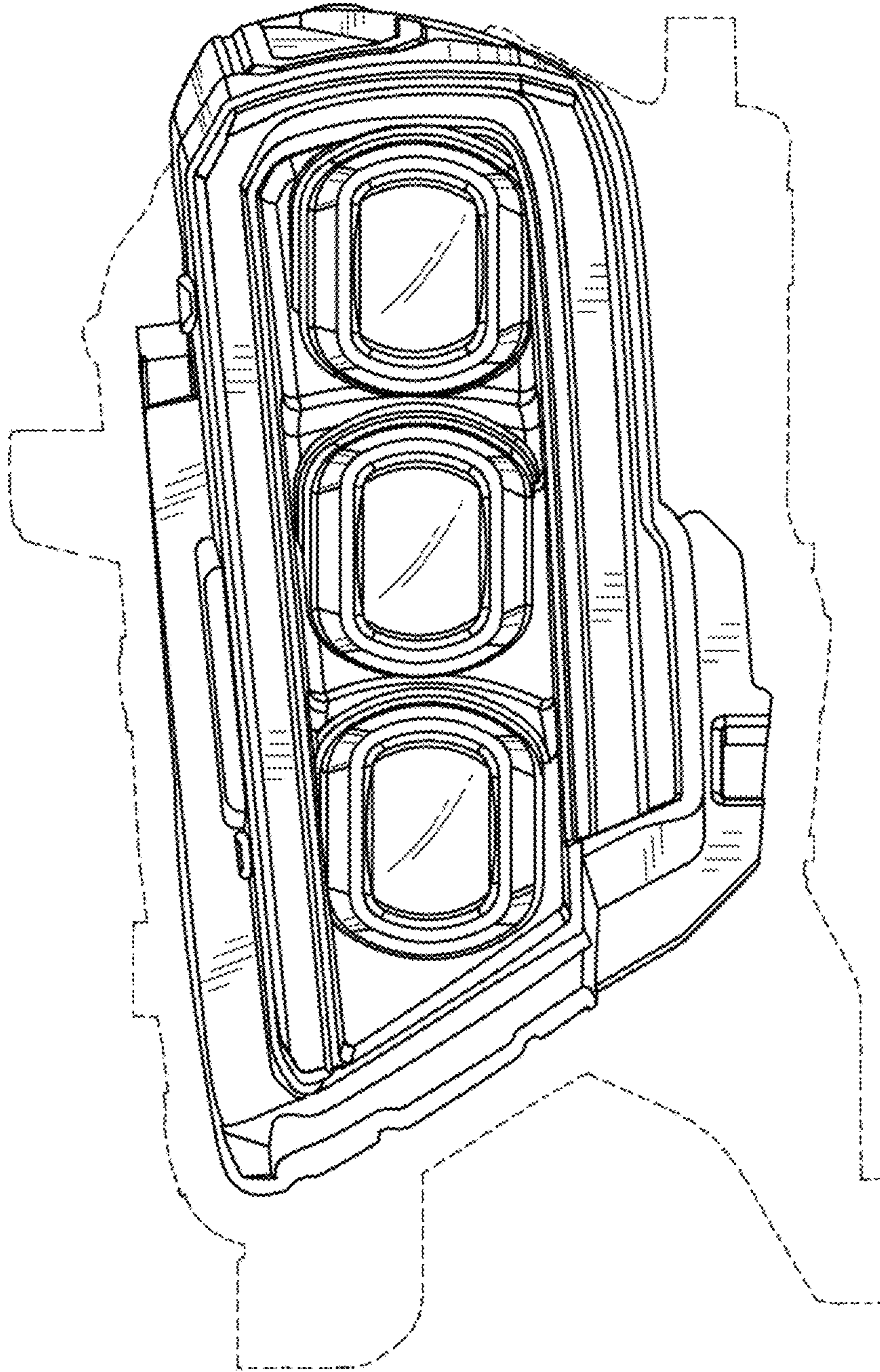


FIG. 2

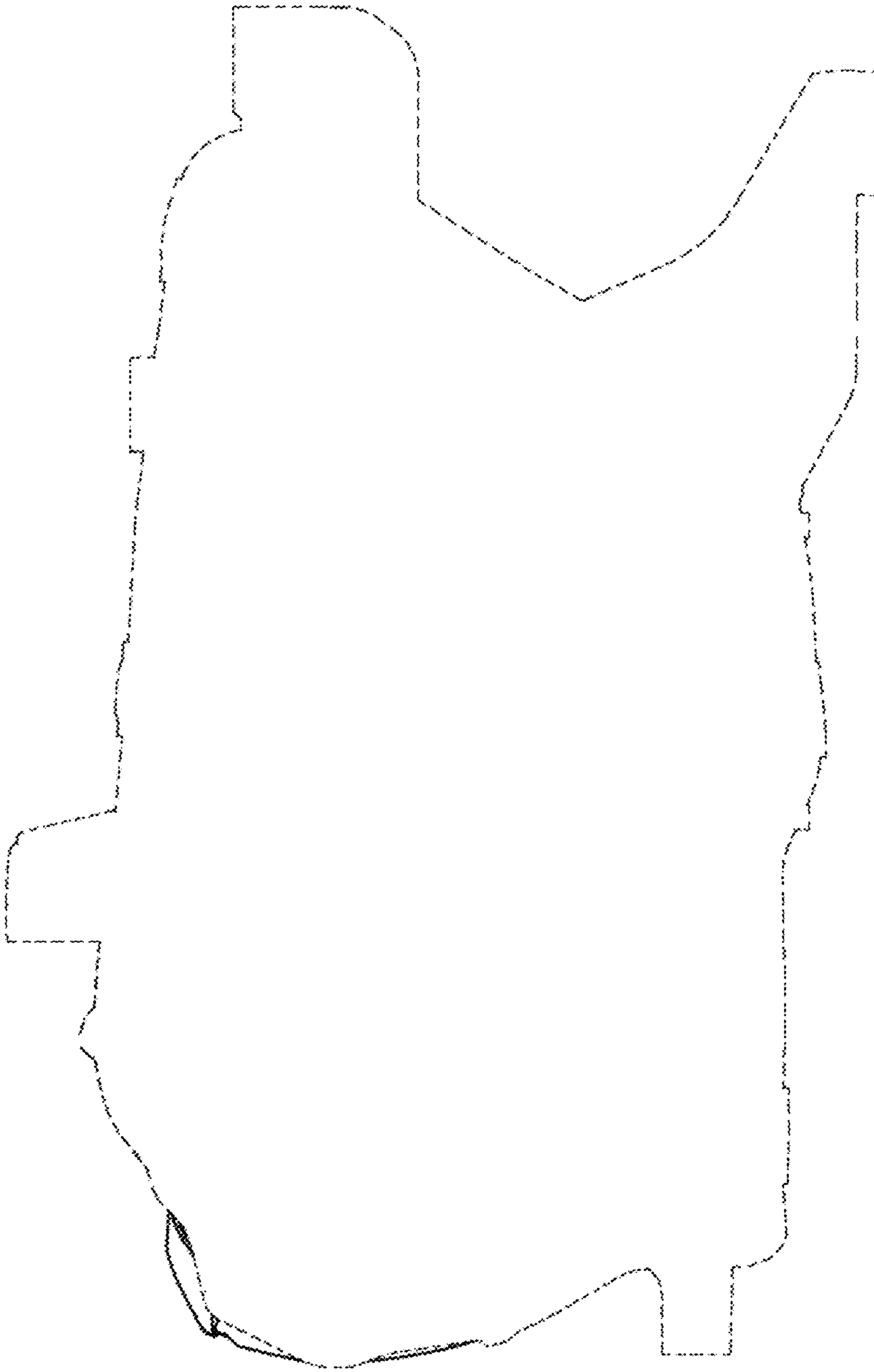


FIG. 3

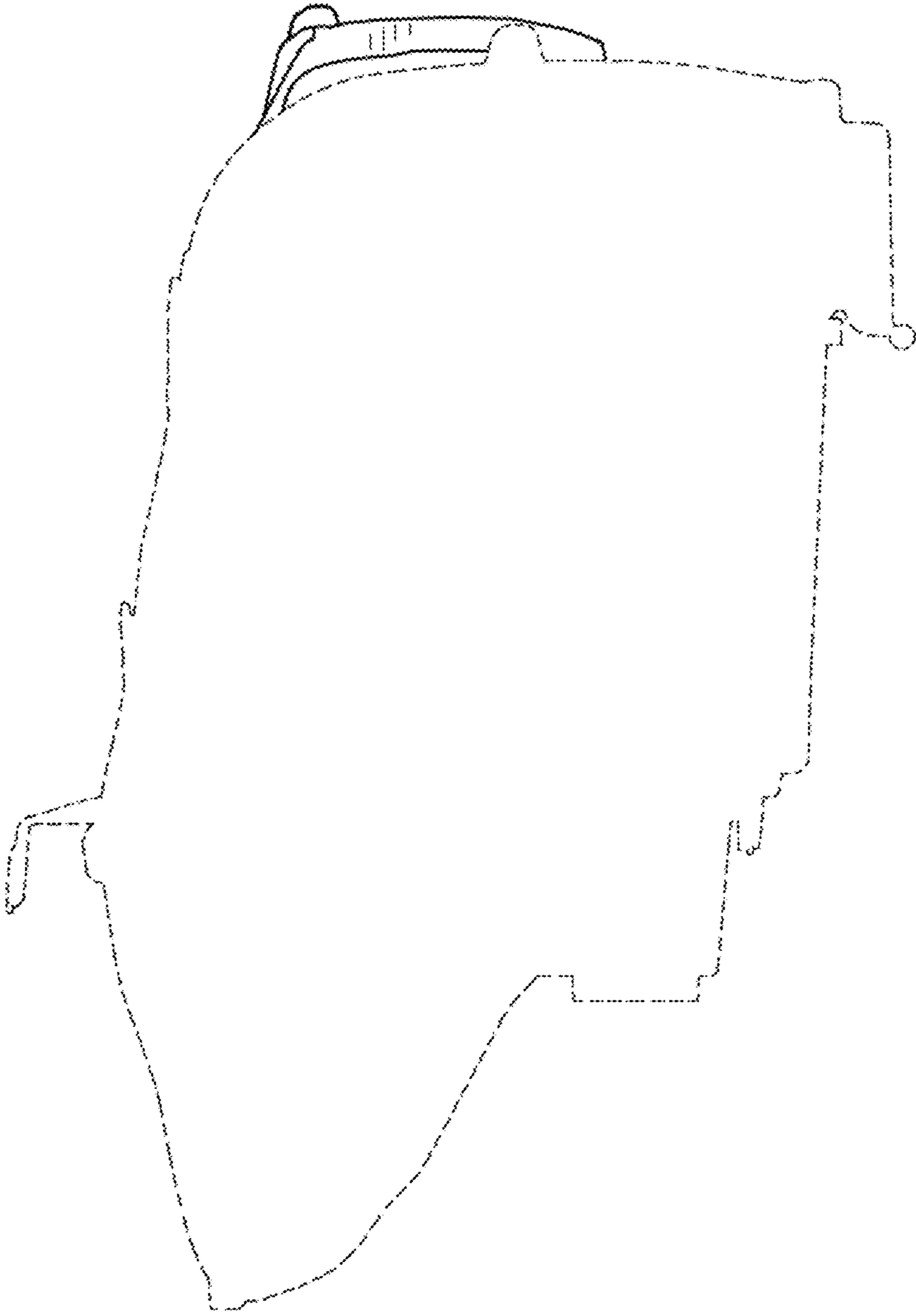


FIG. 4

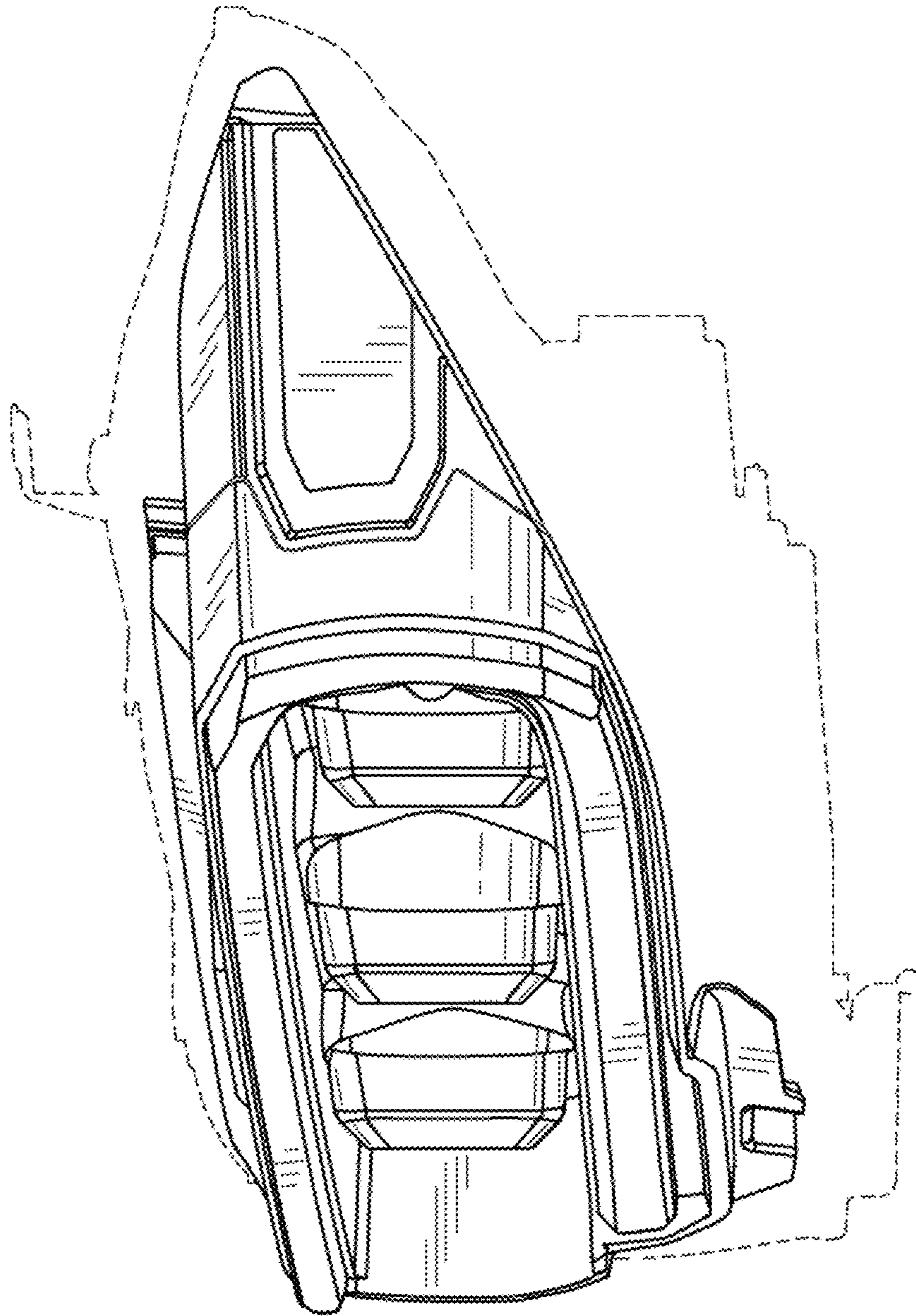


FIG. 5

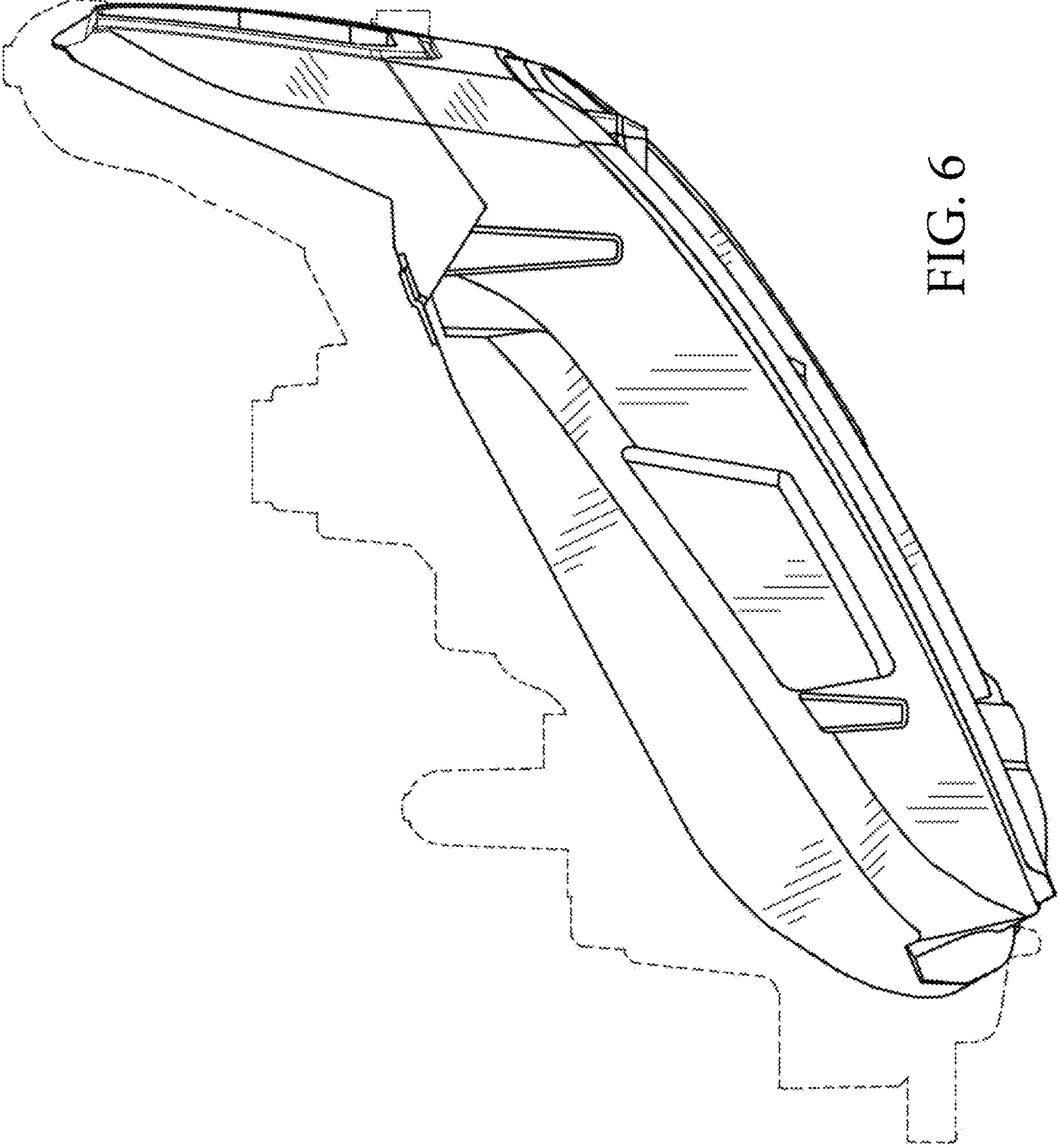


FIG. 6

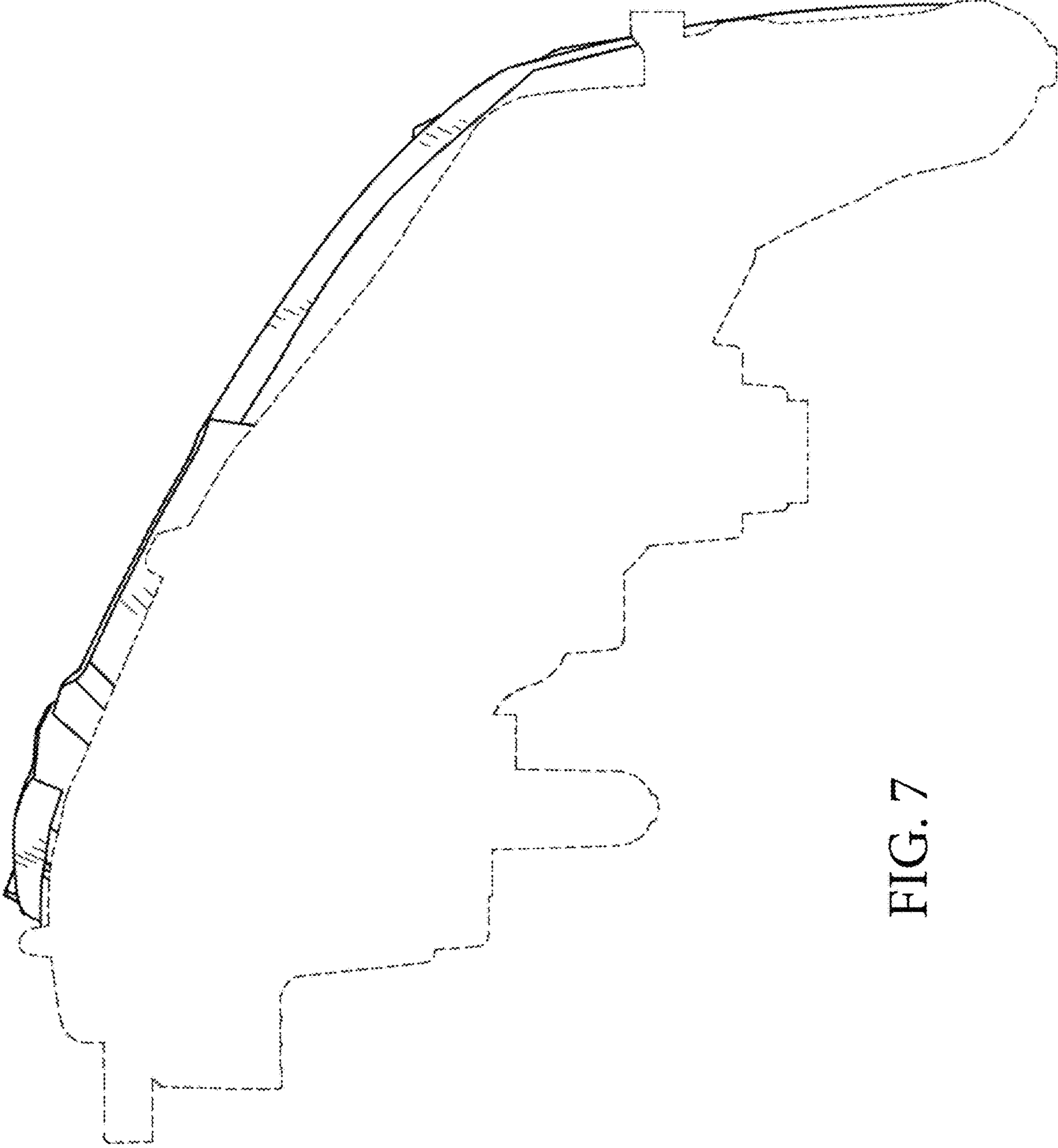


FIG. 7