



US00D870935S

(12) **United States Design Patent** (10) **Patent No.:** **US D870,935 S**
Wu (45) **Date of Patent:** **** Dec. 24, 2019**

(54) **VEHICLE LIGHT**

(56) **References Cited**

(71) Applicant: **COPLUS INC.**, Tainan (TW)

U.S. PATENT DOCUMENTS

(72) Inventor: **Po-Hua Wu**, Tainan (TW)

D544,114 S * 6/2007 Ohta D26/28
D561,358 S * 2/2008 Tachibana D26/28
D570,007 S * 5/2008 Hsu D26/28

(73) Assignee: **Coplus Inc.**, Tainan (TW)

* cited by examiner

(**) Term: **15 Years**

Primary Examiner — Marcus A Jackson

(21) Appl. No.: **29/666,689**

(74) *Attorney, Agent, or Firm* — Lewis Roca Rothgerber
Christie LLP

(22) Filed: **Oct. 15, 2018**

(57) **CLAIM**

(30) **Foreign Application Priority Data**

The ornamental design for a vehicle light, as shown and
described.

Jun. 15, 2018 (TW) 107303457

DESCRIPTION

(51) **LOC (12) Cl.** **26-06**

(52) **U.S. Cl.**
USPC **D26/28**

(58) **Field of Classification Search**
USPC D26/28-36, 139
CPC F21S 48/00; F21S 48/10; F21S 48/115;
F21S 48/225; F21S 48/1233; F21S
48/1266; F21S 48/1388; F21S 48/2268;
F21V 21/04; B60Q 9/13; B60Q 9/135;
B60Q 9/1375

FIG. 1 is a front perspective view of a vehicle light;
FIG. 2 is a front view thereof;
FIG. 3 is a rear view thereof;
FIG. 4 is a left side view thereof;
FIG. 5 is a right side view thereof;
FIG. 6 is a top view thereof; and,
FIG. 7 is a bottom view thereof.
The broken lines in the drawings are for illustrative purpose
only and form no part of the claimed design.

See application file for complete search history.

1 Claim, 6 Drawing Sheets

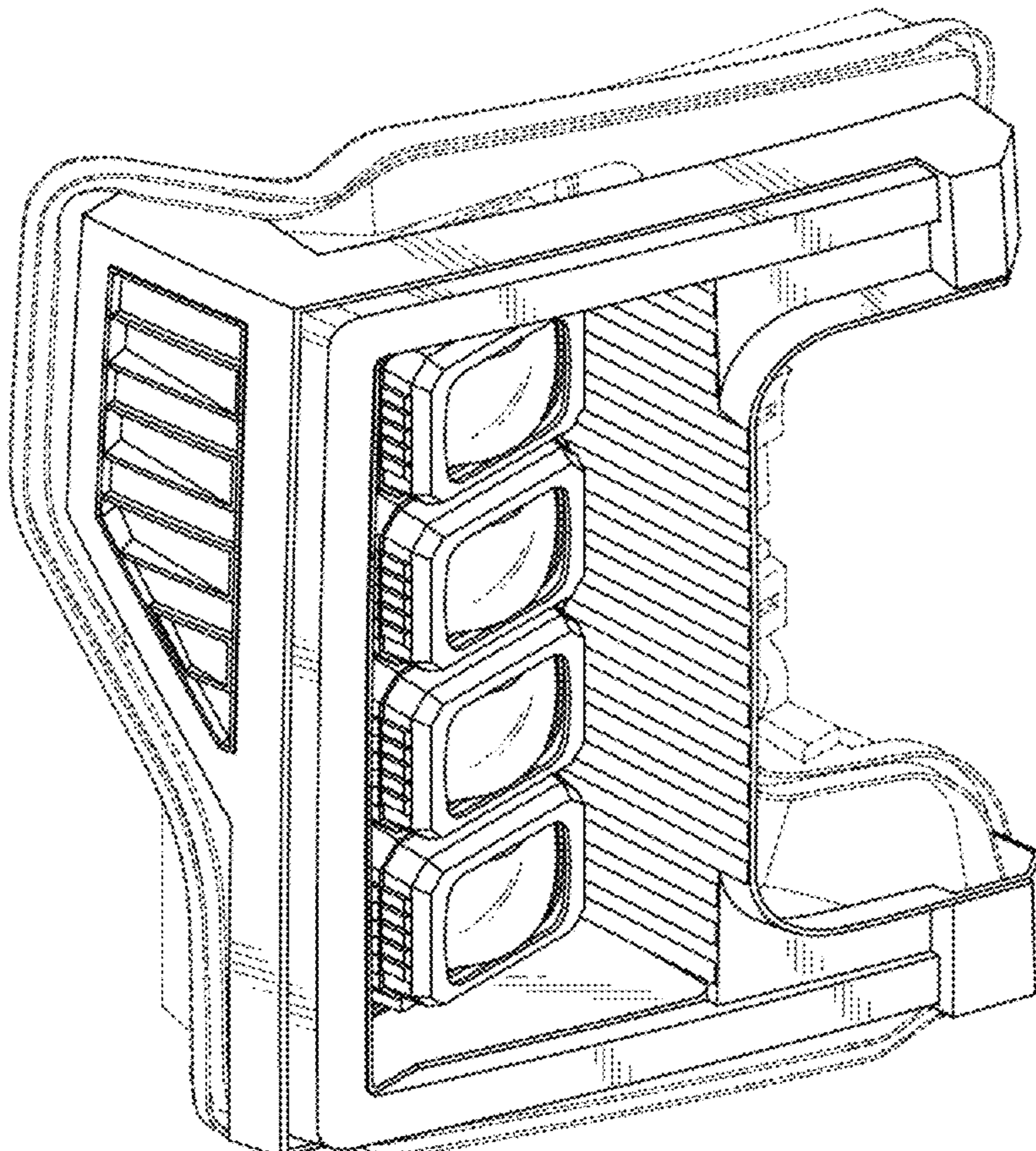
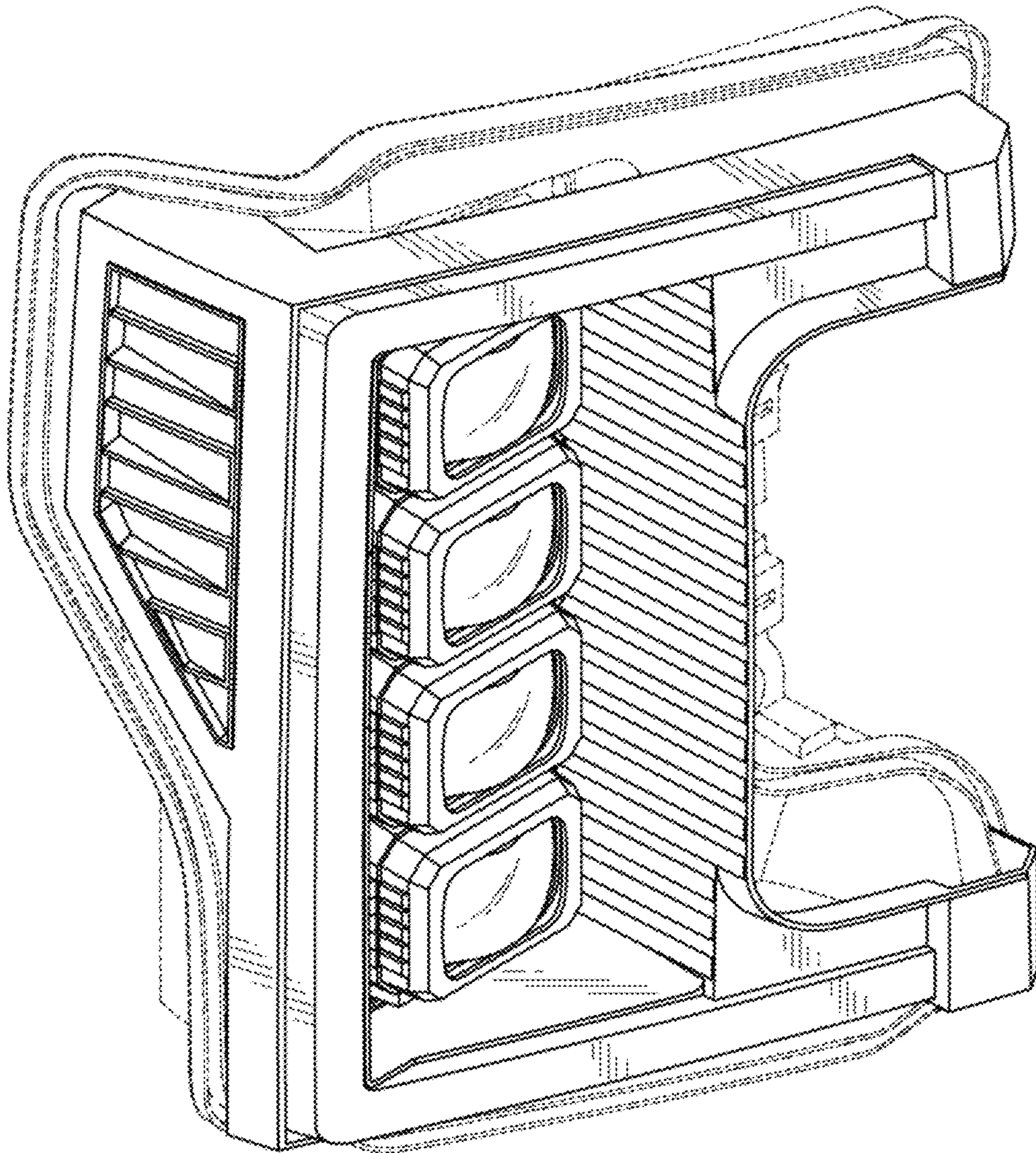


FIG. 1



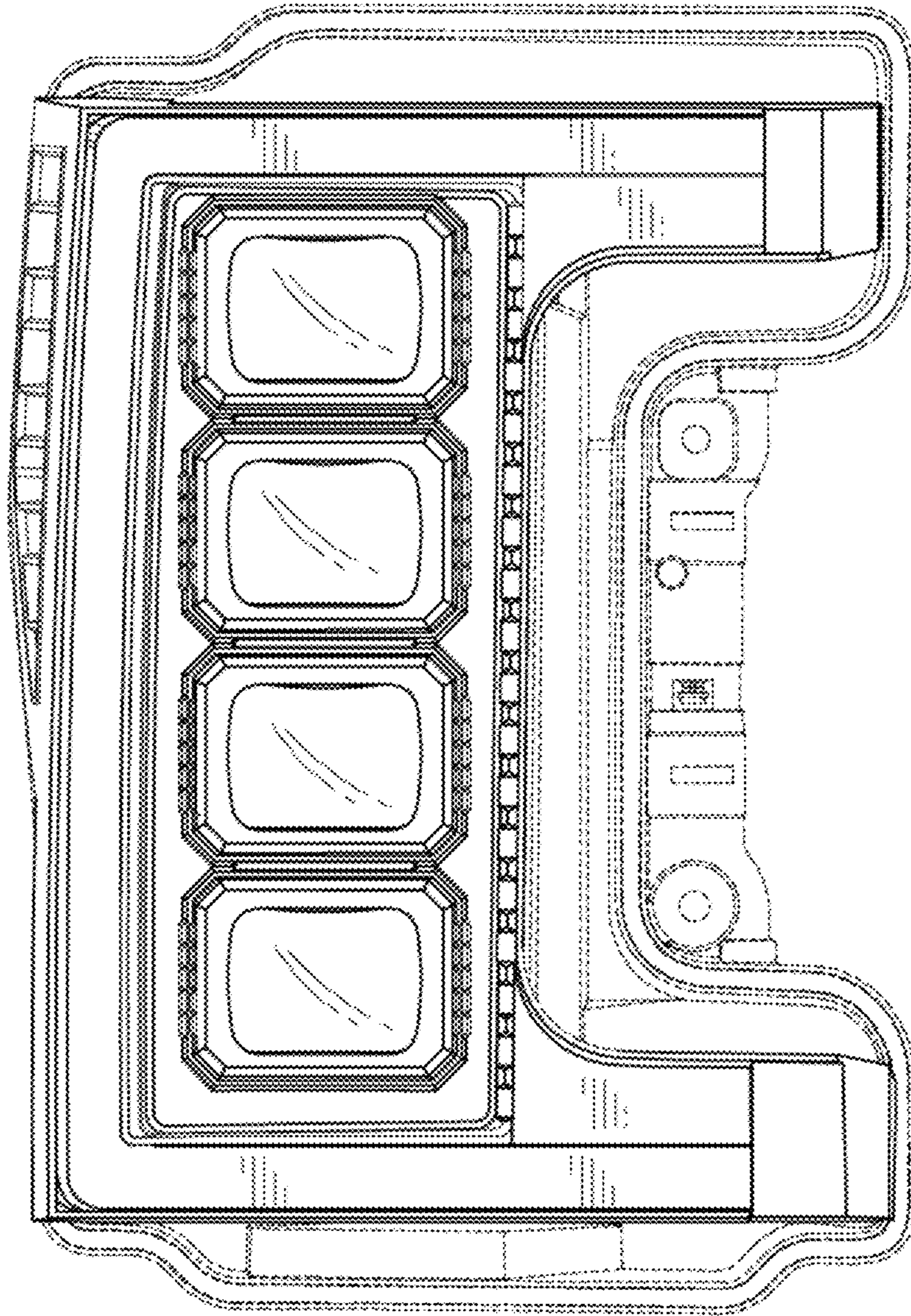


FIG. 2

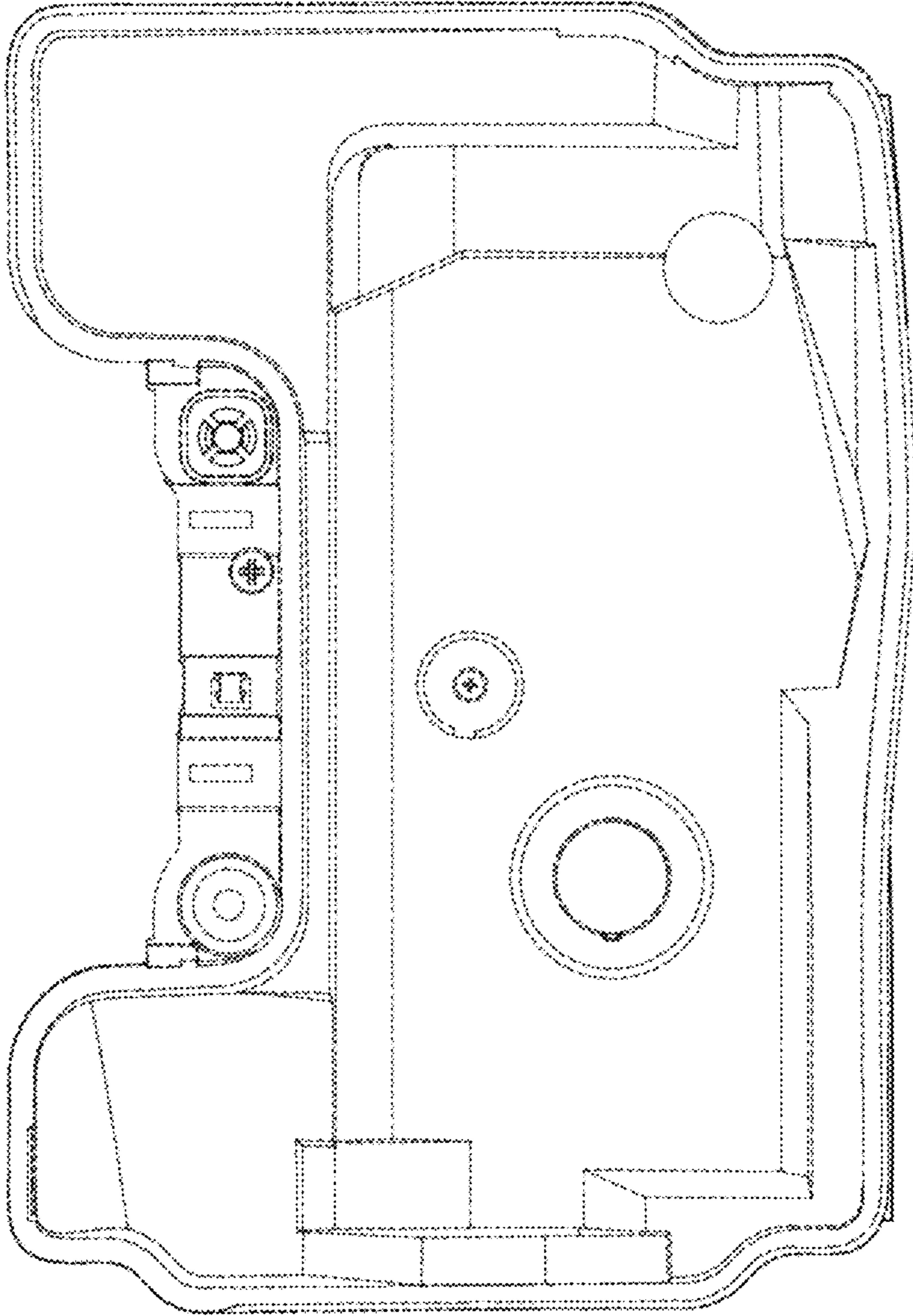


FIG. 3

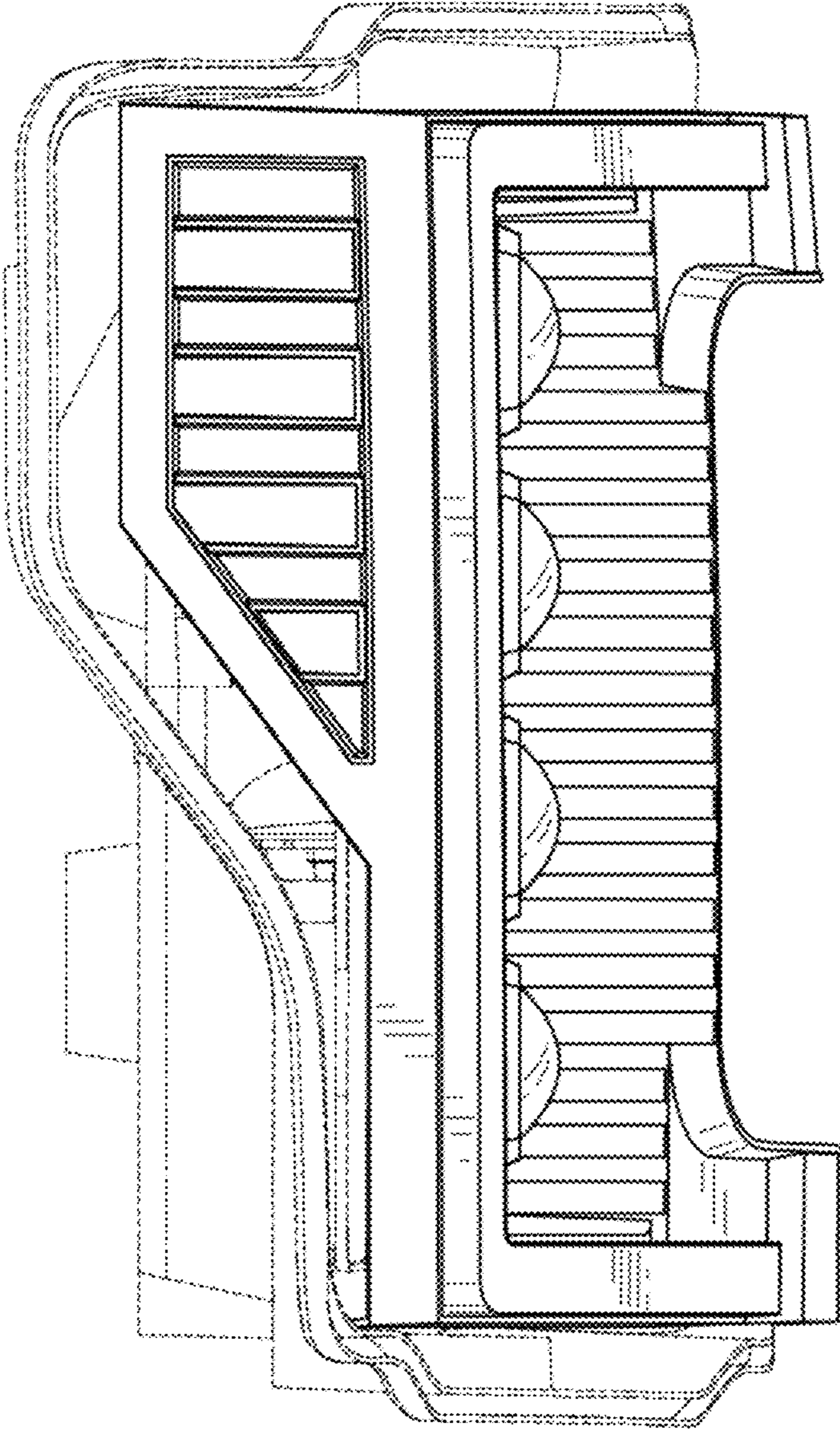


FIG. 4

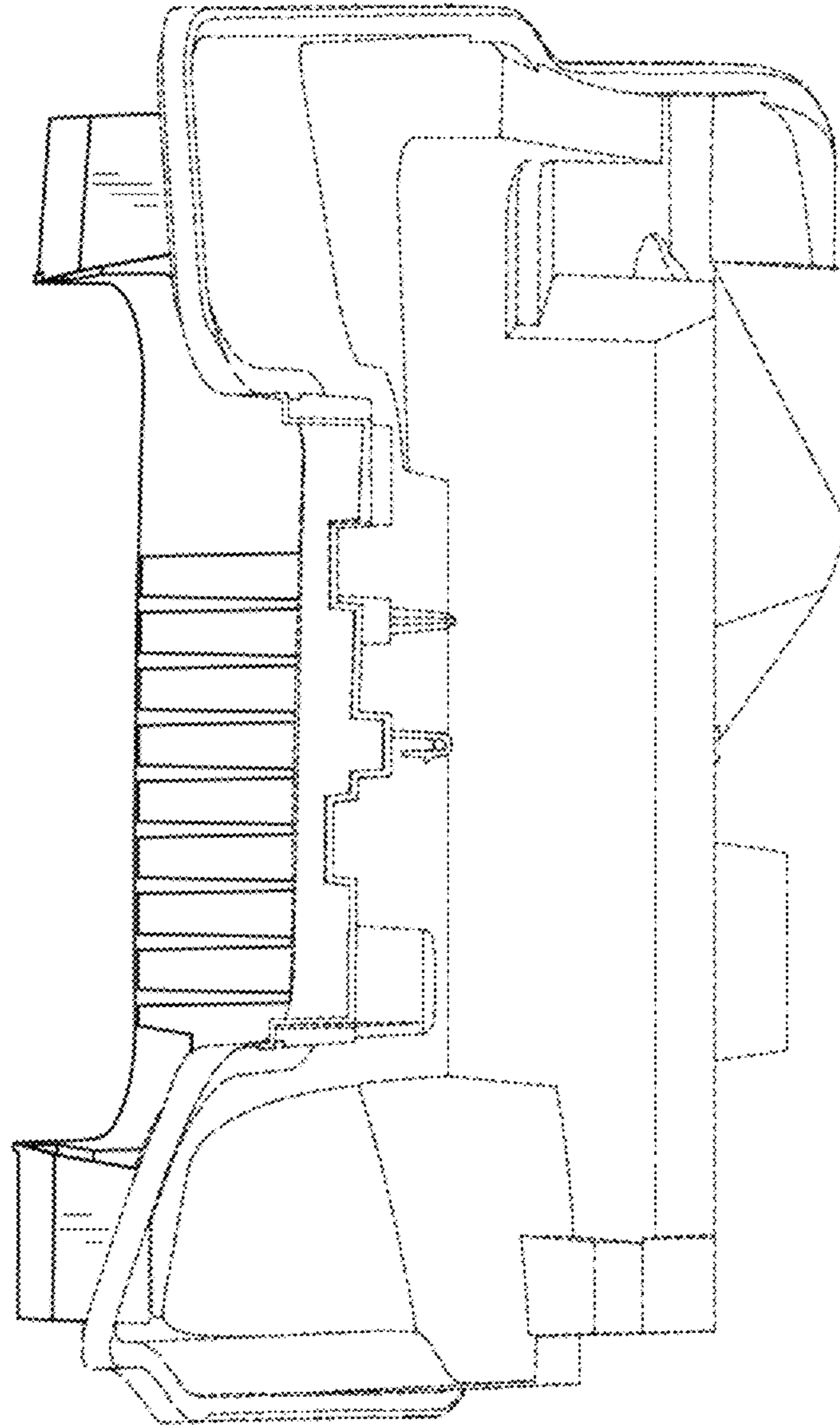


FIG. 5

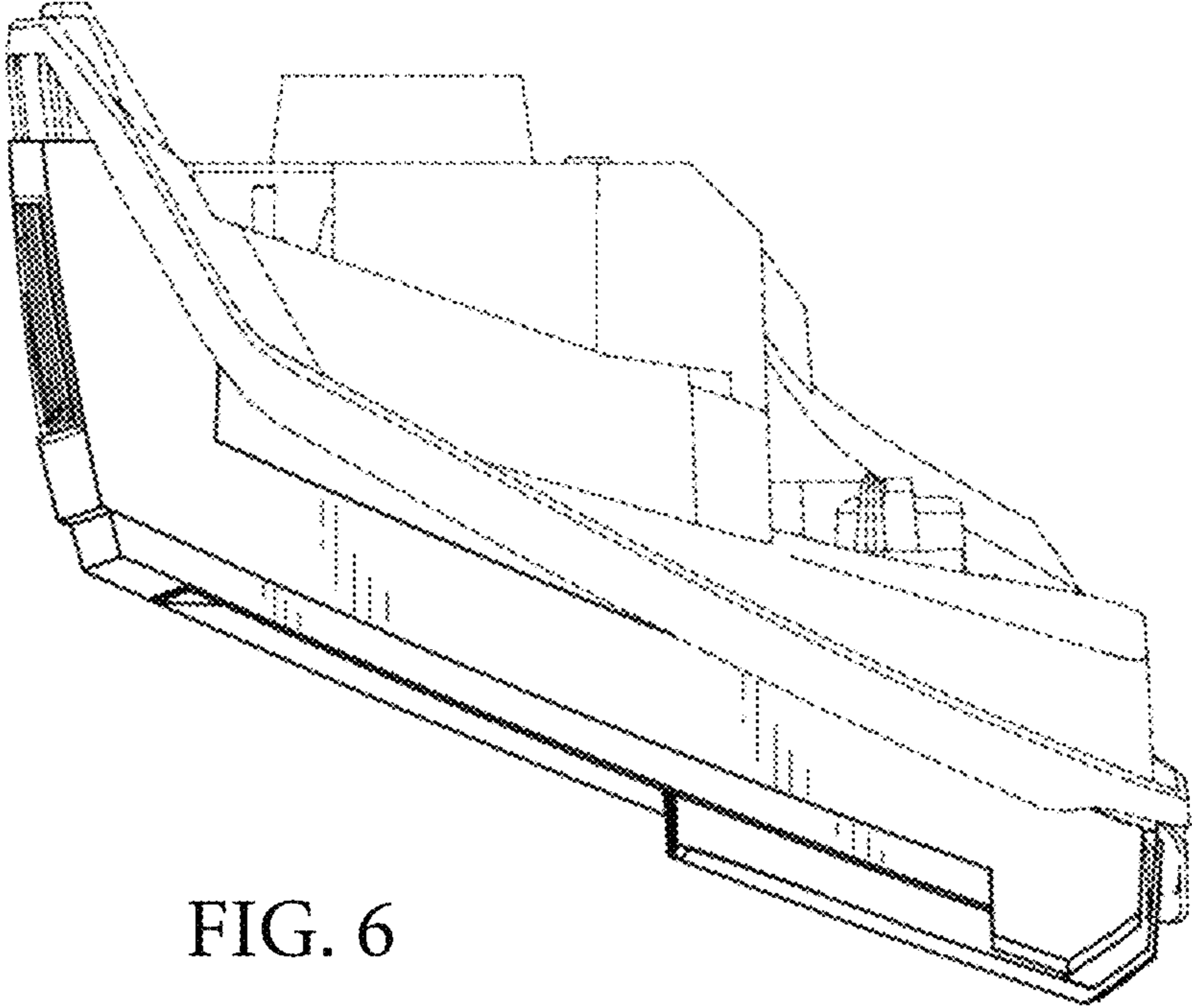


FIG. 6

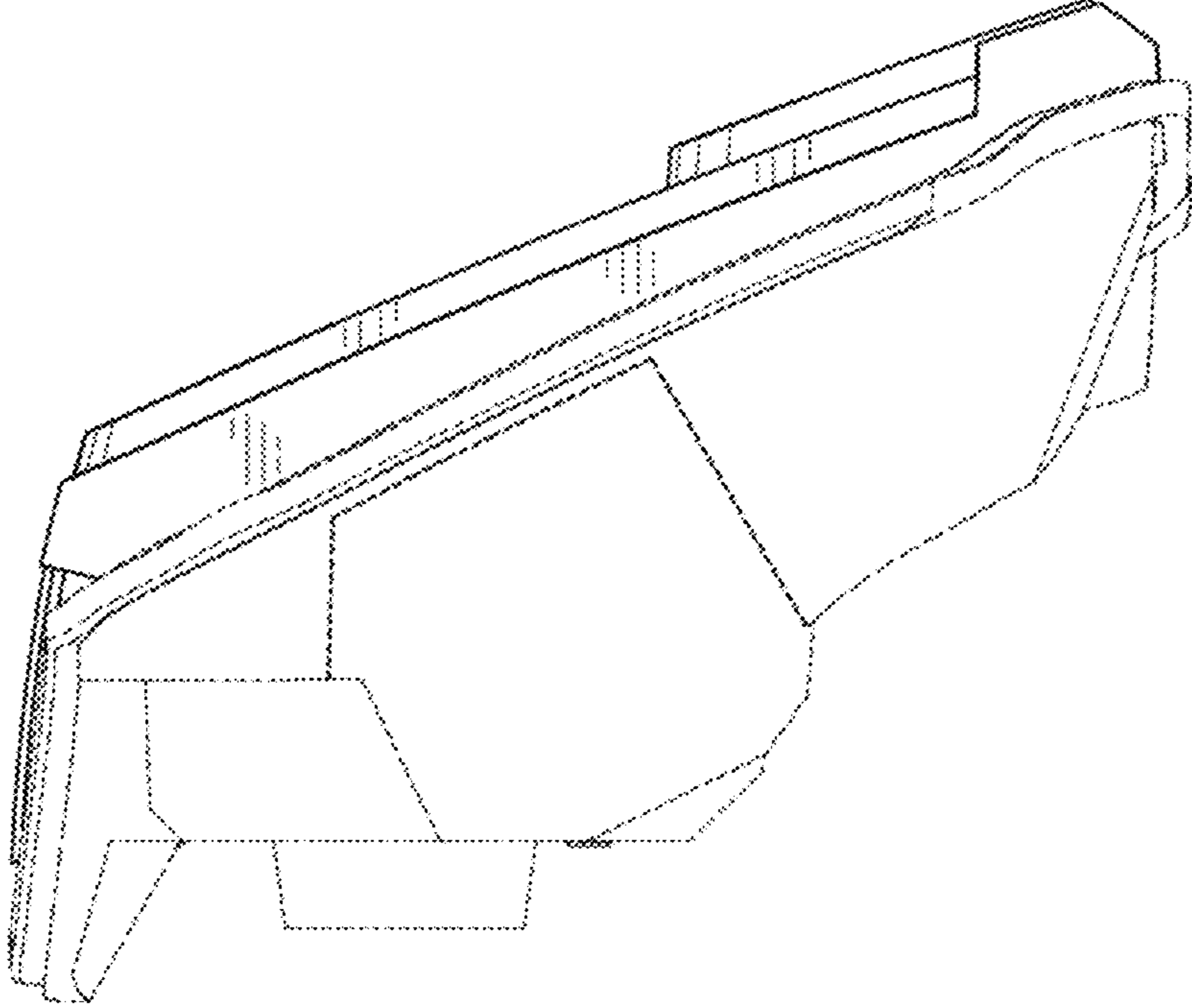


FIG. 7