



US00D870934S

(12) **United States Design Patent**
Wu

(10) **Patent No.:** **US D870,934 S**

(45) **Date of Patent:** **** Dec. 24, 2019**

(54) **VEHICLE LIGHT**

(71) Applicant: **COPLUS INC.**, Tainan (TW)

(72) Inventor: **Po-Hua Wu**, Tainan (TW)

(73) Assignee: **Coplus Inc.**, Tainan (TW)

(**) Term: **15 Years**

(21) Appl. No.: **29/665,689**

(22) Filed: **Oct. 5, 2018**

(30) **Foreign Application Priority Data**

Aug. 15, 2018 (TW) 107304764

(51) **LOC (12) Cl.** **26-06**

(52) **U.S. Cl.**
USPC **D26/28**

(58) **Field of Classification Search**

USPC D26/28-36, 139

CPC F21S 48/00; F21S 48/10; F21S 48/115;
F21S 48/225; F21S 48/1233; F21S
48/1266; F21S 48/1388; F21S 48/2268;
F21V 21/04; B60Q 9/13; B60Q 9/135;
B60Q 9/1375

See application file for complete search history.

(56) **References Cited**

U.S. PATENT DOCUMENTS

D634,868 S * 3/2011 Matei D26/28
D684,710 S * 6/2013 Chen D26/28

D723,723 S * 3/2015 Goto D26/28
D748,305 S * 1/2016 Miyazawa D26/28
D757,967 S * 5/2016 Kim D26/28
D780,354 S * 2/2017 Futamata D26/28
D780,966 S * 3/2017 Binder D26/28
D789,572 S * 6/2017 Peat D26/28
D798,478 S * 9/2017 Haeussinger D26/28

* cited by examiner

Primary Examiner — Marcus A Jackson

(74) *Attorney, Agent, or Firm* — Lewis Roca Rothgerber
Christie LLP

(57) **CLAIM**

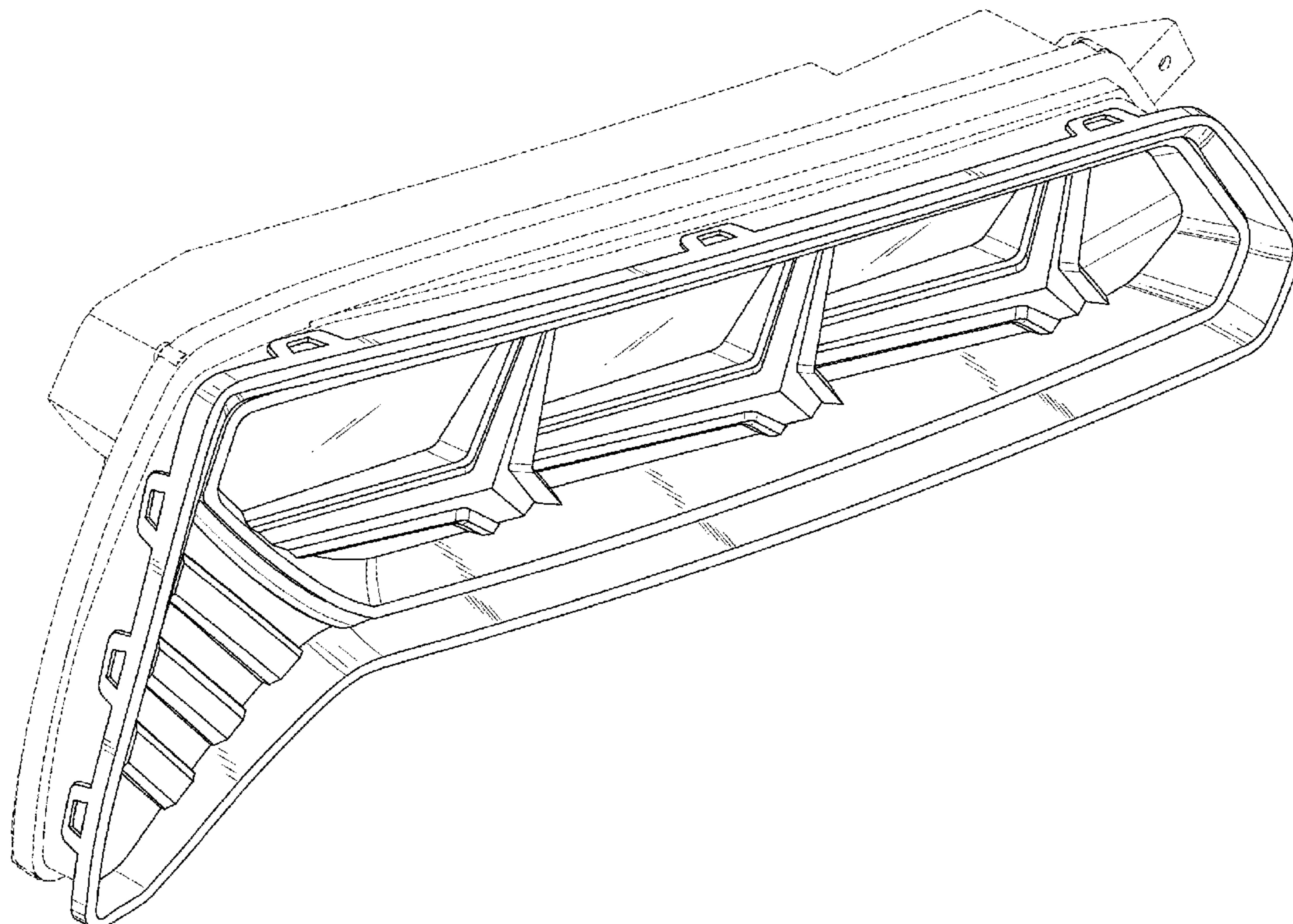
The ornamental design for a vehicle light, as shown and
described.

DESCRIPTION

FIG. 1 is a perspective view of the vehicle light;
FIG. 2 is a front view thereof;
FIG. 3 is a rear view thereof;
FIG. 4 is a left side view thereof;
FIG. 5 is a right side view thereof;
FIG. 6 is a top view thereof; and,
FIG. 7 is a bottom view.

The broken lines in the drawings are for illustrative purpose
only and form no part of the claimed design.

1 Claim, 6 Drawing Sheets



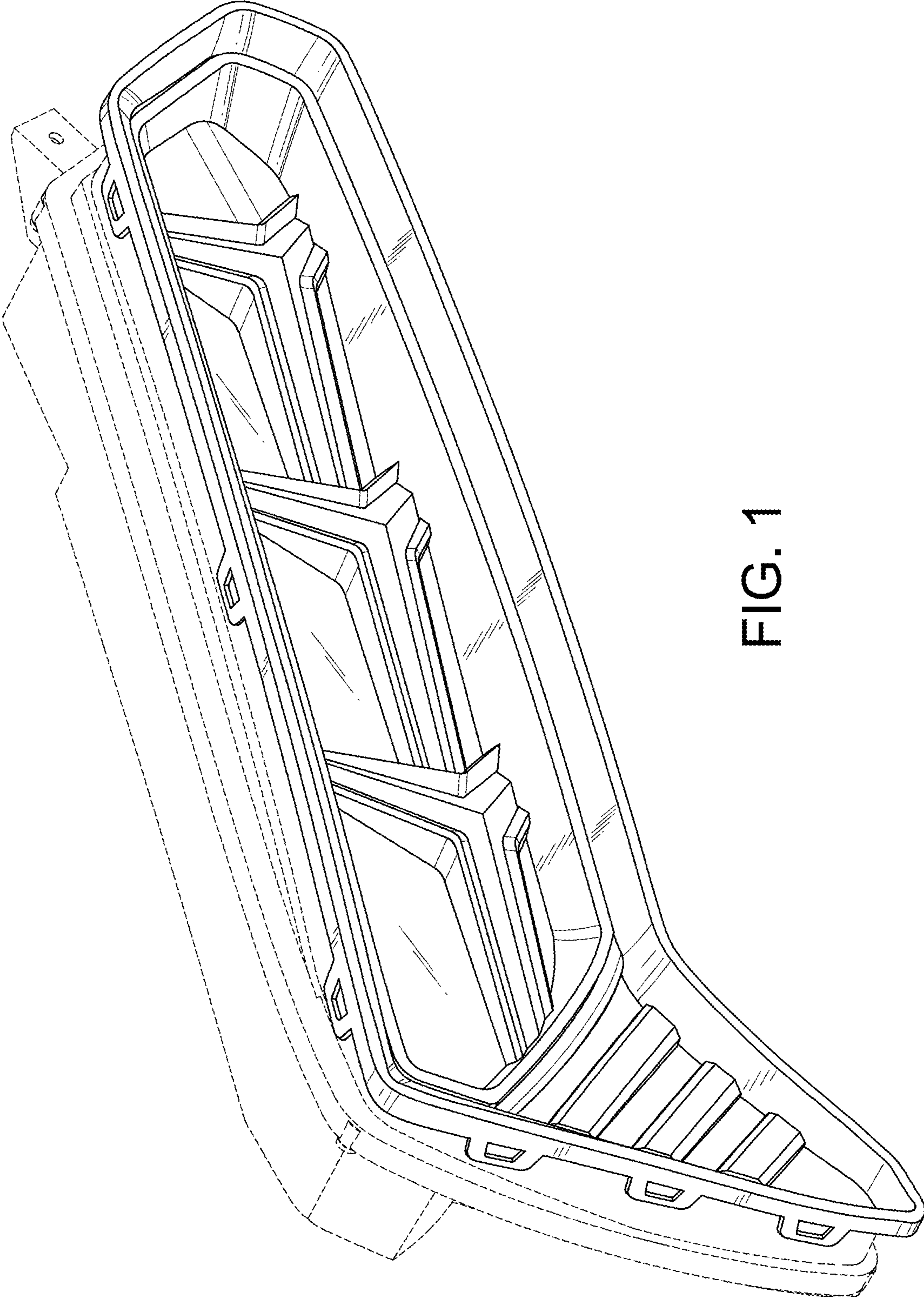


FIG. 1

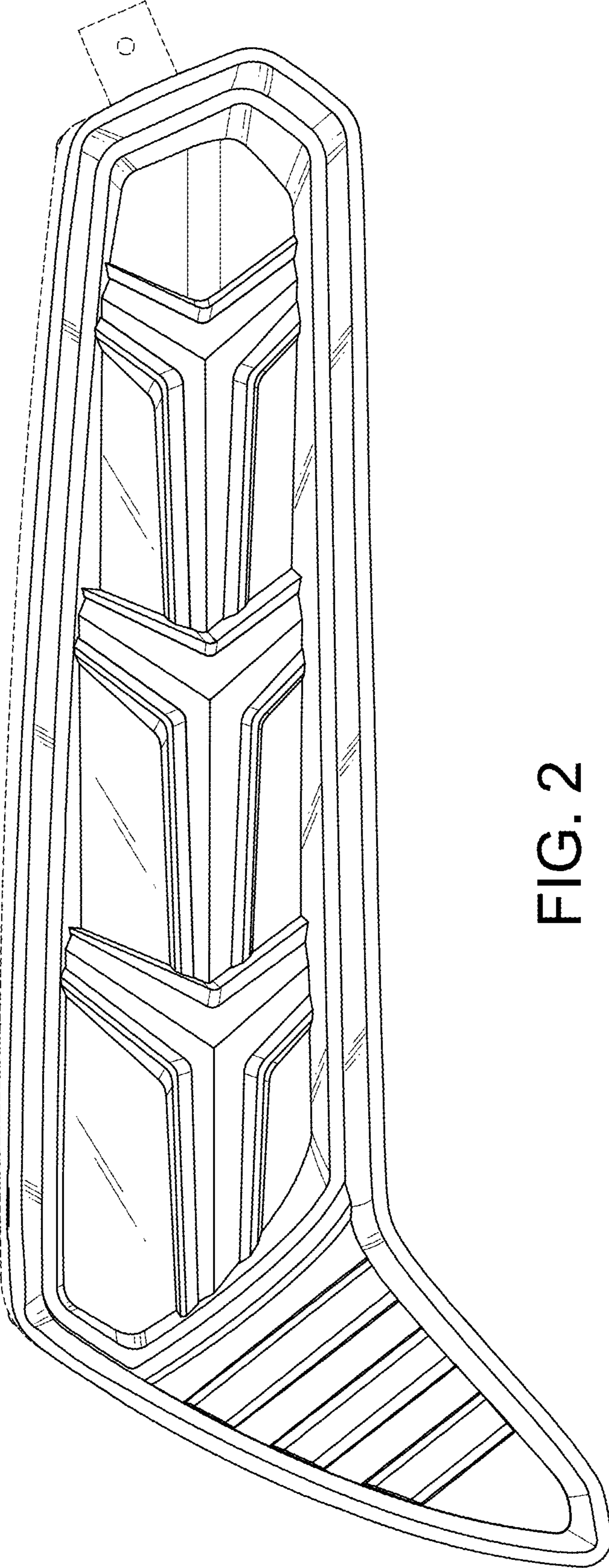


FIG. 2

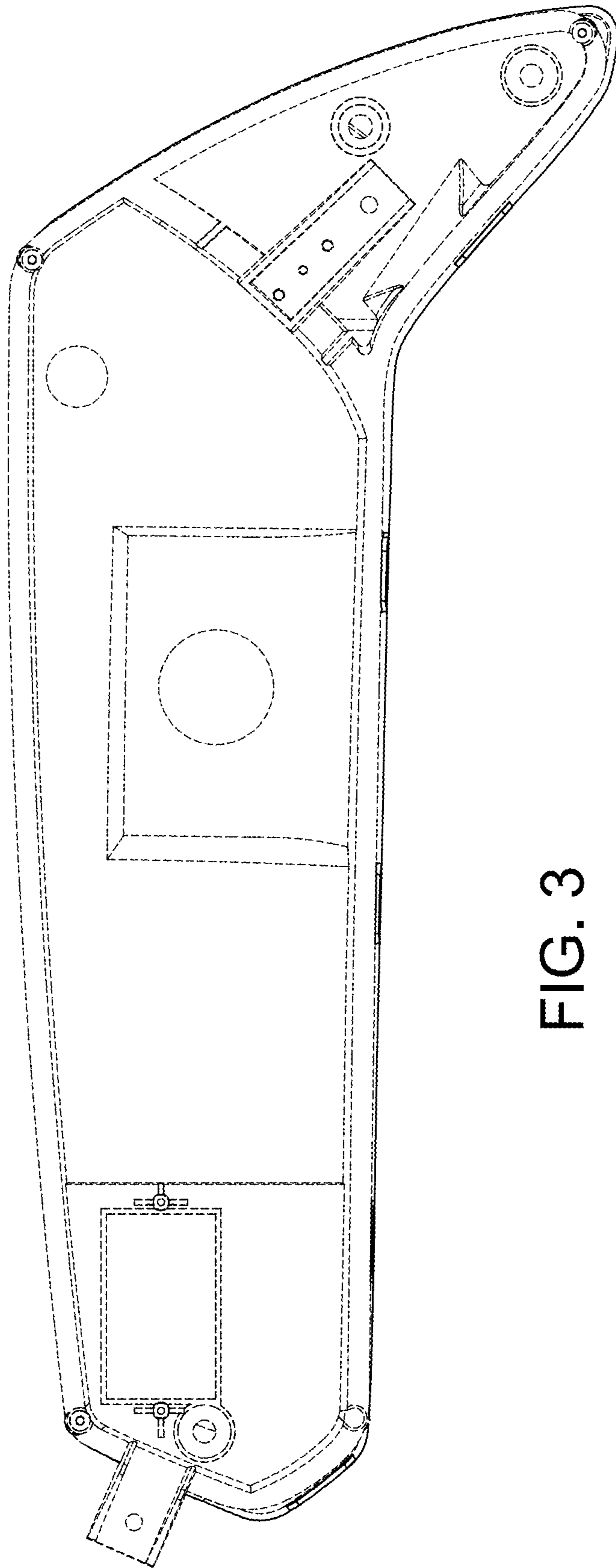


FIG. 3

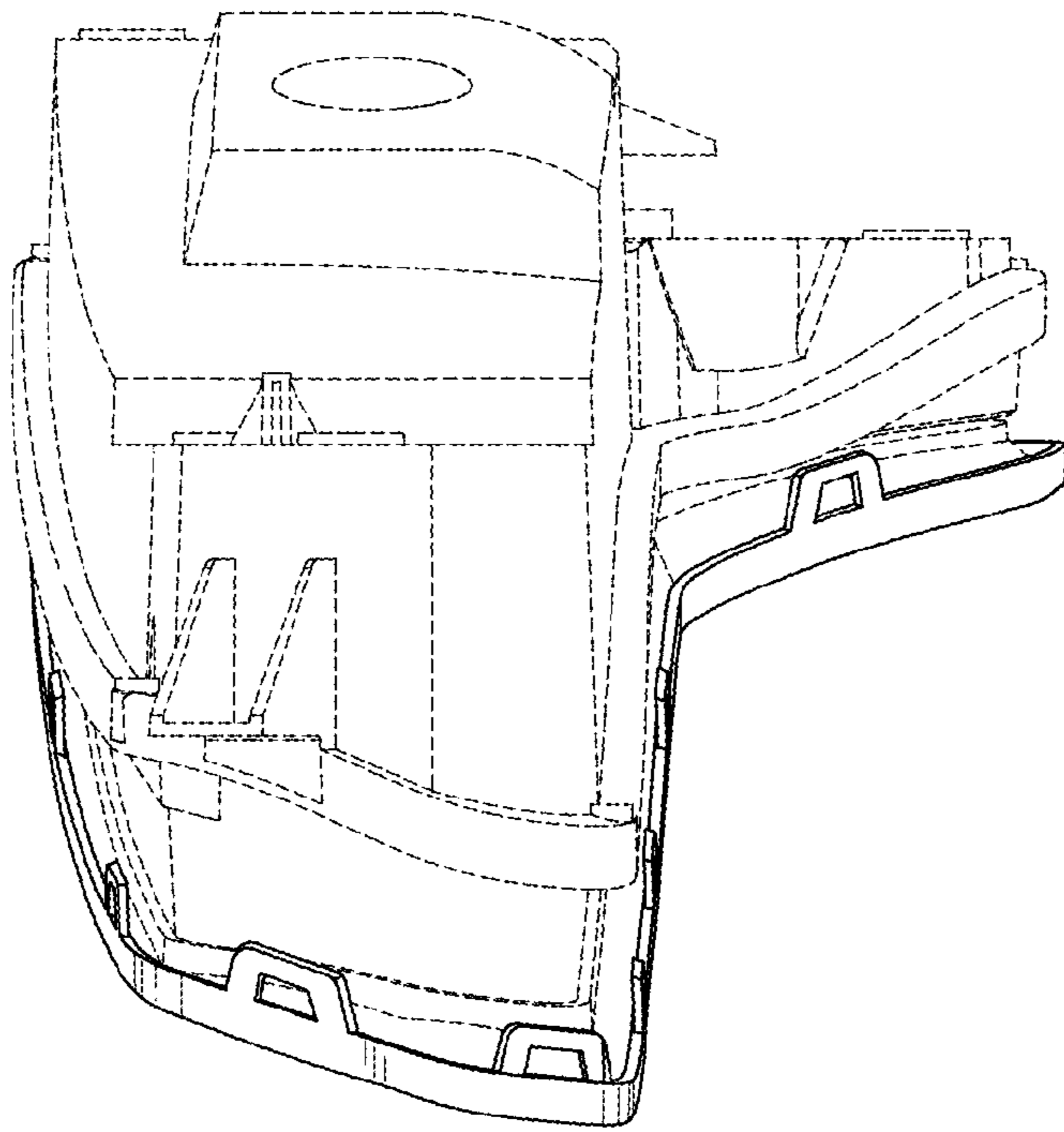


FIG. 5

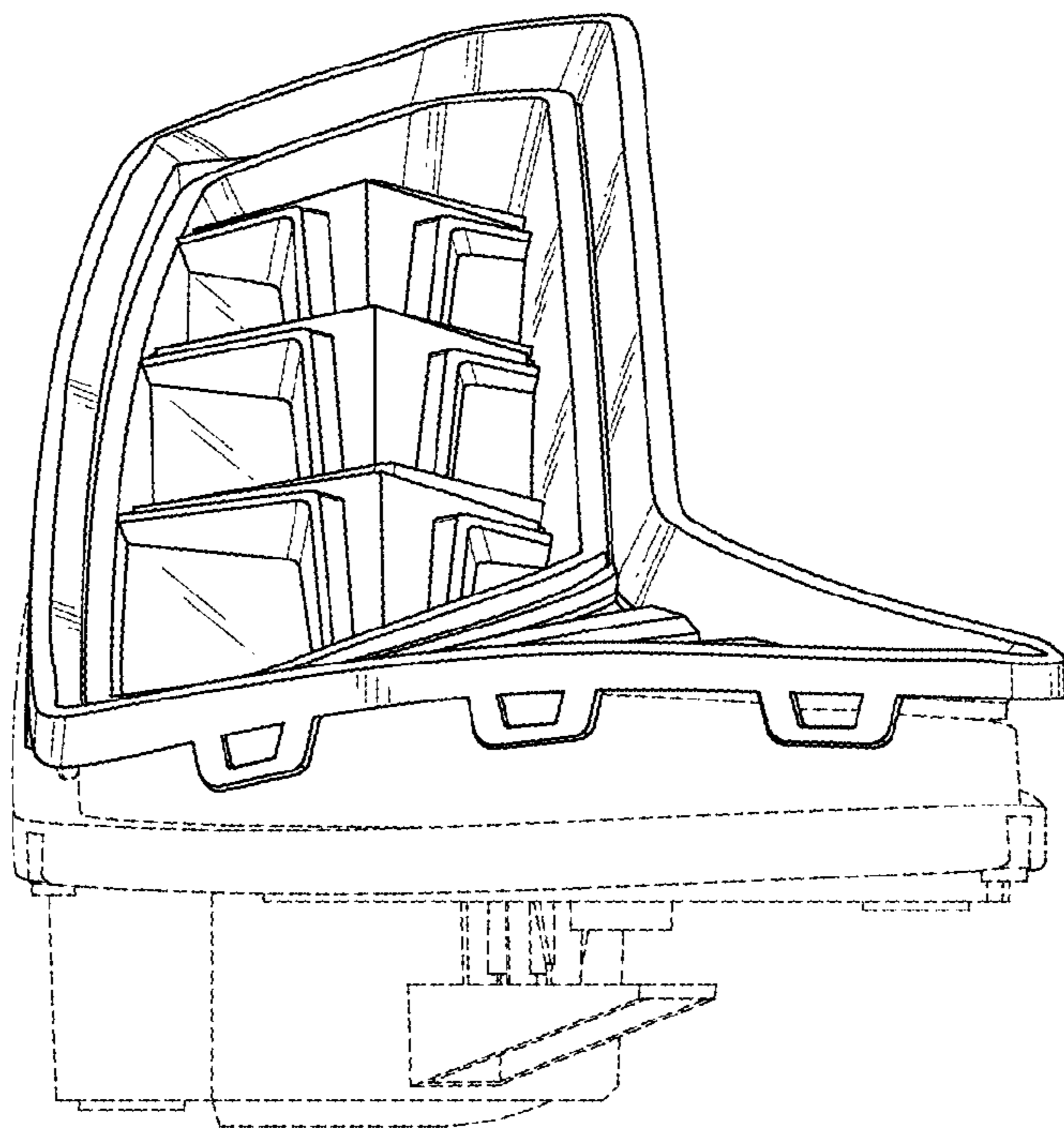


FIG. 4

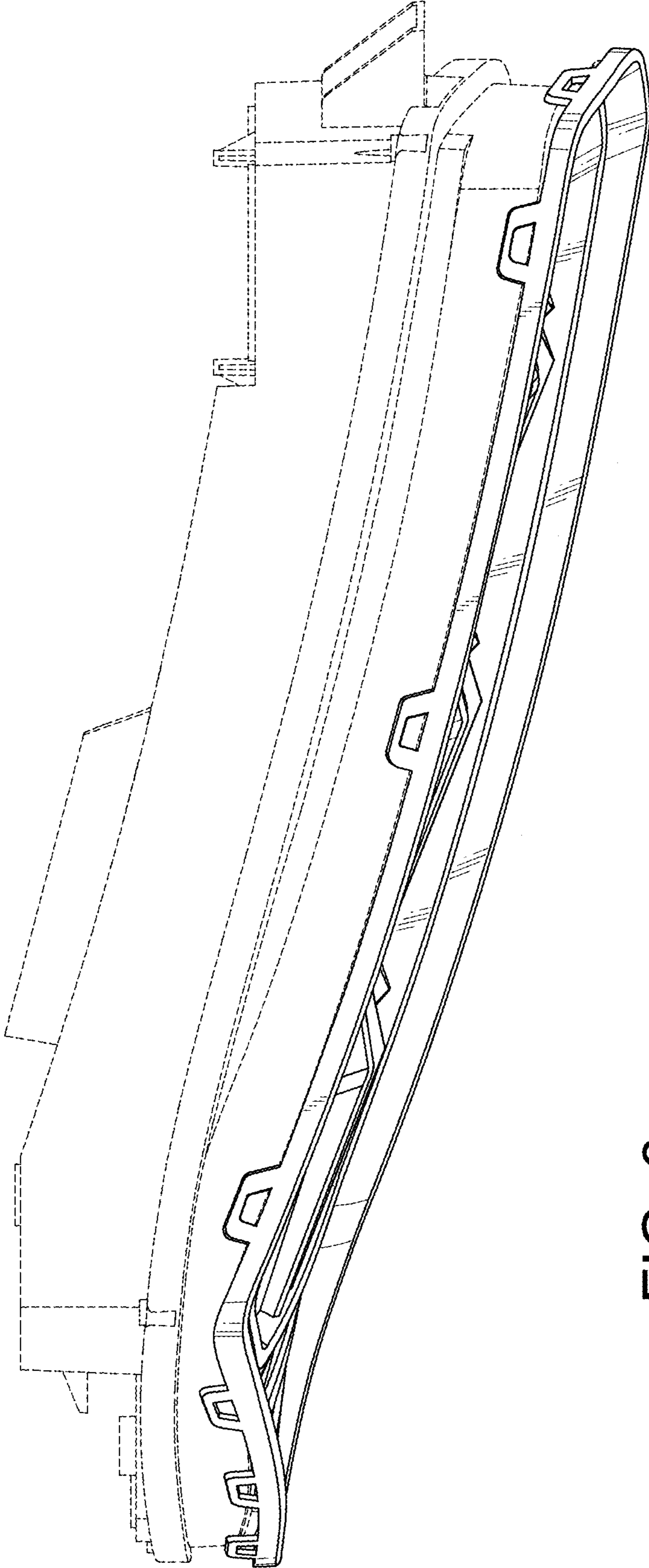


FIG. 6

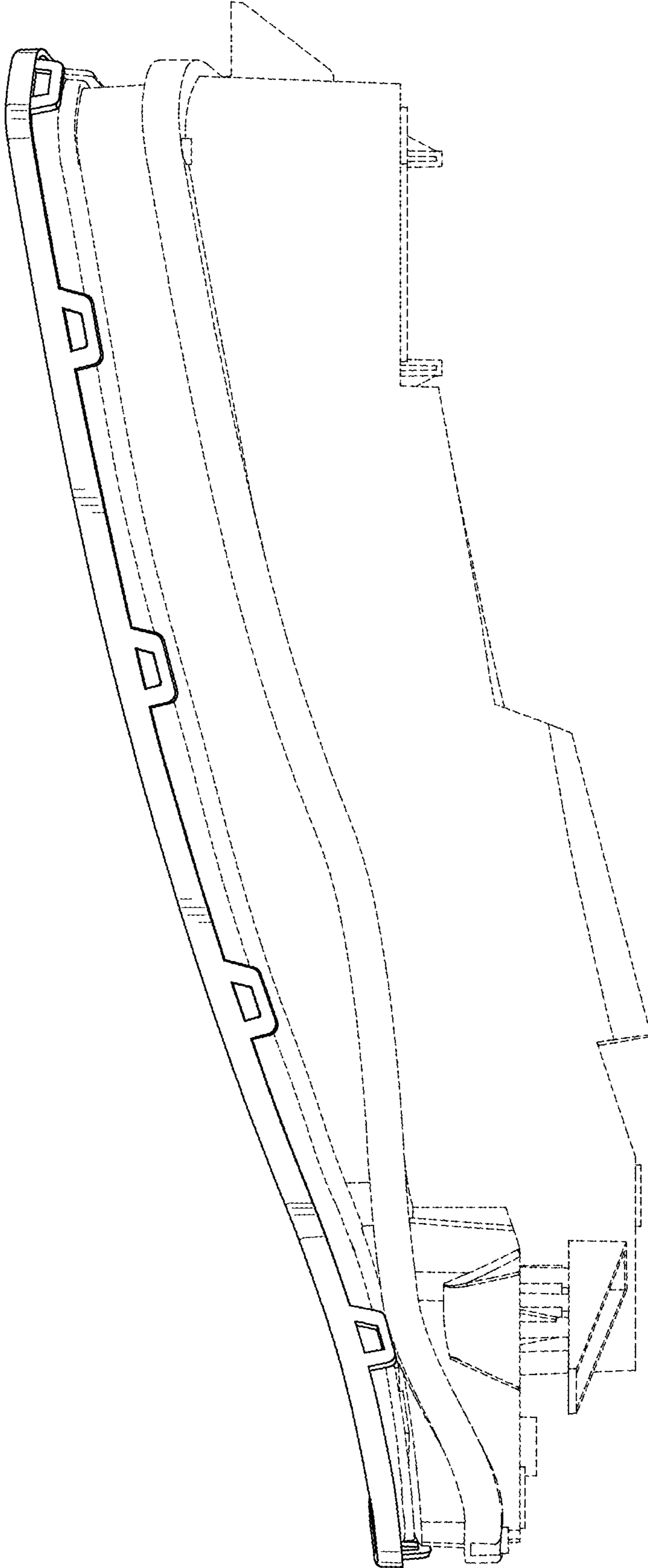


FIG. 7