



US00D870932S

(12) **United States Design Patent**
Lin

(10) **Patent No.:** **US D870,932 S**

(45) **Date of Patent:** **** Dec. 24, 2019**

(54) **AUTOMOBILE HEADLIGHT**

(71) Applicant: **Chi-Chung Lin**, Hsinchu (TW)

(72) Inventor: **Chi-Chung Lin**, Hsinchu (TW)

(**) Term: **15 Years**

(21) Appl. No.: **29/650,382**

(22) Filed: **Jun. 6, 2018**

(51) **LOC (12) Cl.** **26-06**

(52) **U.S. Cl.**
USPC **D26/28**

(58) **Field of Classification Search**
USPC D26/28, 29, 30, 31, 32, 33, 34, 35, 36;
362/459-468, 475-478, 485-487
CPC F21S 48/00; F21S 48/10; F21S 48/115;
F21S 48/225; F21S 48/1233; F21S
48/1266; F21S 48/1388; F21S 48/2268;
F21V 21/04

See application file for complete search history.

(56) **References Cited**

U.S. PATENT DOCUMENTS

D716,479 S 10/2014 Sperling
D794,853 S * 8/2017 Lai D26/28

D797,332 S * 9/2017 Lin D26/28
D807,549 S * 1/2018 Lin D26/28
D809,682 S * 2/2018 Lin D26/28
D820,487 S * 6/2018 Lai D26/28
D824,058 S * 7/2018 Hong D26/28
D830,591 S * 10/2018 Lai D26/28
D831,245 S * 10/2018 Lin D26/28
D838,019 S * 1/2019 Lin D26/28
D841,201 S * 2/2019 Badstuebner D26/28
D841,204 S * 2/2019 Badstuebner D26/28

* cited by examiner

Primary Examiner — Angela J Lee

(74) *Attorney, Agent, or Firm* — Alexander Chen, Esq.;
Inhouse Co. Law Firm

(57) **CLAIM**

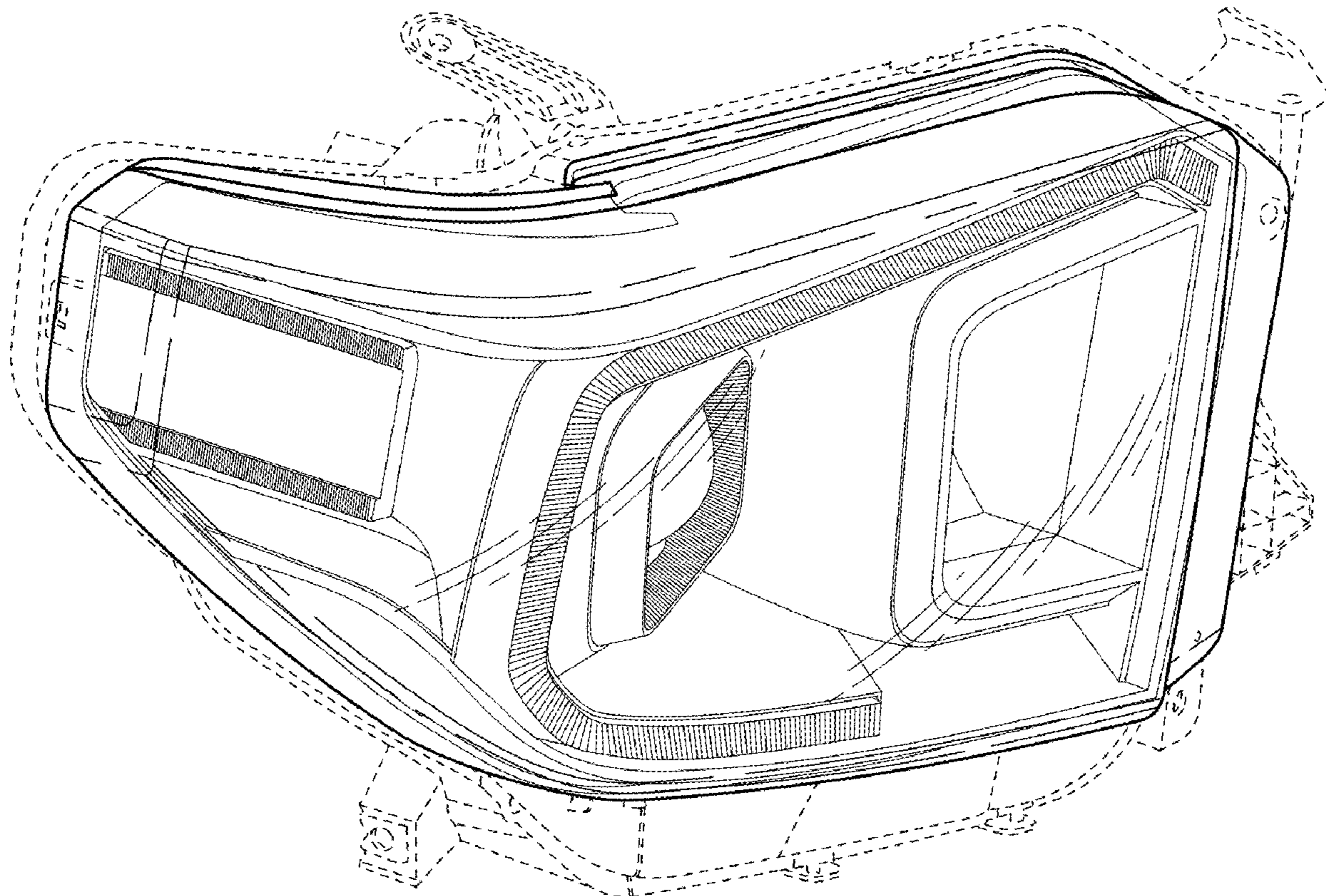
The ornamental design for an automobile headlight, as shown and described.

DESCRIPTION

FIG. 1 is a perspective view of an automobile headlight;
FIG. 2 is a front view thereof; and,
FIG. 3 is a side view thereof.

The broken lines are included to show environmental structure and form no part of the claimed design. The drawings and descriptions represent the left side embodiment. The claim is also for a mirror image right side embodiment.

1 Claim, 3 Drawing Sheets



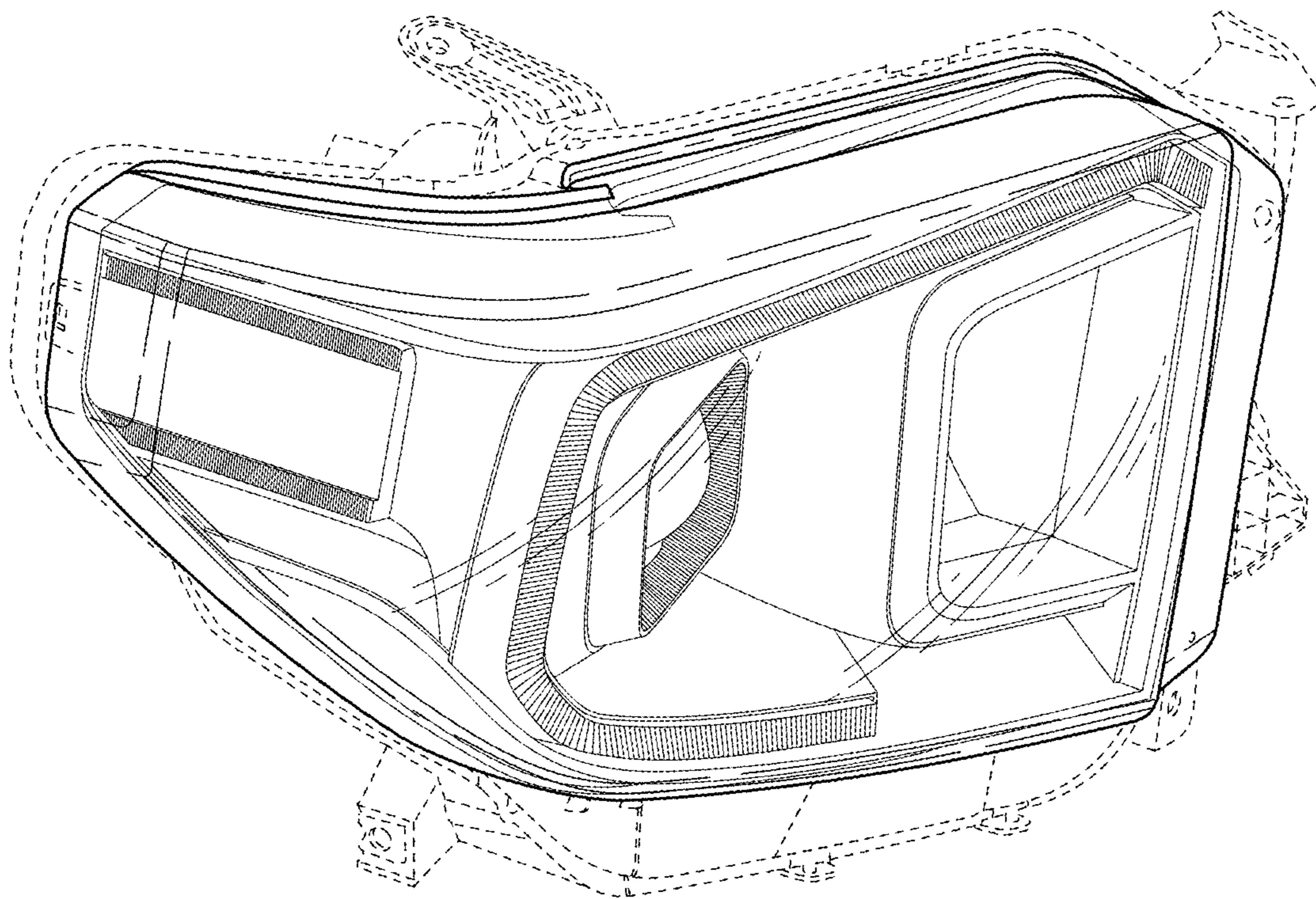


FIG. 1

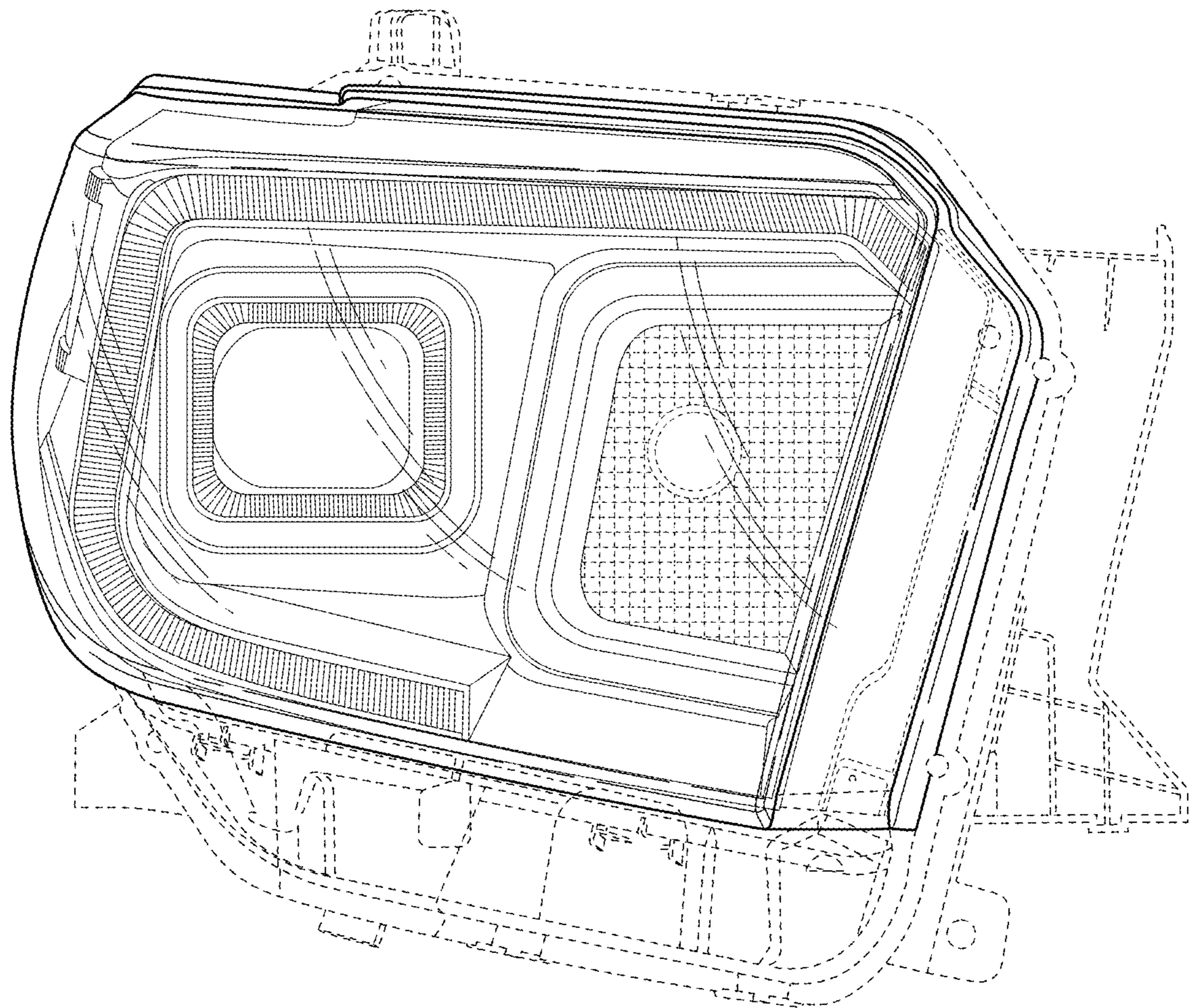


FIG. 2

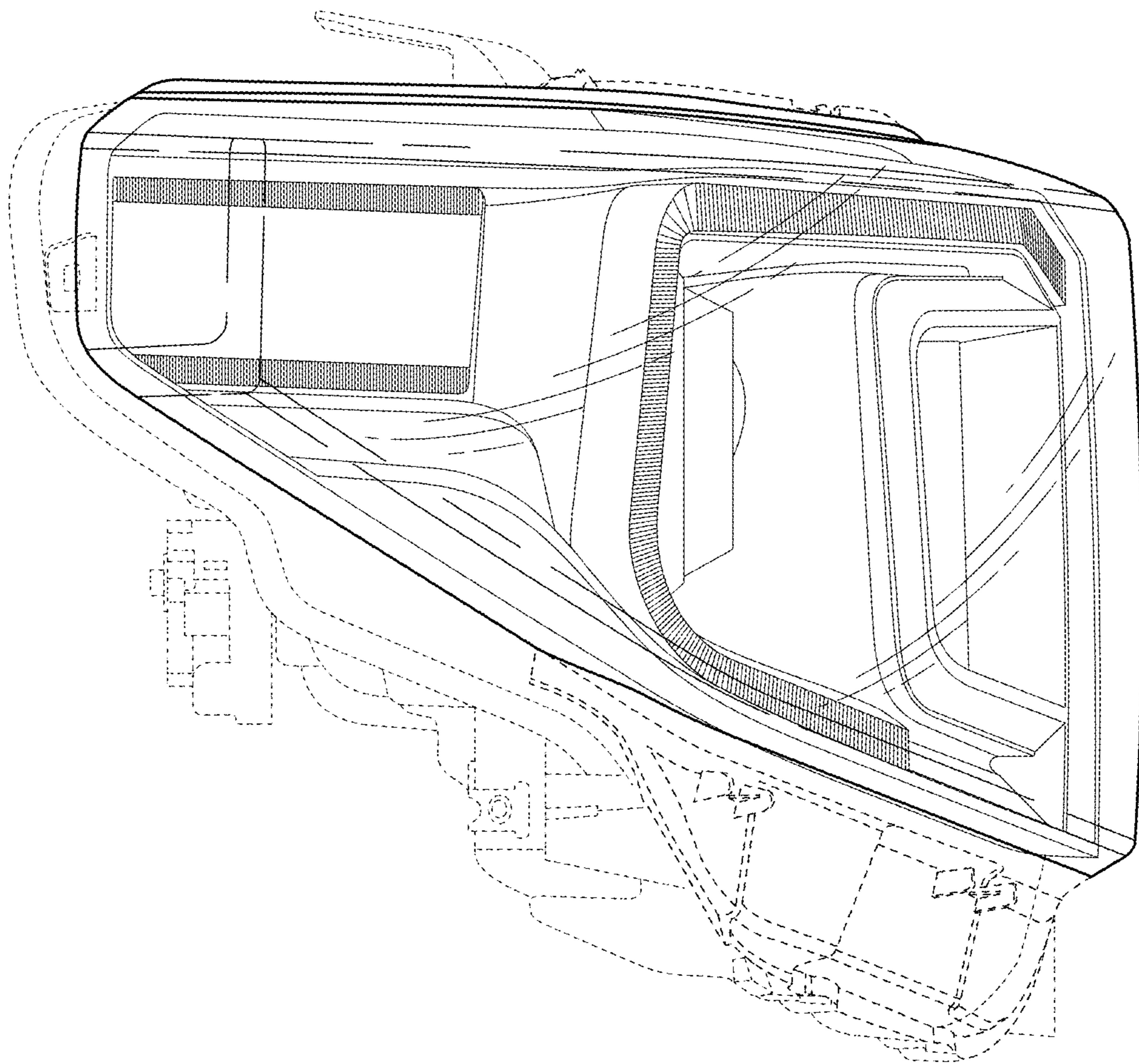


FIG. 3