



US00D870930S

(12) **United States Design Patent** (10) **Patent No.:** **US D870,930 S**  
**Woodhouse et al.** (45) **Date of Patent:** **\*\* Dec. 24, 2019**

(54) **VEHICLE TAIL LAMP**

(71) Applicant: **Ford Global Technologies, LLC**,  
Dearborn, MI (US)

(72) Inventors: **David Woodhouse**, Troy, MI (US);  
**Kemal Curic**, Irvine, CA (US); **Xitij**  
**Mistry**, Ann Arbor, MI (US); **Mark**  
**Kaski**, Royal Oak, MI (US)

(73) Assignee: **Ford Global Technologies, LLC**,  
Dearborn, MI (US)

(\*\*) Term: **15 Years**

(21) Appl. No.: **29/641,727**

(22) Filed: **Mar. 23, 2018**

(51) **LOC (12) Cl.** ..... **26-06**

(52) **U.S. Cl.**  
USPC ..... **D26/28**

(58) **Field of Classification Search**  
USPC ..... D26/28-36, 139  
CPC ..... F21S 48/00; F21S 48/10; F21S 48/115;  
F21S 48/225; F21S 48/1233; F21S  
48/1266; F21S 48/1388; F21S 48/2268;  
F21V 21/04; B60Q 9/13; B60Q 9/135;  
B60Q 9/1375

See application file for complete search history.

(56) **References Cited**

**U.S. PATENT DOCUMENTS**

D803,438 S	*	11/2017	Badstuebner	.....	D26/28
D803,439 S	*	11/2017	Oh	.....	D26/28
D806,921 S	*	1/2018	Ryu	.....	D26/28
D810,974 S	*	2/2018	Sato	.....	D26/28
D811,633 S	*	2/2018	Gould	.....	D26/28
D812,263 S	*	3/2018	Minamiyama	.....	D26/28
D812,789 S	*	3/2018	Dos Santos	.....	D26/28

\* cited by examiner

*Primary Examiner* — Marcus A Jackson

(74) *Attorney, Agent, or Firm* — Vichit Chea

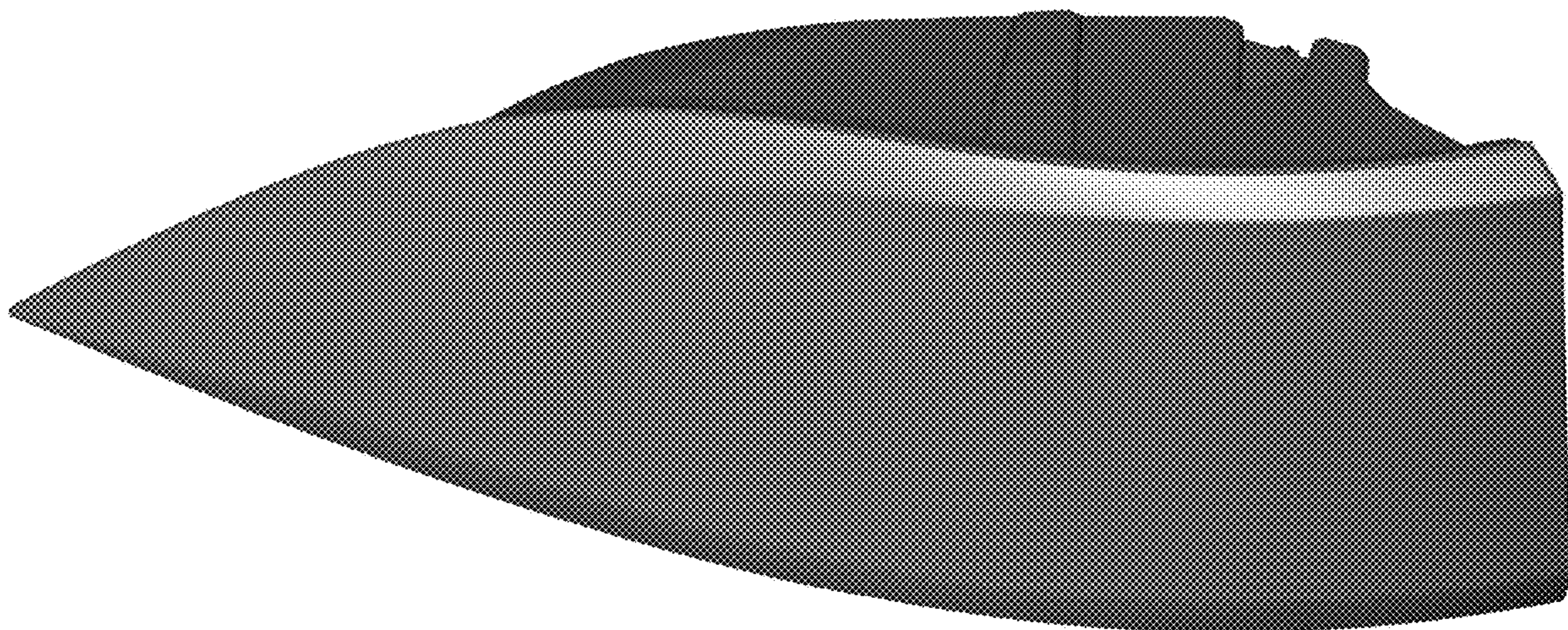
(57) **CLAIM**

The ornamental design for a vehicle tail lamp, as shown and described.

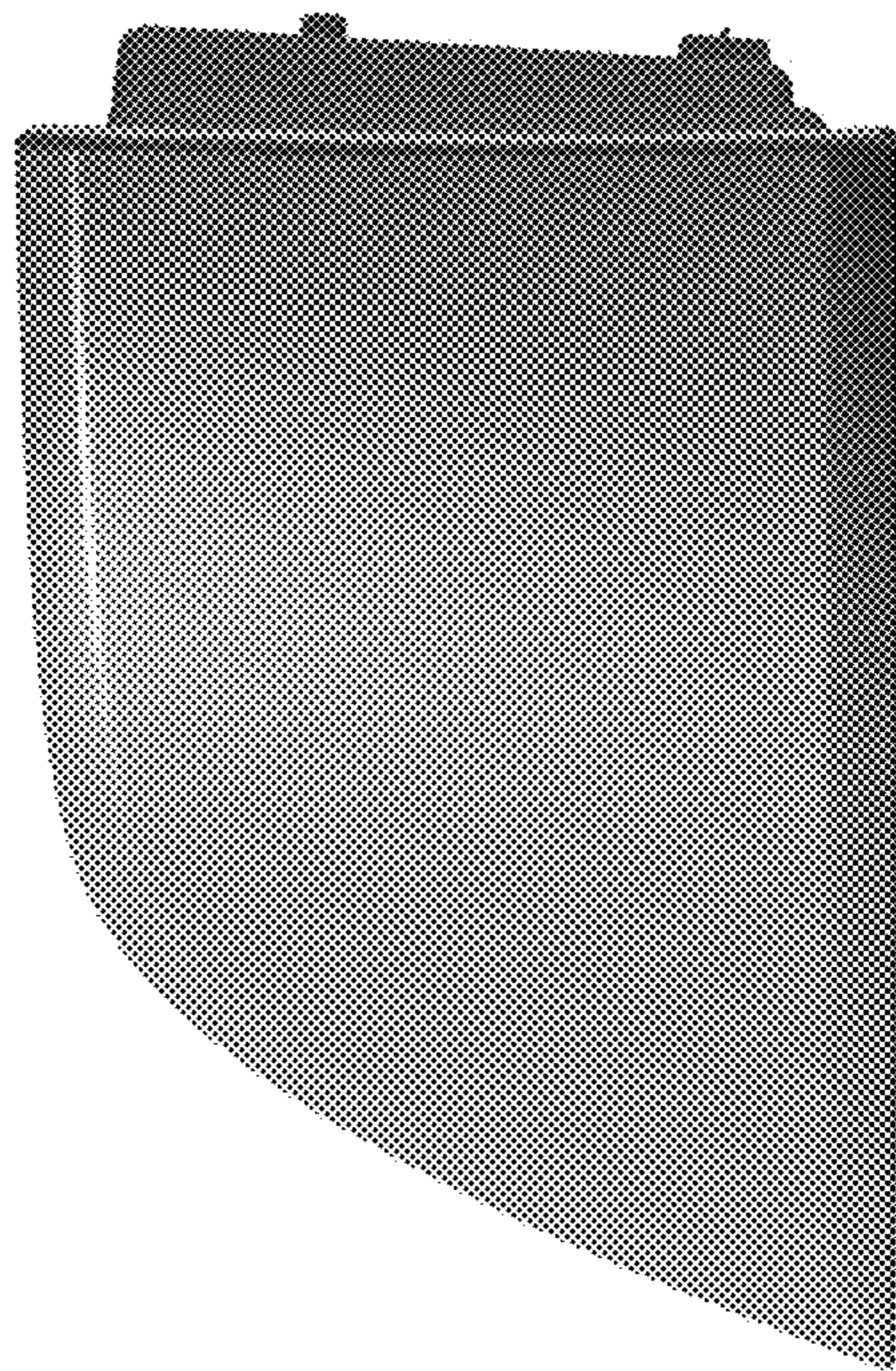
**DESCRIPTION**

FIG. 1 is a front elevational of a left vehicle tail lamp with an opaque lens, showing our new design;  
 FIG. 2 is a left side elevational view thereof;  
 FIG. 3 is a right side elevational view thereof;  
 FIG. 4 is a top plan view thereof;  
 FIG. 5 is a bottom plan view thereof;  
 FIG. 6 is a top, front, and left side perspective view thereof;  
 and  
 FIG. 7 is a bottom, front, and left side perspective view thereof  
 FIG. 8 is a front elevational view of a left vehicle tail lamp with a clear lens, showing our new design;  
 FIG. 9 is a left side elevational view thereof;  
 FIG. 10 is a right side elevational view thereof;  
 FIG. 11 is a top plan view thereof;  
 FIG. 12 is a bottom plan view thereof;  
 FIG. 13 is a top, front, and left side perspective view thereof;  
 and  
 FIG. 14 is a bottom, front, and left side perspective view thereof.  
 FIG. 15 is a front elevational view of a left vehicle tail lamp lens, showing our new design;  
 FIG. 16 is a left side elevational view thereof;  
 FIG. 17 is a right side elevational view thereof;  
 FIG. 18 is a top plan view thereof;  
 FIG. 19 is a bottom plan view thereof;  
 FIG. 20 is a top, front, and left side perspective view thereof;  
 and,  
 FIG. 21 is a bottom, front, and left side perspective view thereof.

**1 Claim, 21 Drawing Sheets**







*Fig. 1*

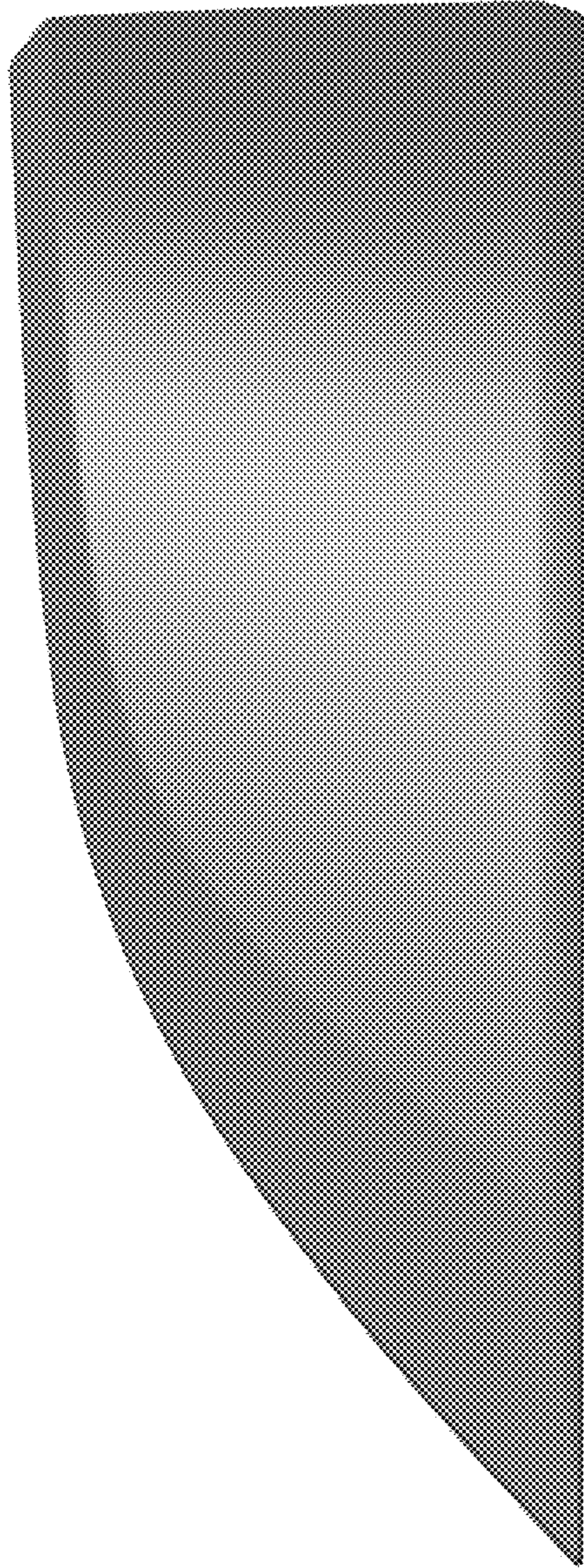


Fig. 2



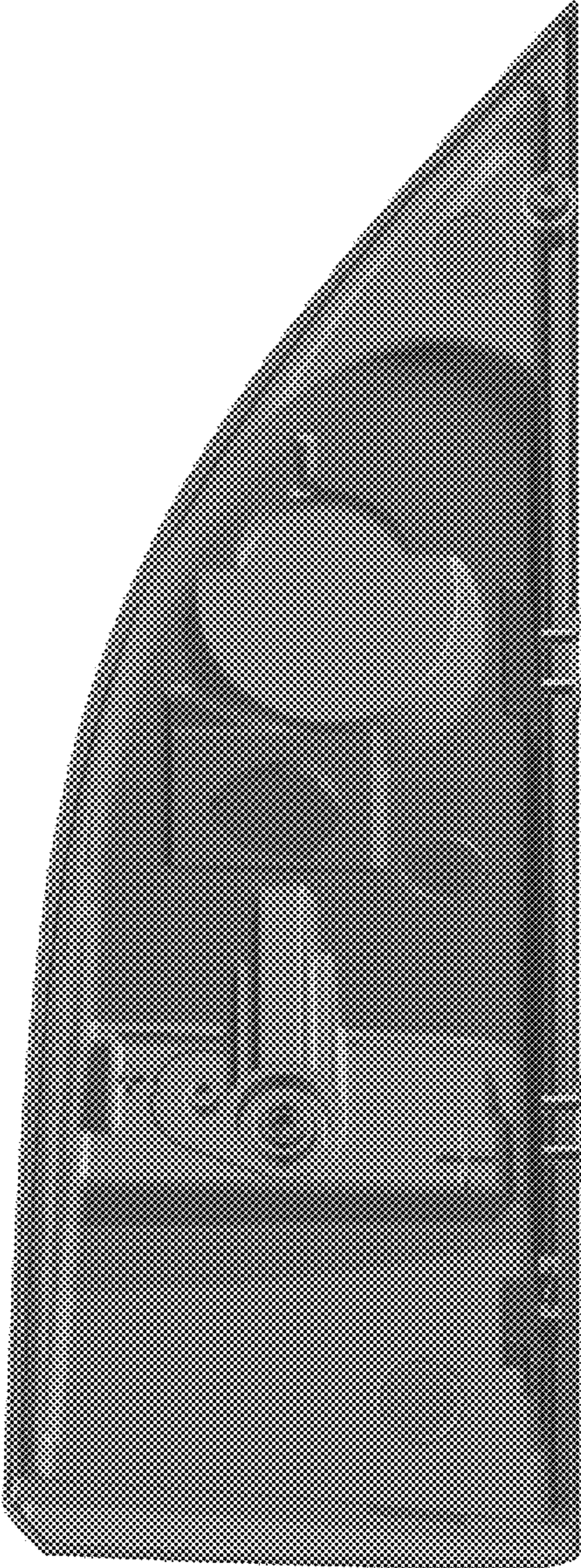


Fig. 3

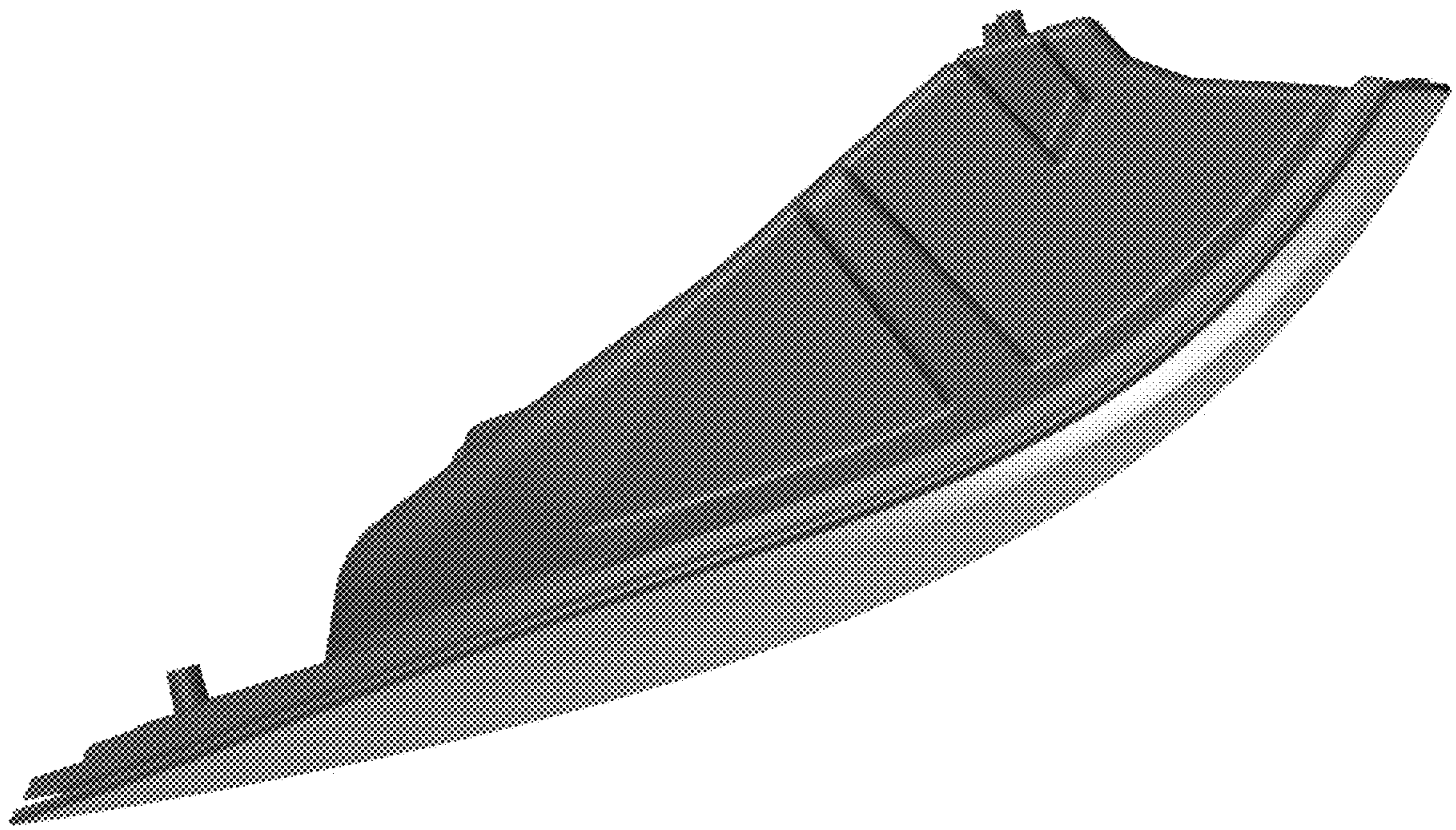


Fig. 4



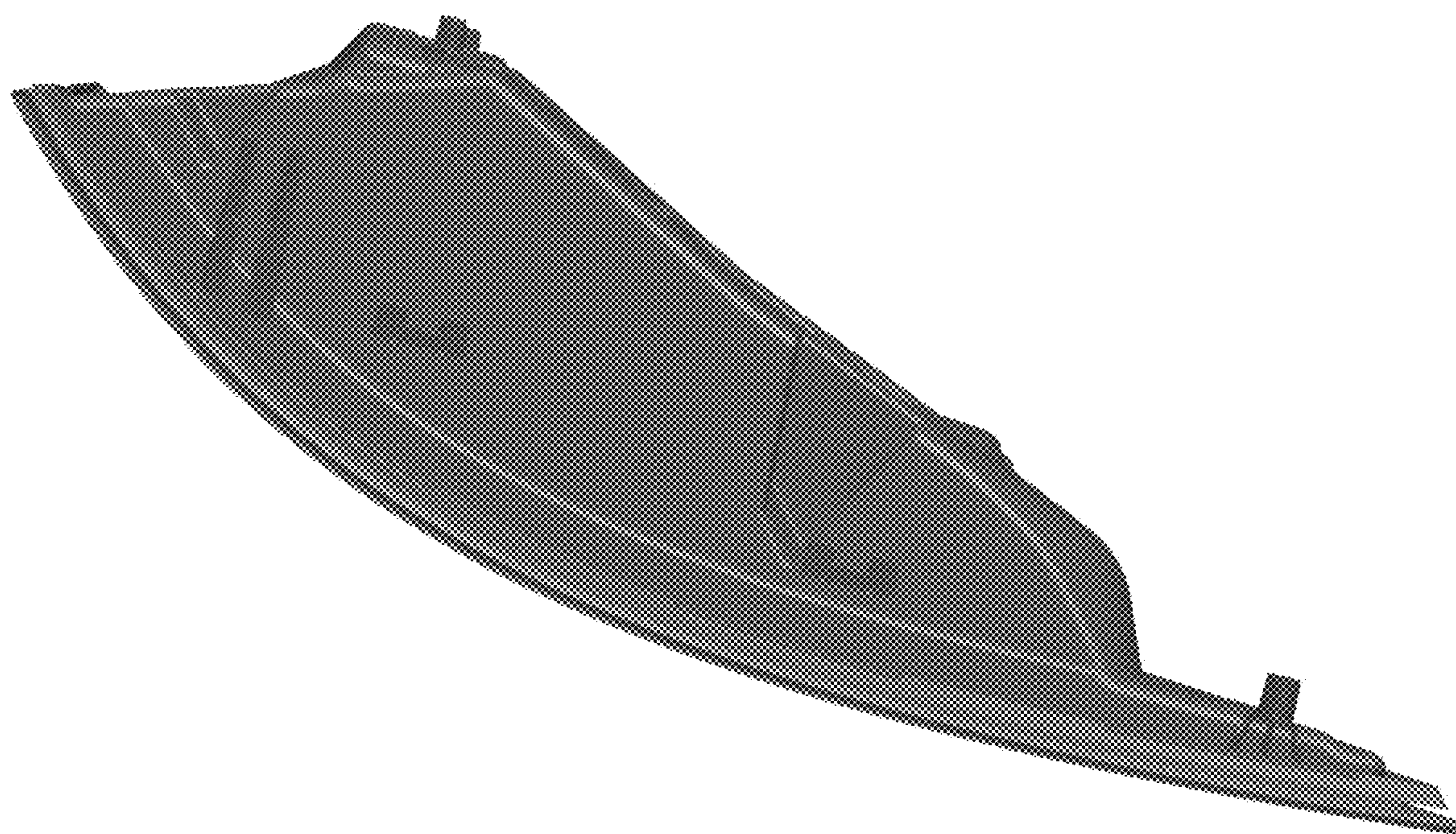
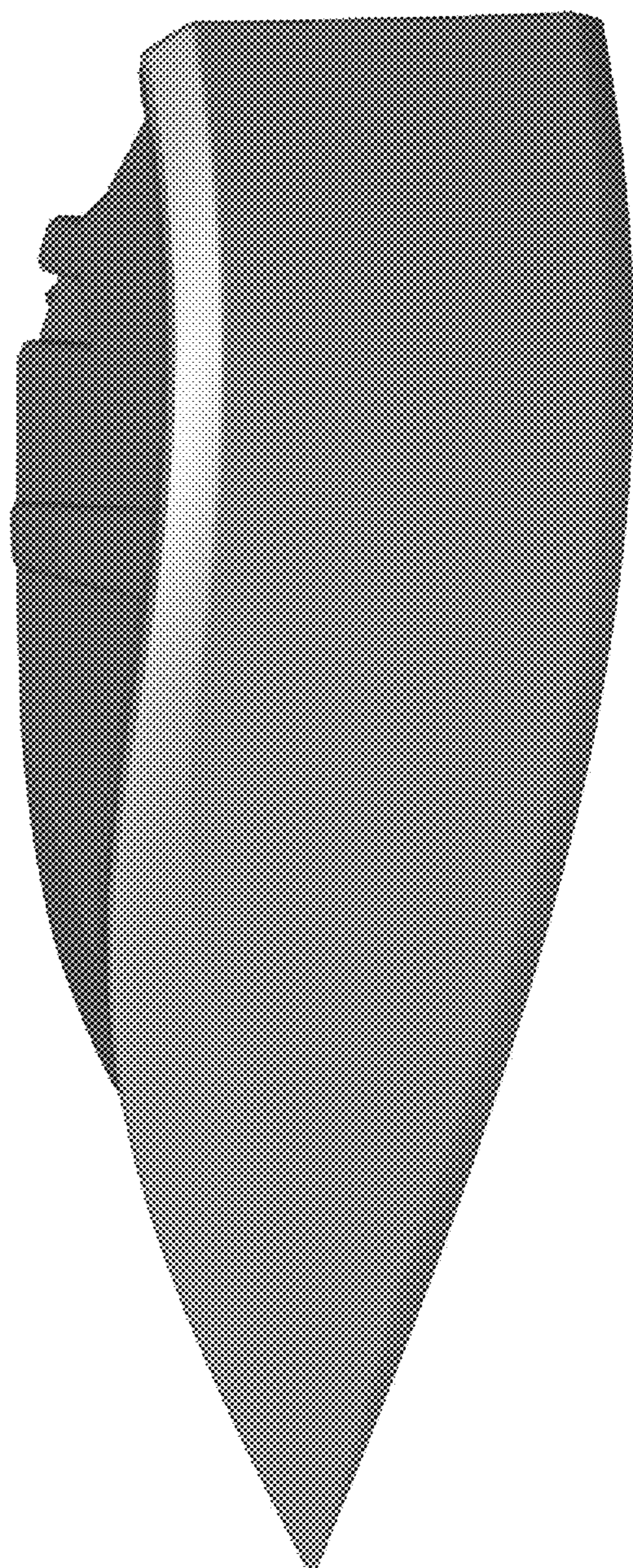


Fig. 5



*Fig. 6*



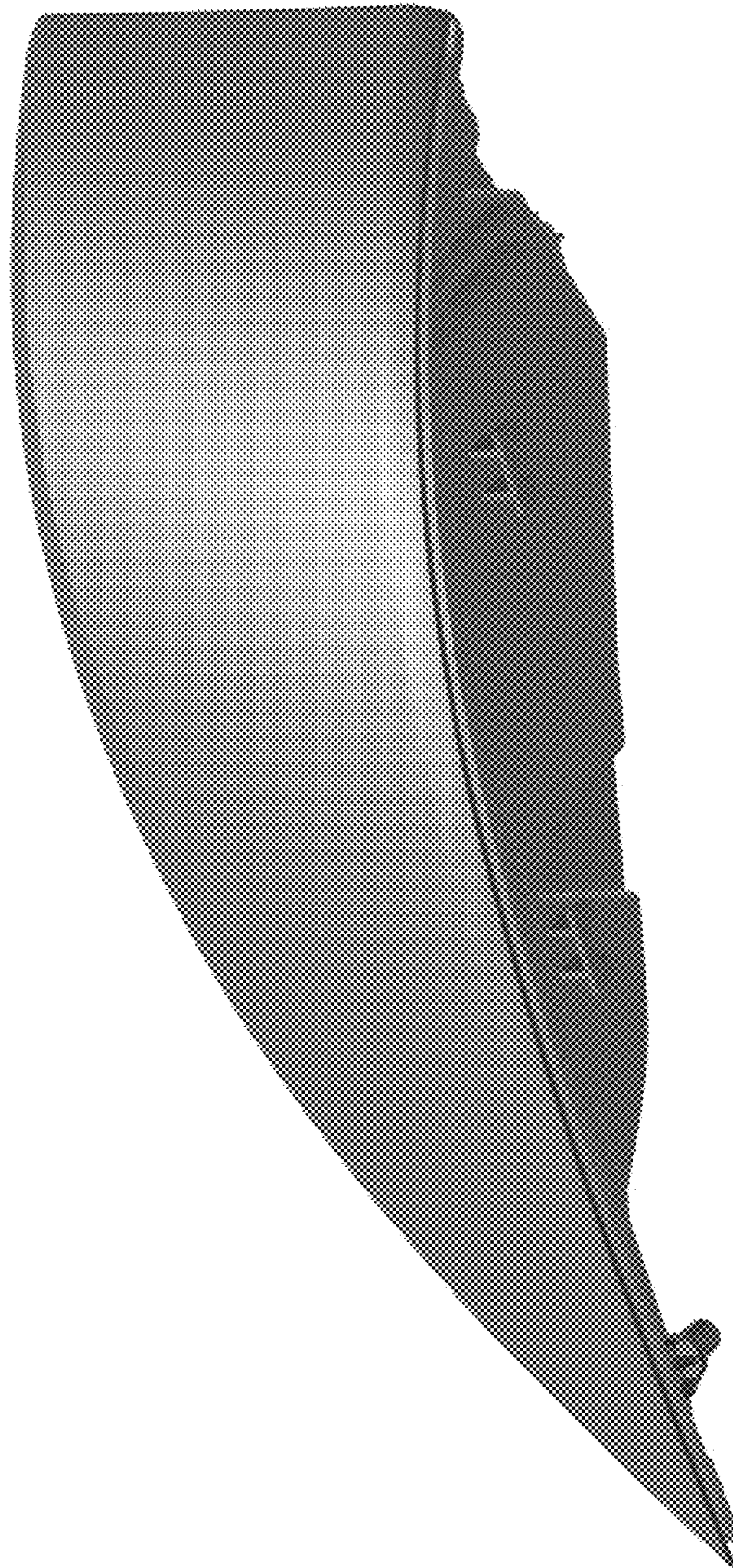
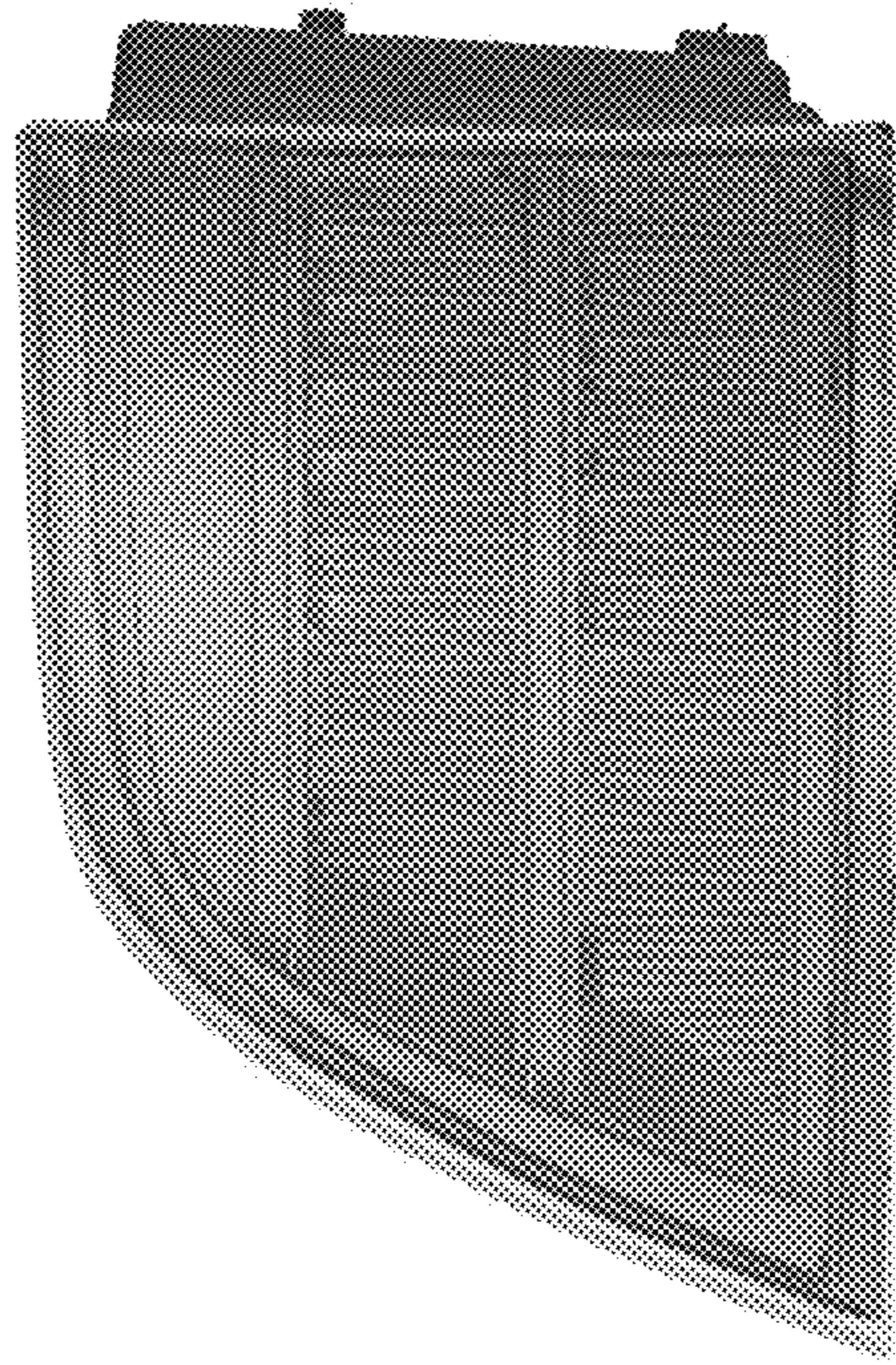


Fig. 7





*Fig. 8*

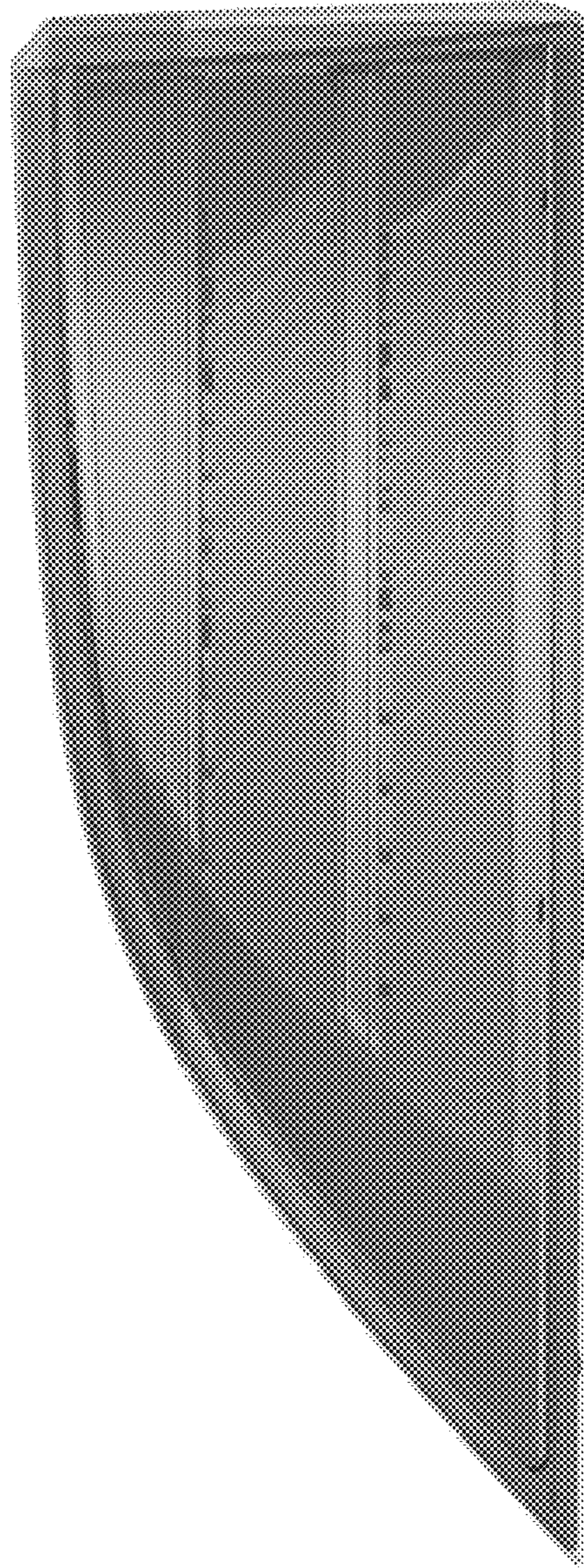
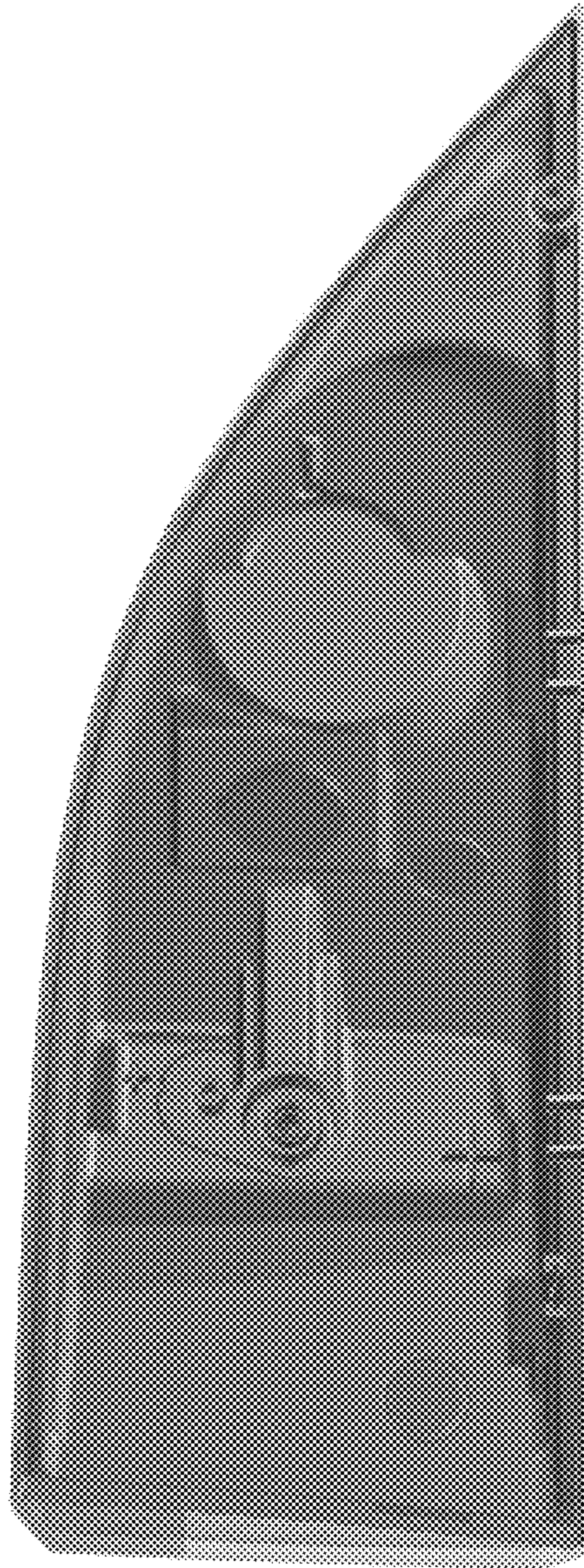
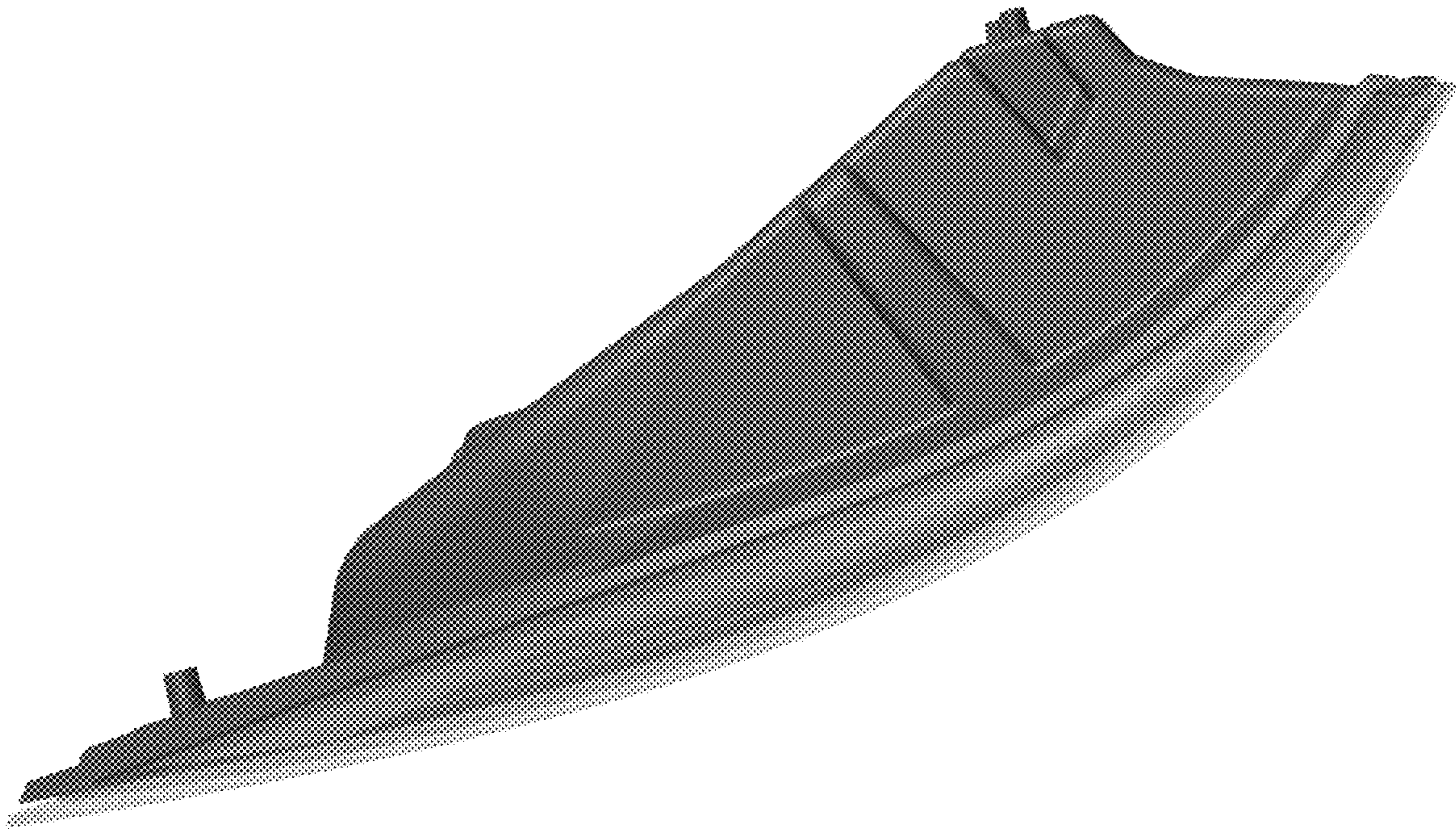


Fig. 9





*Fig. 10*



*Fig. 11*



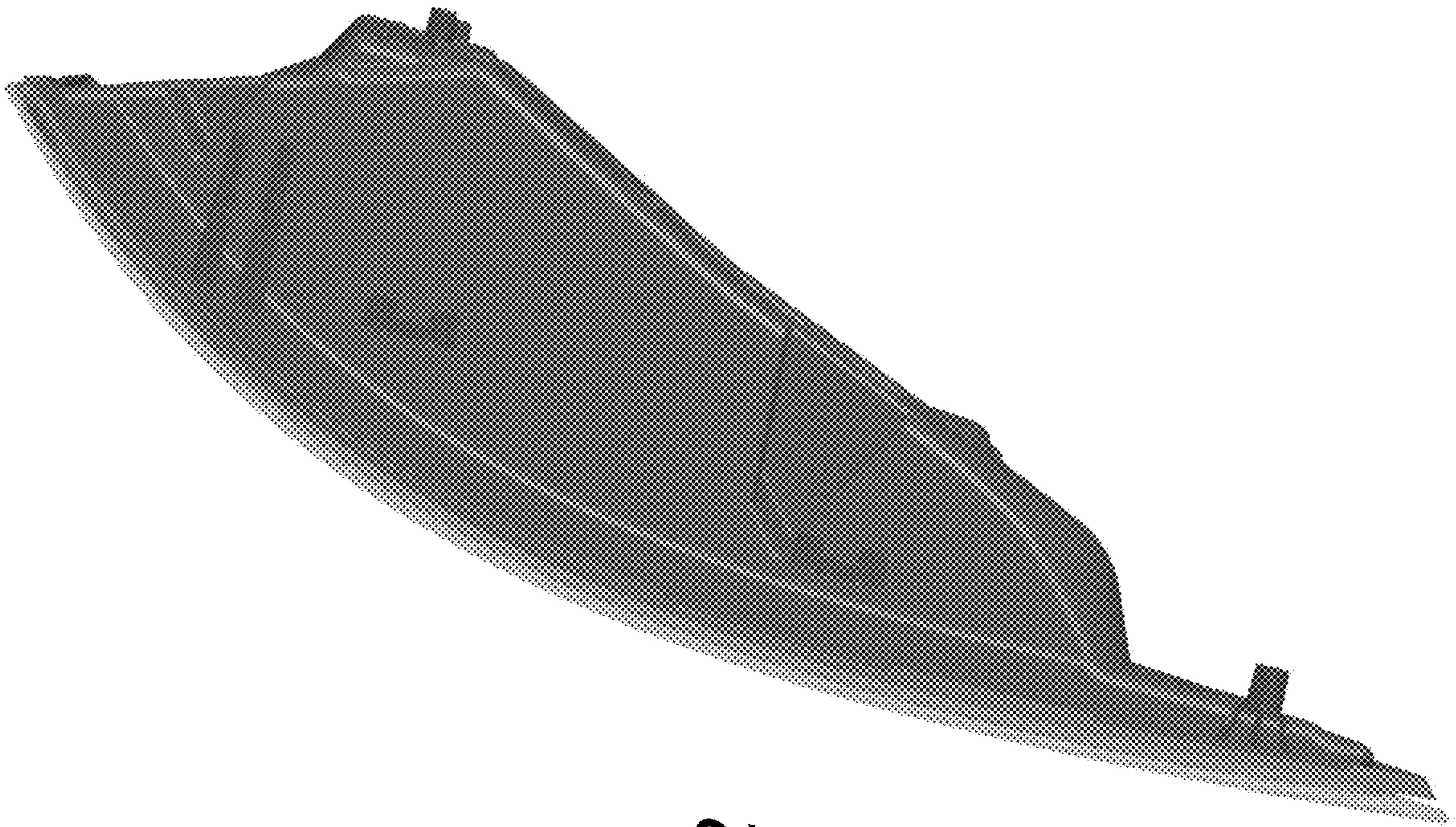
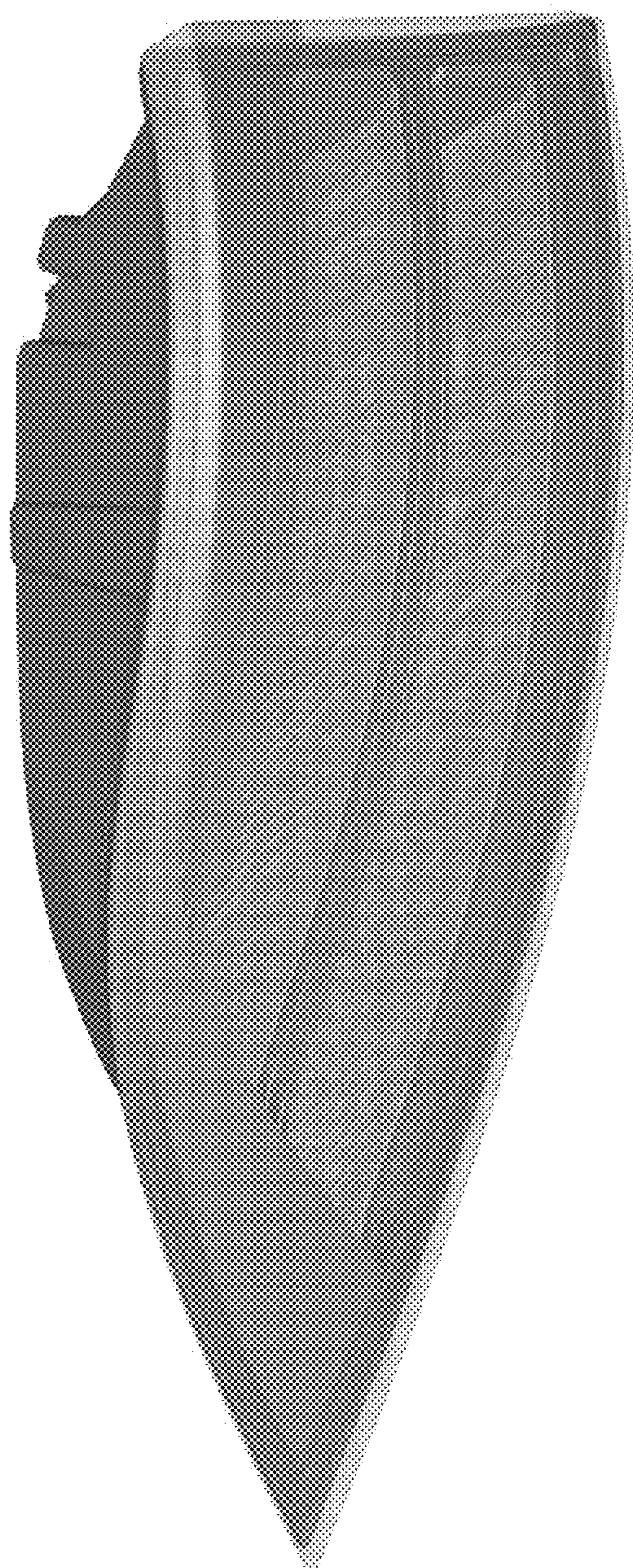


Fig. 12



*Fig. 13*



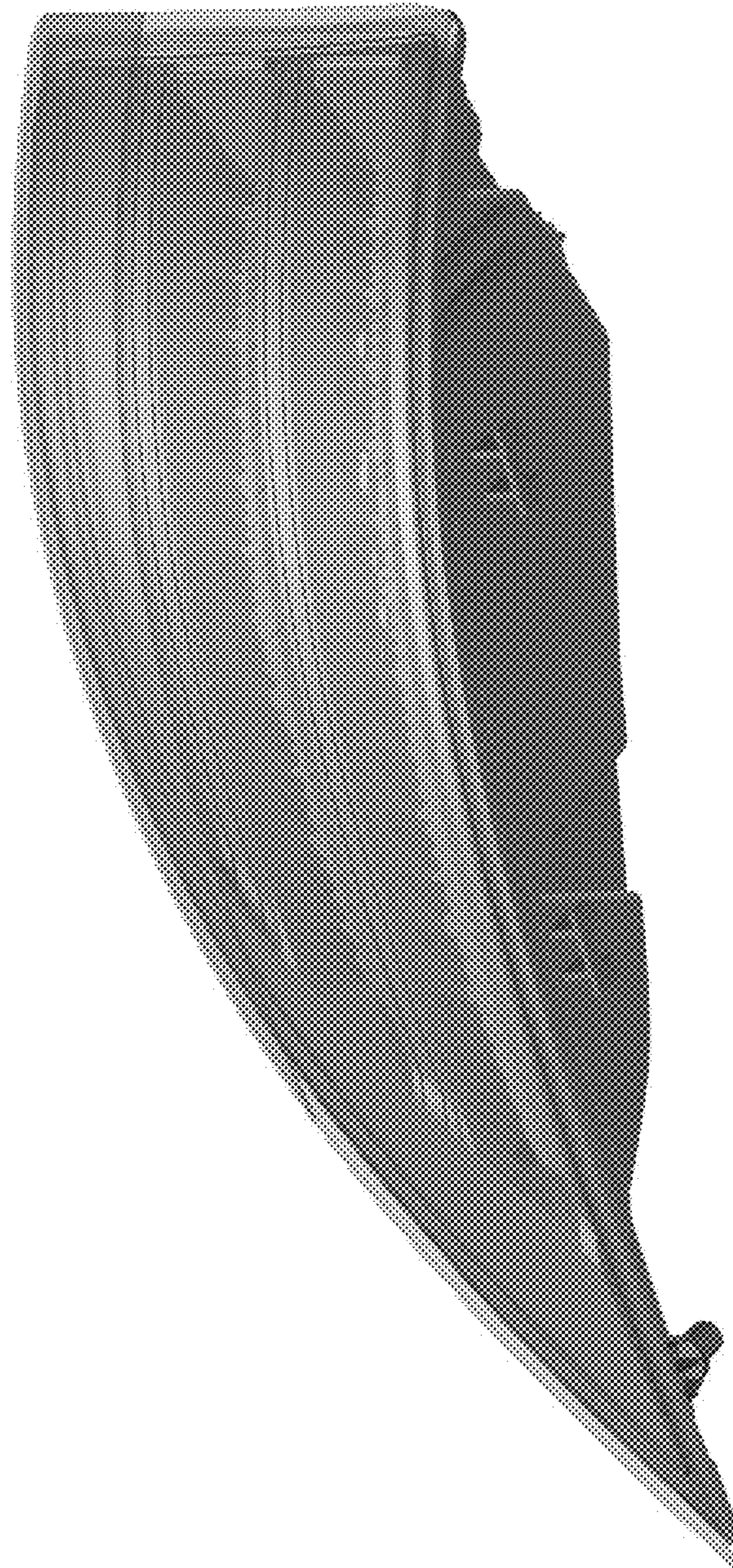


Fig. 14

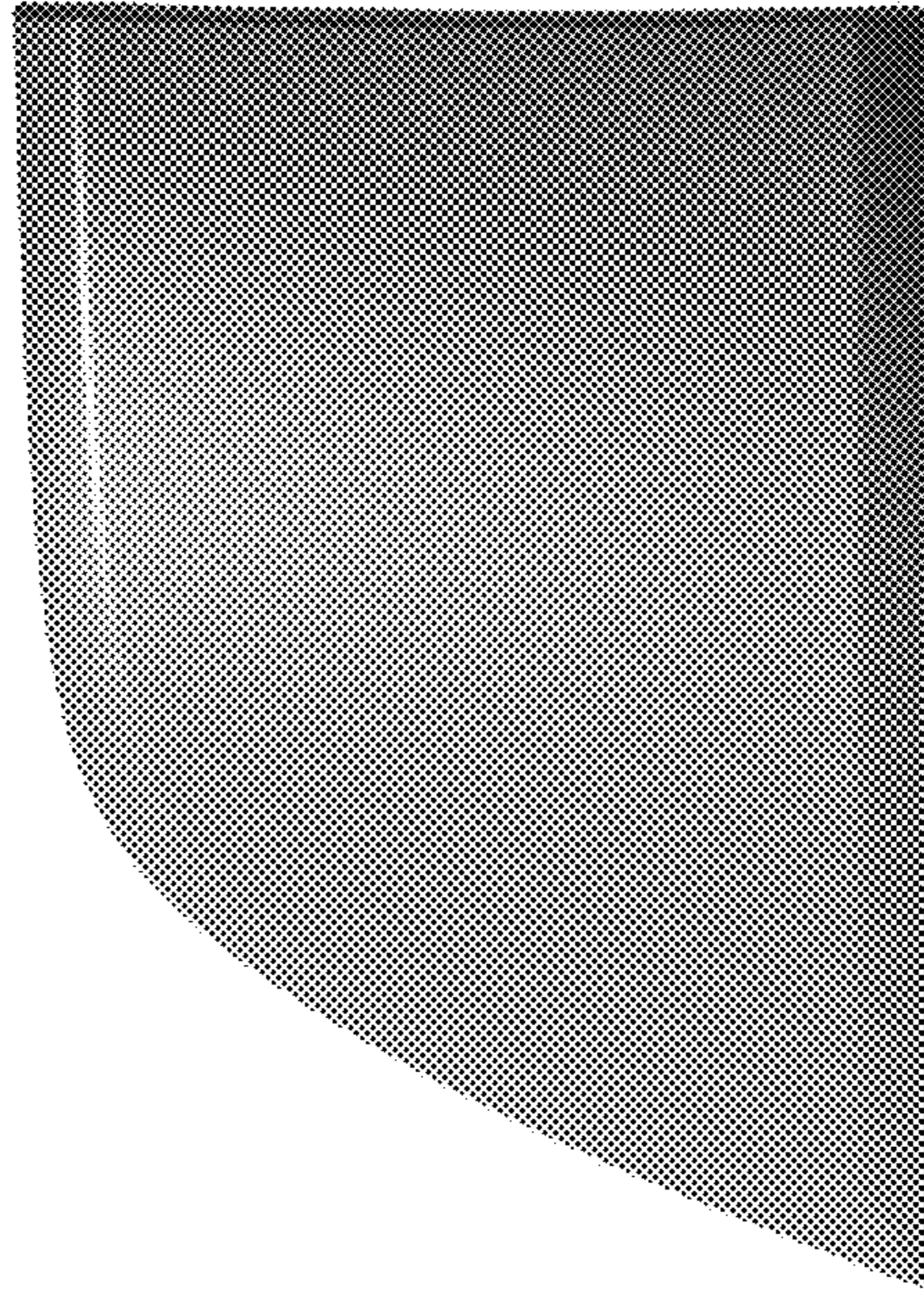
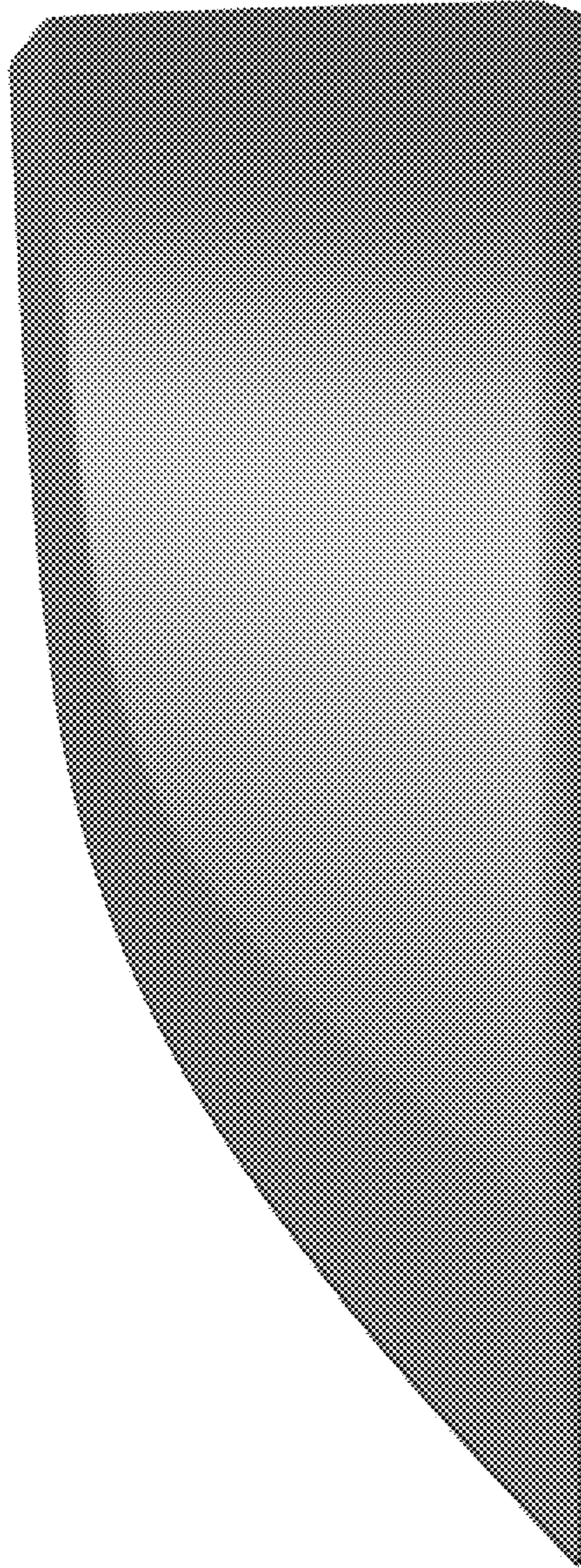
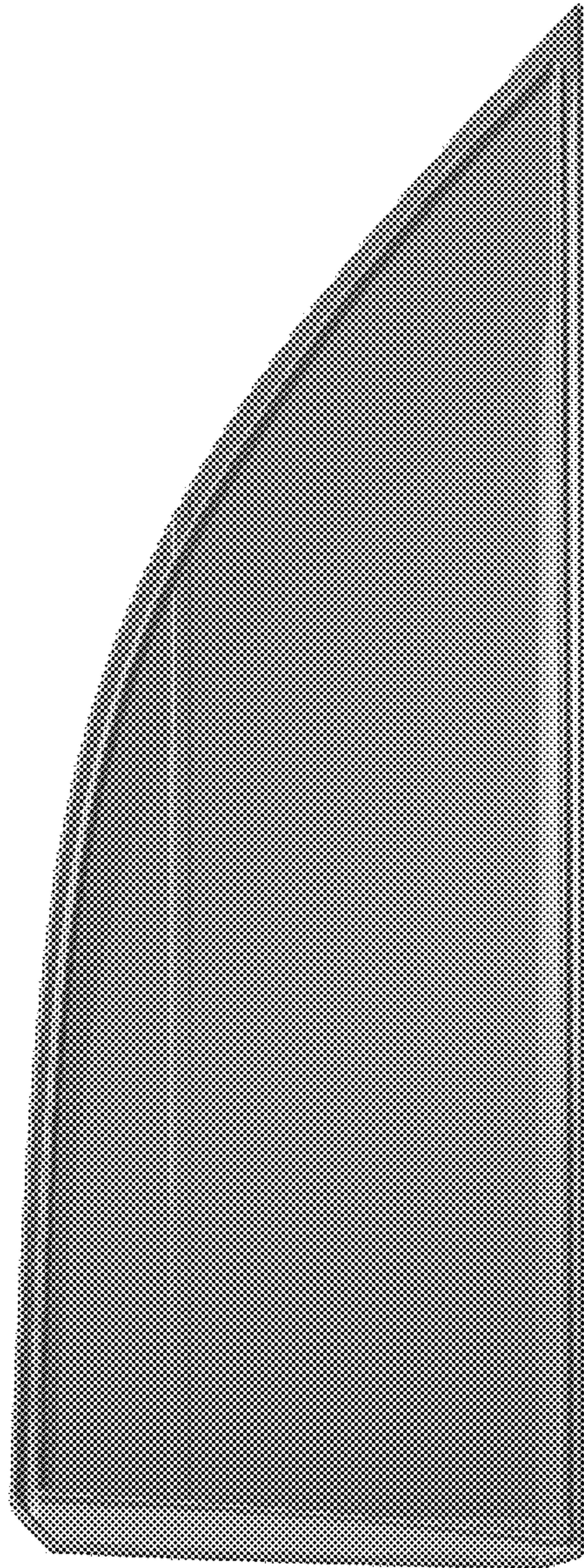


Fig. 15





*Fig. 16*



*Fig. 17*



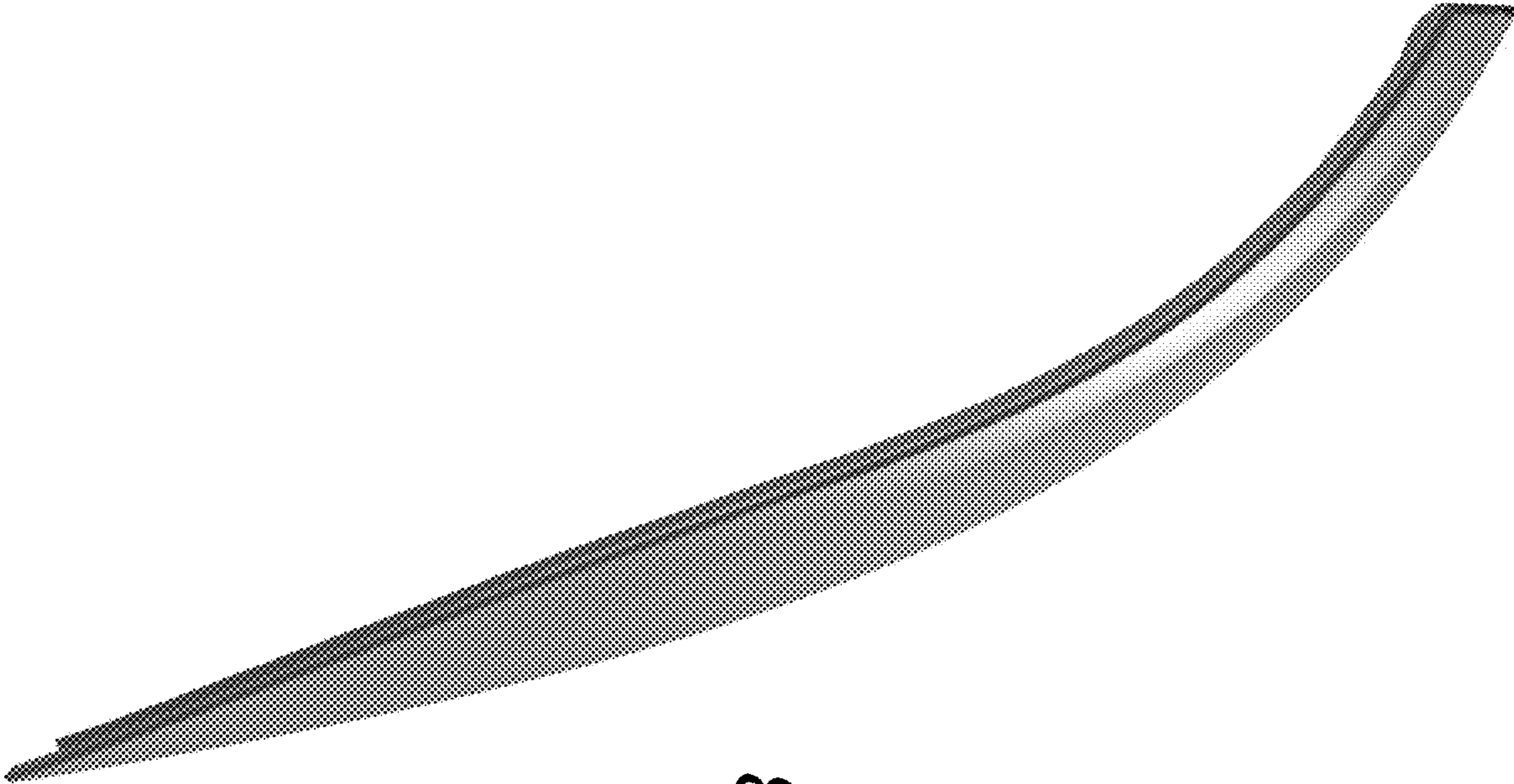


Fig. 18

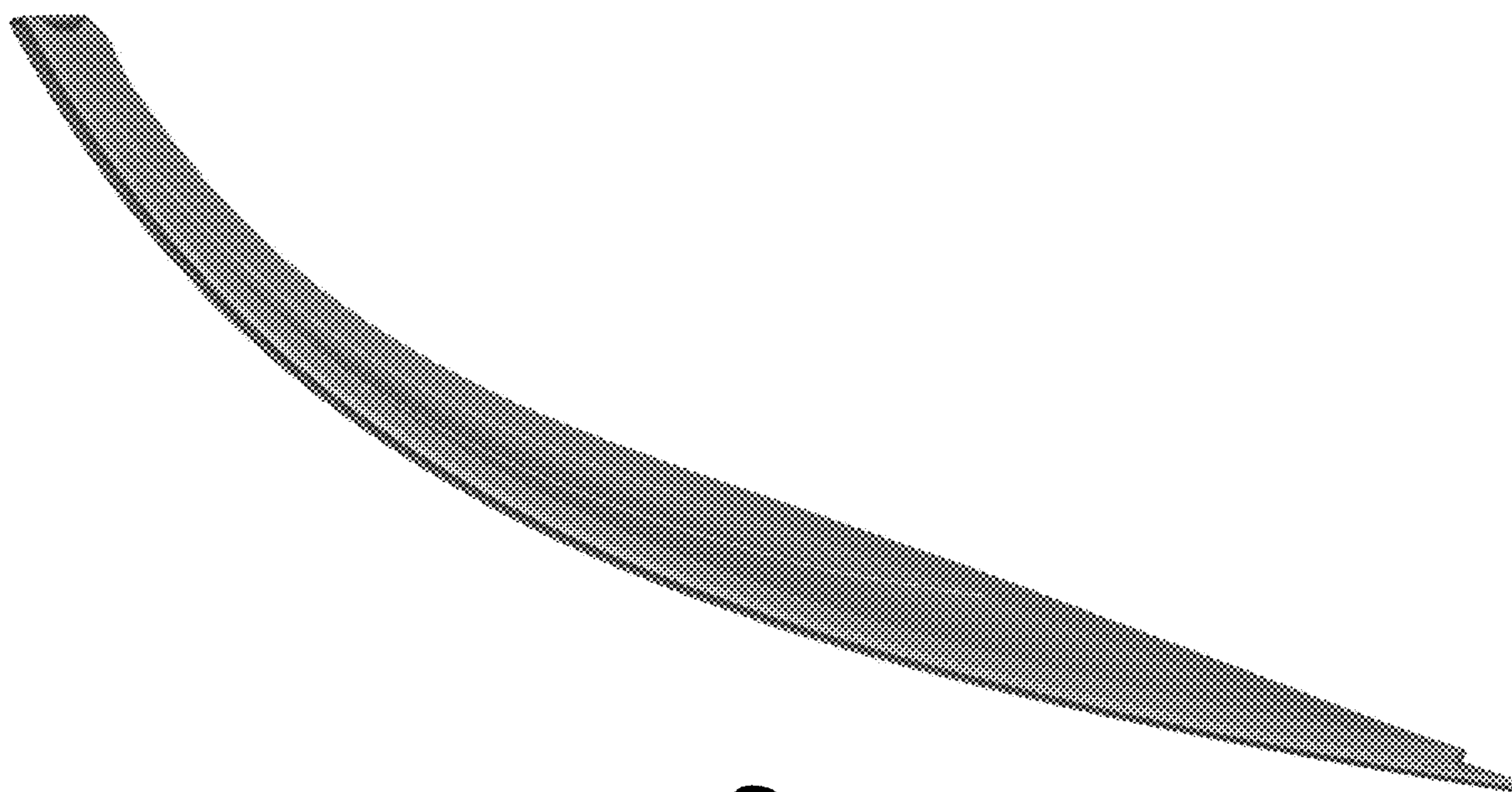
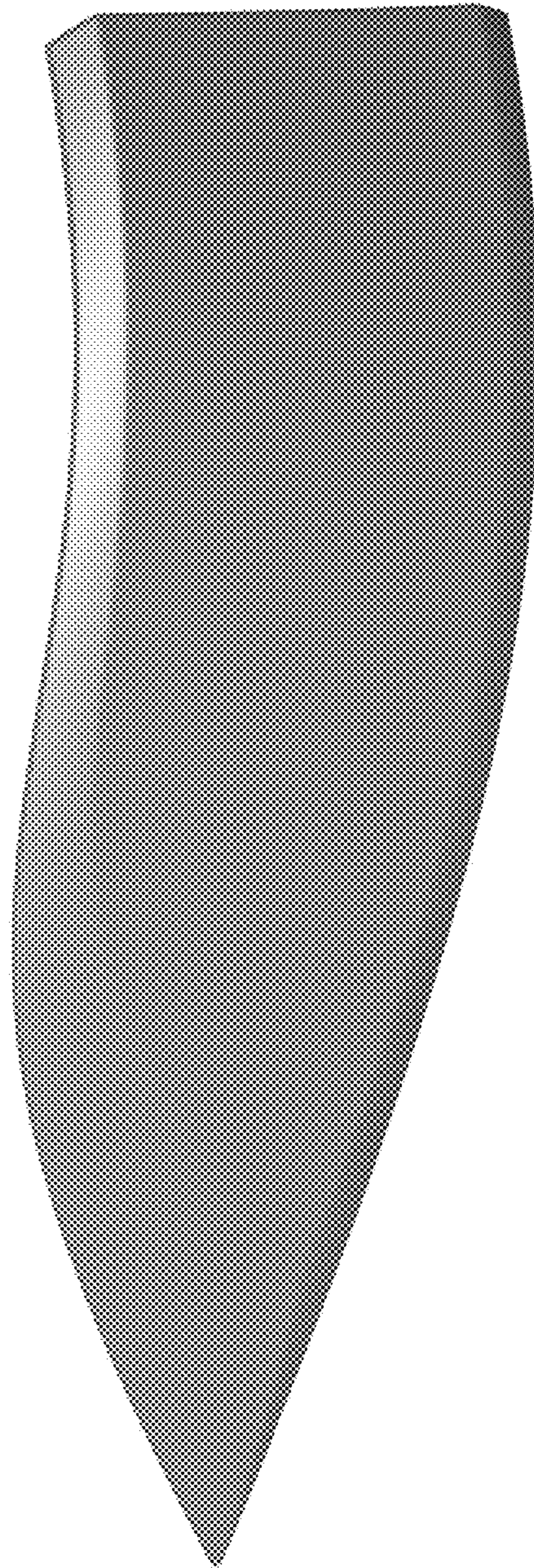
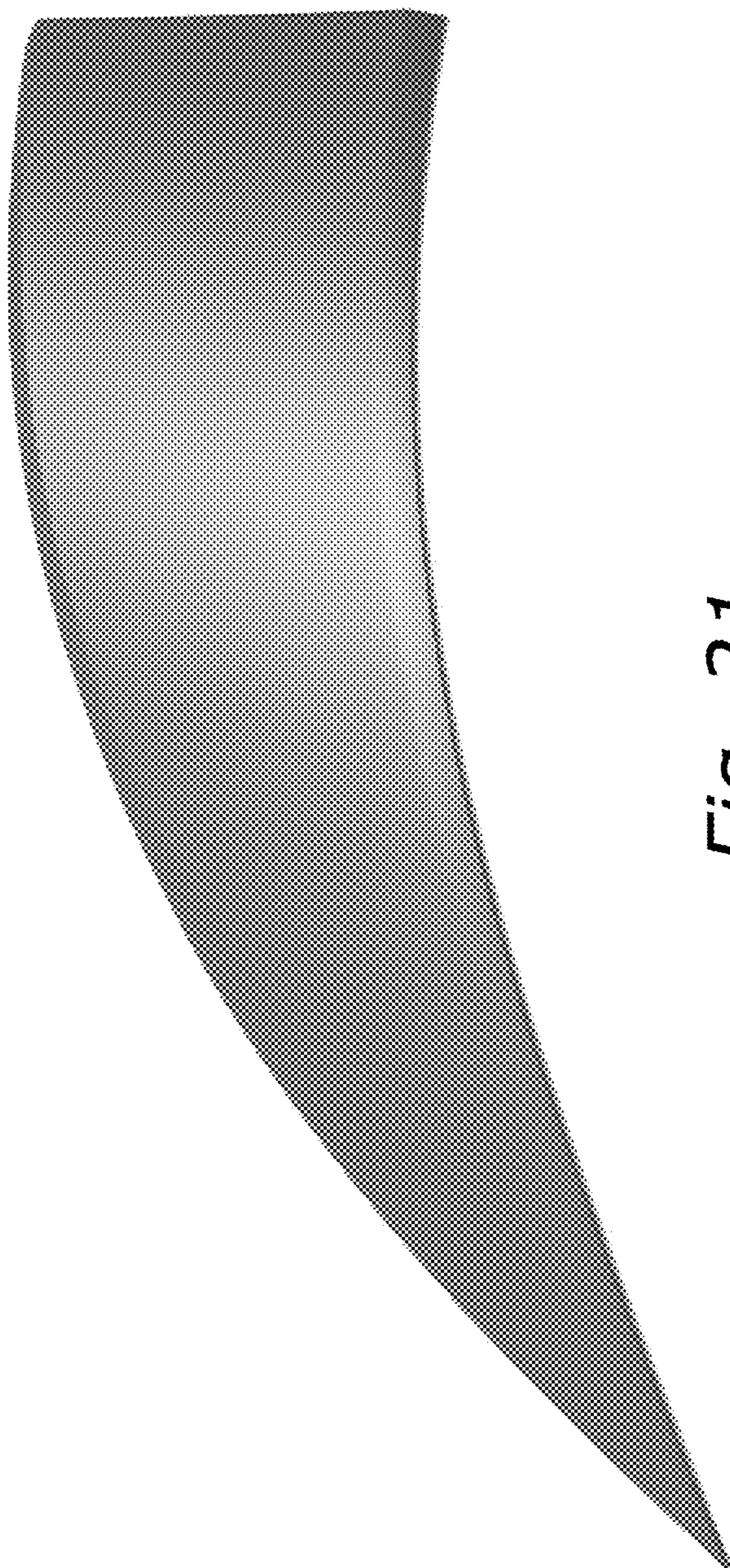


Fig. 19





*Fig. 20*



*Fig. 21*