



US00D870929S

(12) **United States Design Patent** (10) **Patent No.:** **US D870,929 S**  
**Wei** (45) **Date of Patent:** **\*\* Dec. 24, 2019**

- (54) **CAR LAMP HOLDER**
- (71) Applicant: **JUTE INDUSTRIAL CO., LTD.,**  
Taichung (TW)
- (72) Inventor: **Shih-Chieh Wei,** Taichung (TW)
- (73) Assignee: **JUTE INDUSTRIAL CO., LTD.,**  
Taichung (TW)
- (\*\*) Term: **15 Years**
- (21) Appl. No.: **29/627,159**
- (22) Filed: **Nov. 22, 2017**
- (51) **LOC (12) Cl.** ..... **26-06**
- (52) **U.S. Cl.**  
USPC ..... **D26/28**
- (58) **Field of Classification Search**  
USPC ..... D7/393; D8/310, 311, 312, 347;  
D12/86, 90-92, 114, 163, 169, 171-173,  
D12/181, 190, 196, 197, 199, 400;  
D13/174; D26/28-36  
CPC ... B62J 6/02; B62J 6/00; B60Q 3/0279; F21S  
48/00; F21S 48/10; F21S 48/115; F21S  
48/225; F21S 48/1233; F21S 48/1266;  
F21S 48/1388; F21S 48/2268; F21V  
21/04  
See application file for complete search history.

- (56) **References Cited**  
U.S. PATENT DOCUMENTS  
3,303,717 A \* 2/1967 Valenti ..... G05G 1/10  
74/553  
D363,359 S \* 10/1995 Henrici ..... D26/28  
D370,541 S \* 6/1996 Henrici ..... D26/28  
D382,357 S \* 8/1997 Henrici ..... D26/28  
D400,778 S \* 11/1998 Holbrook, Jr. .... D8/311  
D508,225 S \* 8/2005 Scheepers ..... D12/197  
D521,314 S \* 5/2006 Ball ..... D7/393  
D634,156 S \* 3/2011 Fuller ..... D7/393

- 8,292,494 B2 \* 10/2012 Rosa ..... G05D 23/1902  
116/292
- D715,126 S \* 10/2014 Kim ..... D7/393
- D762,593 S \* 8/2016 Oneufer ..... D13/174
- D786,651 S \* 5/2017 Shoemaker ..... D8/311
- D792,189 S \* 7/2017 Incukur ..... D8/311
- D793,199 S \* 8/2017 Nilssen ..... D8/311
- D808,767 S \* 1/2018 Kim ..... D8/311
- D817,145 S \* 5/2018 Kim ..... D8/311
- D829,528 S \* 10/2018 Kim ..... D8/311
- D840,210 S \* 2/2019 Kim ..... D8/311
- D845,107 S \* 4/2019 Johnson ..... D8/312
- 2004/0070574 A1 \* 4/2004 Wylie ..... F24C 7/082  
345/184
- 2004/0107545 A1 \* 6/2004 Worrell ..... G05G 1/10  
16/441

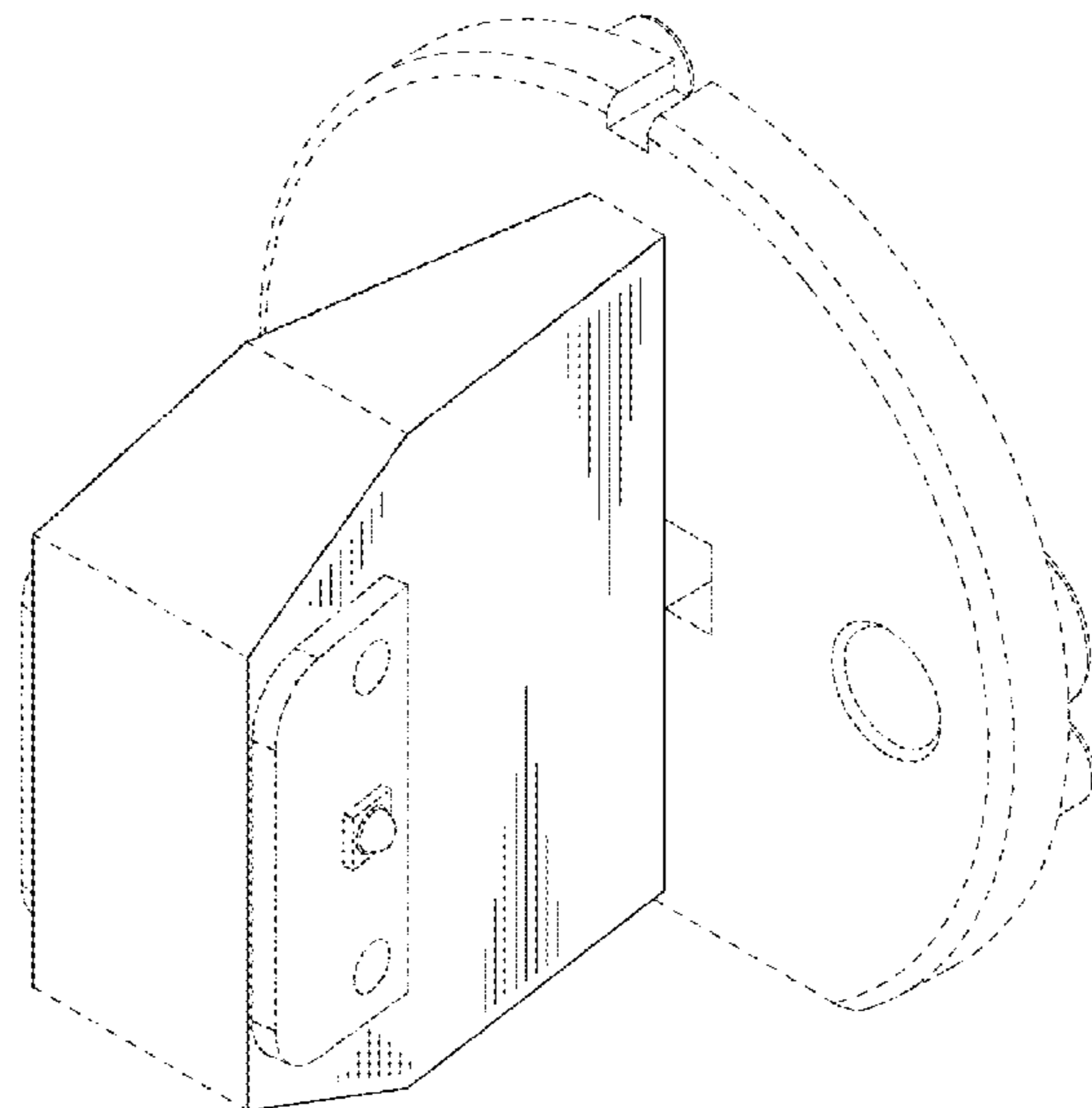
(Continued)

*Primary Examiner* — Philip S Hyder  
*Assistant Examiner* — Cary M Robinson  
(74) *Attorney, Agent, or Firm* — Muncy, Geissler, Olds & Lowe, P.C.

(57) **CLAIM**  
I claim the ornamental design for a car lamp holder, as shown and described.

**DESCRIPTION**  
FIG. 1 is a front, right, and top perspective view of a car lamp holder showing my new design;  
FIG. 2 is a front elevational view thereof;  
FIG. 3 is a rear elevational view thereof;  
FIG. 4 is a left side view thereof;  
FIG. 5 is a right side view thereof;  
FIG. 6 is a top plan view thereof;  
FIG. 7 is a bottom plan view thereof;  
FIG. 8 is a rear, right, and top perspective view thereof; and,  
FIG. 9 is another front, right, and top perspective view of a car lamp holder showing the design in use.  
The broken lines in the drawings illustrate portions of the car lamp holder which form no part of the claimed design.

**1 Claim, 9 Drawing Sheets**



(56)

**References Cited**

U.S. PATENT DOCUMENTS

2015/0370283 A1\* 12/2015 Lawson ..... G05G 1/082  
74/553

\* cited by examiner

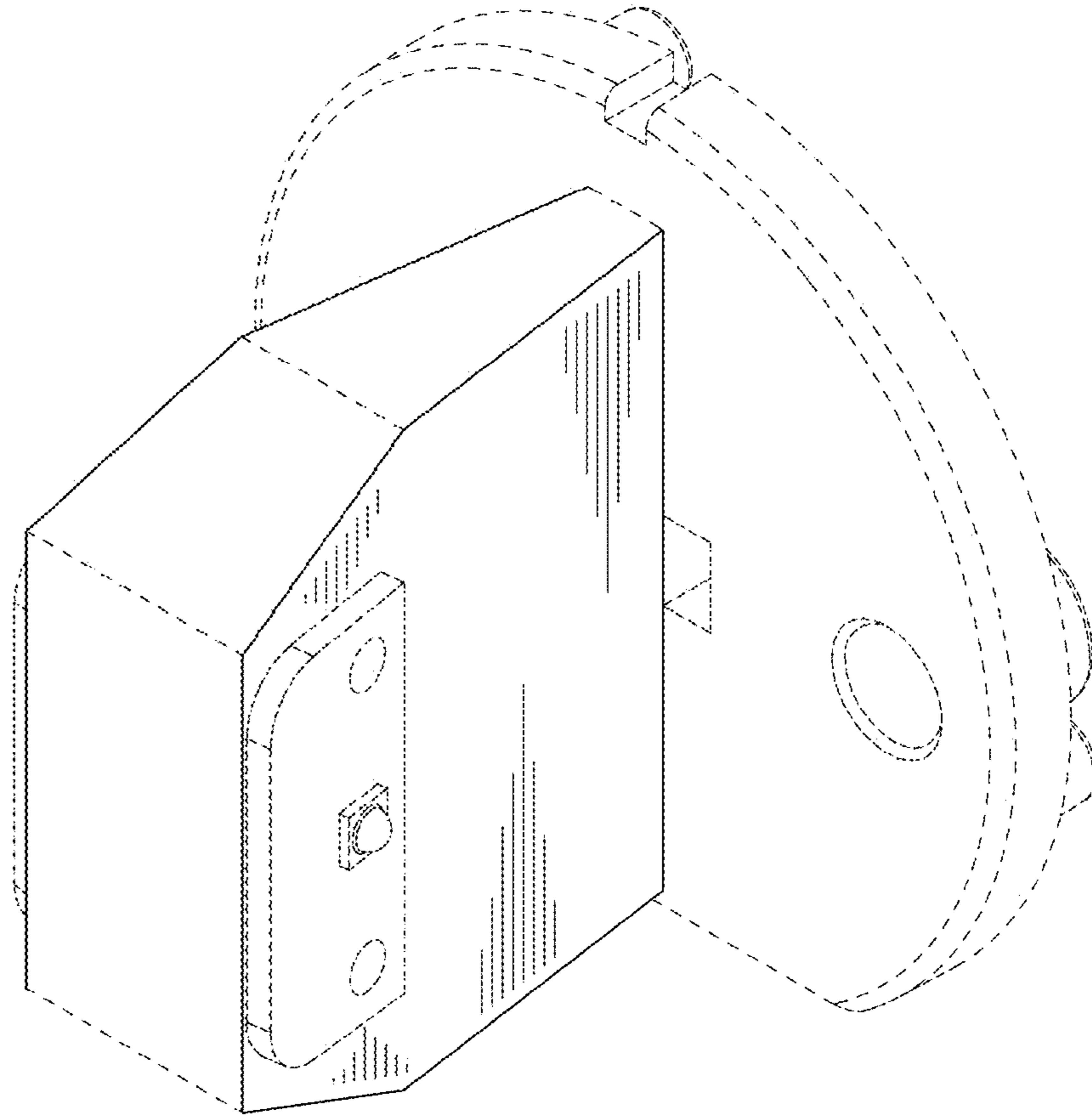


FIG. 1

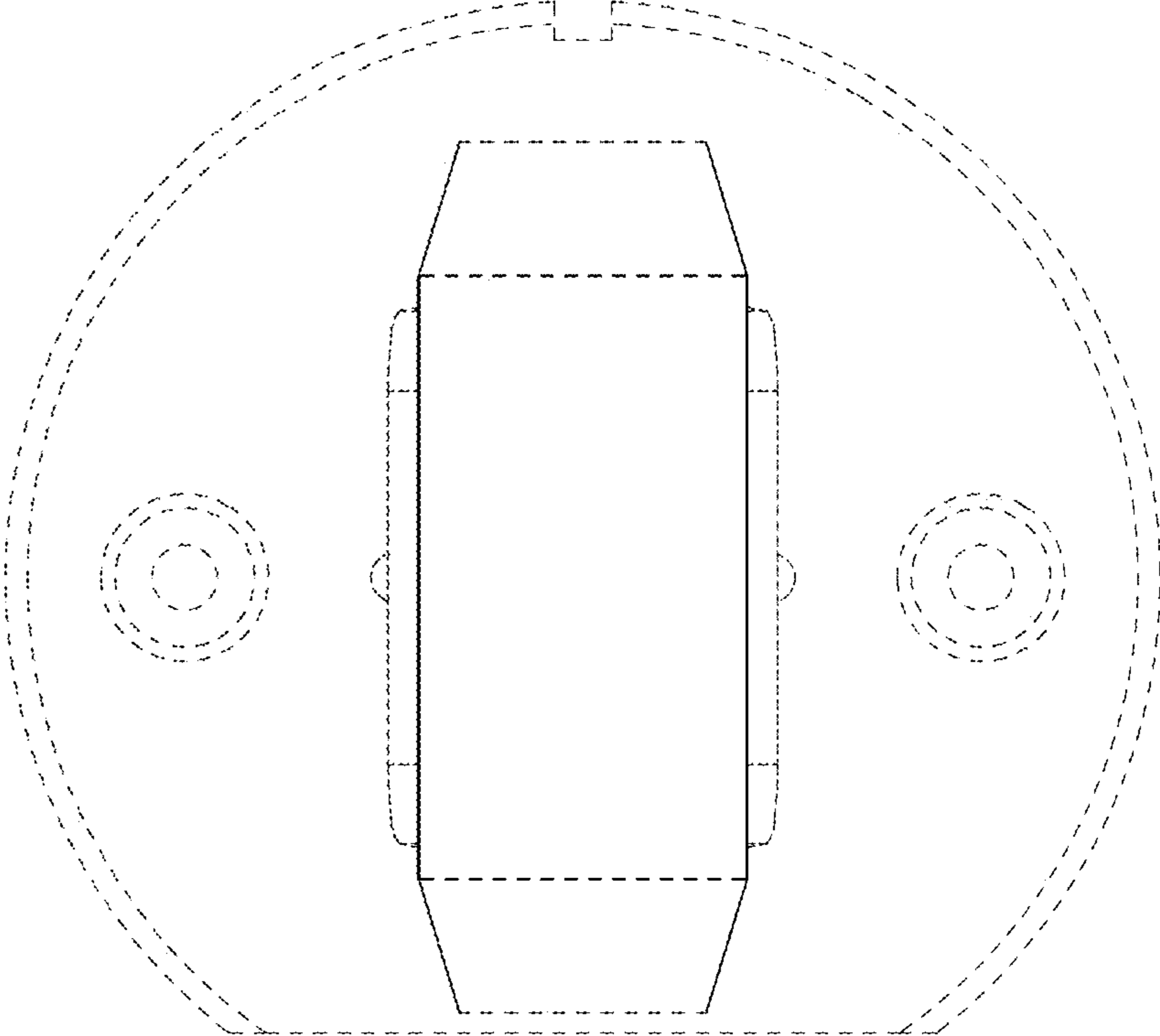


FIG. 2

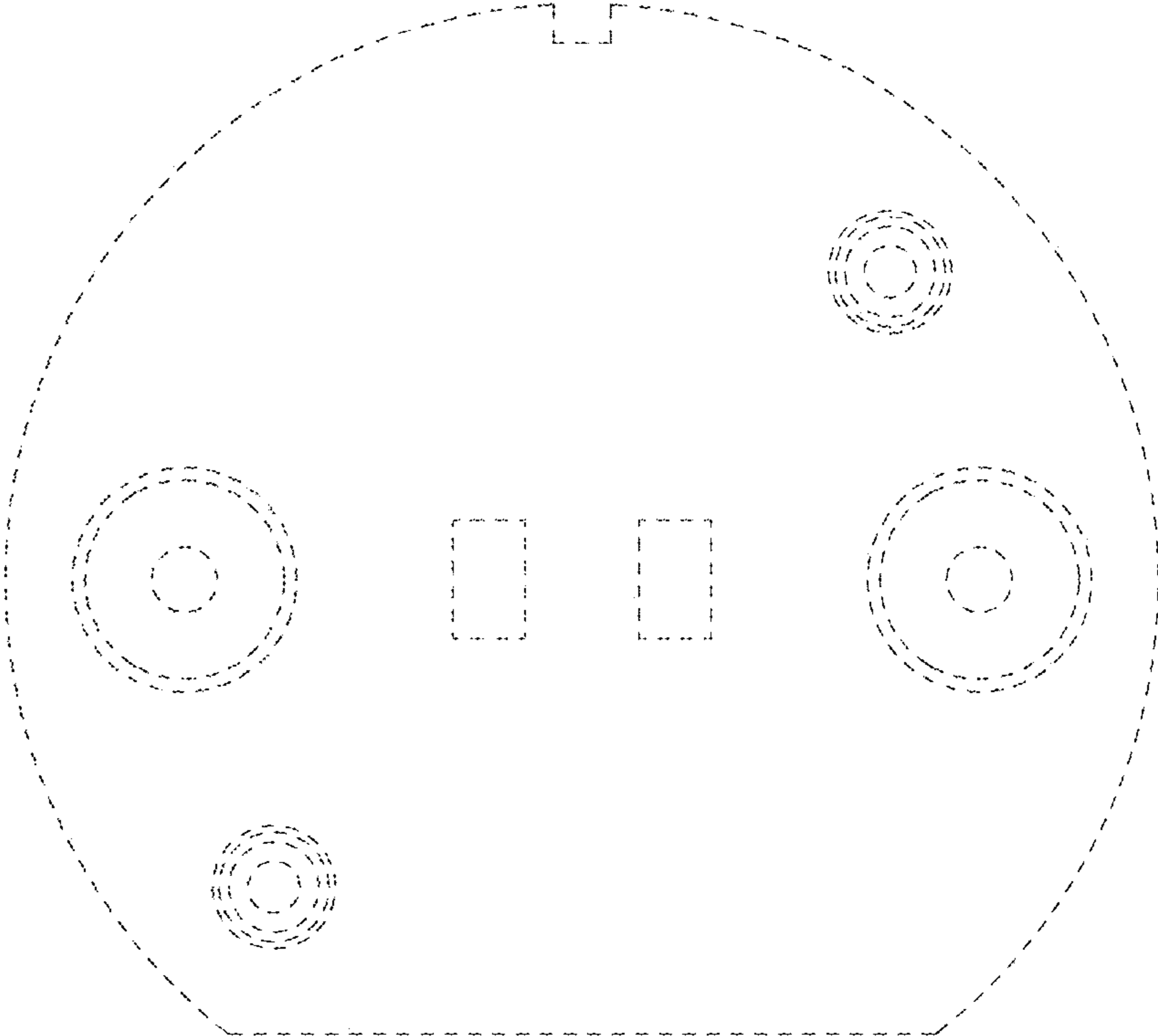


FIG. 3

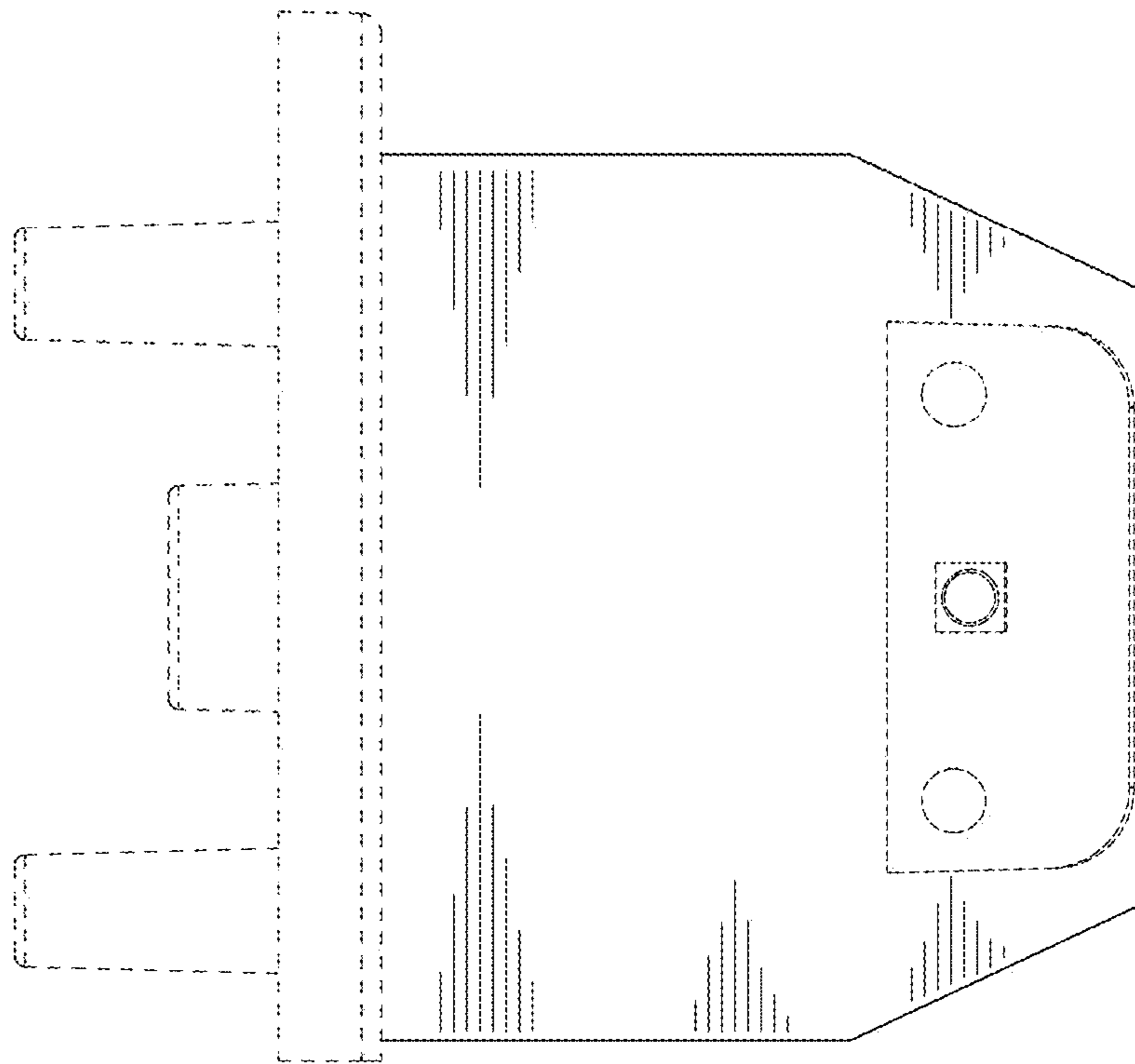


FIG. 4

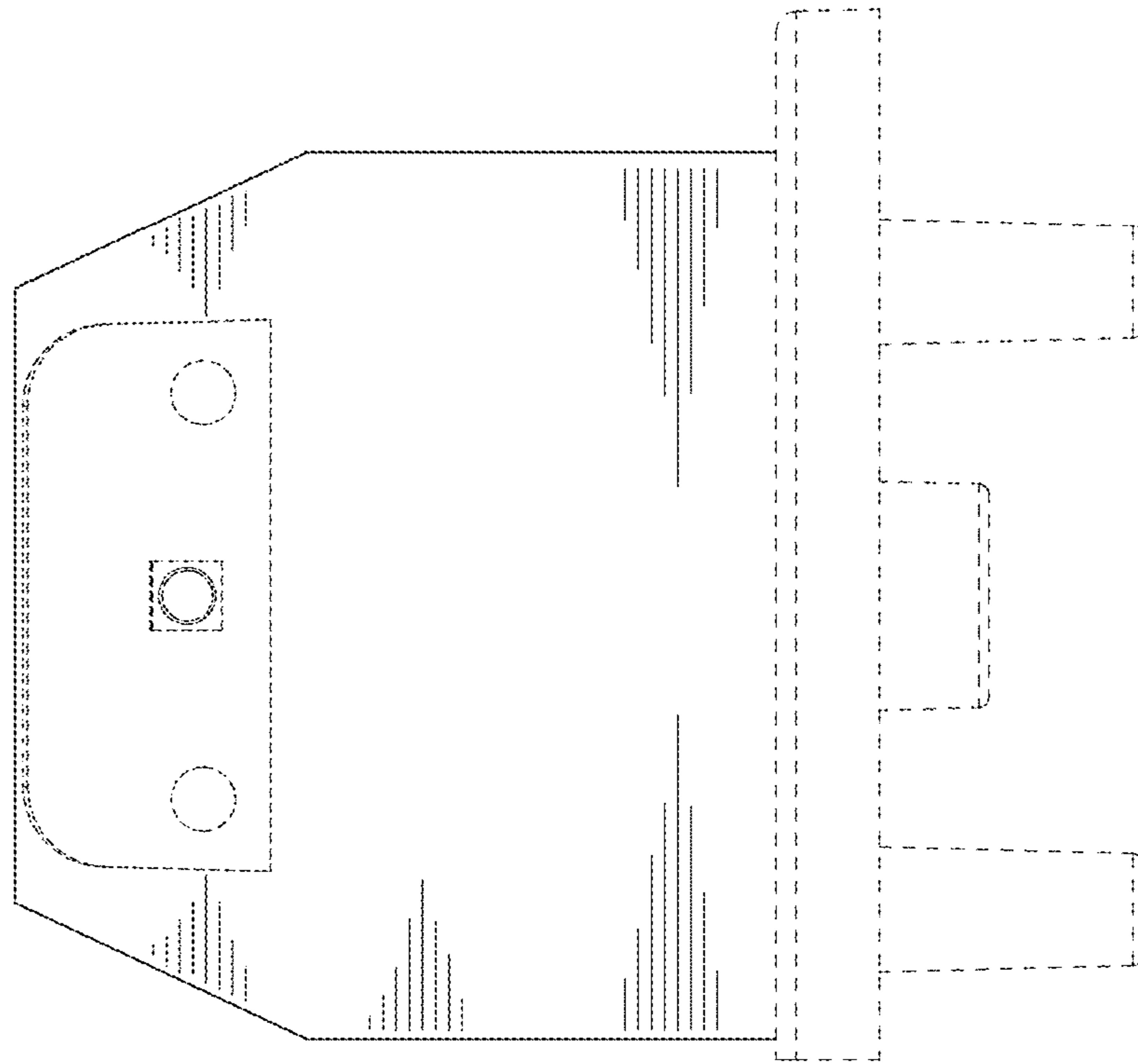


FIG. 5

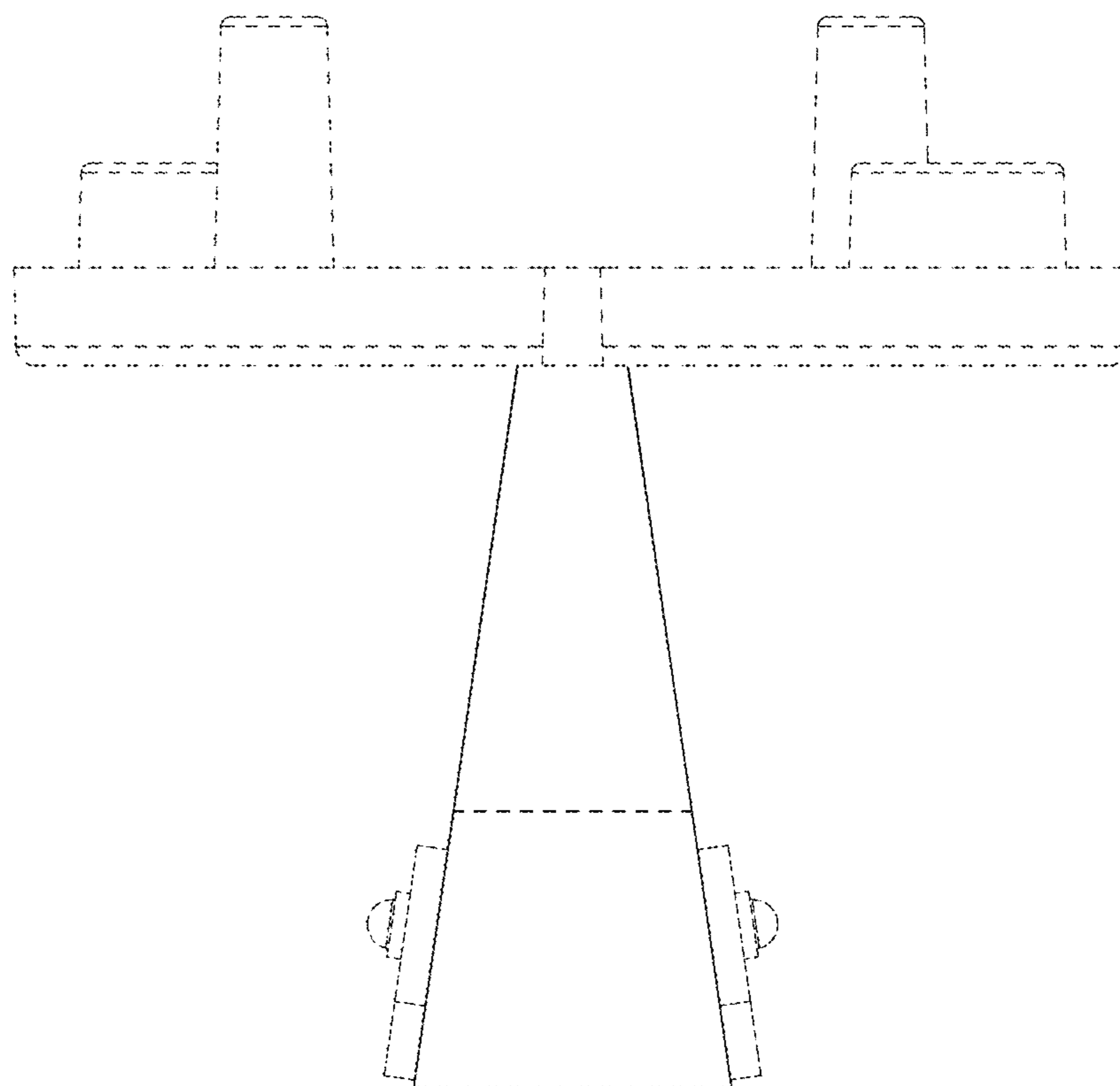


FIG. 6



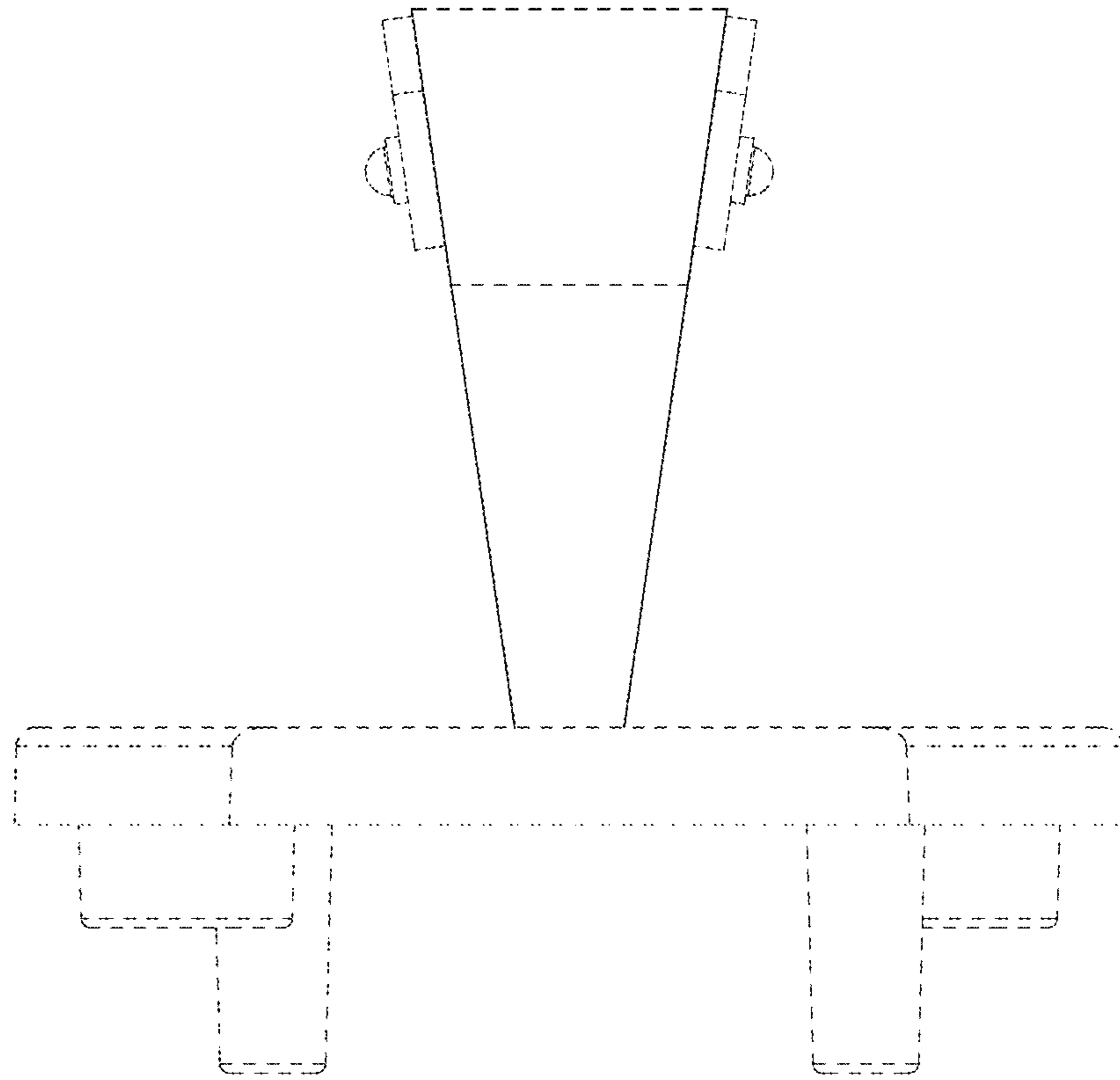


FIG. 7

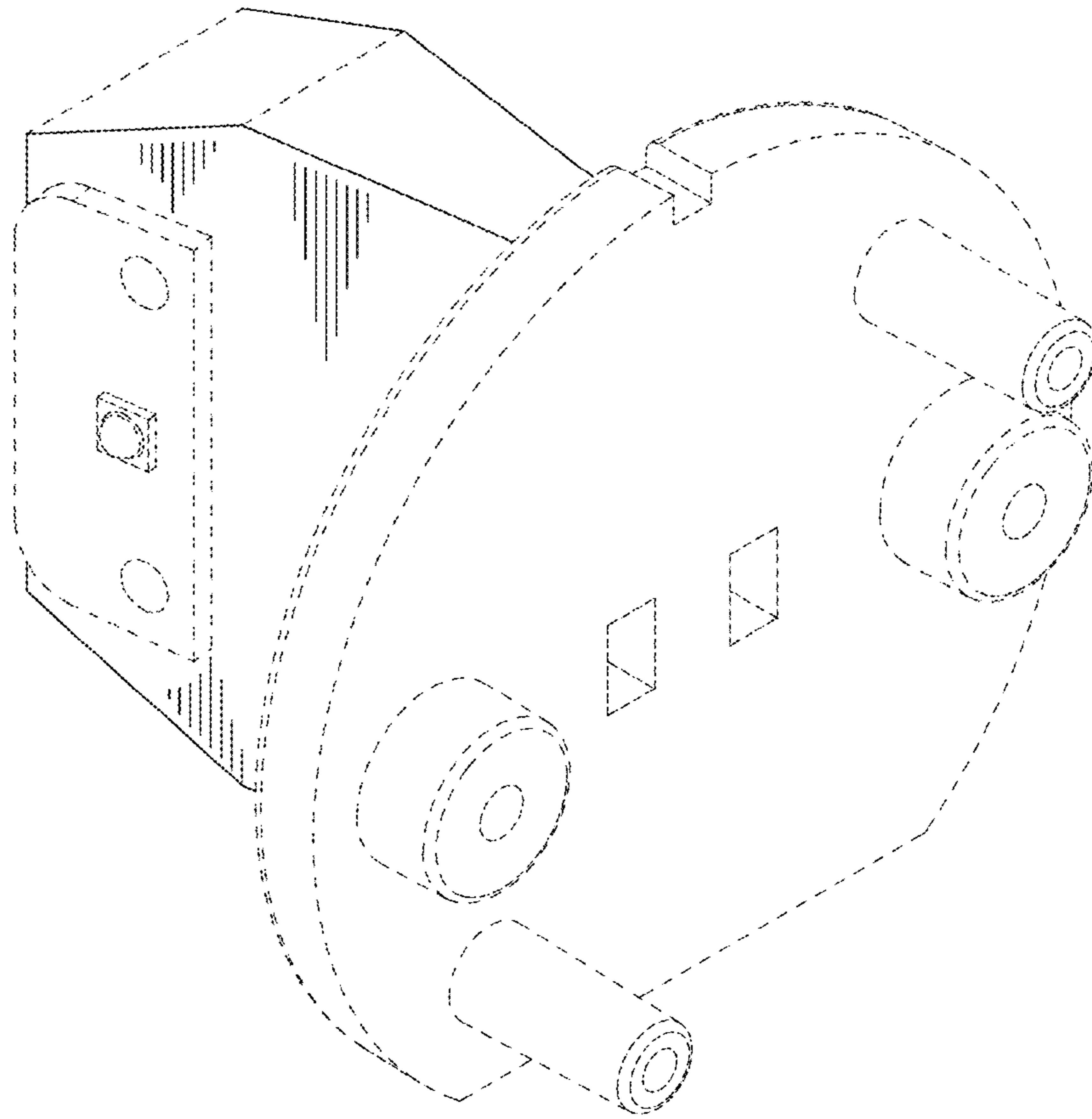


FIG. 8

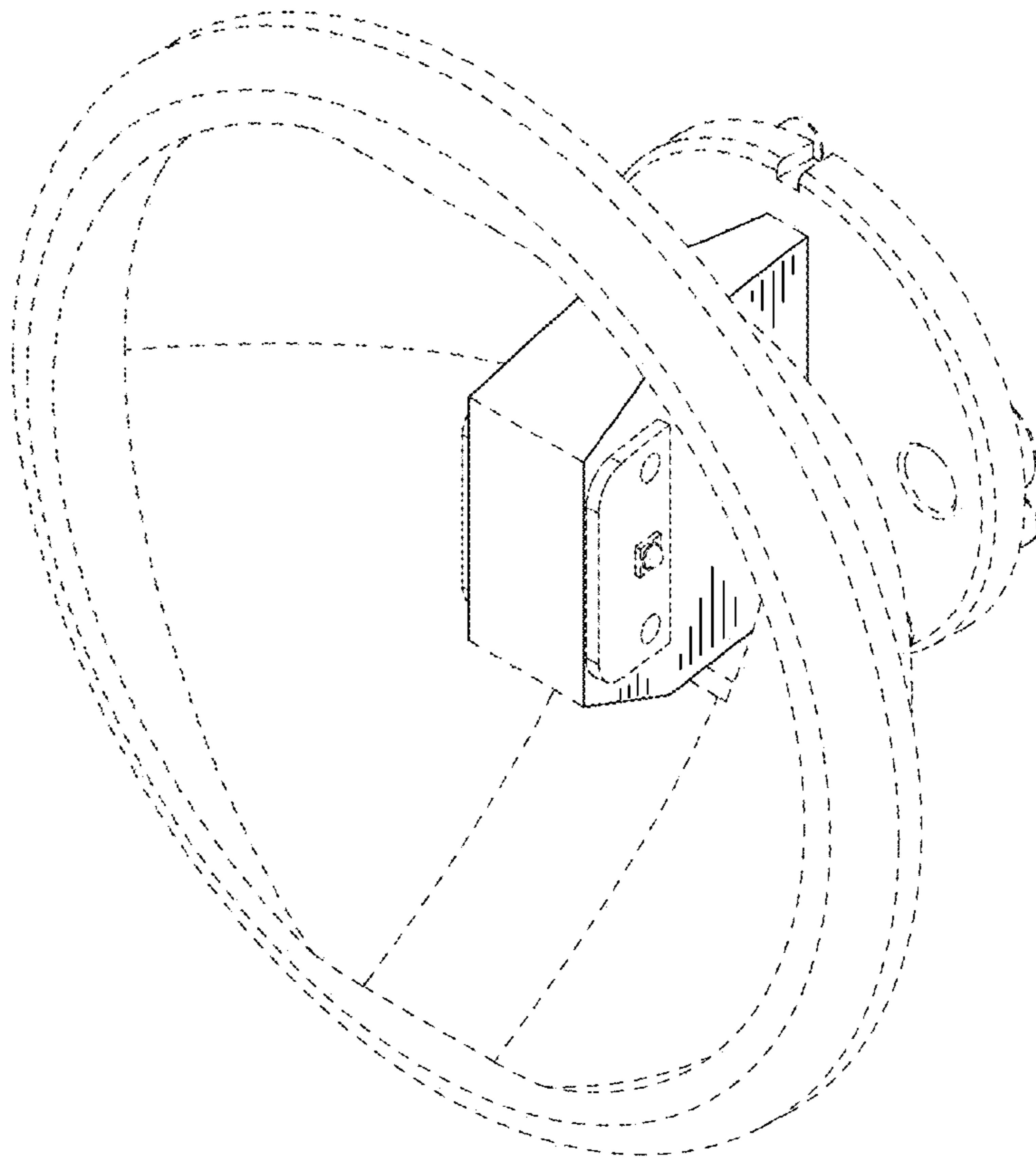


FIG. 9