



US00D870927S

(12) **United States Design Patent** (10) **Patent No.:** **US D870,927 S**
Lin (45) **Date of Patent:** **** Dec. 24, 2019**

(54) **AUTOMOBILE HEADLIGHT**
(71) Applicant: **Chi-Chung Lin**, Hsinchu (TW)
(72) Inventor: **Chi-Chung Lin**, Hsinchu (TW)
(**) Term: **15 Years**
(21) Appl. No.: **29/626,959**
(22) Filed: **Nov. 21, 2017**
(51) **LOC (12) Cl.** **26-06**
(52) **U.S. Cl.**
USPC **D26/28**
(58) **Field of Classification Search**
USPC D26/28-36
CPC F21S 48/00; F21S 48/10; F21S 48/1266;
F21S 48/1388; F21S 48/2268; F21V
21/04
See application file for complete search history.

(56) **References Cited**
U.S. PATENT DOCUMENTS
D560,291 S * 1/2008 Koyama D26/28
D560,832 S * 1/2008 Hsu D26/28
D563,576 S * 3/2008 Hanaoka D26/28
D570,007 S * 5/2008 Hsu D26/28
D591,879 S * 5/2009 Leclercq D26/28
D591,880 S * 5/2009 Futschik D26/28
D593,691 S * 6/2009 Habib D26/28

D626,261 S * 10/2010 Bildhaeuser D26/28
D643,558 S * 8/2011 Antoniadis D26/28
D743,065 S * 11/2015 Weil D26/28
D759,866 S * 6/2016 Lai D26/35
D762,314 S * 7/2016 Luk D26/28
D762,894 S * 8/2016 Luk D26/28
D830,599 S * 10/2018 Lin D26/28
D831,245 S * 10/2018 Lin D26/28
D831,246 S * 10/2018 Yang D26/28

* cited by examiner

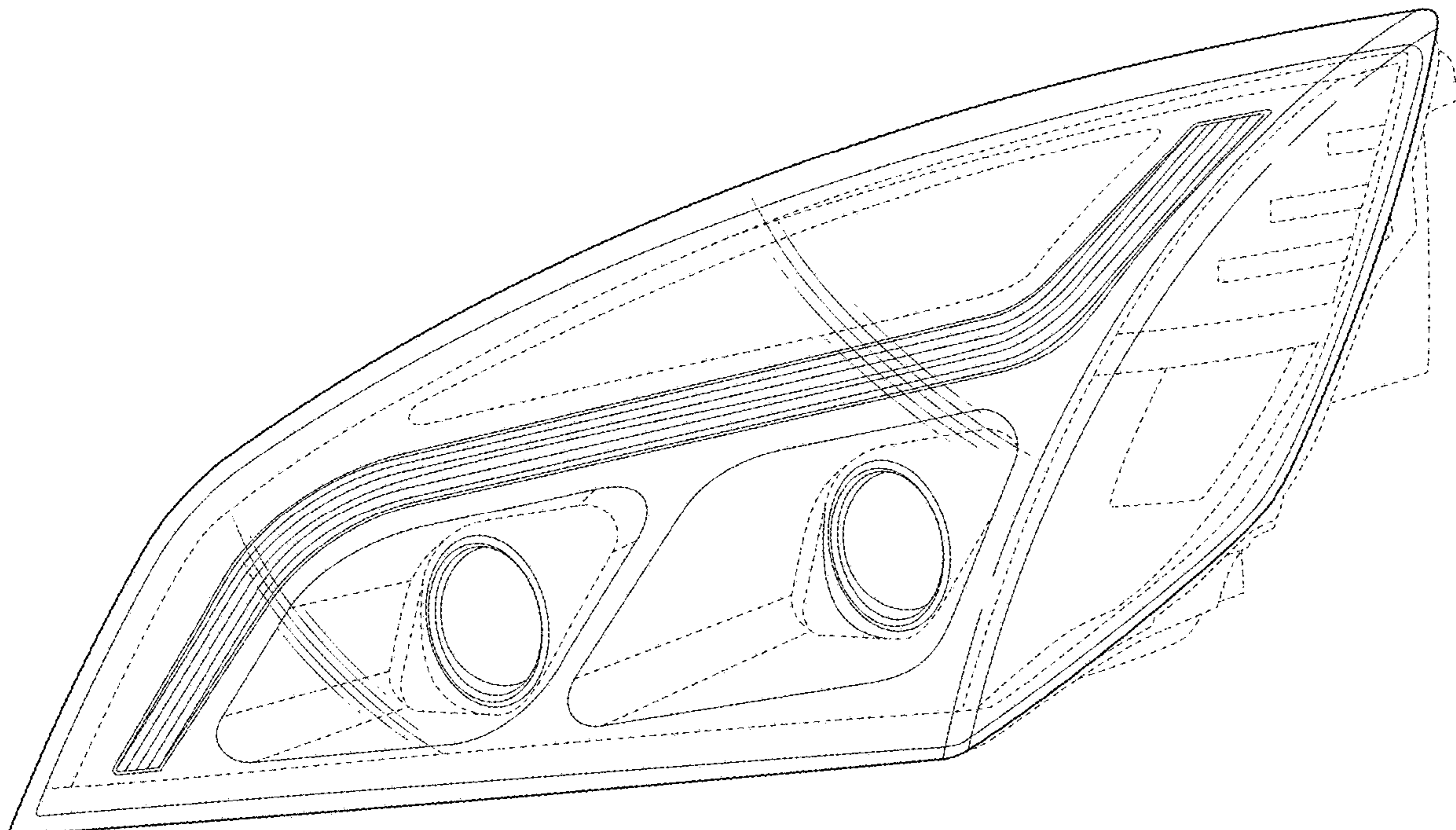
Primary Examiner — Mark A Goodwin
Assistant Examiner — Benjamin M Weeks
(74) *Attorney, Agent, or Firm* — Alexander Chen, Esq.;
Agnew International Patent & Trademark Law Firm

(57) **CLAIM**
The ornamental design for an automobile headlight, as shown and described.

DESCRIPTION

FIG. 1 is a perspective view of an automobile headlight; FIG. 2 is a front view thereof; FIG. 3 is a left side view thereof, the right side being a mirror image thereof; and, FIG. 4 is a top side view.
The broken lines are included to show environmental structure and form no part of the claimed design. The drawings and descriptions represent the left side embodiment. The claim is also for a mirror image right side embodiment.

1 Claim, 4 Drawing Sheets



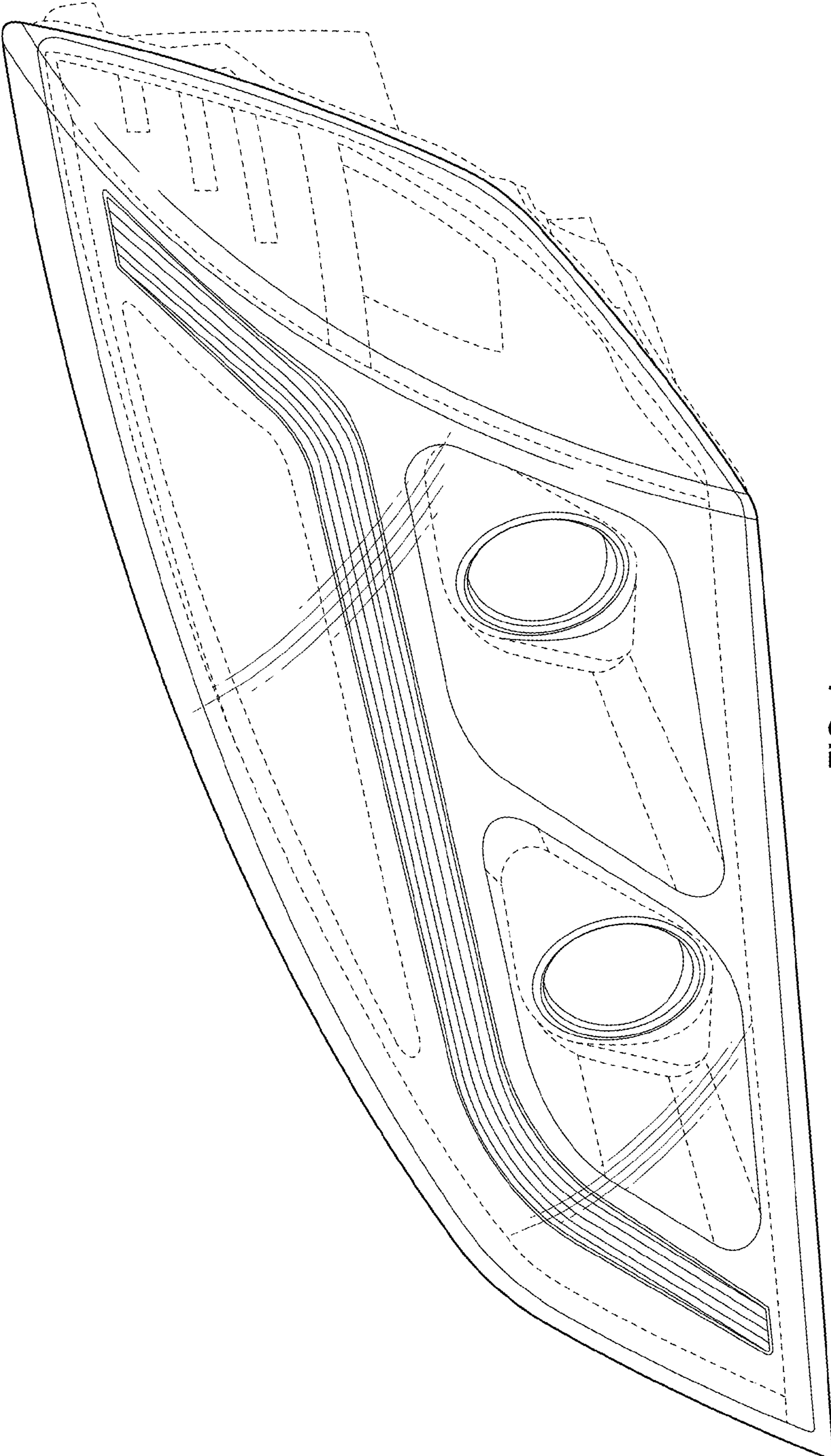


FIG. 1

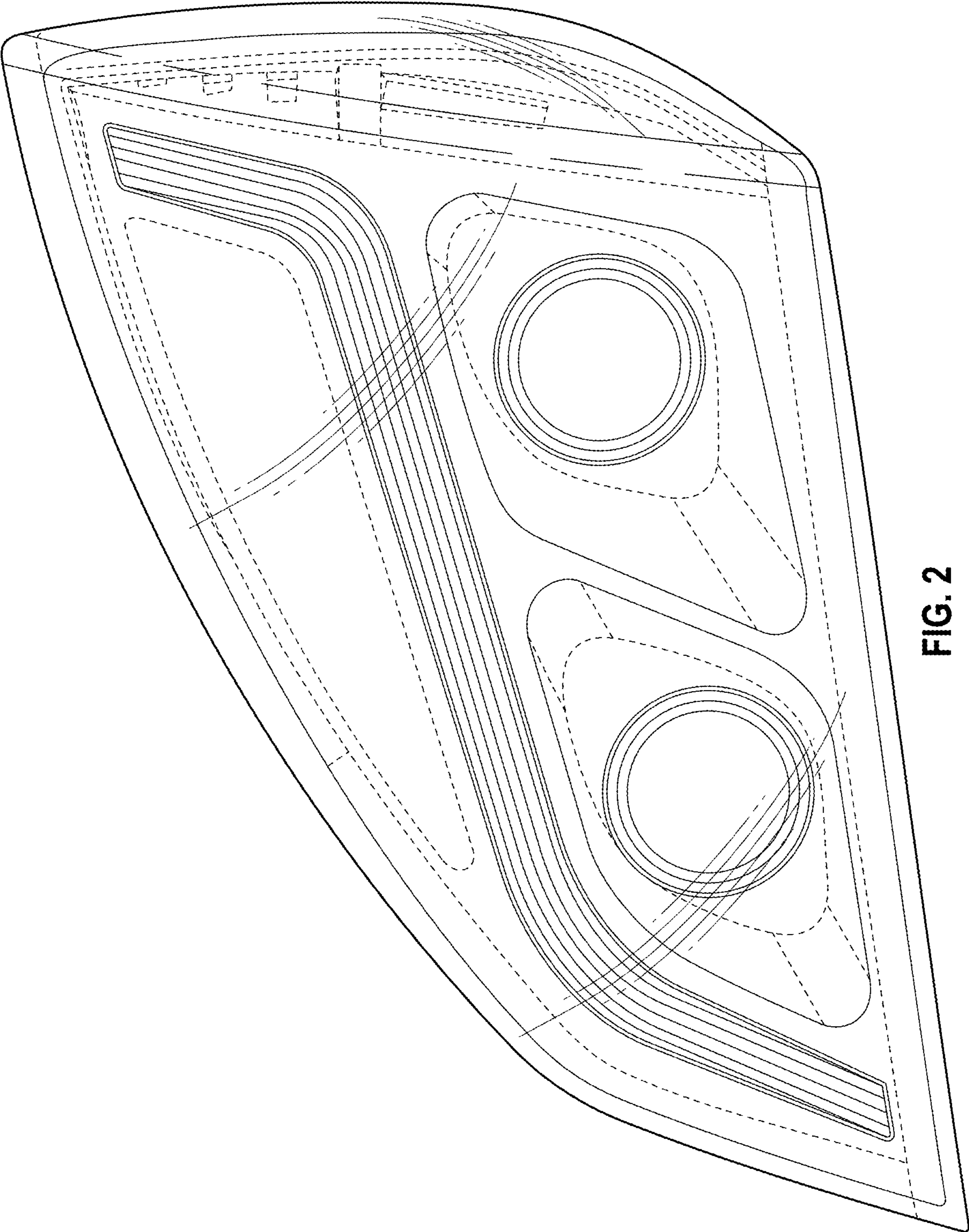


FIG. 2

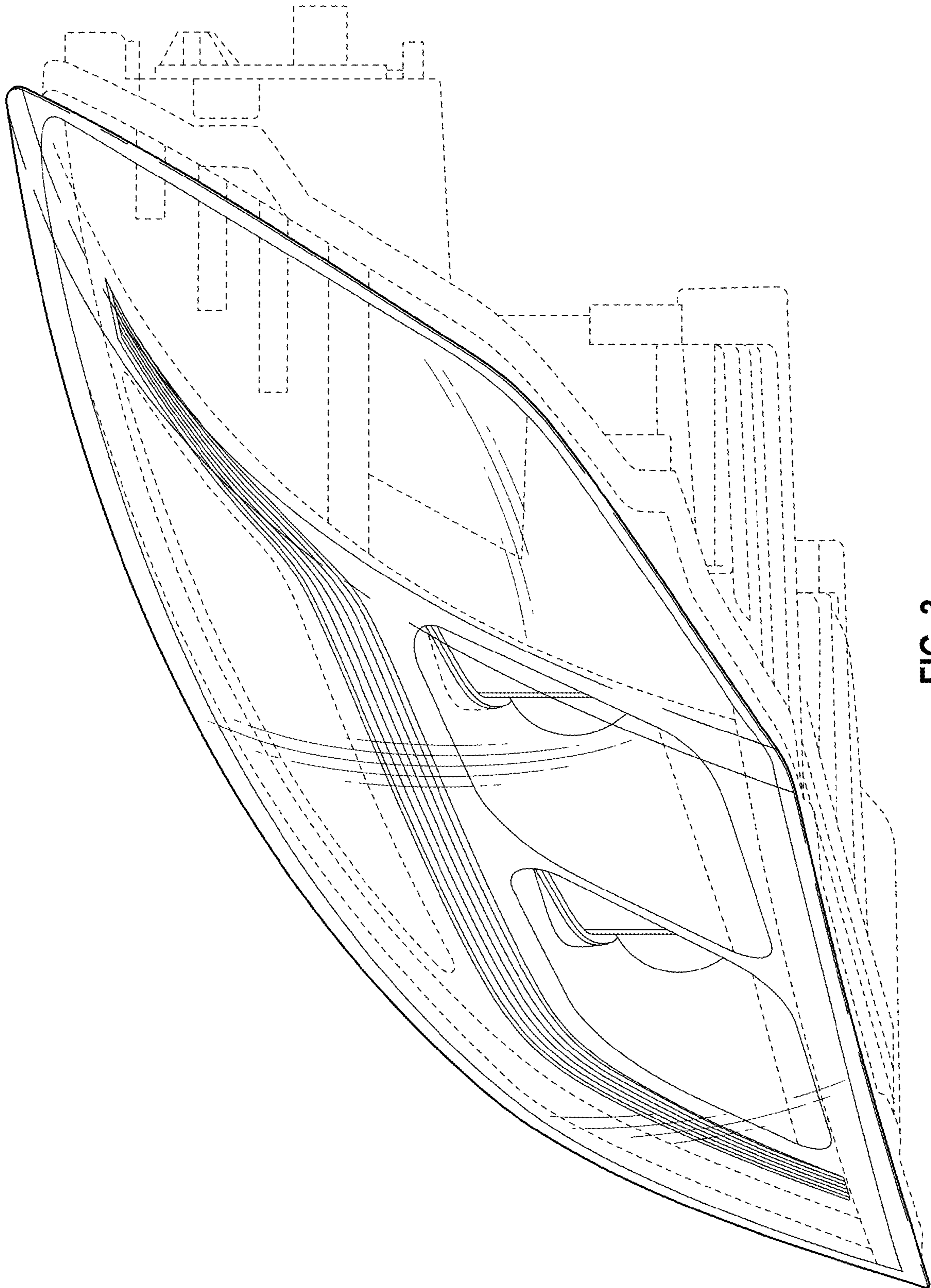


FIG. 3

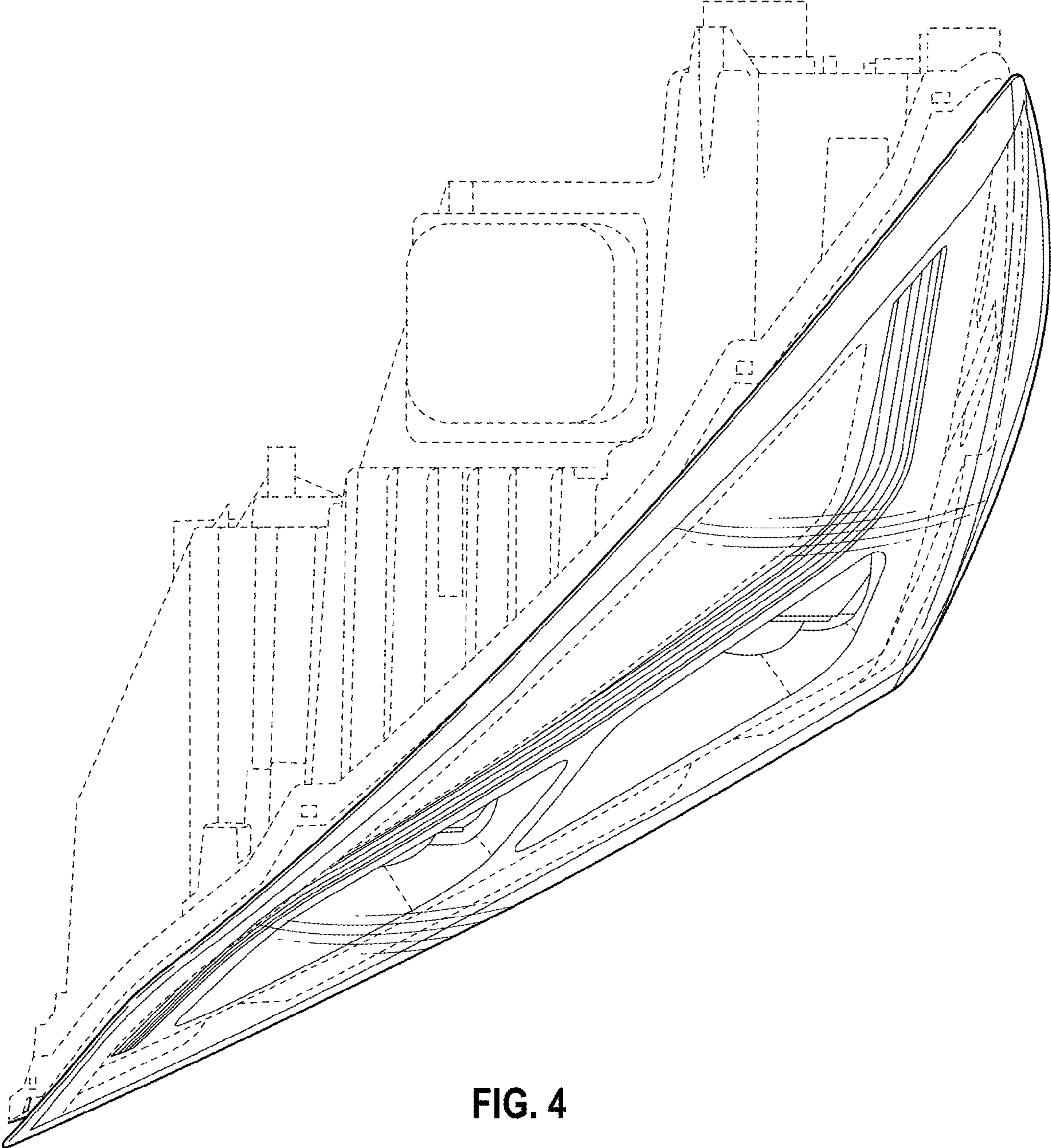


FIG. 4