



US00D870925S

(12) **United States Design Patent** (10) **Patent No.:** **US D870,925 S**  
**Wu** (45) **Date of Patent:** **\*\* Dec. 24, 2019**

(54) **VEHICLE TAIL LIGHT PART**  
(71) Applicant: **COPLUS INC.**, Tainan (TW)  
(72) Inventor: **Po-Hua Wu**, Tainan (TW)  
(73) Assignee: **Coplus Inc.**, Tainan (TW)  
(\*\*) Term: **15 Years**  
(21) Appl. No.: **29/610,628**  
(22) Filed: **Jul. 13, 2017**

(30) **Foreign Application Priority Data**  
Jan. 25, 2017 (TW) ..... 106300431  
(51) **LOC (12) Cl.** ..... **26-06**  
(52) **U.S. Cl.**  
USPC ..... **D26/28**  
(58) **Field of Classification Search**  
USPC ..... D12/86, 90-92, 114, 163, 169, 171-173,  
D12/181, 190, 196, 197, 199, 400;  
D26/28-36  
CPC ... B62J 6/02; B62J 6/00; B60Q 3/0279; F21S  
48/00; F21S 48/10; F21S 48/115; F21S  
48/225; F21S 48/1233; F21S 48/1266;  
F21S 48/1388; F21S 48/2268; F21V  
21/04  
See application file for complete search history.

(56) **References Cited**  
U.S. PATENT DOCUMENTS  
D243,273 S \* 2/1977 Braucht ..... D26/35  
D469,894 S \* 2/2003 Hsu ..... D26/28  
D596,768 S \* 7/2009 Shimizugami ..... D26/28

D653,783 S \* 2/2012 Biro ..... D26/31  
8,888,306 B2 \* 11/2014 Thomas ..... F21V 15/013  
362/92  
D729,677 S \* 5/2015 Aho ..... D10/114.4  
D759,278 S \* 6/2016 Kim ..... D26/31  
D772,454 S \* 11/2016 Ma ..... D26/31  
D775,751 S \* 1/2017 Jones, Jr. .... D26/28  
D776,314 S \* 1/2017 Aho ..... D10/114.4  
D779,985 S \* 2/2017 Deyaf ..... D10/114.4  
D781,474 S \* 3/2017 Graham ..... D26/31  
D782,090 S \* 3/2017 Graham ..... D26/31  
D808,059 S \* 1/2018 Li ..... D26/76  
D809,168 S \* 1/2018 Kennemer ..... D26/28  
2011/0176297 A1 \* 7/2011 Hsia ..... F21V 25/04  
362/217.1  
2016/0258598 A1 \* 9/2016 Adams ..... F21S 48/328

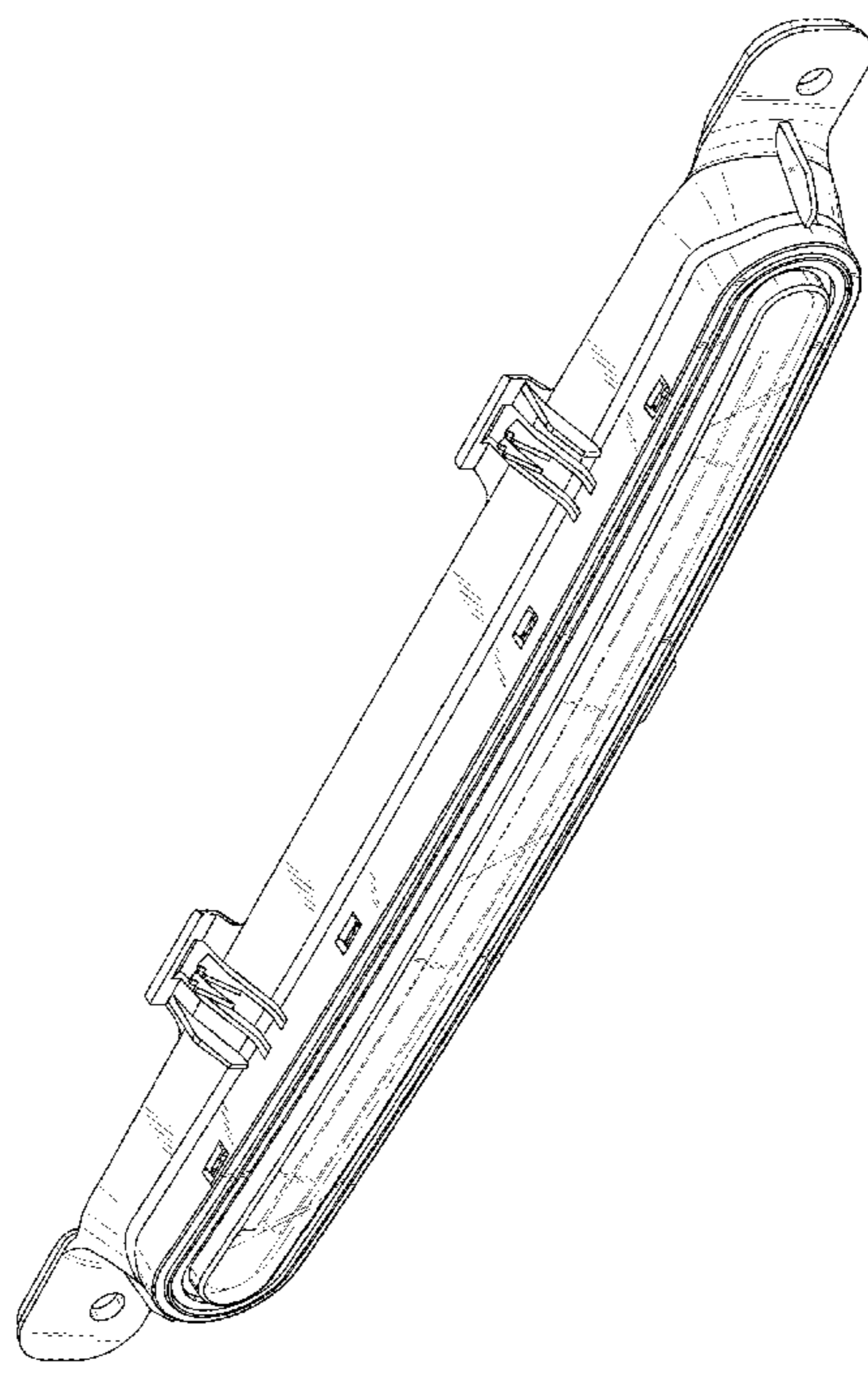
\* cited by examiner

*Primary Examiner* — Philip S Hyder  
*Assistant Examiner* — Cary M Robinson  
(74) *Attorney, Agent, or Firm* — Lewis Roca Rothgerber  
Christie LLP

(57) **CLAIM**  
The ornamental design for a vehicle tail light part, as shown  
and described.

**DESCRIPTION**  
FIG. 1 is a perspective view of the vehicle tail light part;  
FIG. 2 is a front view thereof;  
FIG. 3 is a rear view thereof;  
FIG. 4 is a left side view thereof;  
FIG. 5 is a right side view thereof;  
FIG. 6 is a top view thereof; and,  
FIG. 7 is a bottom view thereof.

**1 Claim, 4 Drawing Sheets**



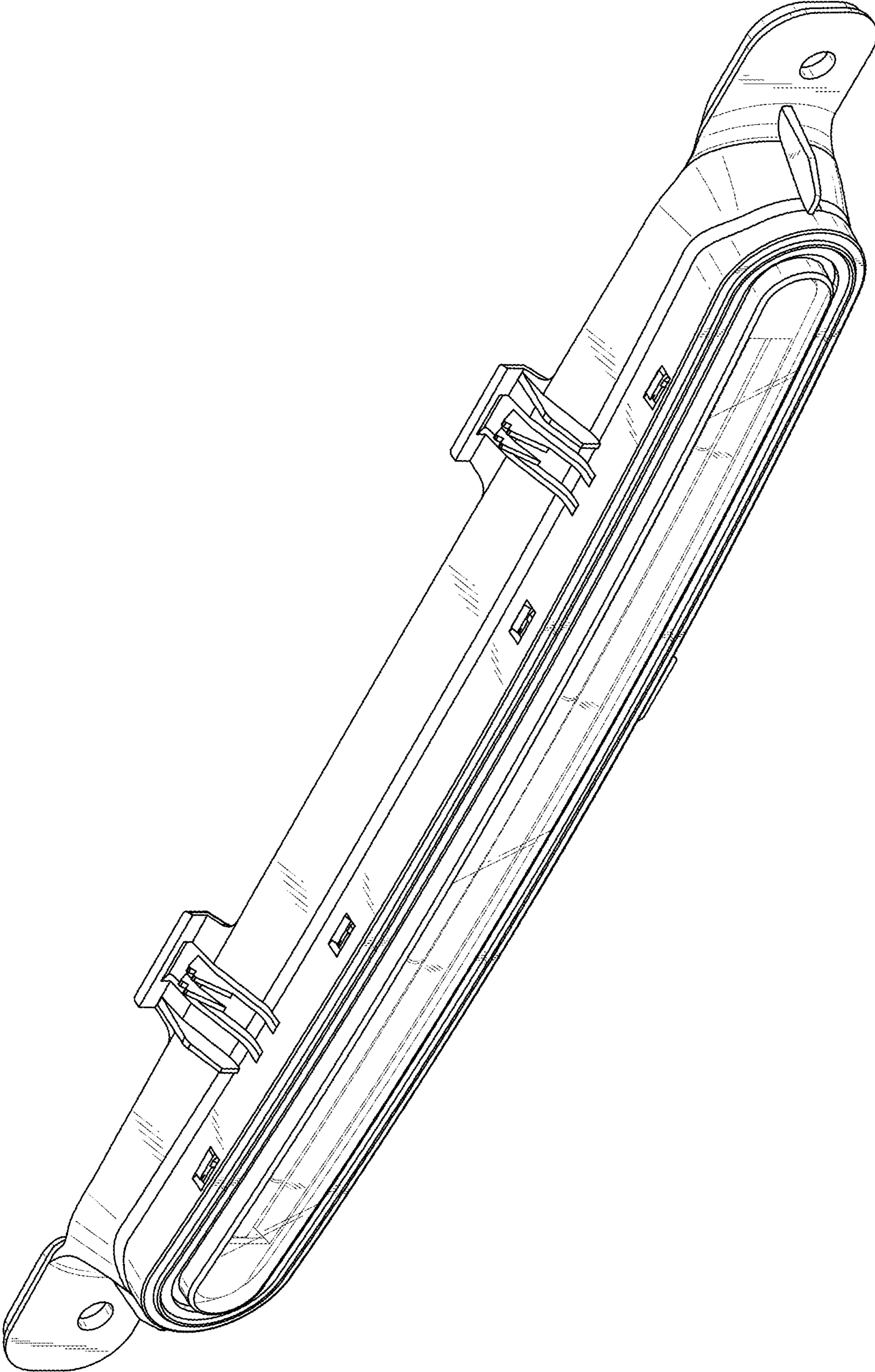


FIG. 1

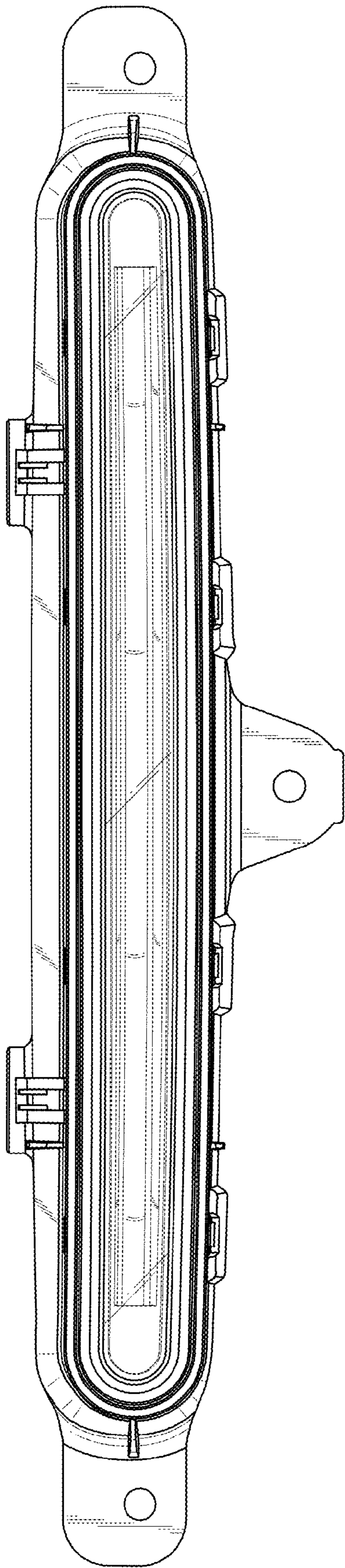


FIG. 2

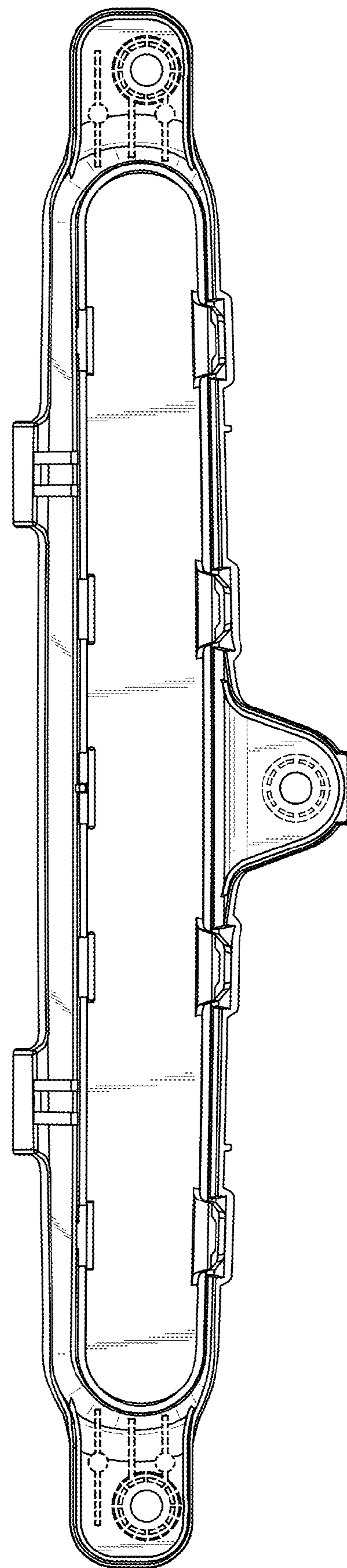


FIG. 3

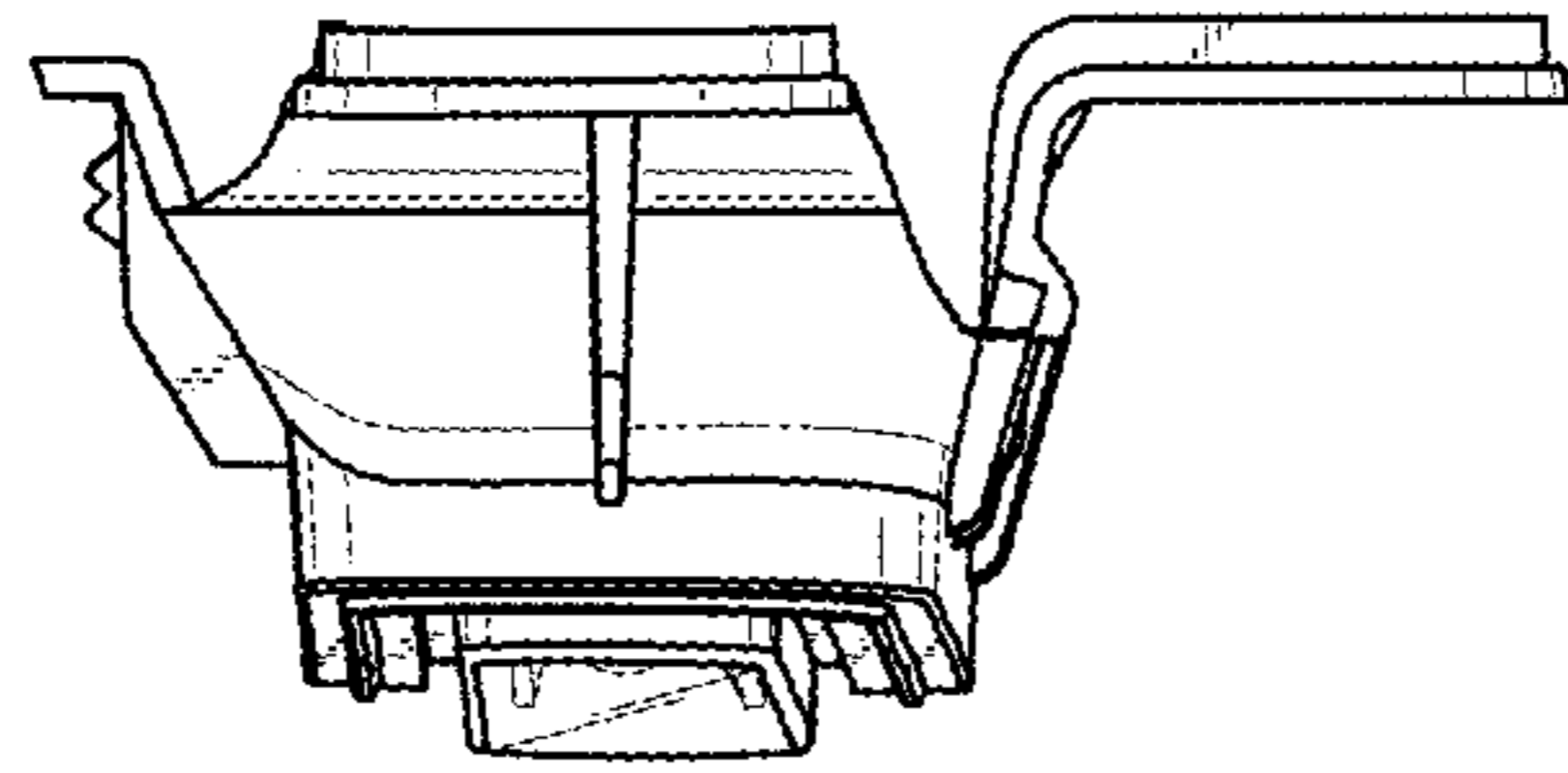


FIG. 5

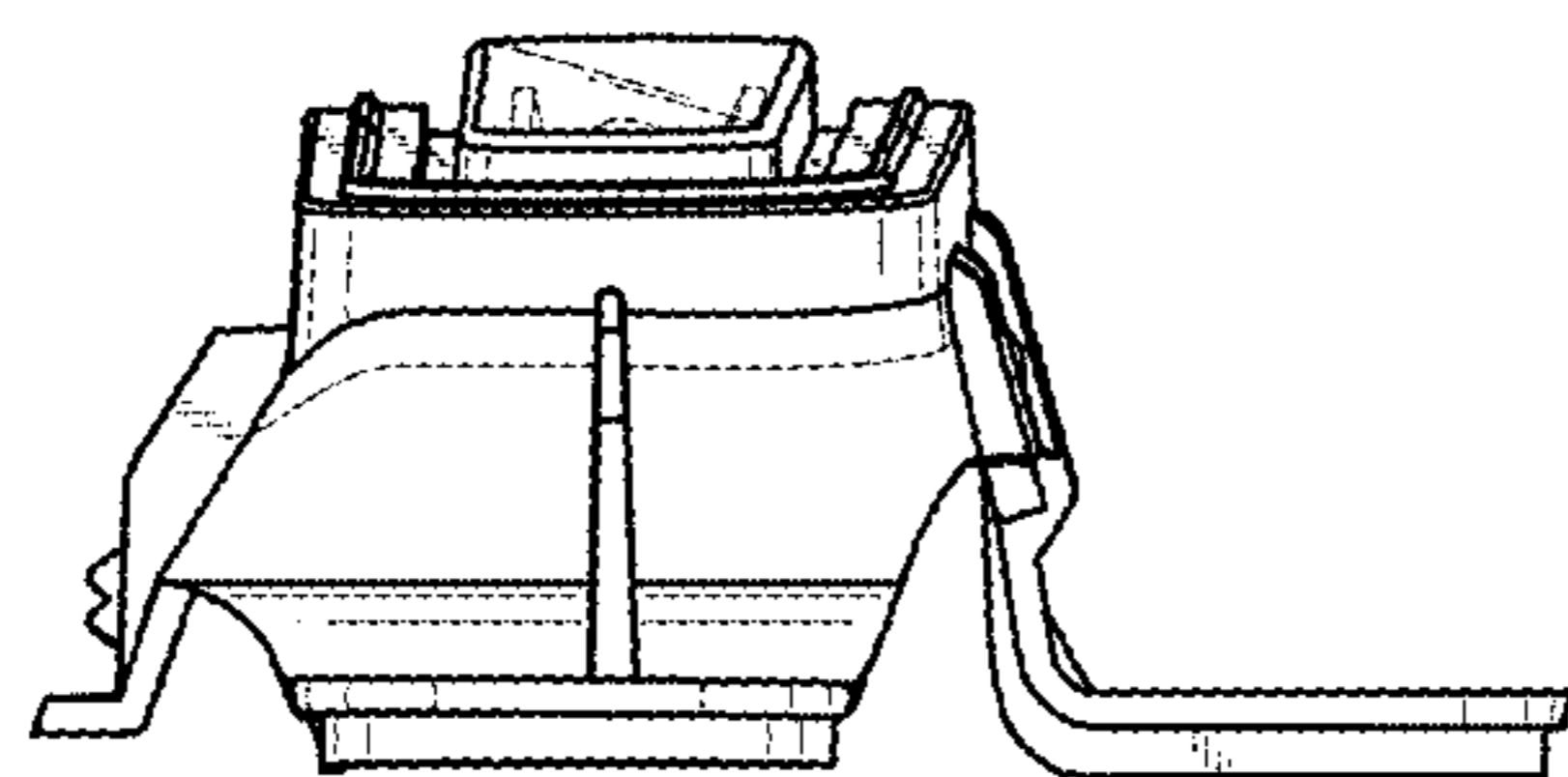


FIG. 4

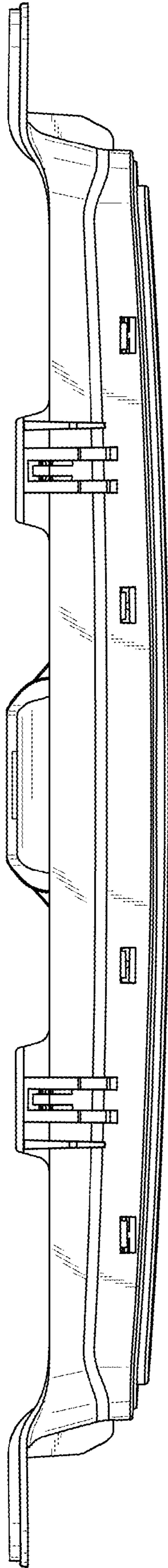


FIG. 6

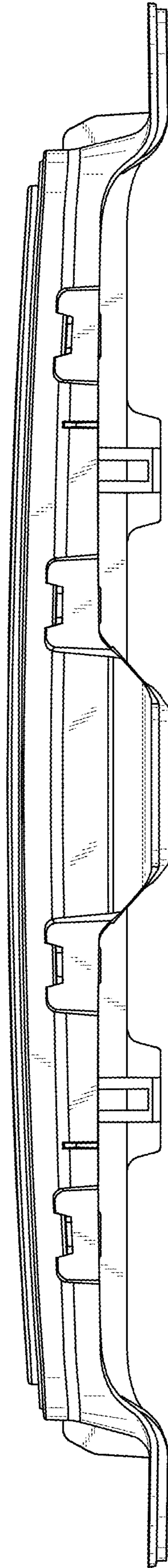


FIG. 7