



US00D870924S

(12) **United States Design Patent** (10) **Patent No.:** **US D870,924 S**
Trim (45) **Date of Patent:** **** Dec. 24, 2019**

(54) **HEAD LIGHT**

(71) Applicant: **Jaguar Land Rover Limited**, Whitley, Coventry (GB)

(72) Inventor: **James Trim**, Coventry (GB)

(73) Assignee: **Jaguar Land Rover Limited**, Whitley, Coventry (GB)

(**) Term: **15 Years**

(21) Appl. No.: **29/605,387**

(22) Filed: **May 25, 2017**

(30) **Foreign Application Priority Data**

Nov. 30, 2016 (EM) 003492883-0001

(51) **LOC (12) Cl.** **26-06**

(52) **U.S. Cl.**
USPC **D26/28**

(58) **Field of Classification Search**

USPC D12/86, 90-92, 114, 163, 169, 171-173, D12/181, 190, 196, 197, 199, 400; D26/28-36

CPC ... B62J 6/02; B62J 6/00; B60Q 3/0279; F21S 48/00; F21S 48/10; F21S 48/115; F21S 48/225; F21S 48/1233; F21S 48/1266; F21S 48/1388; F21S 48/2268; F21V 21/04

See application file for complete search history.

(56) **References Cited**

U.S. PATENT DOCUMENTS

| | | | | |
|--------------|---------|-----------|-------|--------|
| D507,362 S * | 7/2005 | Minami | | D26/28 |
| D526,428 S * | 8/2006 | Yagihashi | | D26/28 |
| D529,208 S * | 9/2006 | Ikeda | | D26/28 |
| D536,113 S * | 1/2007 | Pfeiffer | | D26/28 |
| D537,180 S * | 2/2007 | Hsu | | D26/28 |
| D545,462 S * | 6/2007 | Kaoud | | D26/28 |
| D556,349 S * | 11/2007 | Golden | | D26/28 |

| | | | | |
|--------------|---------|---------------|-------|--------|
| D558,906 S * | 1/2008 | Golden | | D26/28 |
| D565,762 S * | 4/2008 | Zheng | | D26/28 |
| D569,020 S * | 5/2008 | Schiavone | | D26/28 |
| D605,792 S * | 12/2009 | Weil | | D26/28 |
| D612,961 S * | 3/2010 | Lamm | | D26/28 |
| D676,168 S * | 2/2013 | Lai | | D26/28 |
| D686,356 S * | 7/2013 | Morgenstern | | D26/28 |
| D720,869 S * | 1/2015 | Knoedle-Bunte | | D26/28 |
| D785,823 S * | 5/2017 | Knoedle-Bunte | | D26/28 |

(Continued)

Primary Examiner — Philip S Hyder

Assistant Examiner — Cary M Robinson

(74) *Attorney, Agent, or Firm* — Wood Herron & Evans LLP

(57) **CLAIM**

The ornamental design for a head light, as shown and described.

DESCRIPTION

FIG. 1 is a front left perspective view of a head light according to the present invention.

FIG. 2 is a front right perspective view of the head light shown in FIG. 1.

FIG. 3 is a rear right perspective view thereof.

FIG. 4 is a rear left perspective view thereof.

FIG. 5 is a front view thereof.

FIG. 6 is a rear view thereof.

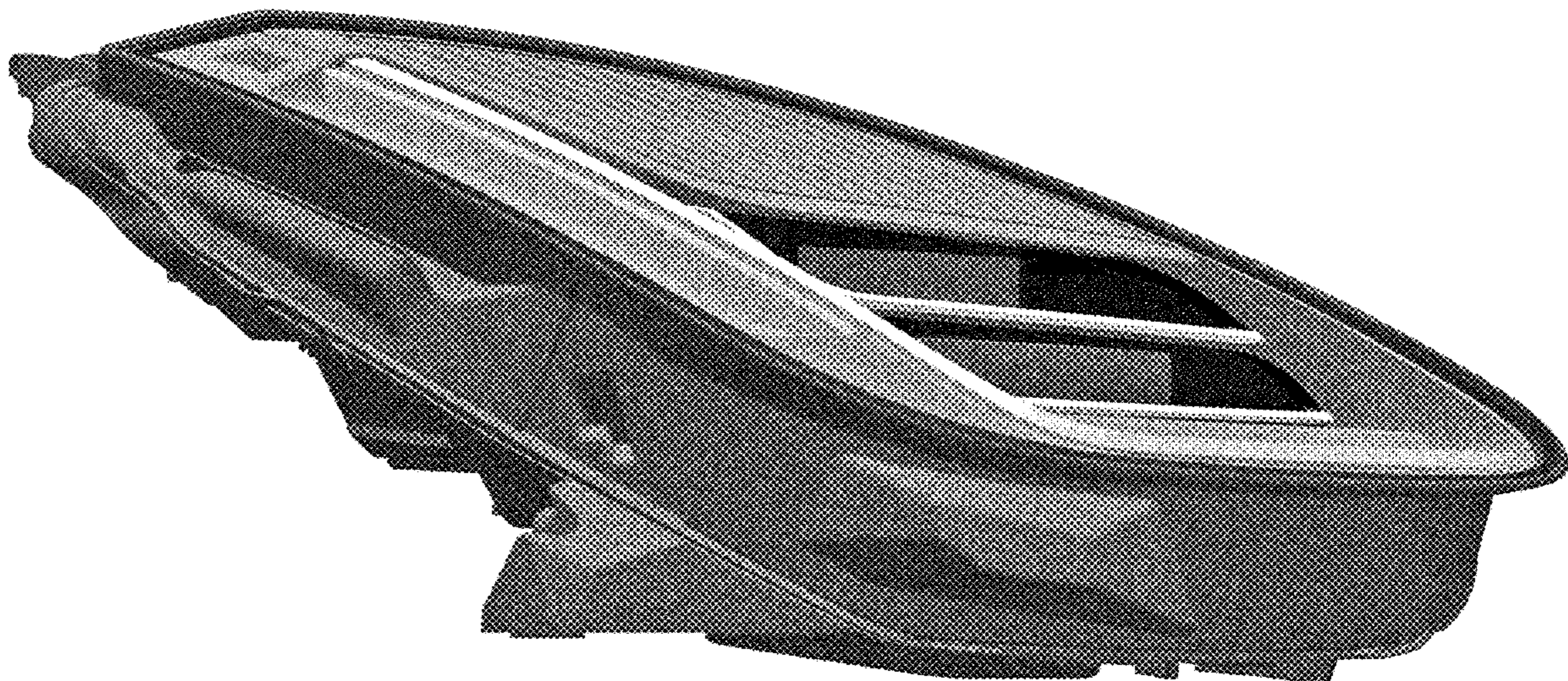
FIG. 7 is a left side view thereof.

FIG. 8 is a right side view thereof.

FIG. 9 is a top view thereof; and,

FIG. 10 is a front left perspective of the head light shown in FIGS. 1-9, mounted on a vehicle, with the rest of the vehicle shown in de-emphasized and half-tone portions so as to illustrate environmental structure. These portions form no part of the claimed design. More particularly, in FIG. 10, the inventive head light is shown within the broken line, and the elements shown outside the broken line form no part of the claimed design, but are instead included to show environmental aspects thereof.

1 Claim, 10 Drawing Sheets



(56)

References Cited

U.S. PATENT DOCUMENTS

| | | | | | |
|--------------|------|---------|----------|-------|----------------------|
| D821,618 | S * | 6/2018 | Granlund | | D26/28 |
| D846,163 | S * | 4/2019 | Thomas | | D26/28 |
| D846,765 | S * | 4/2019 | Thomas | | D26/28 |
| D847,388 | S * | 4/2019 | Bernardi | | D26/28 |
| D848,645 | S * | 5/2019 | Thomas | | D26/28 |
| D850,669 | S * | 6/2019 | Hatton | | D26/28 |
| 2011/0310610 | A1 * | 12/2011 | Brown | | B60Q 1/56 362/253 |
| 2013/0194817 | A1 * | 8/2013 | Ito | | B60Q 1/02 362/538 |

* cited by examiner

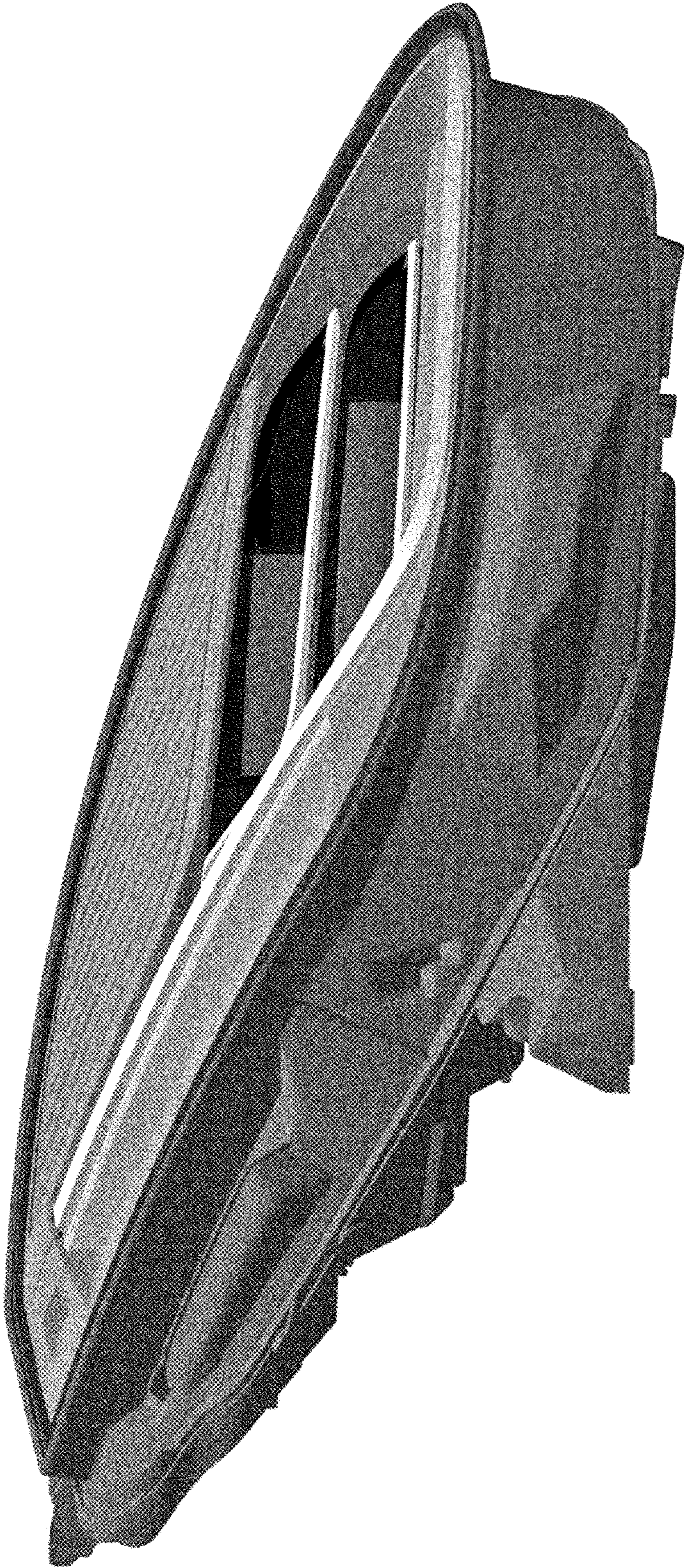


FIG. 1

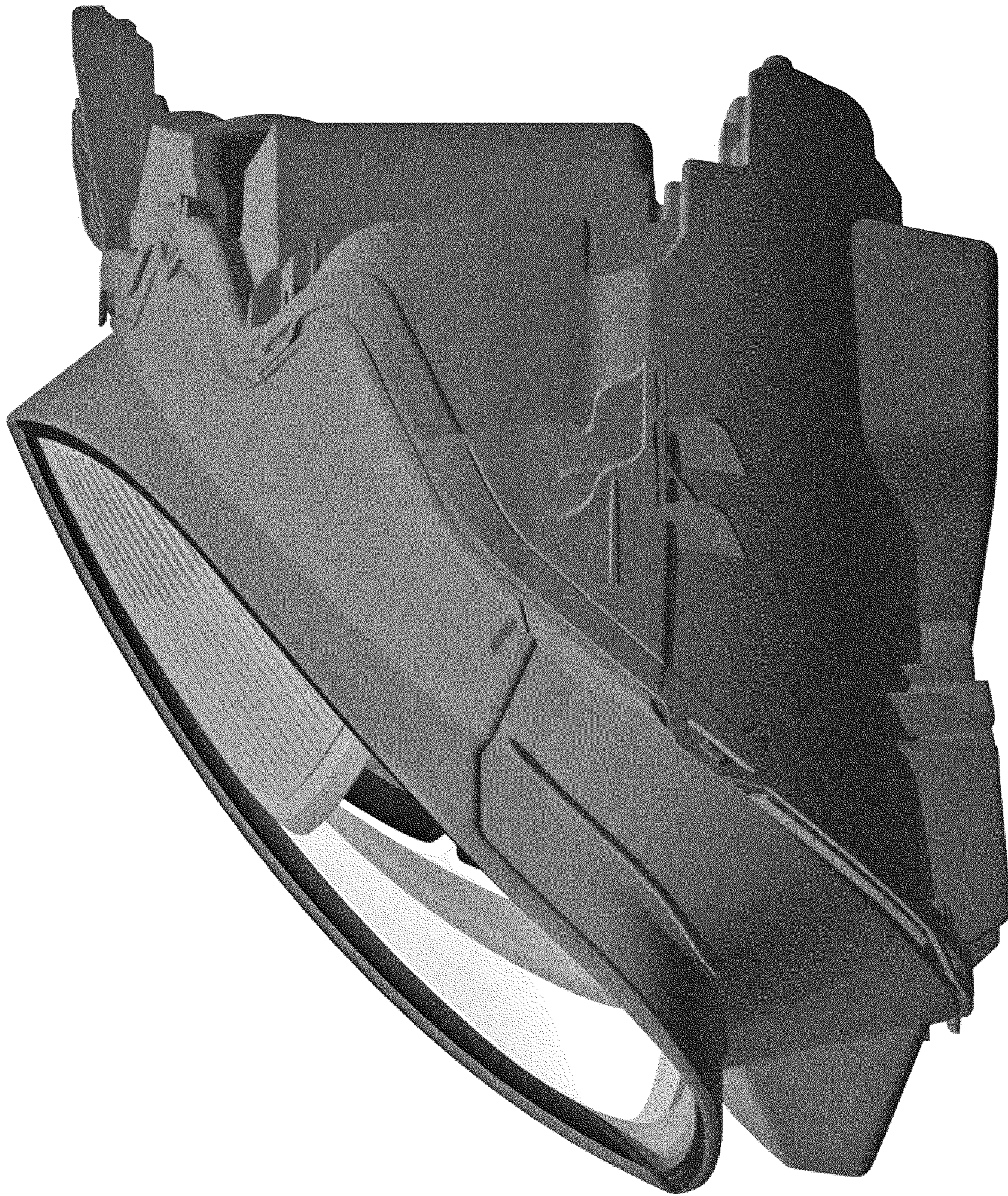


FIG. 2

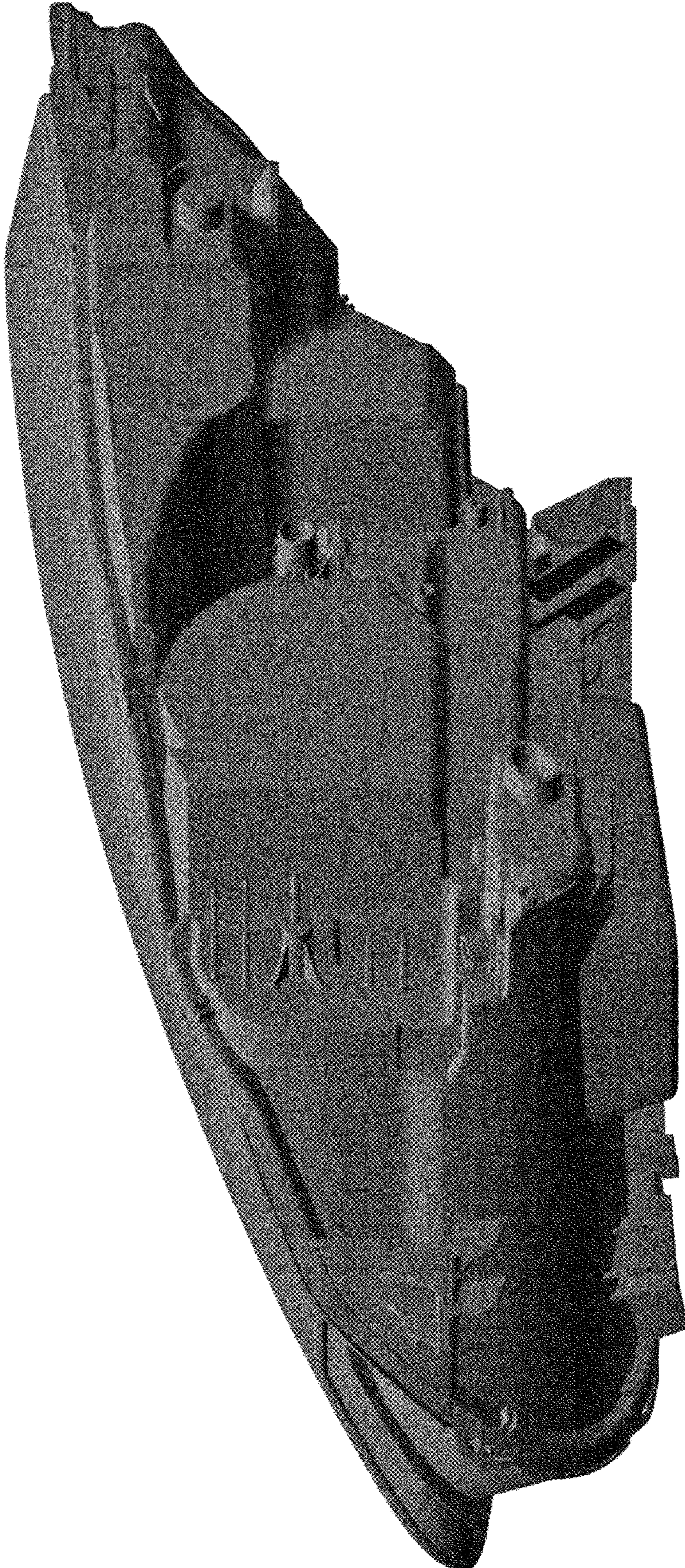


FIG. 3

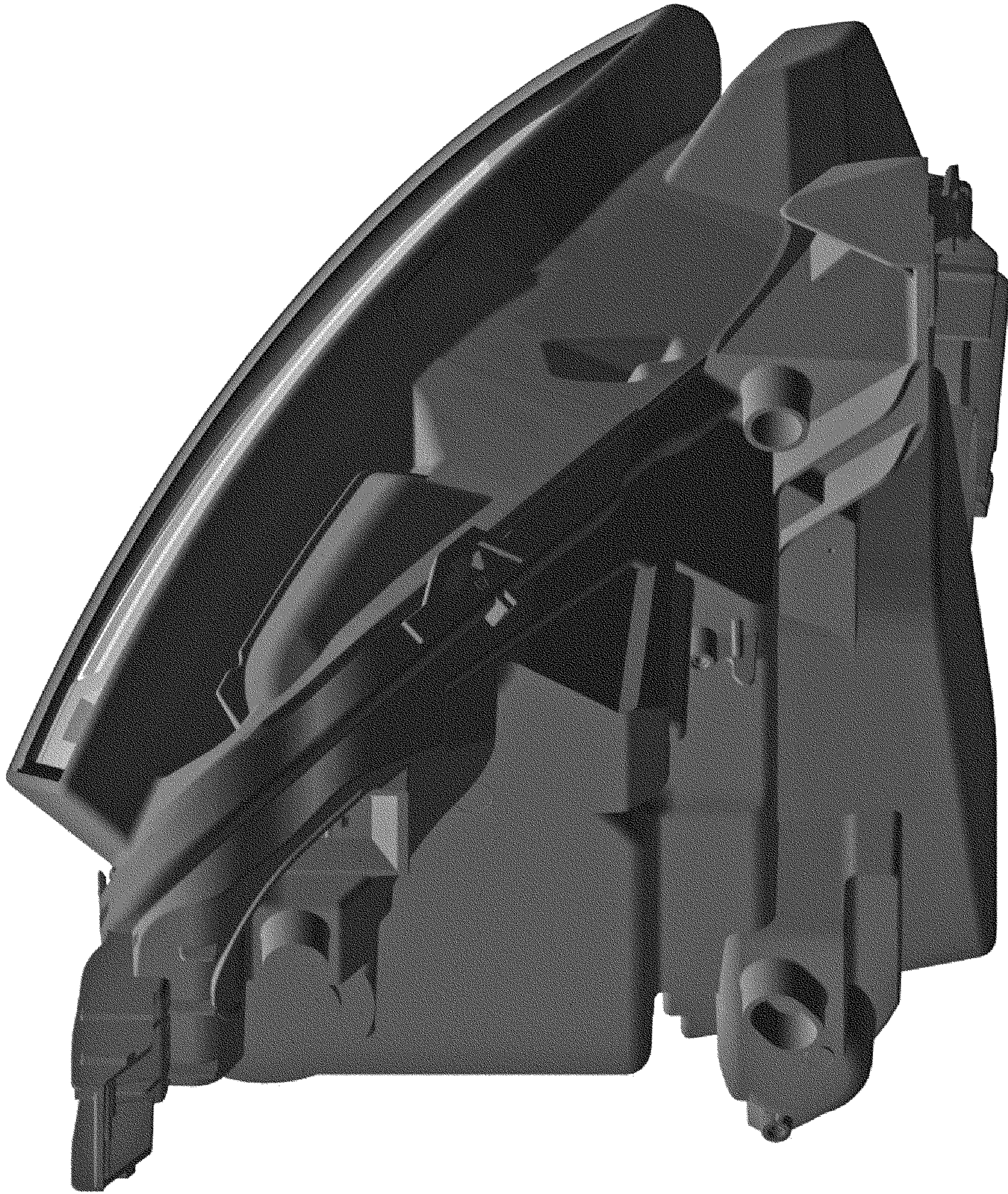


FIG. 4

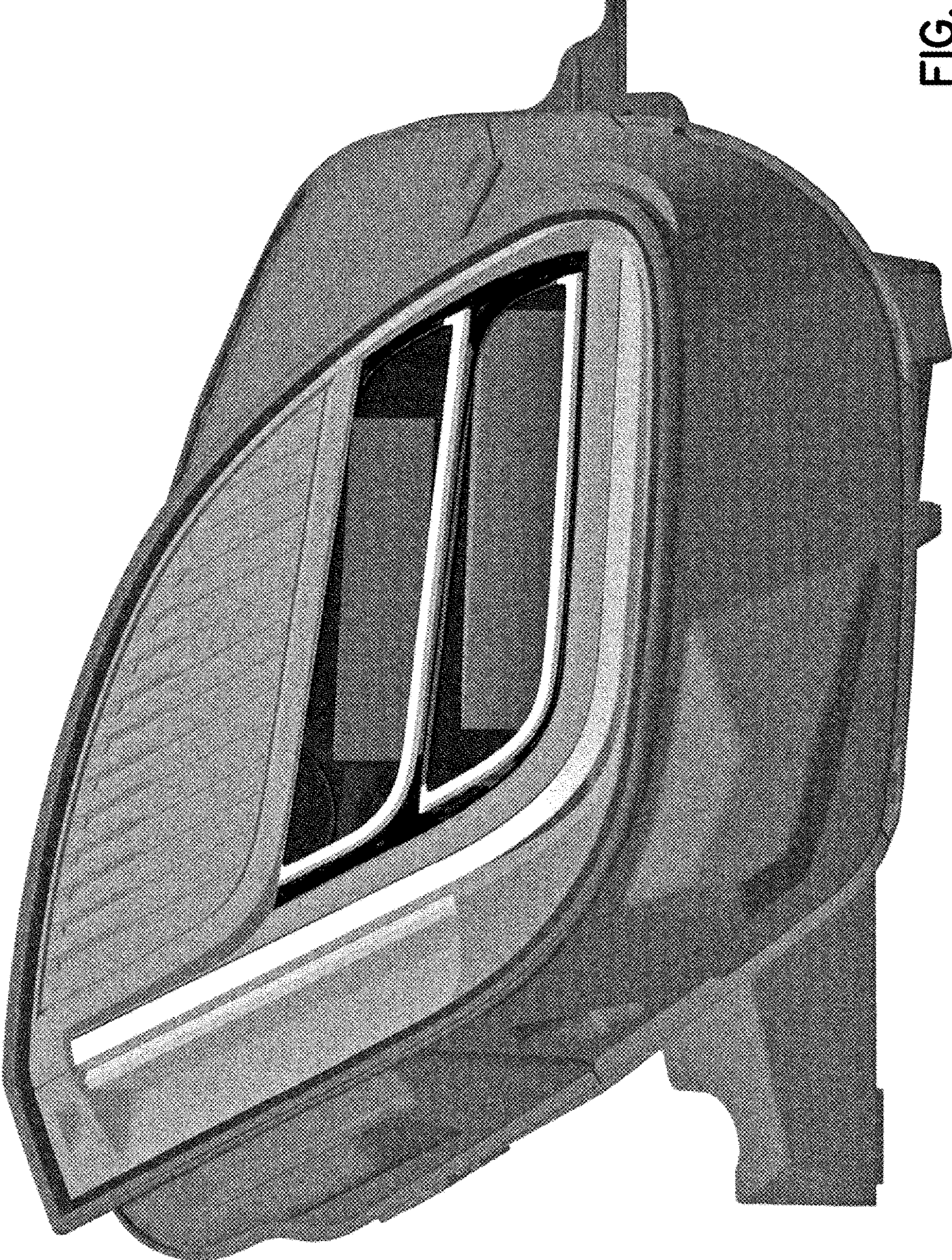


FIG. 5

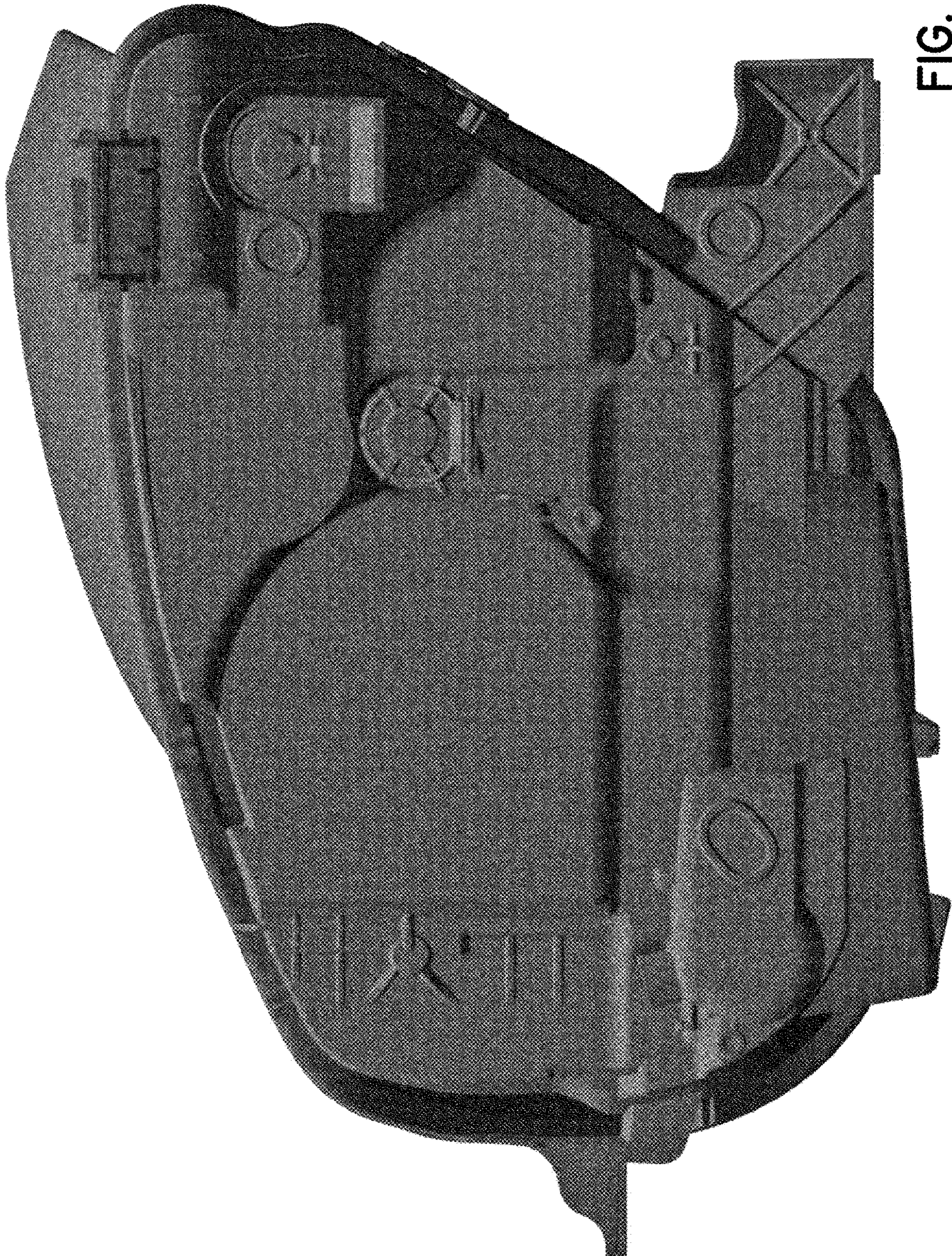


FIG. 6

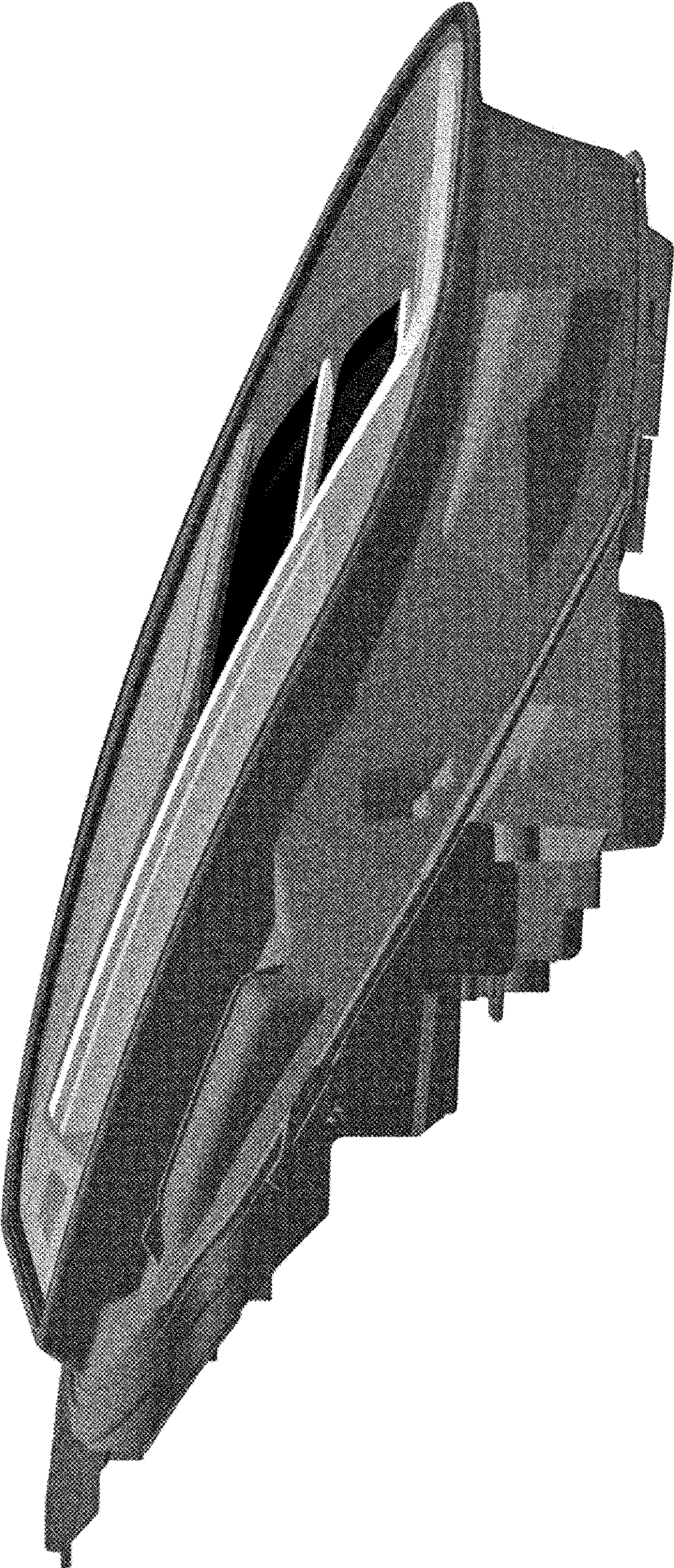


FIG. 7

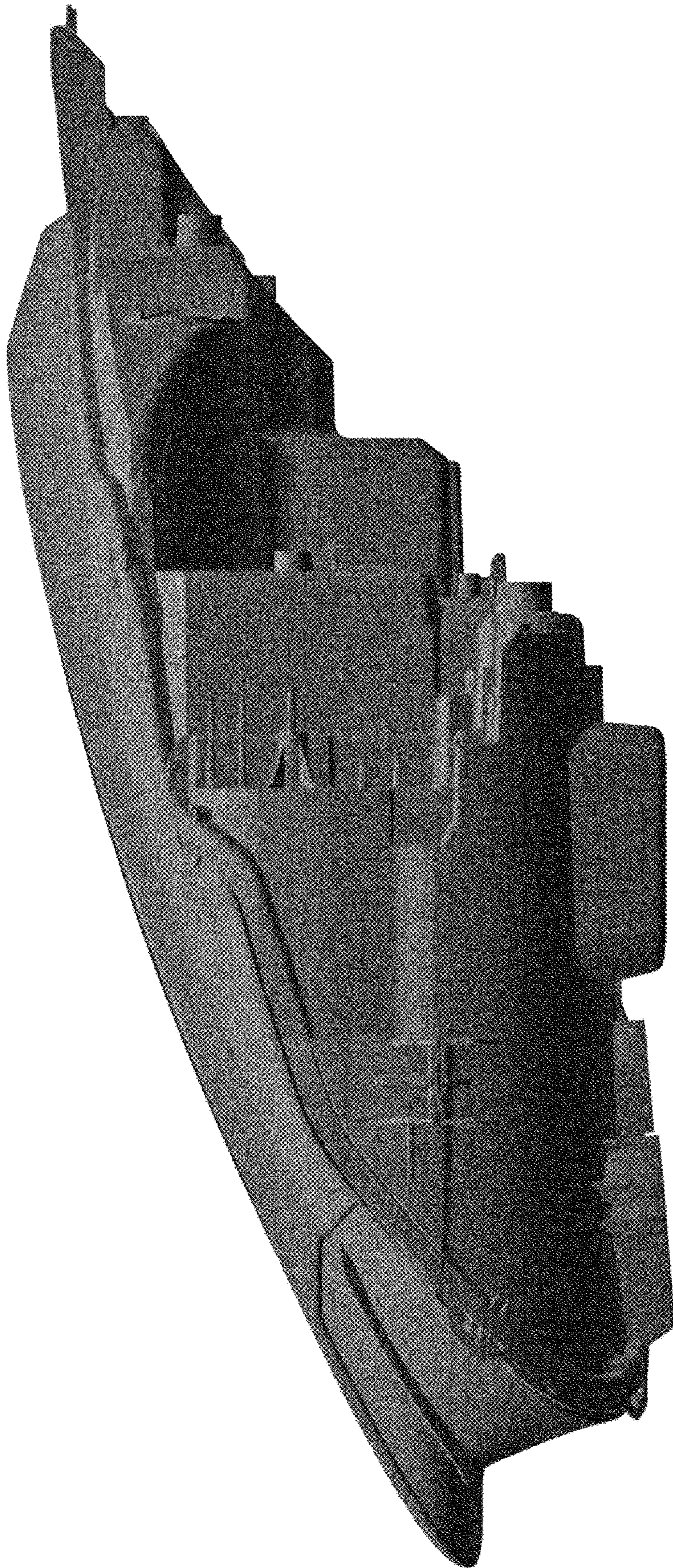


FIG. 8

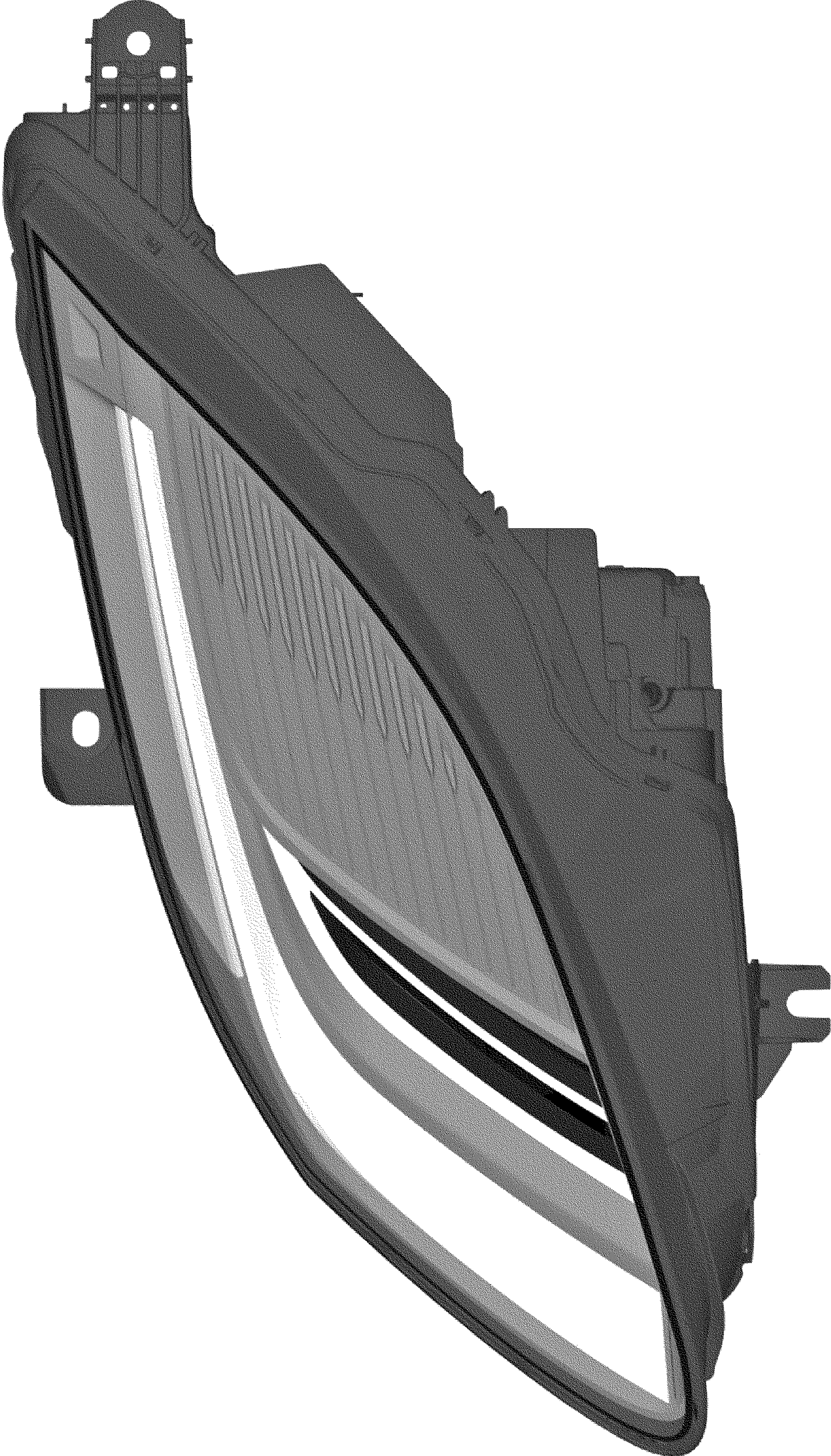


FIG. 9

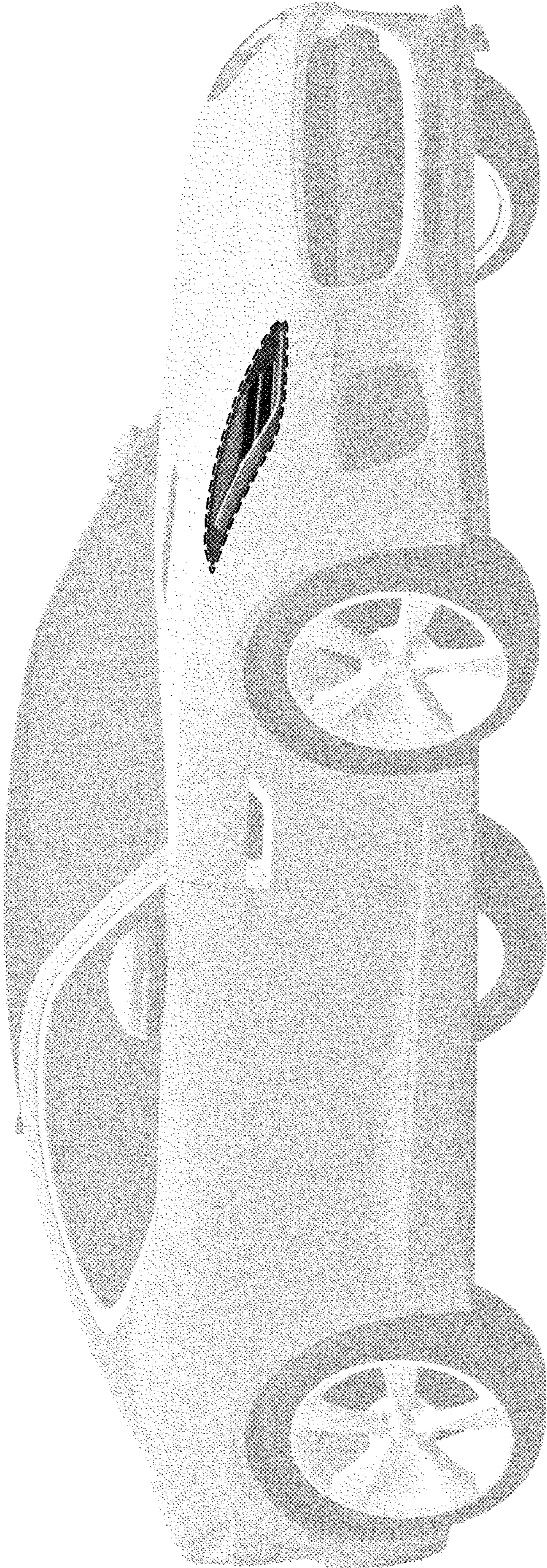


FIG. 10