



US00D870922S

(12) **United States Design Patent**
Hawes et al.

(10) **Patent No.:** **US D870,922 S**
(45) **Date of Patent:** **** Dec. 24, 2019**

(54) **DRAINAGE COMPONENT**

FOREIGN PATENT DOCUMENTS

(71) Applicant: **Marshalls Mono Limited**, Elland (GB)

DE 2551599 A1 5/1977
DE 4428482 A1 2/1996

(72) Inventors: **Martin Christopher Hawes**, Elland (GB); **Christopher Mark Lamb**, Elland (GB)

(Continued)

(73) Assignee: **Marshalls Mono Limited**, Elland, West Yorkshire (GB)

OTHER PUBLICATIONS

CMS Drexus Driveline Drain https://cms.esi.info/Media/documents/38030_1502200184899.pdf last modified Aug. 8, 2017 (Year: 2017).*

(**) Term: **15 Years**

Primary Examiner — Leanne Was-Englehart

(21) Appl. No.: **29/680,452**

(74) *Attorney, Agent, or Firm* — Downs Rachlin Martin PLLC

(22) Filed: **Feb. 15, 2019**

(57) **CLAIM**

The ornamental design for a drainage component, as shown and described.

Related U.S. Application Data

DESCRIPTION

(60) Continuation of application No. 29/648,678, filed on May 23, 2018, now Pat. No. Des. 844,858, which is (Continued)

FIG. 1 is a perspective view of a first embodiment of a drainage component showing our new design;

(30) **Foreign Application Priority Data**

Jul. 27, 2016 (EM) 003321595

FIG. 2 is a front view thereof;

(51) **LOC (12) Cl.** **25-01**

FIG. 3 is a rear view thereof;

(52) **U.S. Cl.**

USPC **D25/114**

FIG. 4 is a first side view thereof;

(58) **Field of Classification Search**

USPC D25/113–118, 138, 152–157

FIG. 5 is a second side view thereof;

(Continued)

FIG. 6 is a top view thereof;

(56) **References Cited**

U.S. PATENT DOCUMENTS

511,249 A * 12/1893 Oudin E04B 2/14
52/606

FIG. 7 is a bottom view thereof;

1,477,258 A * 12/1923 Gilbert E04B 2/14
138/115

FIG. 8 is a perspective view of a second embodiment of a drainage component showing our new design;

(Continued)

FIG. 9 is a front view of FIG. 8;

FIG. 10 is a rear view of FIG. 8;

FIG. 11 is a first side view of FIG. 8;

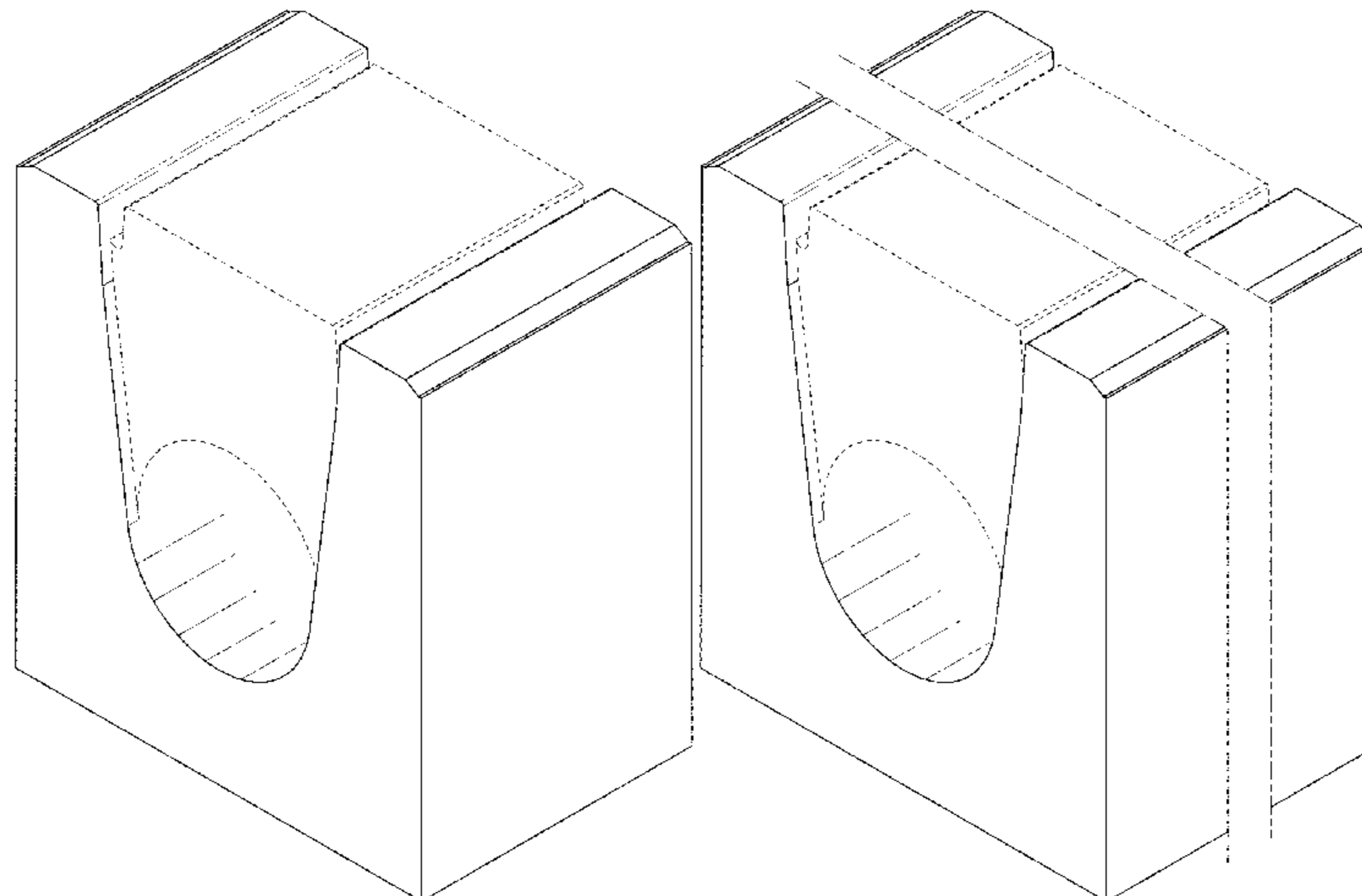
FIG. 12 is a second side view of FIG. 8;

FIG. 13 is a top view of FIG. 8; and,

FIG. 14 is a bottom view of FIG. 8.

The dash-dash-dash broken lines in the Figures are for the purpose of illustrating unclaimed portions of the drainage component and form no part of the claimed design. The second embodiment of the drainage component is shown with a symbolic break in a length of the design, the symbolic break indicated by dash-dot-dash lines that form no part of the claimed design. The appearance of any portion of the

(Continued)



drainage component between the dash-dot-dash break lines forms no part of the claimed design.

1 Claim, 14 Drawing Sheets

Related U.S. Application Data

a division of application No. 29/592,221, filed on Jan. 27, 2017, now Pat. No. Des. 834,216.

(58) Field of Classification Search

CPC E04B 2/14; E04B 2/44; E04B 2/52; E04B 2002/0206; E04B 2002/0232; E04C 2/041
See application file for complete search history.

(56) References Cited

U.S. PATENT DOCUMENTS

3,168,828 A * 2/1965 Taylor G01F 15/18
73/201
D219,271 S * 11/1970 Muse D25/117
D224,890 S * 10/1972 Muse D25/117
D225,006 S * 10/1972 Muse D25/117
3,855,752 A * 12/1974 Aylon E04B 2/52
52/605
3,890,751 A * 6/1975 Caputo E02D 27/42
52/166

D399,577 S * 10/1998 Scales D25/115
5,855,102 A * 1/1999 Chang E04B 2/44
52/309.1
D429,346 S * 8/2000 Martin, Jr. D25/117
D464,442 S * 10/2002 Clark D25/116
D482,800 S * 11/2003 Dice D25/115
D482,801 S * 11/2003 Dice D25/115
D555,810 S * 11/2007 Strand D25/118
D834,216 S * 11/2018 Hawes D25/114
D844,858 S * 4/2019 Hawes D25/114
2005/0252145 A1* 11/2005 MacDonald E04B 2/16
52/606

FOREIGN PATENT DOCUMENTS

DE 20119104 U1 3/2002
DE 202007005430 U1 6/2007
DE 202009017312 U1 3/2010
DE 202012004032 U 7/2012
FR 2500513 A1 8/1982
GB 2231904 A 11/1990
GB 2351992 A 1/2001
GB 2564483 A 1/2019
JP H07238585 A 9/1995
JP 2000129767 A 5/2000
KR 1020110059303 A 6/2011
KR 1020130074721 7/2013
KR 1020150047172 A 5/2015
WO 2016011778 A1 7/2016

* cited by examiner

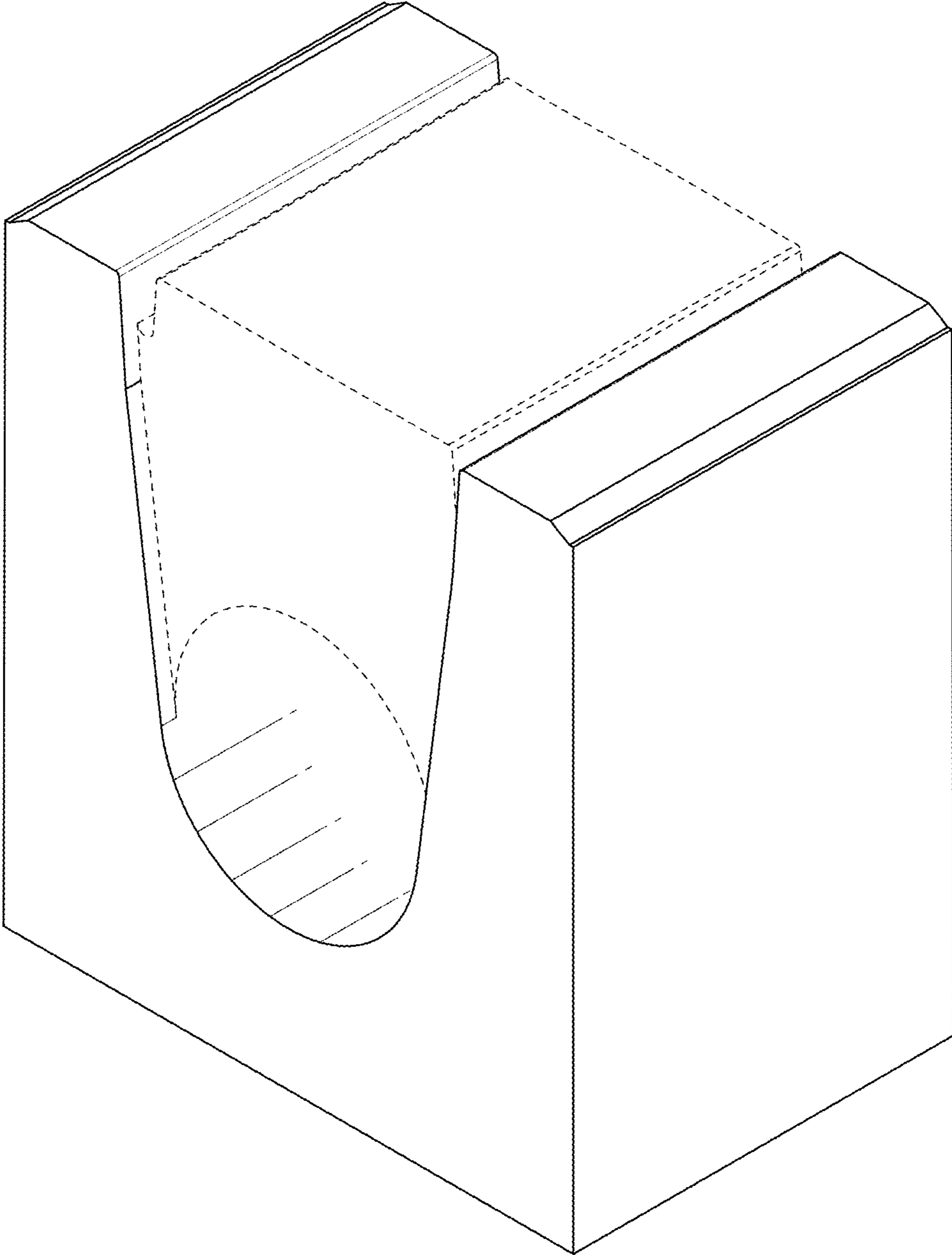


FIG. 1

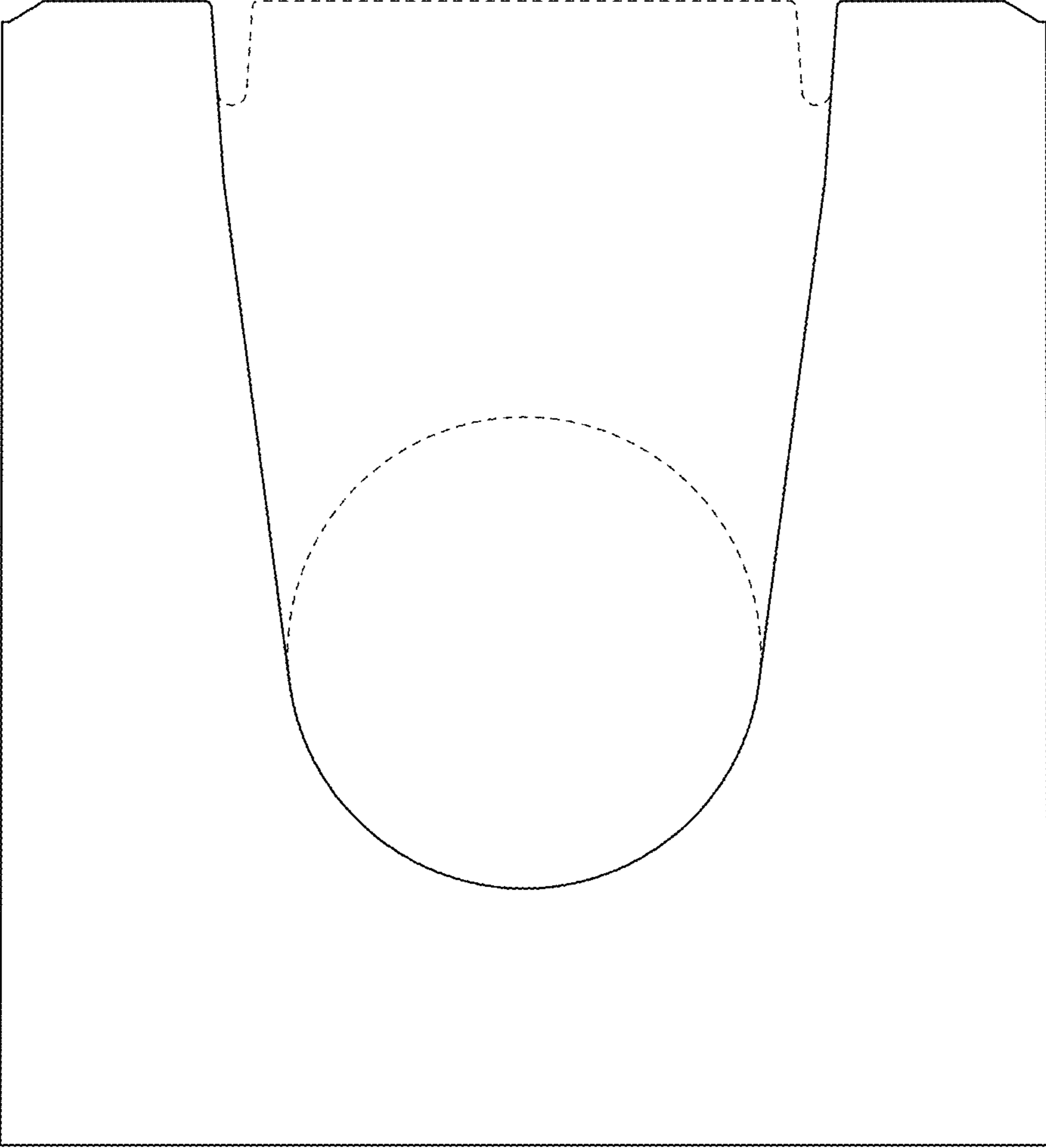


FIG. 2

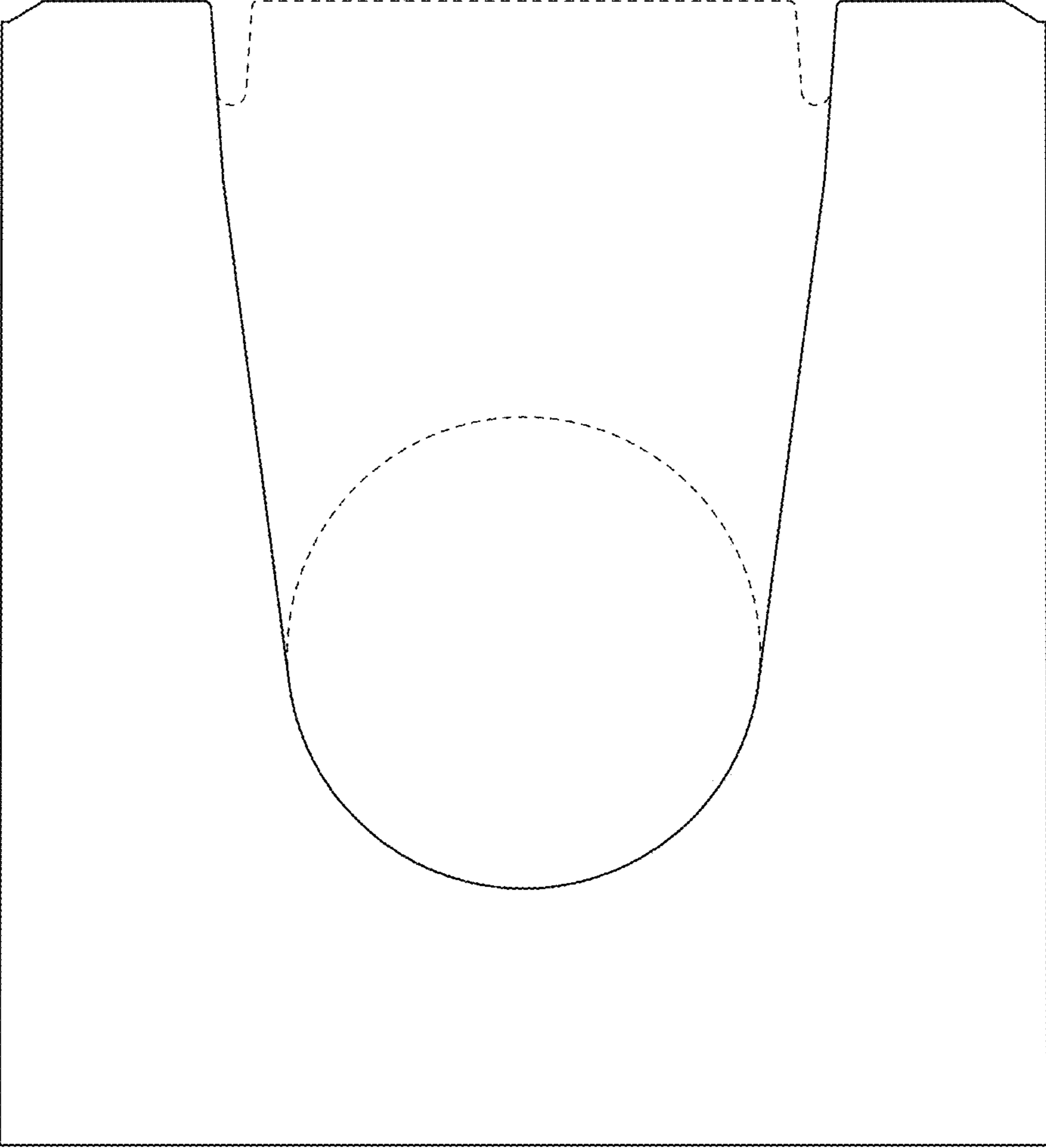


FIG. 3

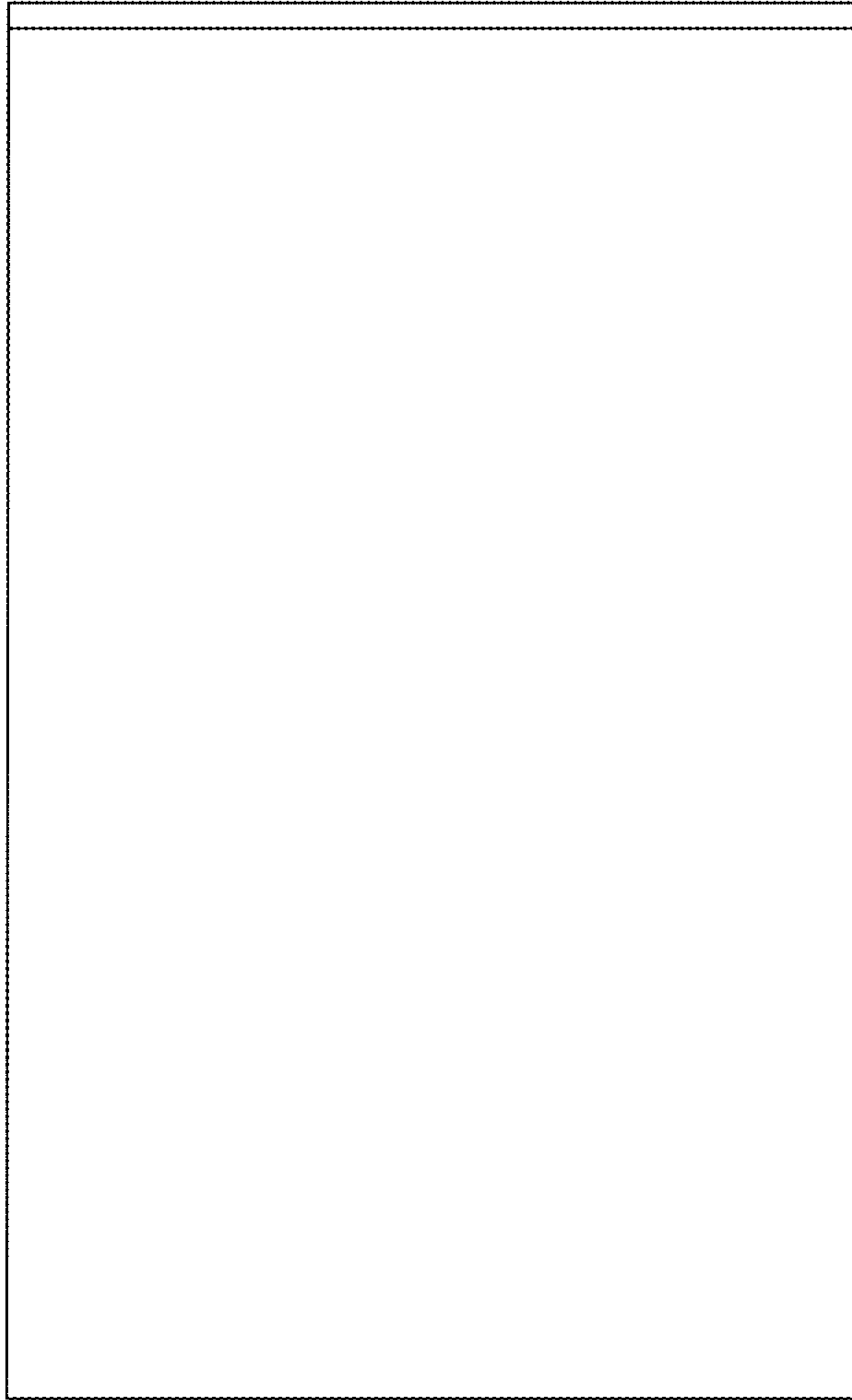


FIG. 4

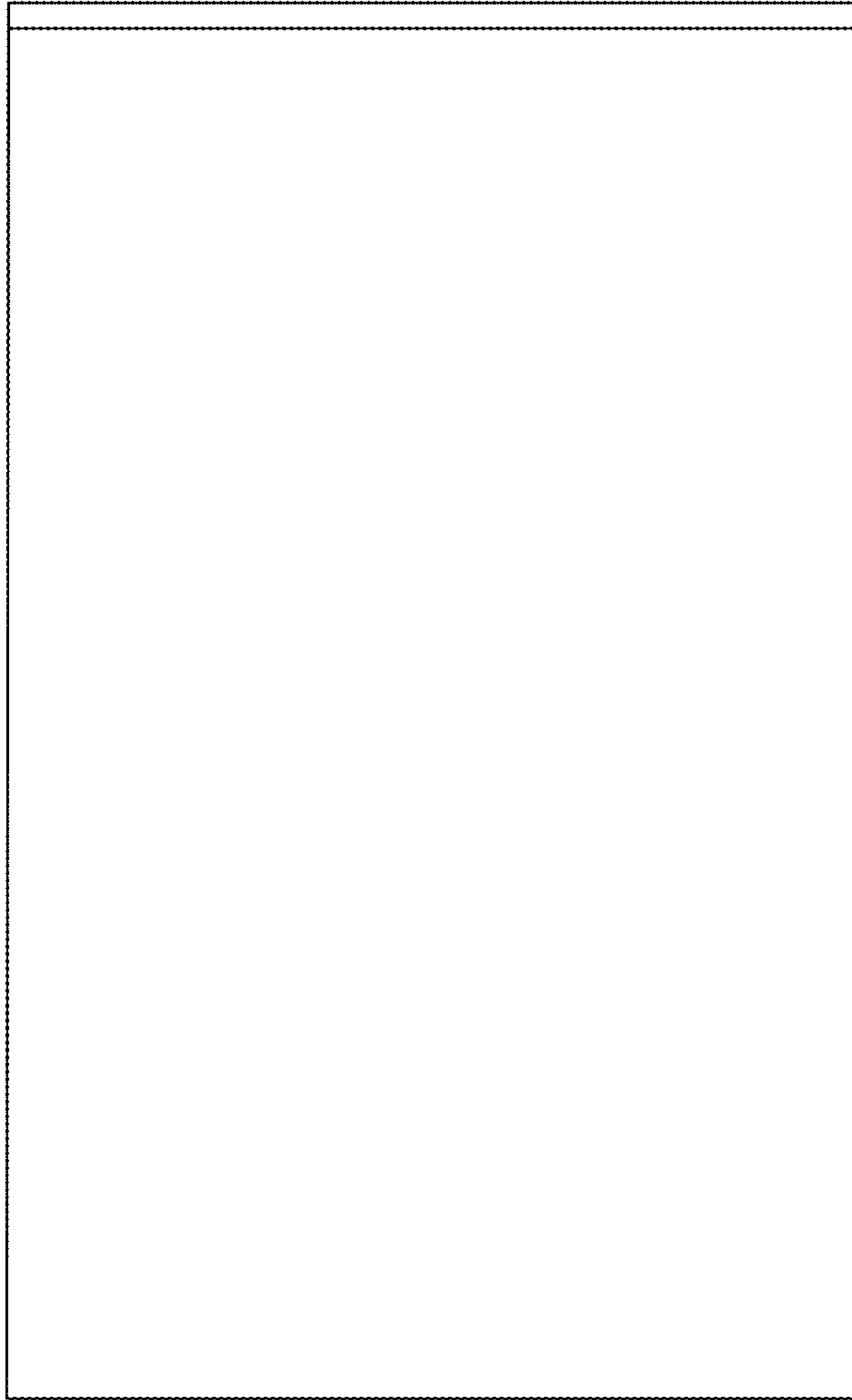


FIG. 5

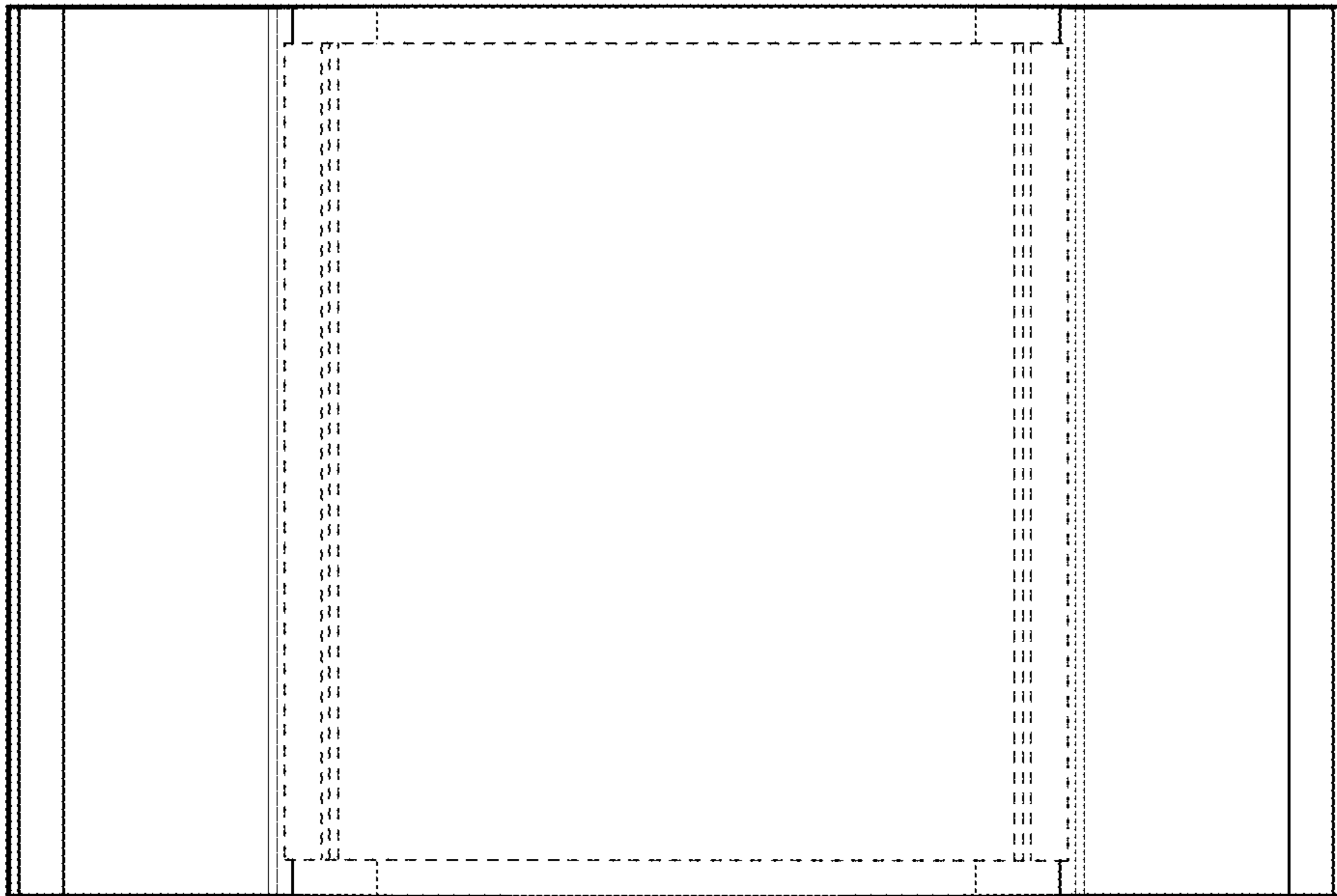


FIG. 6

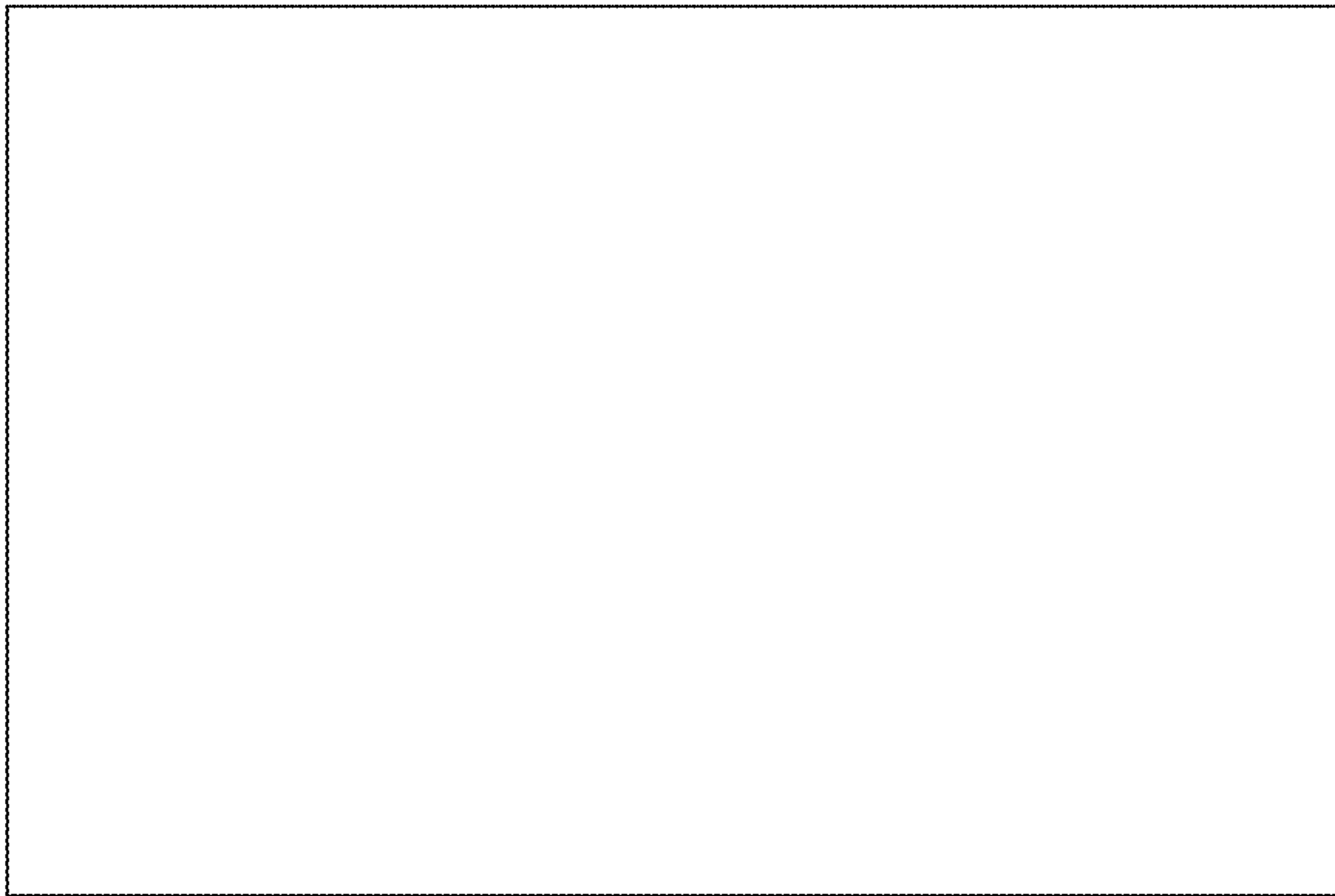


FIG. 7

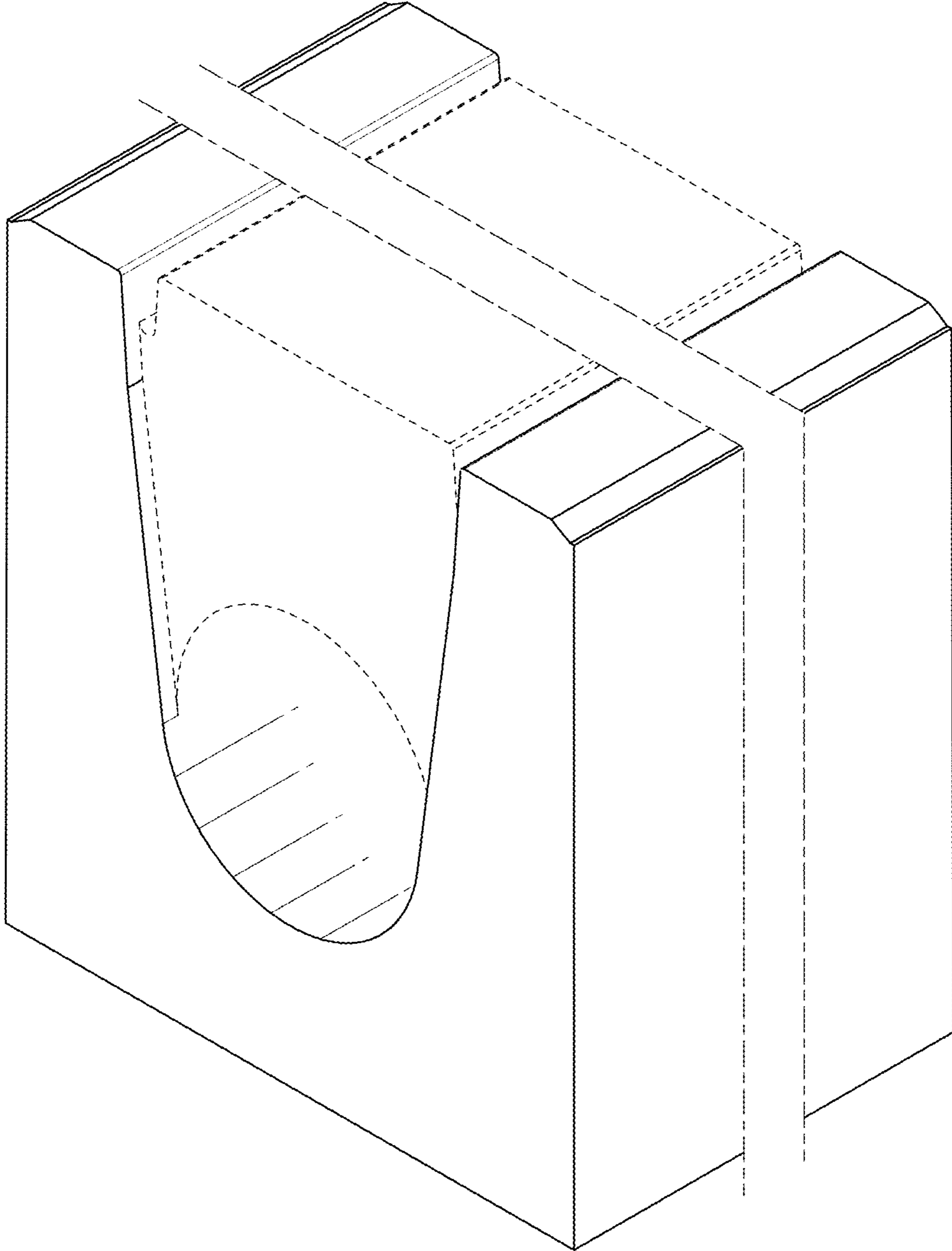


FIG. 8

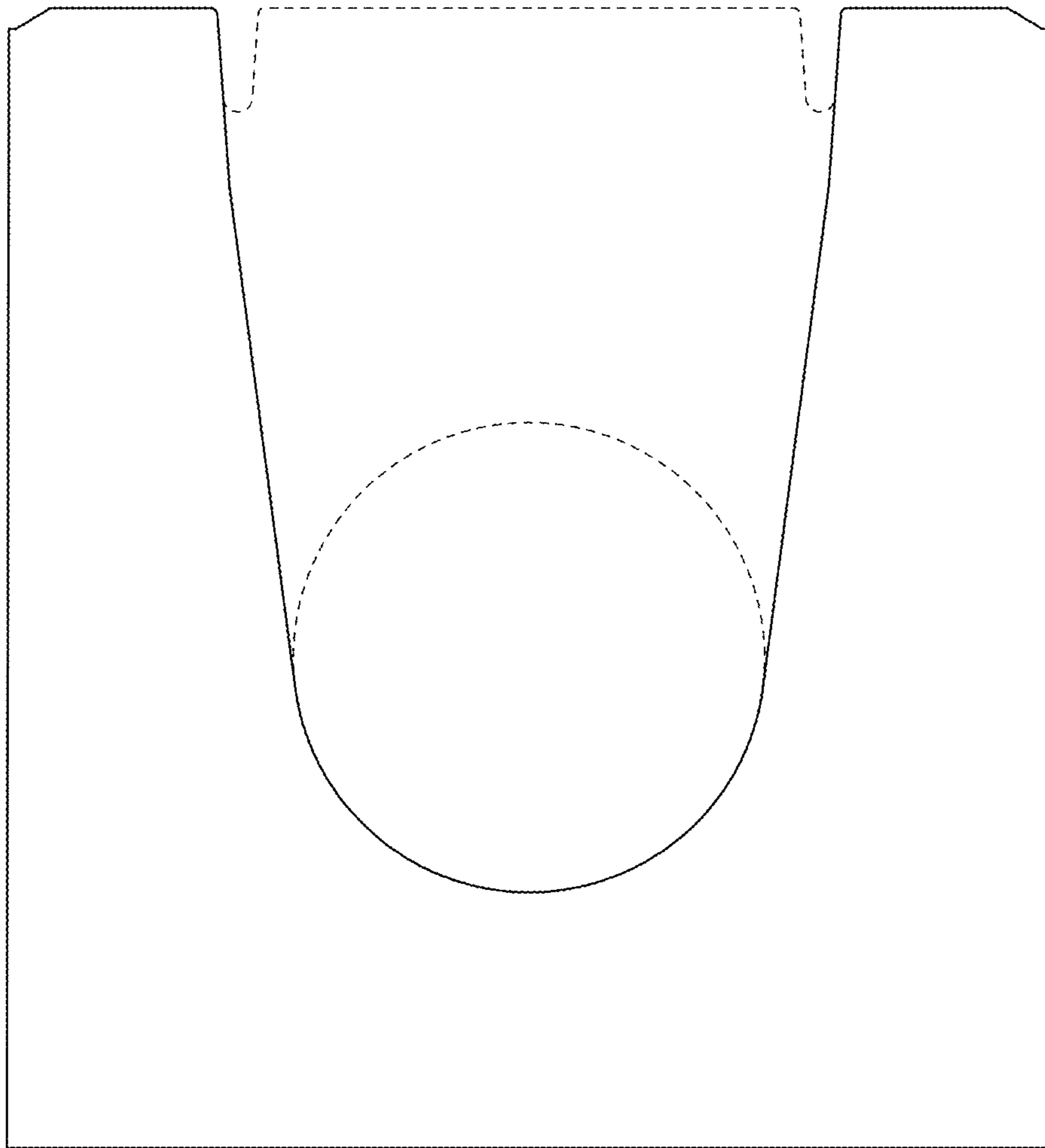


FIG. 9

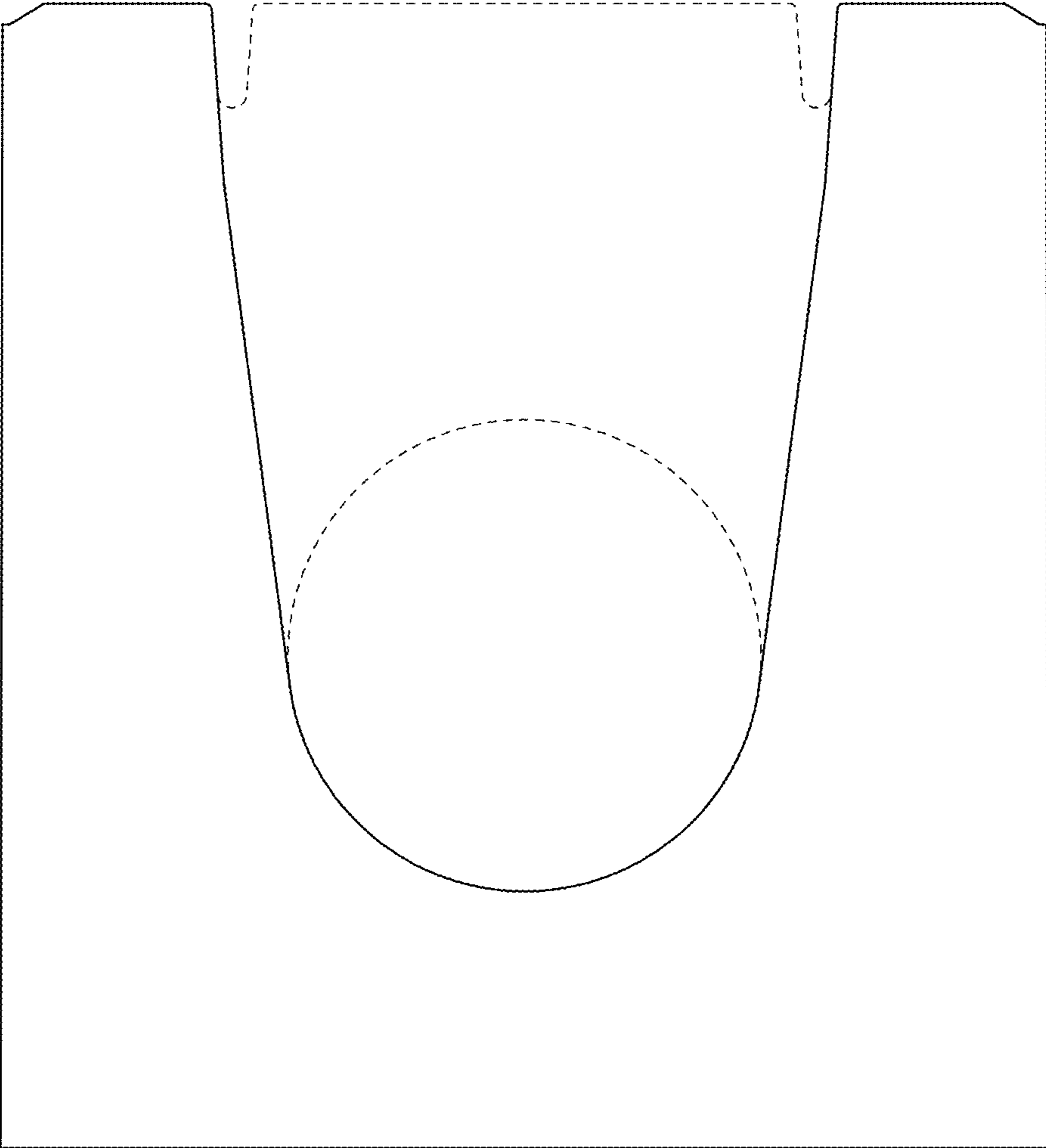


FIG. 10

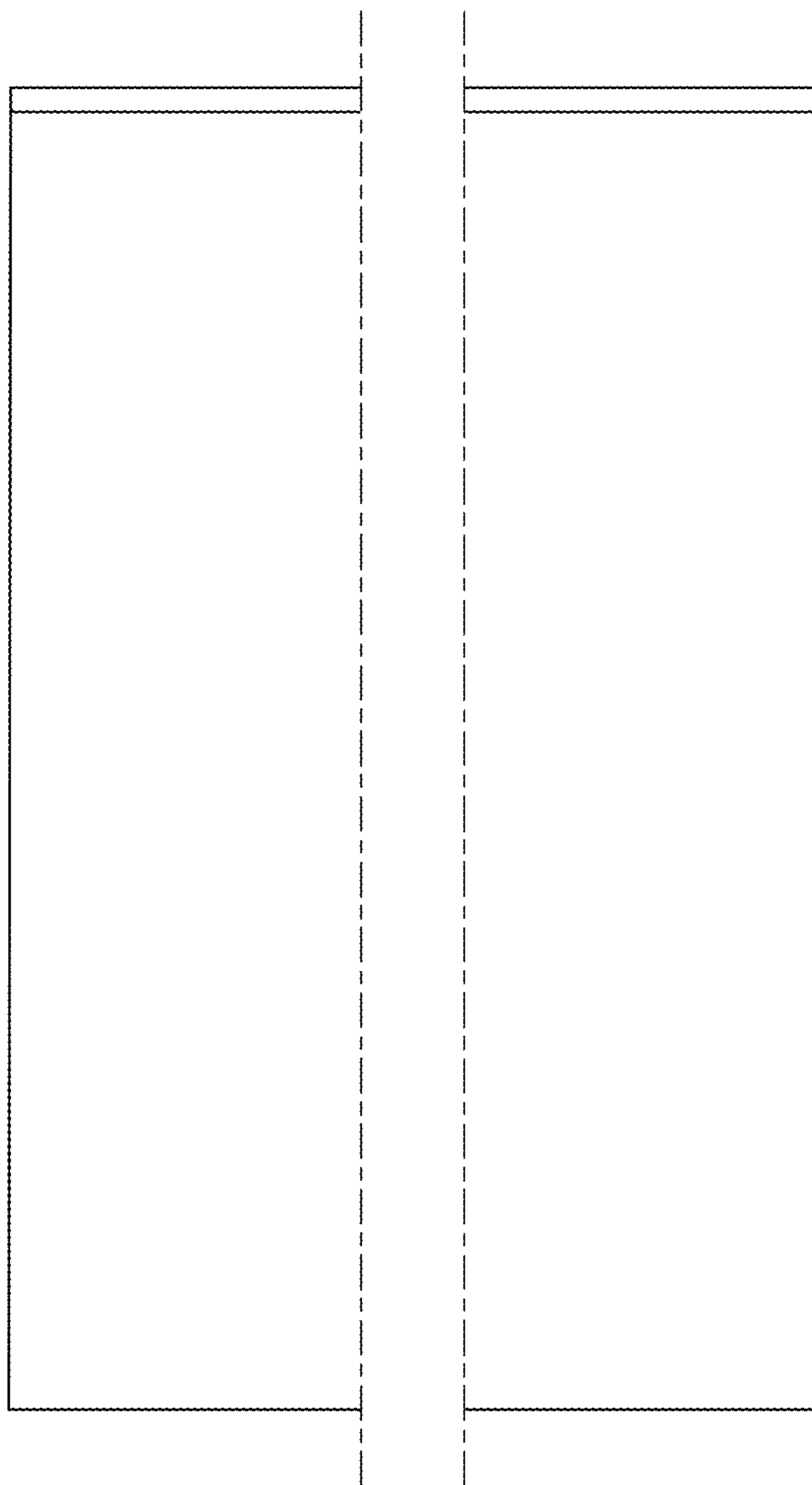


FIG. 11

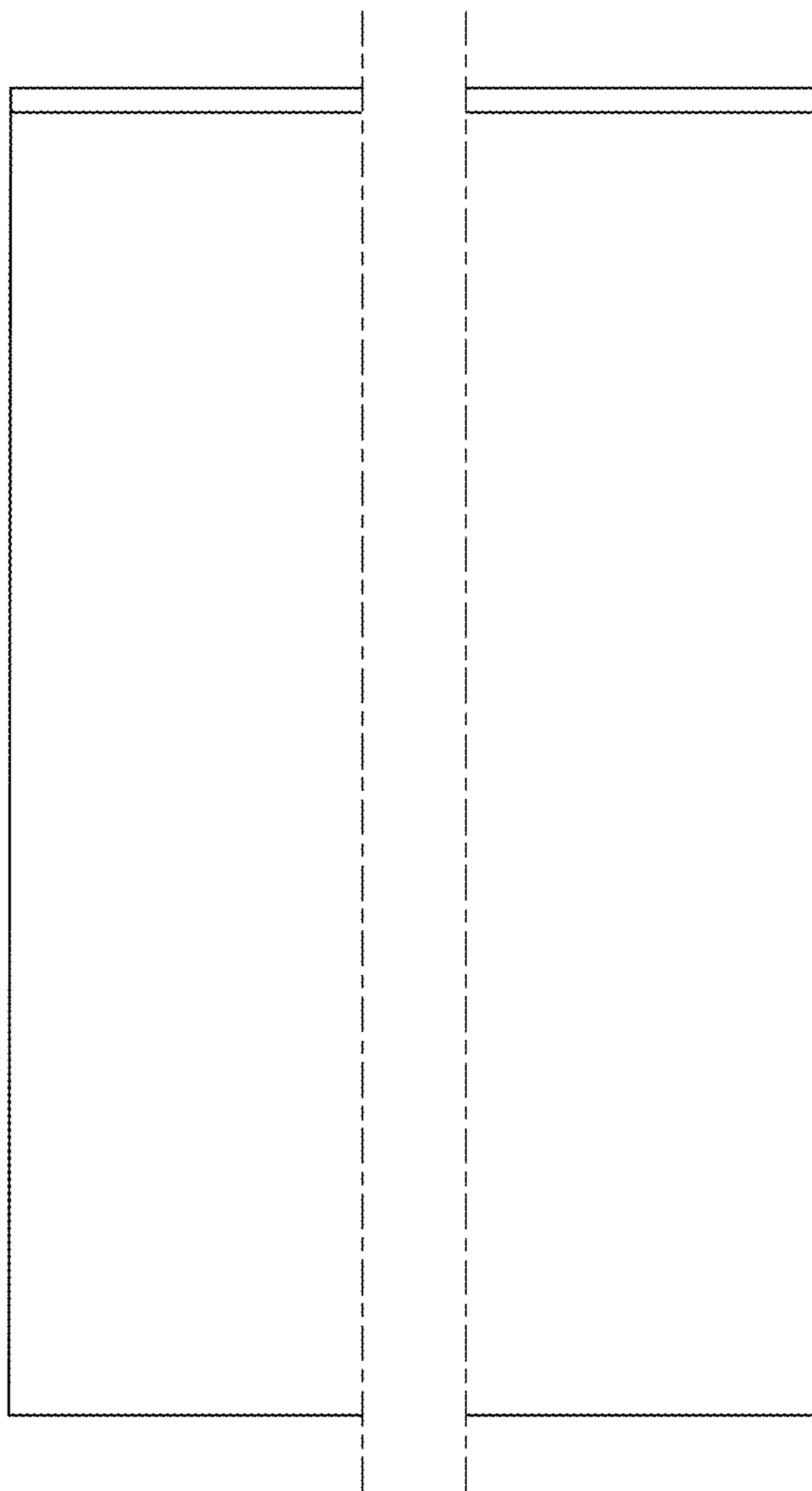


FIG. 12

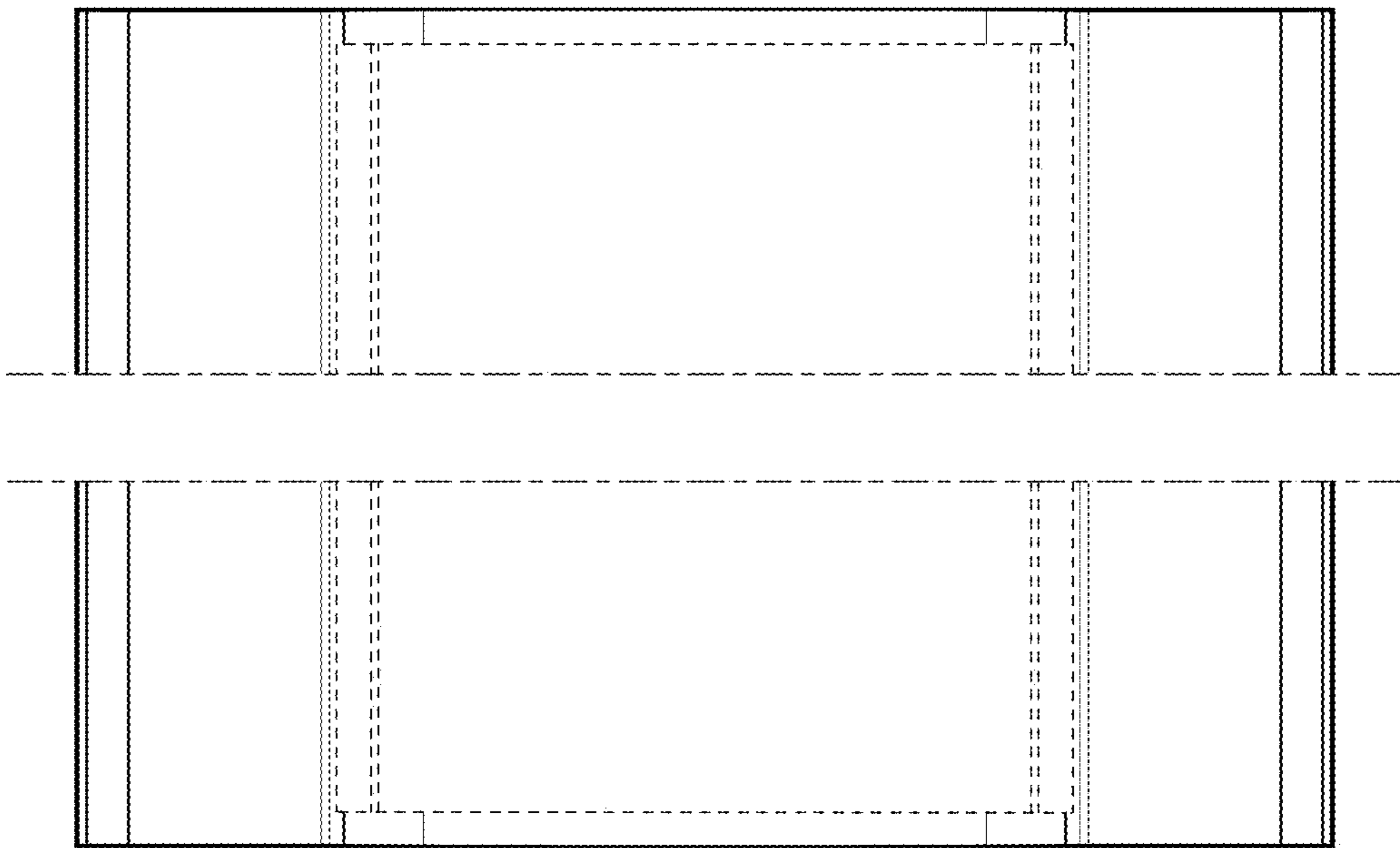


FIG. 13

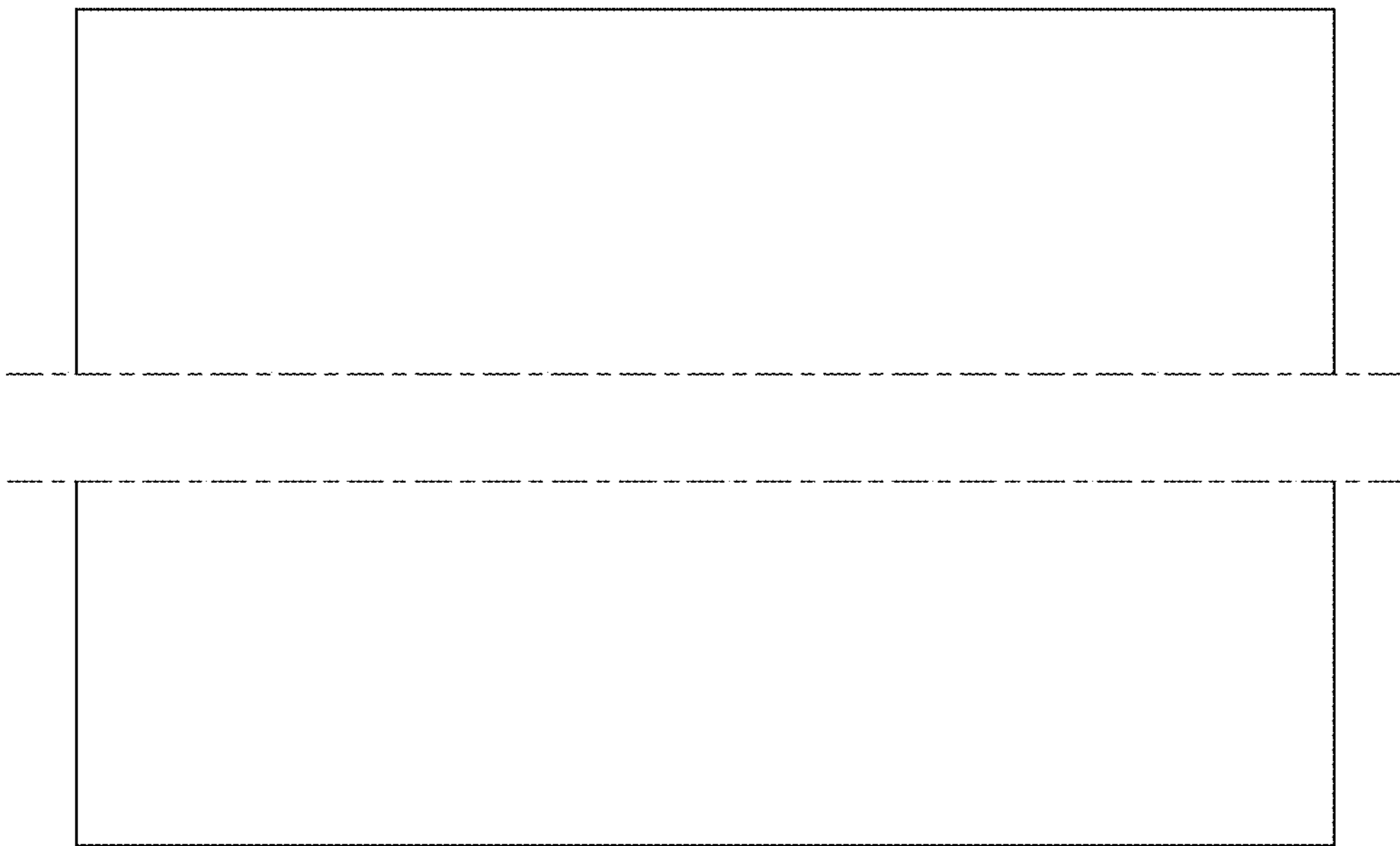


FIG. 14