



US00D870920S

(12) **United States Design Patent**
Rohden

(10) **Patent No.:** **US D870,920 S**

(45) **Date of Patent:** **** Dec. 24, 2019**

(54) **PANEL**

(71) Applicant: **ROHDEN DOORS USA CORP**, Boca Raton, FL (US)

(72) Inventor: **Flávio Kennedy Rohden**, Santa Catarina (BR)

(73) Assignee: **ROHDEN DOORS USA CORP**, Boca Raton, FL (US)

(**) Term: **15 Years**

(21) Appl. No.: **29/577,431**

(22) Filed: **Sep. 13, 2016**

(51) **LOC (12) Cl.** **25-02**

(52) **U.S. Cl.**
USPC **D25/48.3**

(58) **Field of Classification Search**
USPC D25/48.3, 138, 152, 157; 52/455, 784.1;
454/195, 212, 277; D19/59, 64
See application file for complete search history.

(56) **References Cited**

U.S. PATENT DOCUMENTS

317,797	A *	5/1885	Keller	E06B 9/0638
					160/33
1,467,330	A *	9/1923	Ladue	E06B 7/082
					160/104
1,735,430	A *	11/1929	Giraud	E06B 7/082
					454/195
1,939,312	A *	12/1933	Murray	E06B 7/082
					454/195
2,142,821	A *	1/1939	Larson	F24F 7/00
					454/277
2,422,085	A *	6/1947	Etling	E06B 7/082
					160/104

(Continued)

OTHER PUBLICATIONS

Arquivos Primed Doors—Rohden Doors (on-line), no date available. Retrieved from Internet Oct. 2, 2019, URL: <http://rohdendoors.com/en/category/primed-doors/#modal-door-4> (1 page).*

(Continued)

Primary Examiner — Kevin K Rudzinski

Assistant Examiner — Kimberly Barnes

(74) *Attorney, Agent, or Firm* — Moore & Van Allen PLLC; Nicholas C. Russell

(57) **CLAIM**

The ornamental design for a panel, as shown and described.

DESCRIPTION

FIG. 1 is a perspective view of a panel, showing my new design;

FIG. 2 is an enlarged detail of the circumscribed area 2 of the panel of FIG. 1;

FIG. 3 is a front view of the panel of FIG. 1;

FIG. 4 is a back view of the panel of FIG. 1;

FIG. 5 is a cross sectional view taken along line 5-5 in FIG. 3;

FIG. 6 is a right side view of the panel of FIG. 1;

FIG. 7 is a left side view of the panel of FIG. 1;

FIG. 8 is a top view of the panel of FIG. 1; and,

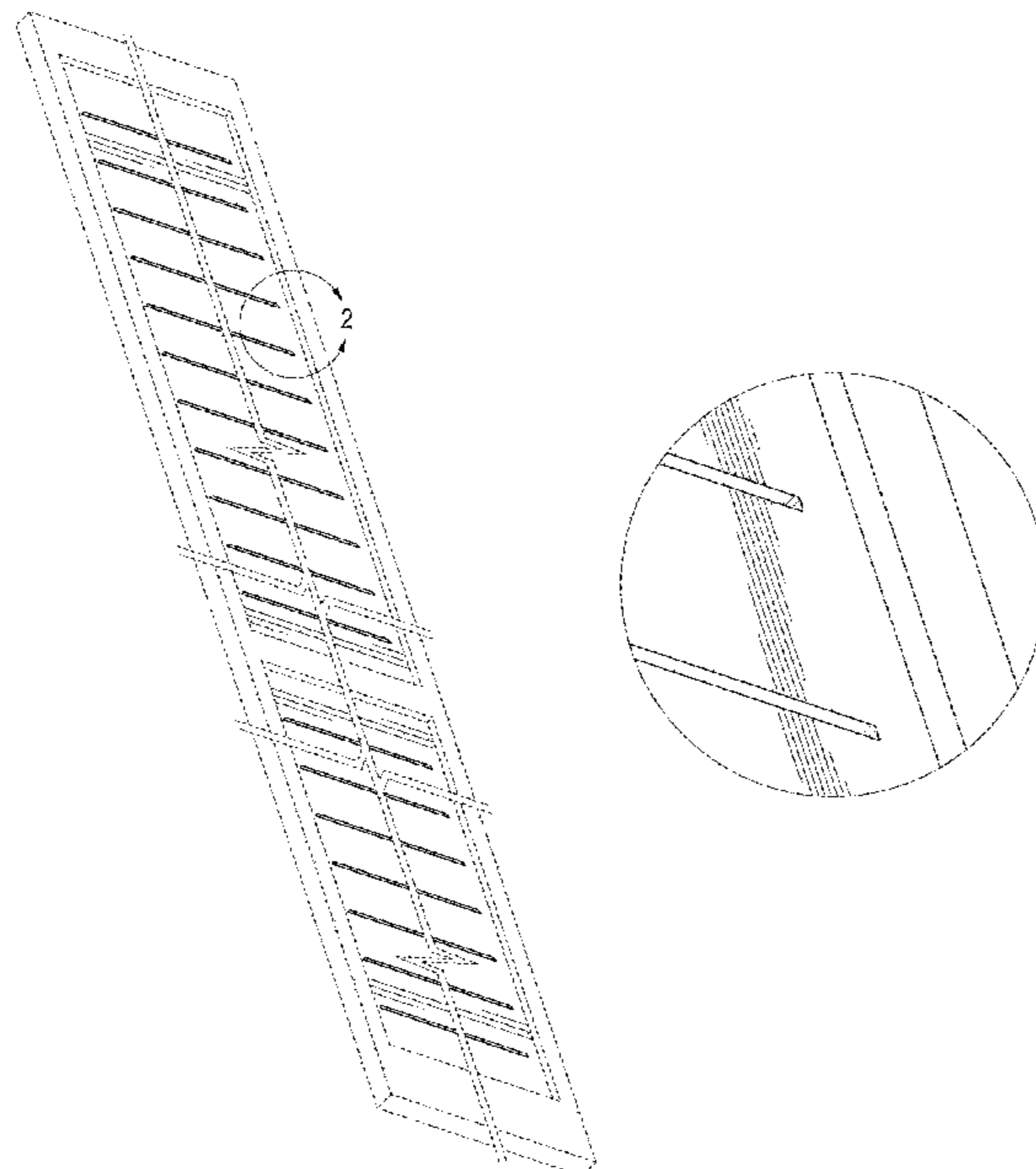
FIG. 9 is a bottom view of the panel of FIG. 1;

The broken lines in the drawings depict portions of the panel that form no part of the claimed design.

The panel is shown with symbolic breaks in its length and width. The appearance of any portion of the article between the break lines forms no part of the claimed design.

With respect to the perspective, front, and back views as seen in FIGS. 1-4, all surfaces between the solid lines and broken lines form a part of the claimed design.

1 Claim, 4 Drawing Sheets



(56)

References Cited

U.S. PATENT DOCUMENTS

2,506,469 A * 5/1950 Ronas E06B 7/02
454/212
2,602,390 A * 7/1952 Whissel E06B 7/084
454/212
5,120,273 A * 6/1992 Lin E06B 7/02
454/195
D501,563 S * 2/2005 Miller D25/48.4
D581,059 S * 11/2008 Colston D25/48.3
8,662,971 B2 * 3/2014 Warner E06B 7/08
454/195
D750,811 S * 3/2016 Peters D25/158
D761,972 S * 7/2016 Kahlig D25/138
D804,644 S * 12/2017 Krob, Jr. D23/397
D837,407 S * 1/2019 Cox D25/48.3
2009/0071095 A1 * 3/2009 Buchwald E06B 7/08
52/745.19

OTHER PUBLICATIONS

Shiplap-Inspired Slotted Flat Panel Bifold Door (on-line), dated Aug. 18, 2018. Retrieved from Internet Oct. 2, 2019, URL: <https://web.archive.org/web/20180818215459/http://summitbpl.com/shiplap-doors/> (2 pages) (Year: 2018).*

* cited by examiner

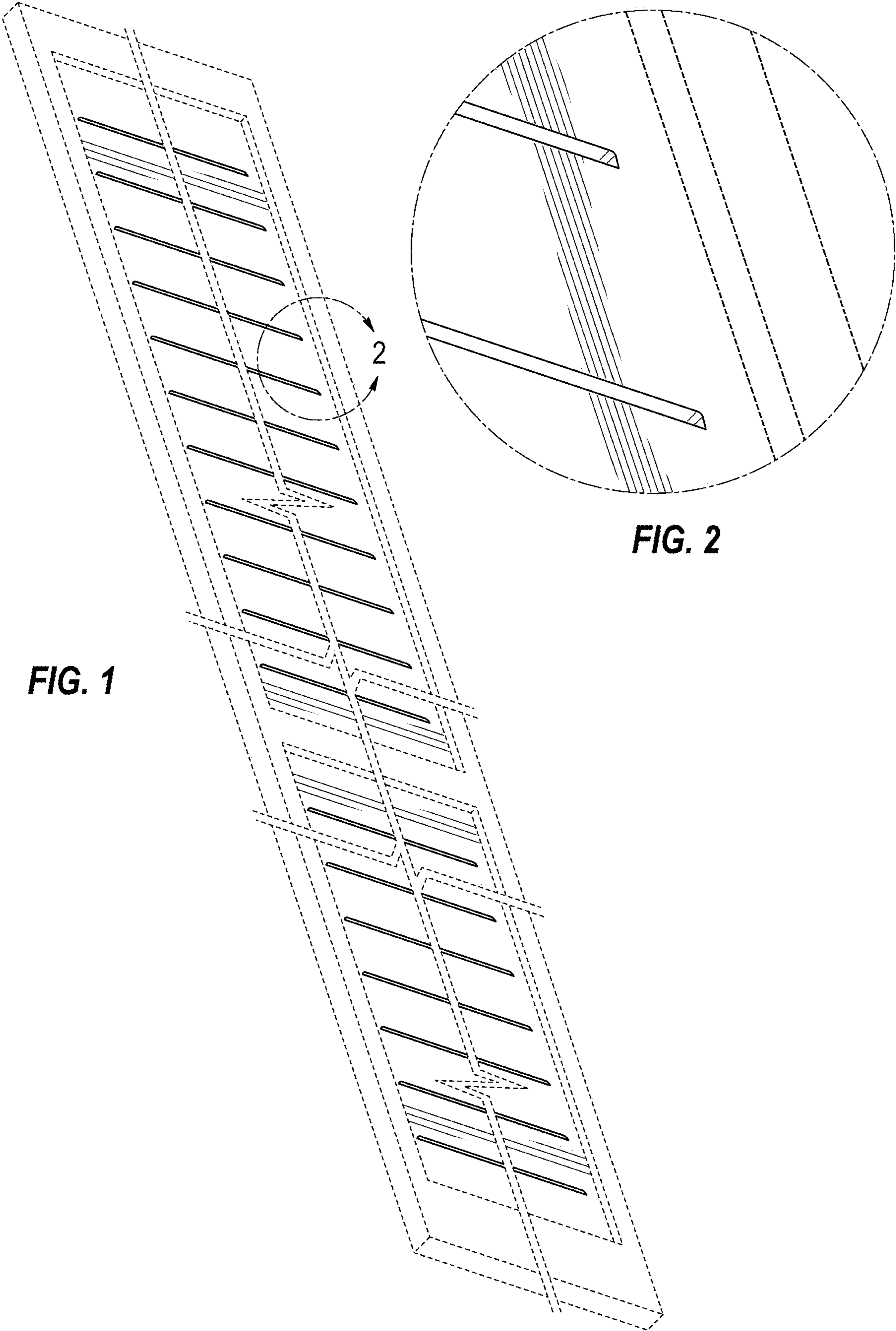


FIG. 1

FIG. 2

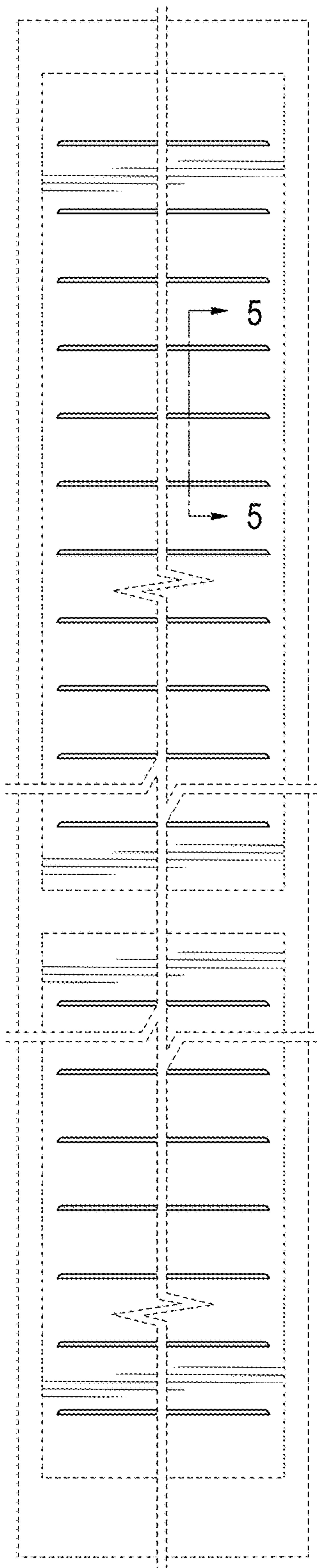


FIG. 3

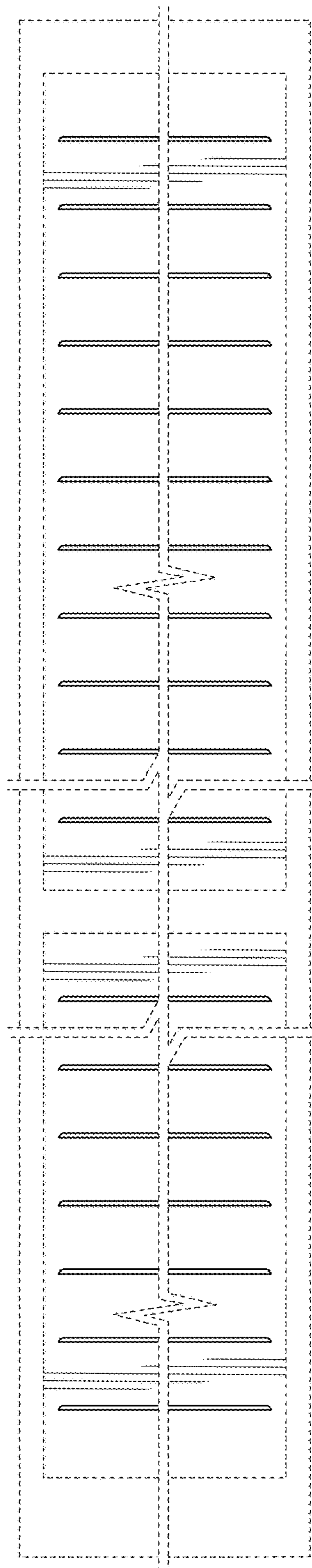


FIG. 4

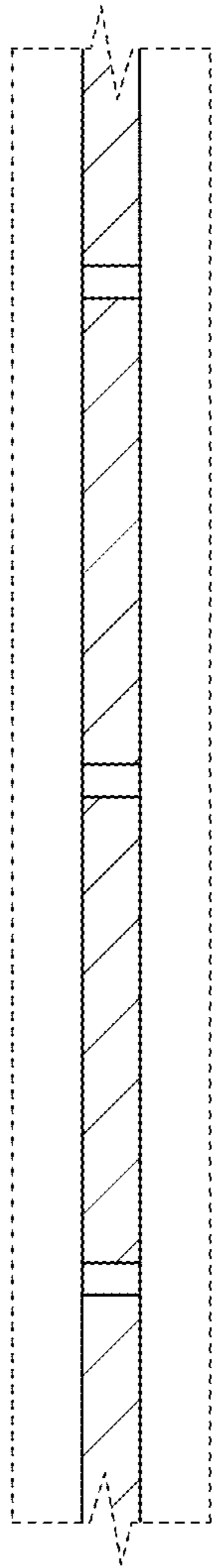


FIG. 5

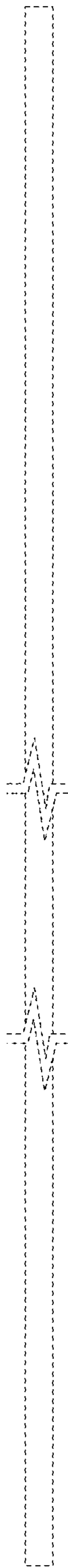


FIG. 6

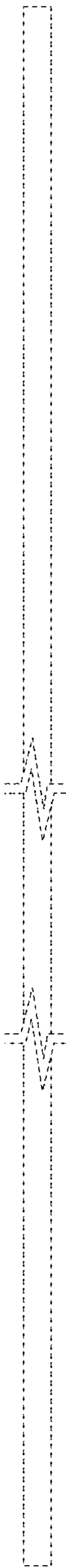


FIG. 7

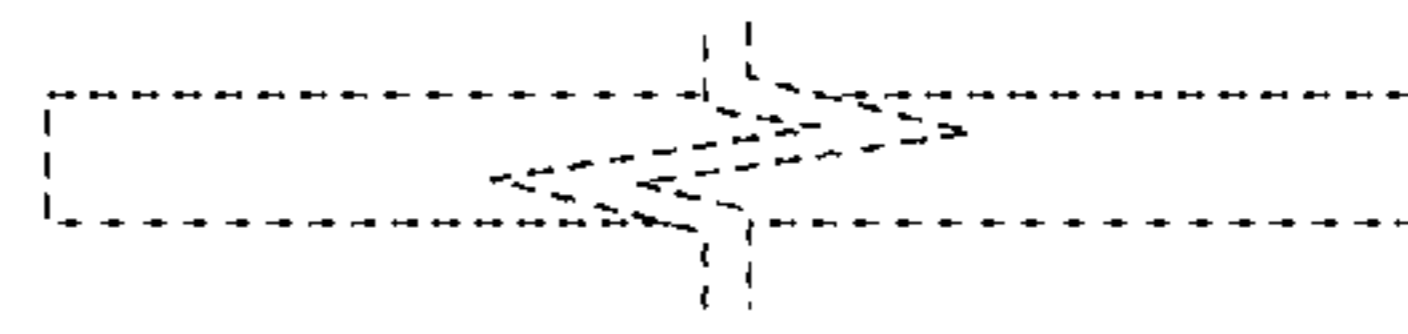


FIG. 8

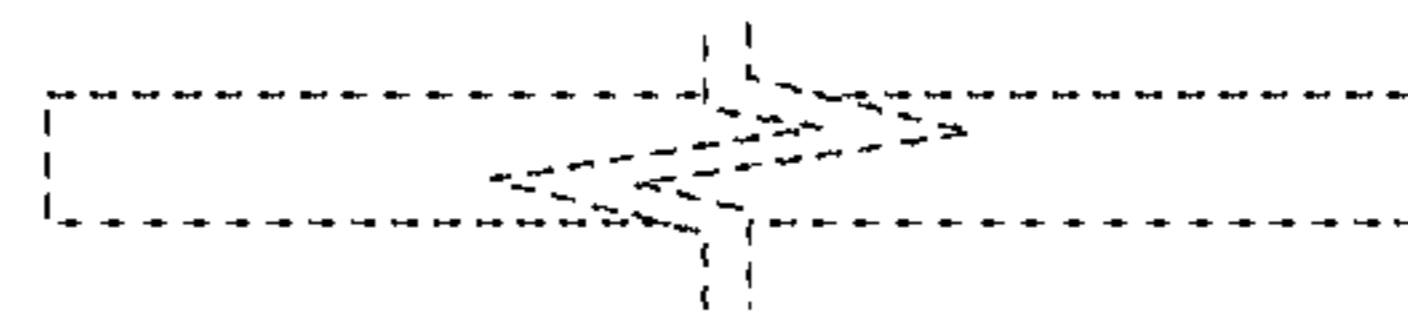


FIG. 9