



US00D870919S

(12) **United States Design Patent**
Fuster et al.

(10) **Patent No.:** **US D870,919 S**

(45) **Date of Patent:** **** Dec. 24, 2019**

(54) **OFF-GRID PREFABRICATED MODULAR SOLAR HOUSE**

(71) Applicants: **Nathaniel Fuster**, San Juan, PR (US);
Heather Crichfield, San Juan, PR (US)

(72) Inventors: **Nathaniel Fuster**, San Juan, PR (US);
Heather Crichfield, San Juan, PR (US)

(**) Term: **15 Years**

(21) Appl. No.: **29/623,671**

(22) Filed: **Oct. 26, 2017**

(51) **LOC (12) Cl.** **25-03**

(52) **U.S. Cl.**
USPC **D25/30**

(58) **Field of Classification Search**
USPC D25/1, 3-35, 55-59, 61; 52/79.1-79.9;
D12/101-106
CPC E04H 1/00-1277; E04H 1/14; E04H
3/00-04; E04H 2001/1283-1294; E04H
6/44; E04H 9/14-16; E04B 1/34823;
E04B 1/3483; E04B 1/3444; E04B
1/3431; E04B 1/343; E04B 1/34869;
E04B 1/34321

See application file for complete search history.

(56) **References Cited**

U.S. PATENT DOCUMENTS

1,363,273 A * 12/1920 Ruff B65D 90/026
D25/30
D115,003 S * 5/1939 Owings D25/18

D510,972 S * 10/2005 Wehner D21/834
D567,962 S * 4/2008 Yeoman D25/33
D728,822 S * 5/2015 Ryan D25/15
2016/0208512 A1 * 7/2016 S ez Blaya E04H 1/005

* cited by examiner

Primary Examiner — Brett Miller

(74) *Attorney, Agent, or Firm* — Eugenio J. Torres-Oyola;
Victor M. Rodriguez-Reyes; Rafael Rodriguez-Muriel

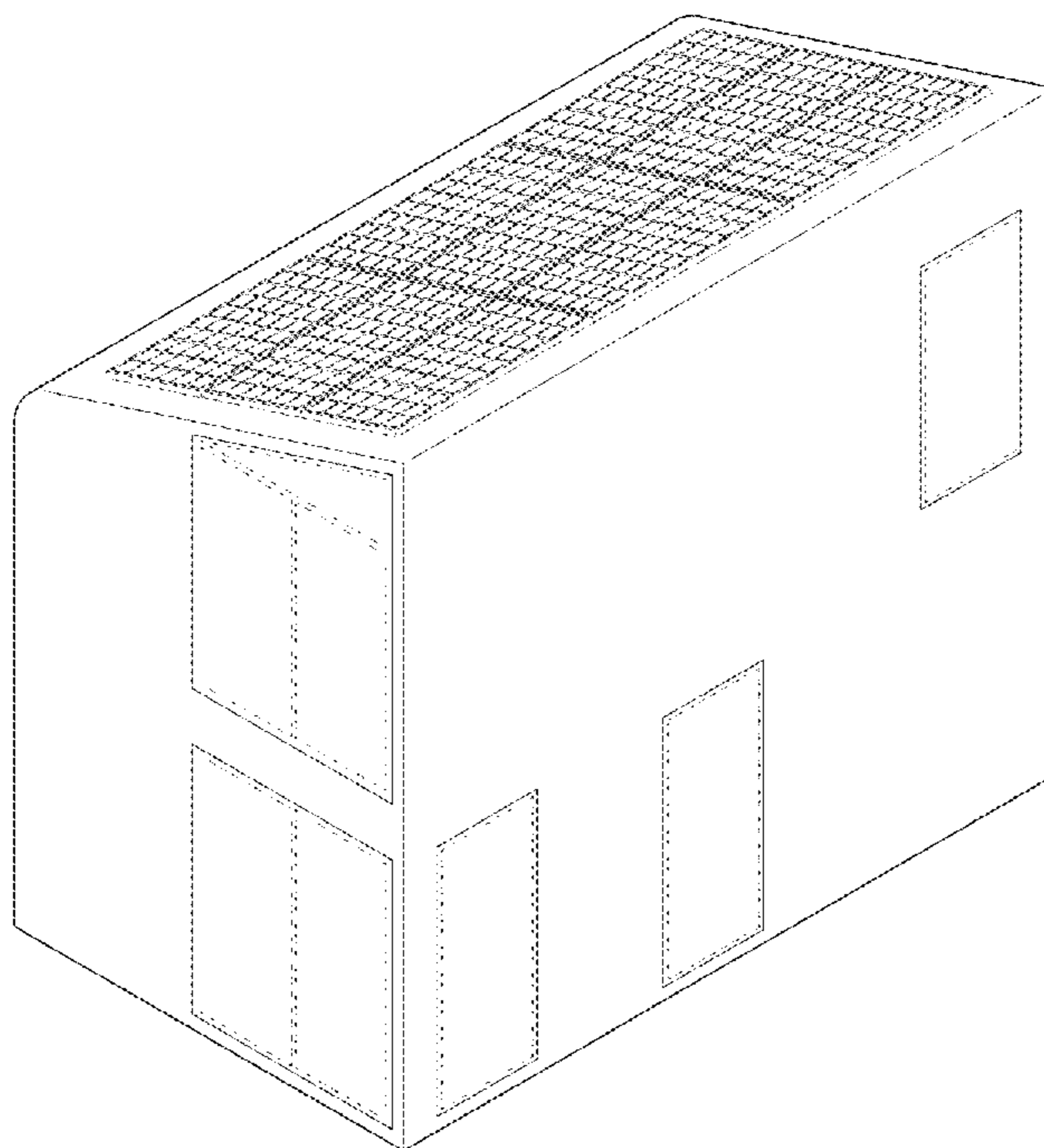
(57) **CLAIM**

The ornamental design for an off-grid prefabricated modular solar house, as shown and described.

DESCRIPTION

FIG. 1 is a perspective view of the off-grid prefabricated modular solar house showing the present design.
FIG. 2 is a perspective view of the off-grid prefabricated modular solar house showing the present design.
FIG. 3 is a perspective view of the off-grid prefabricated modular solar house showing the present design.
FIG. 4 is a perspective view of the off-grid prefabricated modular solar house showing the present design.
FIG. 5 is a rear view of the off-grid prefabricated modular solar house showing the present design.
FIG. 6 is a side view of the off-grid prefabricated modular solar house showing the present design.
FIG. 7 is a front view of the off-grid prefabricated modular solar house showing the present design; and,
FIG. 8 is a side view of the off-grid prefabricated modular solar house showing the present design.
The broken lines shown in the drawings form no part of the claimed design.

1 Claim, 8 Drawing Sheets



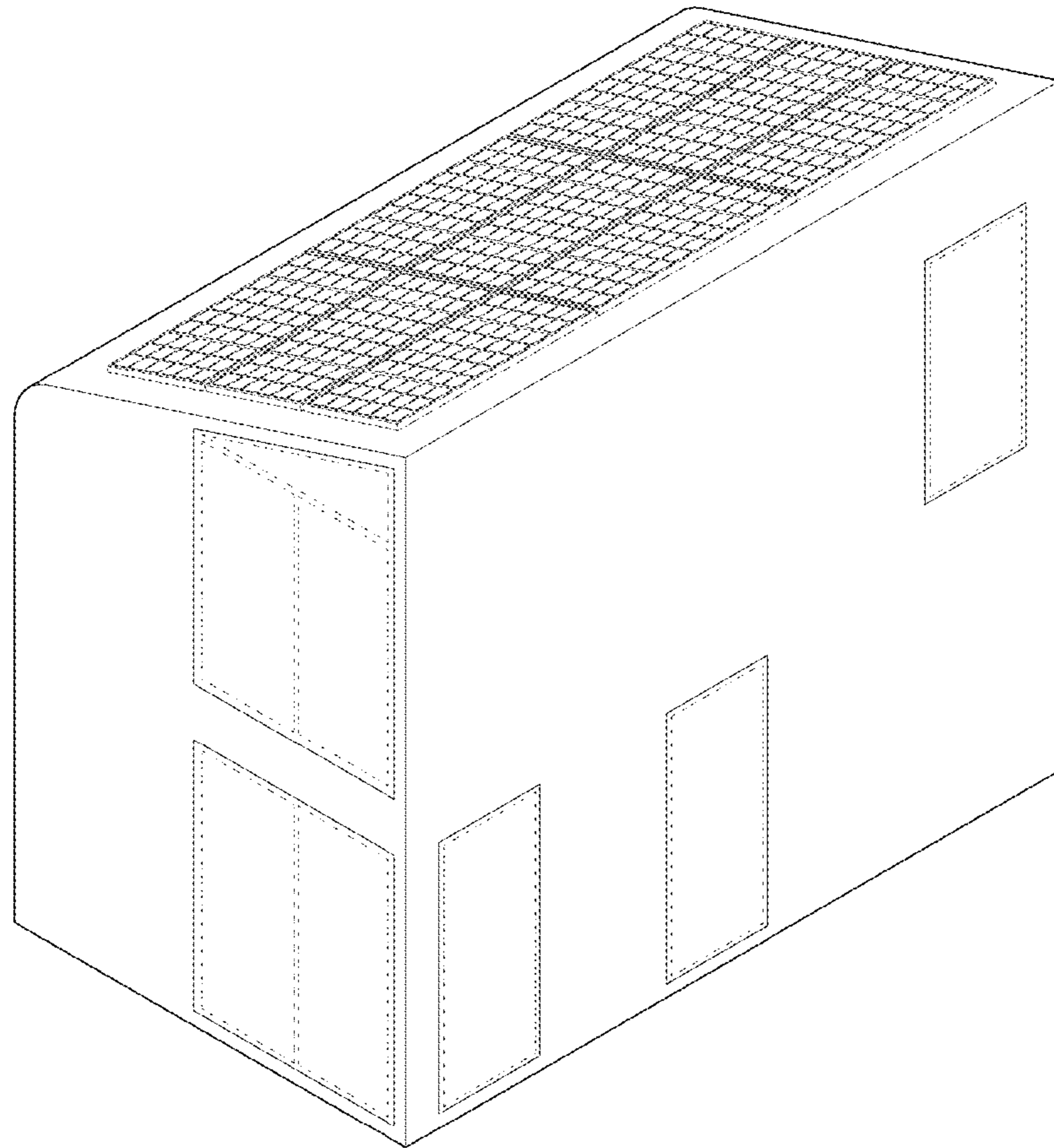


Fig. 1

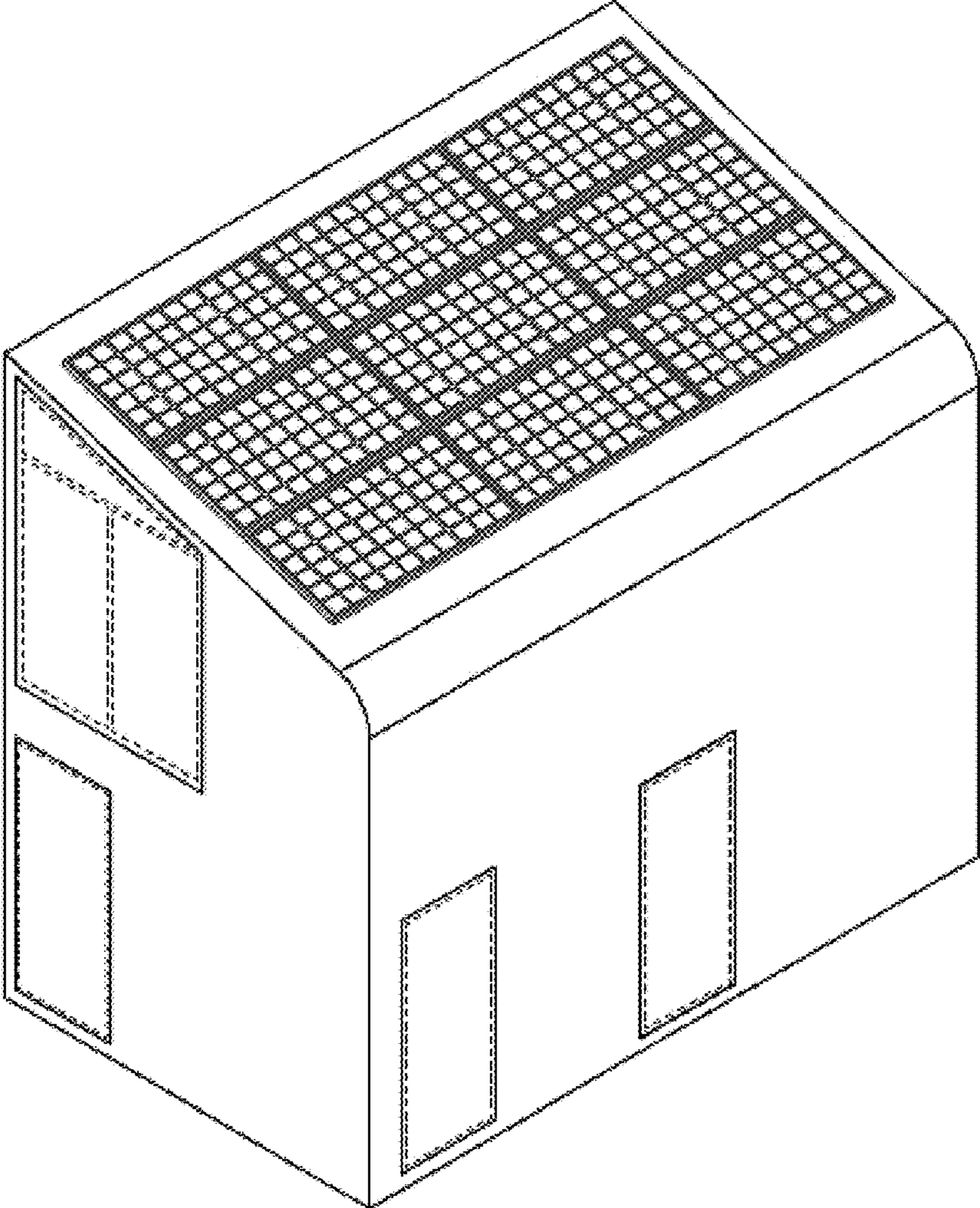


Fig. 2

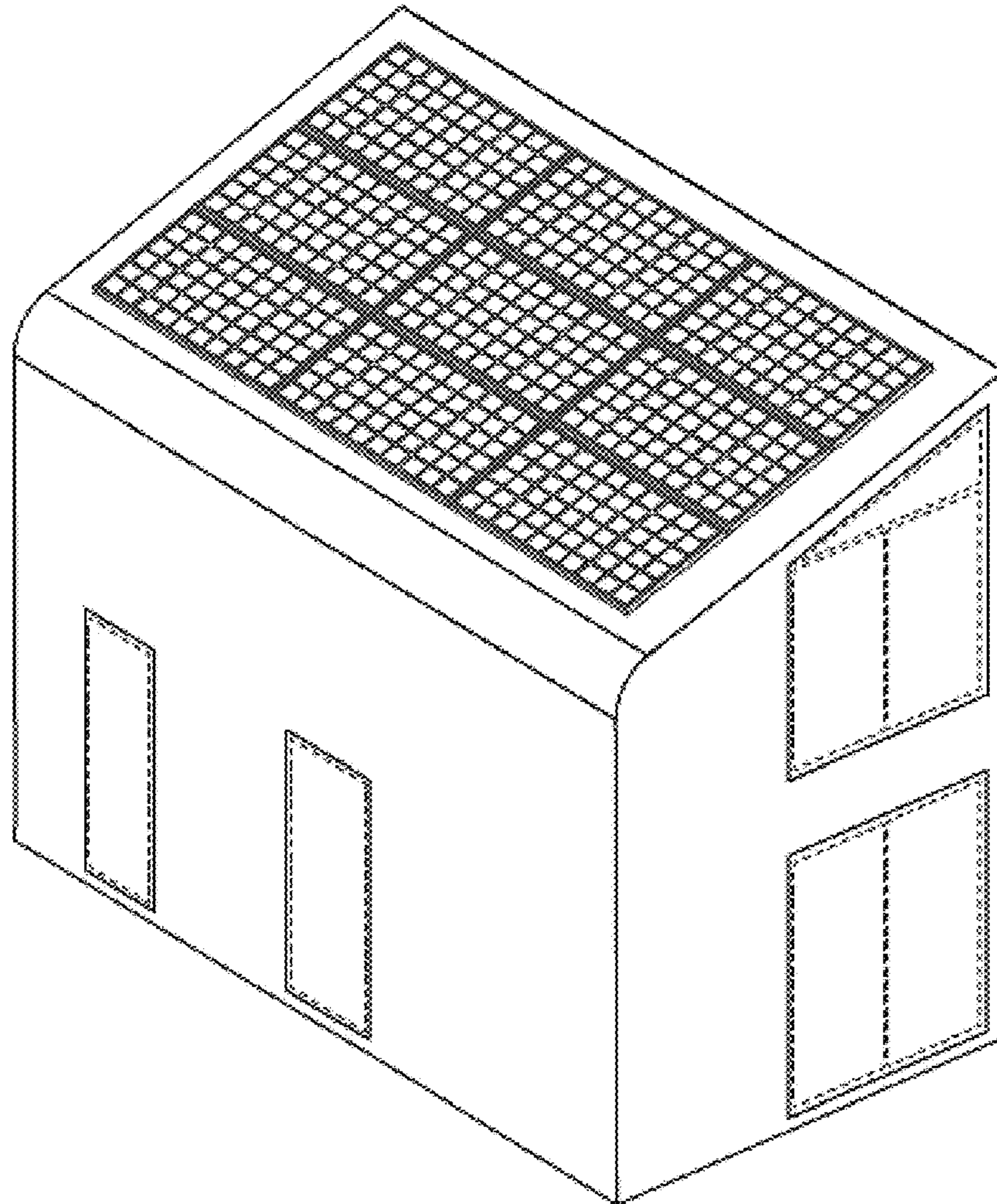


Fig. 3

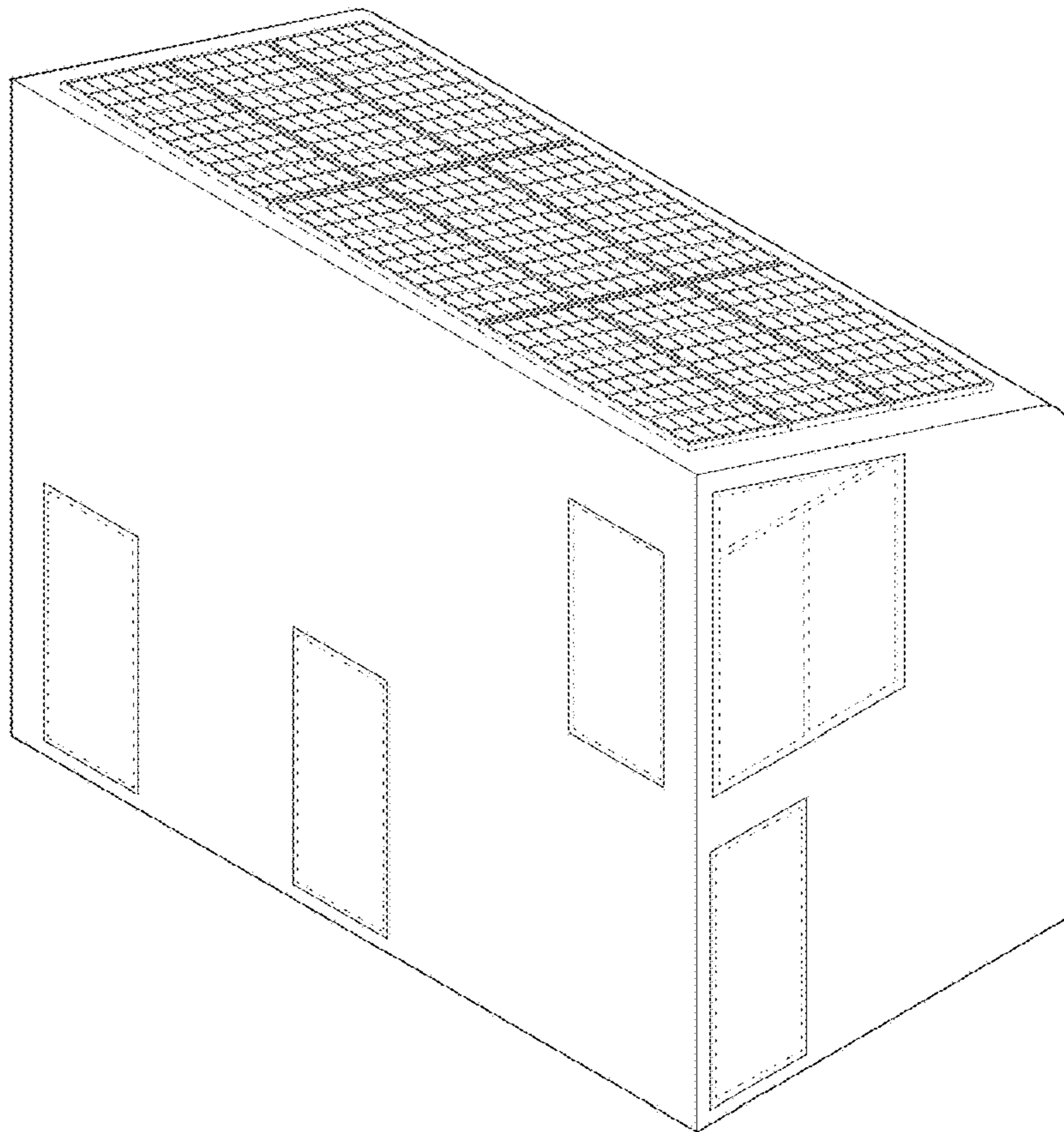


Fig. 4

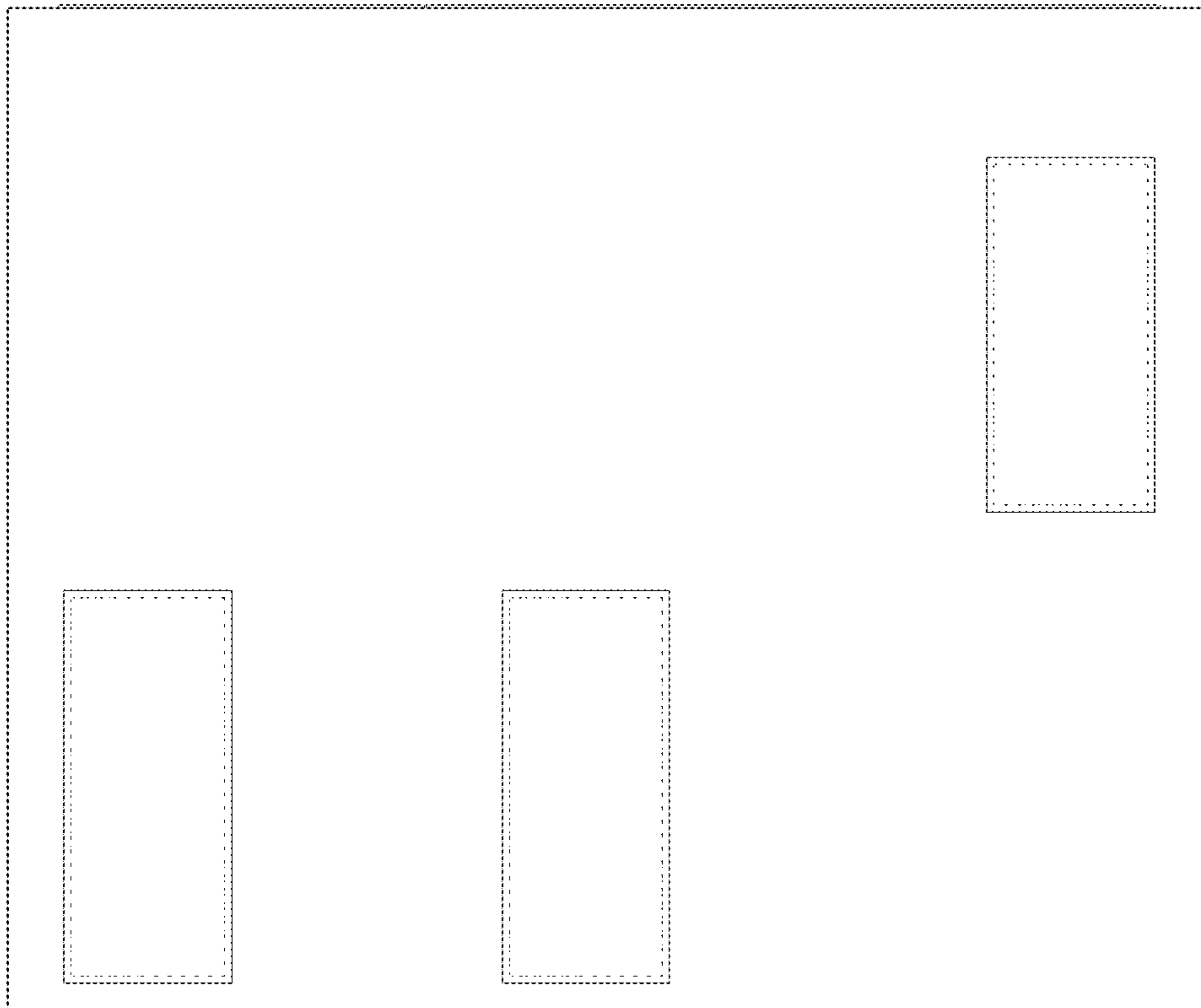


Fig. 5

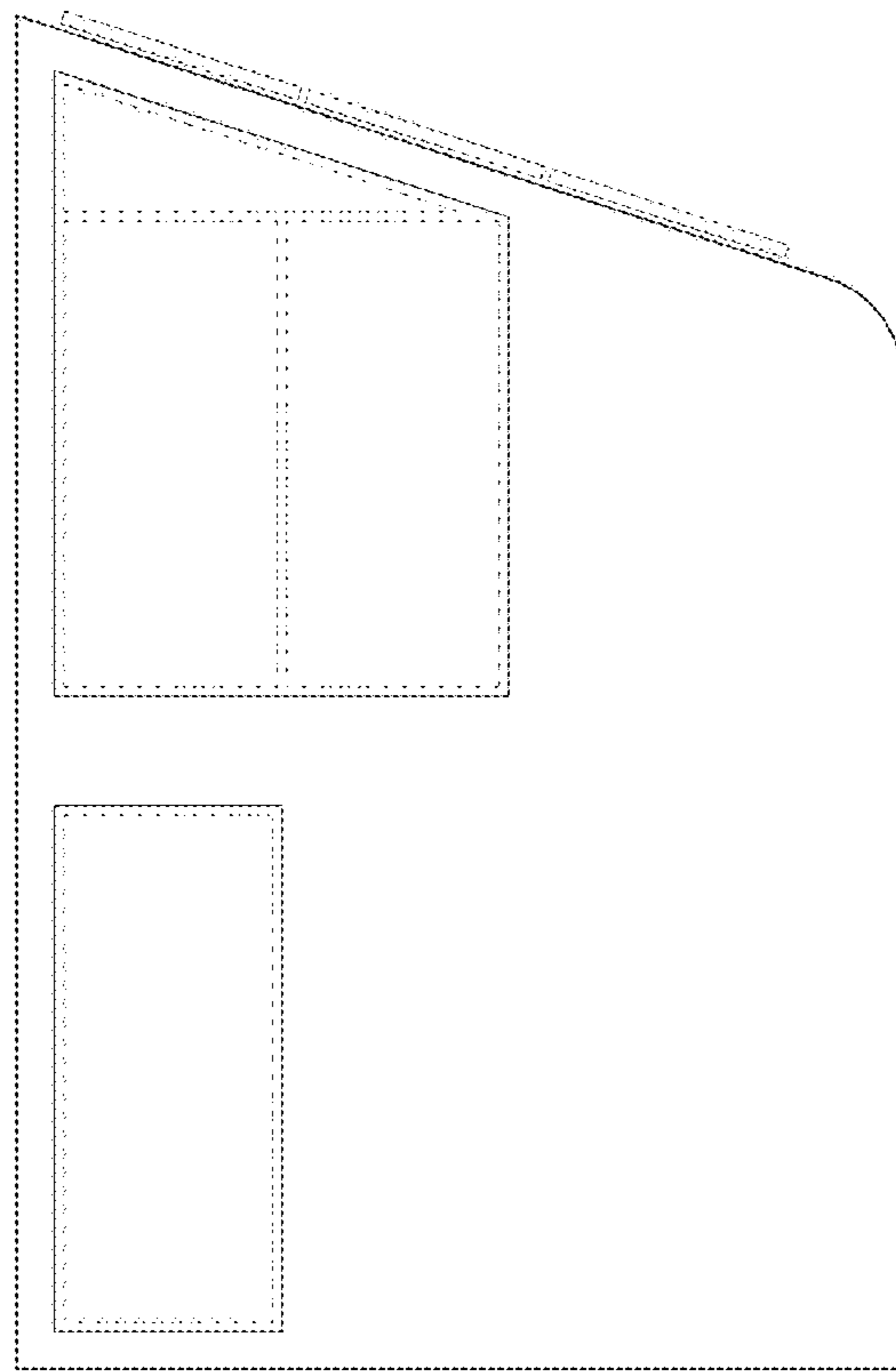


Fig. 6

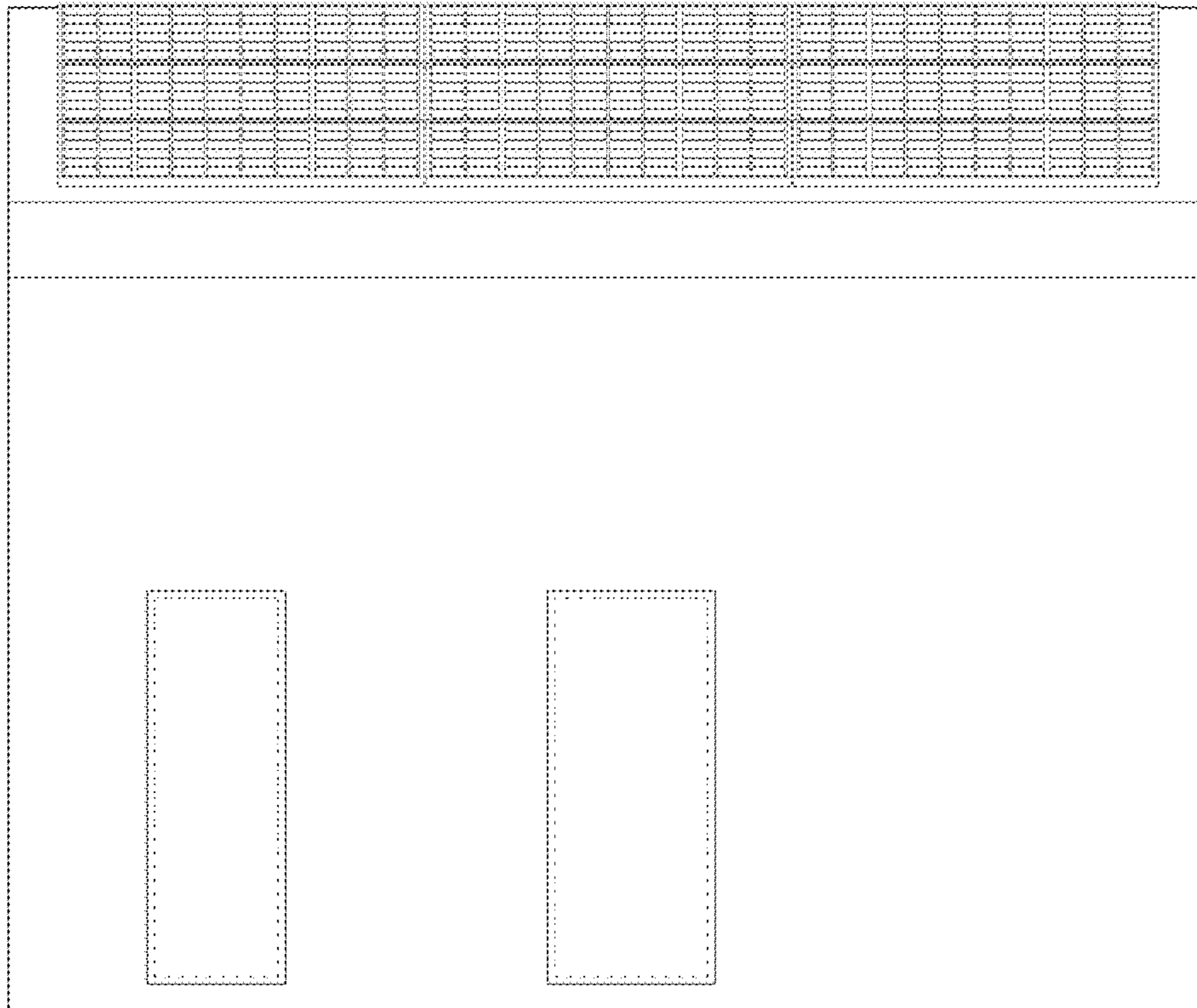


Fig. 7

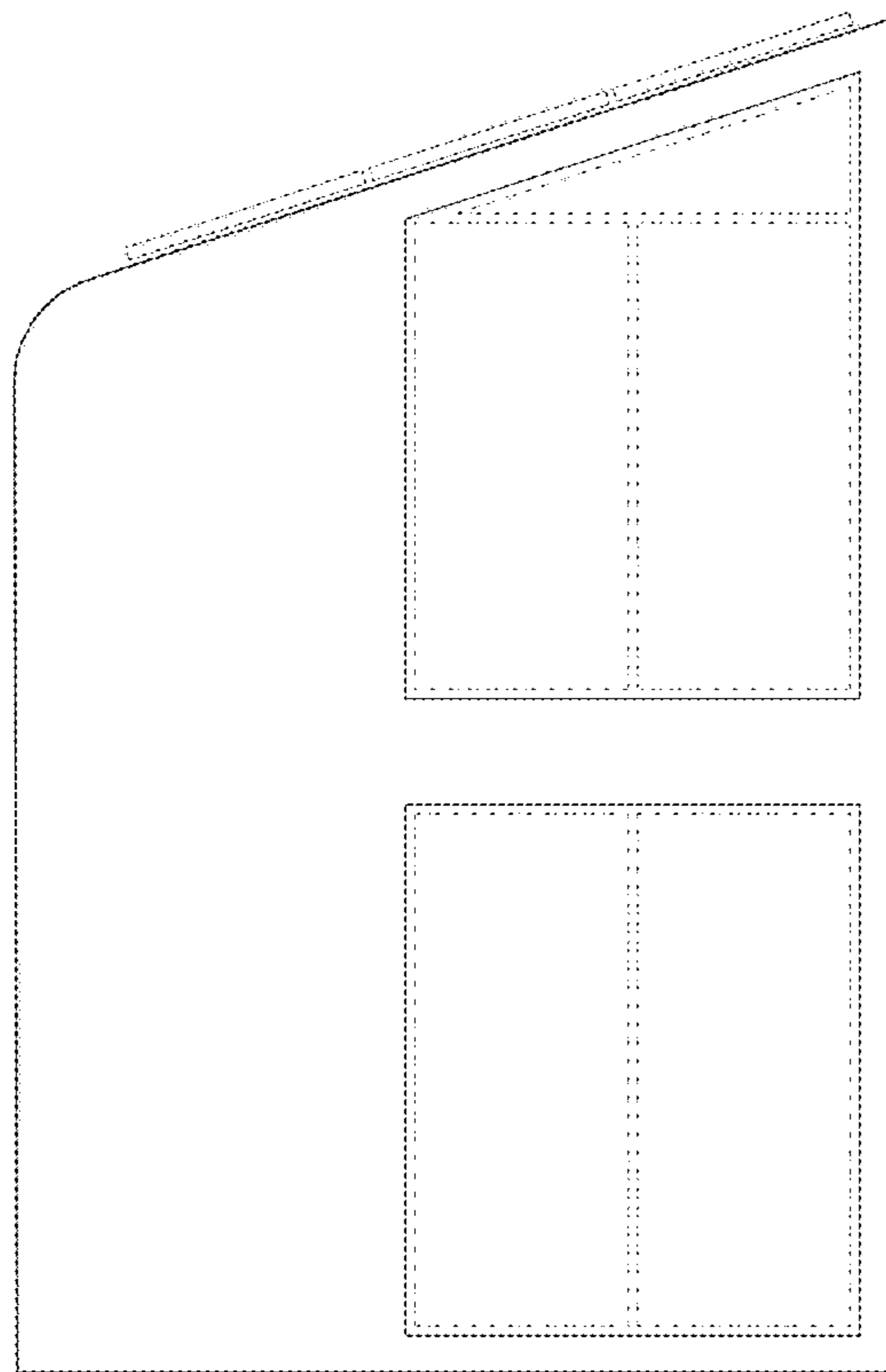


Fig. 8