



US00D870912S

(12) **United States Design Patent** (10) **Patent No.:** **US D870,912 S**
Kang (45) **Date of Patent:** **** Dec. 24, 2019**

(54) **OVEN FOR LIQUID CHROMATOGRAPHY ANALYSIS**

(71) Applicant: **SHIMADZU CORPORATION**, Kyoto (JP)

(72) Inventor: **Hyeri Kang**, Kyoto (JP)

(73) Assignee: **SHIMADZU CORPORATION**, Kyoto (JP)

(**) Term: **15 Years**

(21) Appl. No.: **29/657,843**

(22) Filed: **Jul. 25, 2018**

(30) **Foreign Application Priority Data**

Jan. 26, 2018 (JP) 2018-001492

(51) **LOC (12) Cl.** **24-01**

(52) **U.S. Cl.**
USPC **D24/216; D24/232**

(58) **Field of Classification Search**
USPC D24/107, 111, 169, 170, 216-219, D24/185-186, 224, 231-234; D10/81
CPC G01N 2035/00306; G01N 2035/00326; G01N 2035/00336; G01N 2030/381; G01N 2030/386; G01N 2030/027; G01N 2030/8804; G01N 2030/8809; G01N 2030/8813; G01N 2030/8881; G01N 21/76

See application file for complete search history.

(56) **References Cited**

U.S. PATENT DOCUMENTS

6,592,822 B1 * 7/2003 Chandler G01N 15/1456 356/72
D637,929 S * 5/2011 Kimura D10/81

D639,930 S * 6/2011 Collins D24/107
D646,189 S * 10/2011 Dinter D10/81
D687,561 S * 8/2013 Iseki D24/216
D693,938 S * 11/2013 Matoba D24/216
D693,939 S * 11/2013 Iseki D24/216
D750,989 S * 3/2016 Shimizu D10/81
D768,313 S * 10/2016 Kagawa D24/217
D773,071 S * 11/2016 Hakoda D10/81
D785,198 S * 4/2017 Lemke D24/232
D825,776 S * 8/2018 Quick D24/232
D838,198 S * 1/2019 Kimura D10/81

* cited by examiner

Primary Examiner — Barbara Fox

Assistant Examiner — Mary Shannon Malley

(74) *Attorney, Agent, or Firm* — JCIPRNET

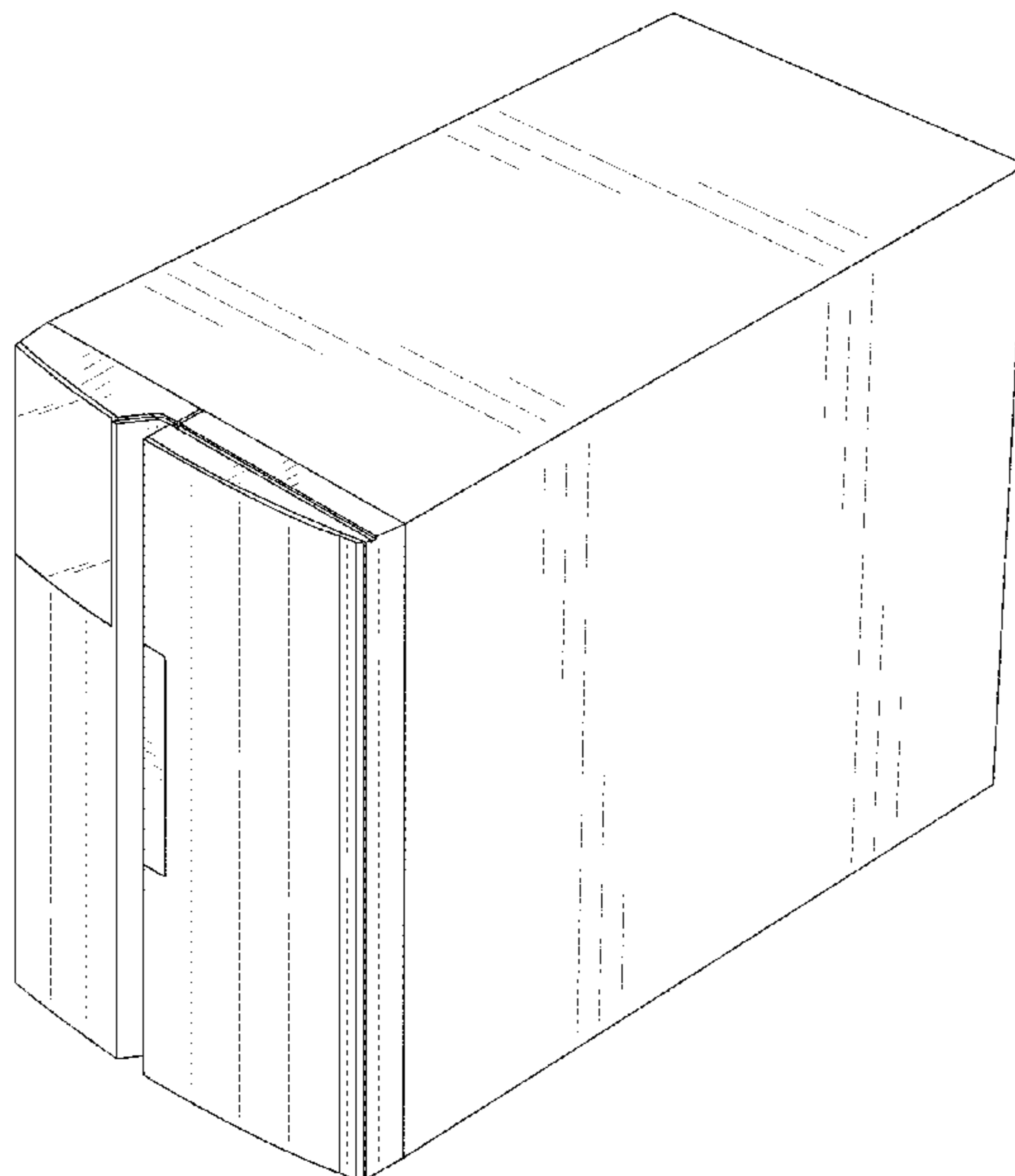
(57) **CLAIM**

The ornamental design for an oven for liquid chromatography analysis, as shown and described.

DESCRIPTION

FIG. 1 is a perspective view of an oven for liquid chromatography analysis showing my new design; FIG. 2 is another perspective view thereof; FIG. 3 is a front view thereof; FIG. 4 is a rear view thereof; FIG. 5 is a left side view thereof; FIG. 6 is a right side view thereof; FIG. 7 is a top view thereof; FIG. 8 is a bottom view thereof; and, FIG. 9 is a cross-sectional view taken along line 9-9 in FIG. 3 with the internal parts omitted. The dashed broken lines in FIGS. 8 and 9 illustrate portions of the oven for liquid chromatography analysis that form no part of the claimed design.

1 Claim, 9 Drawing Sheets



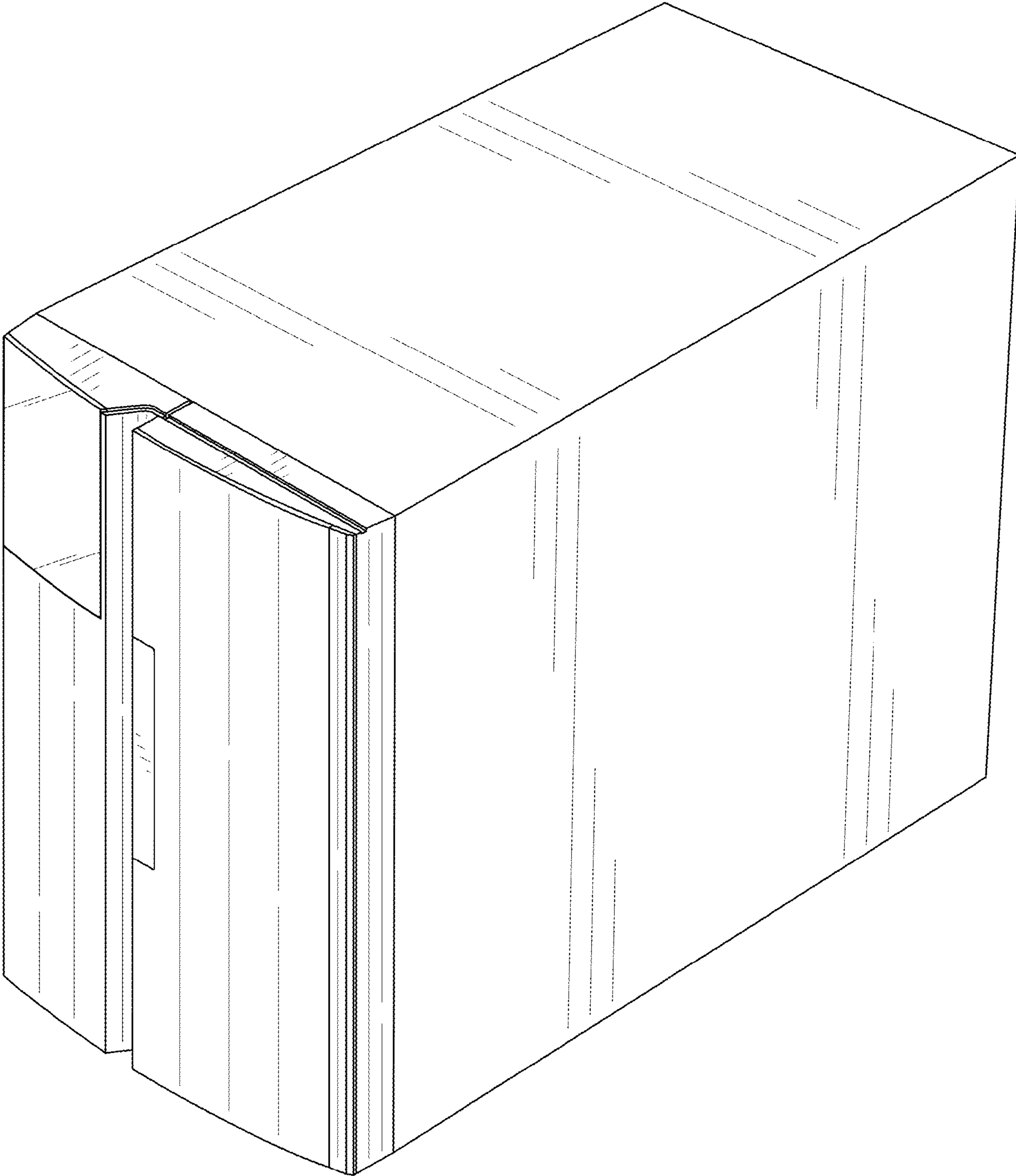


FIG. 1

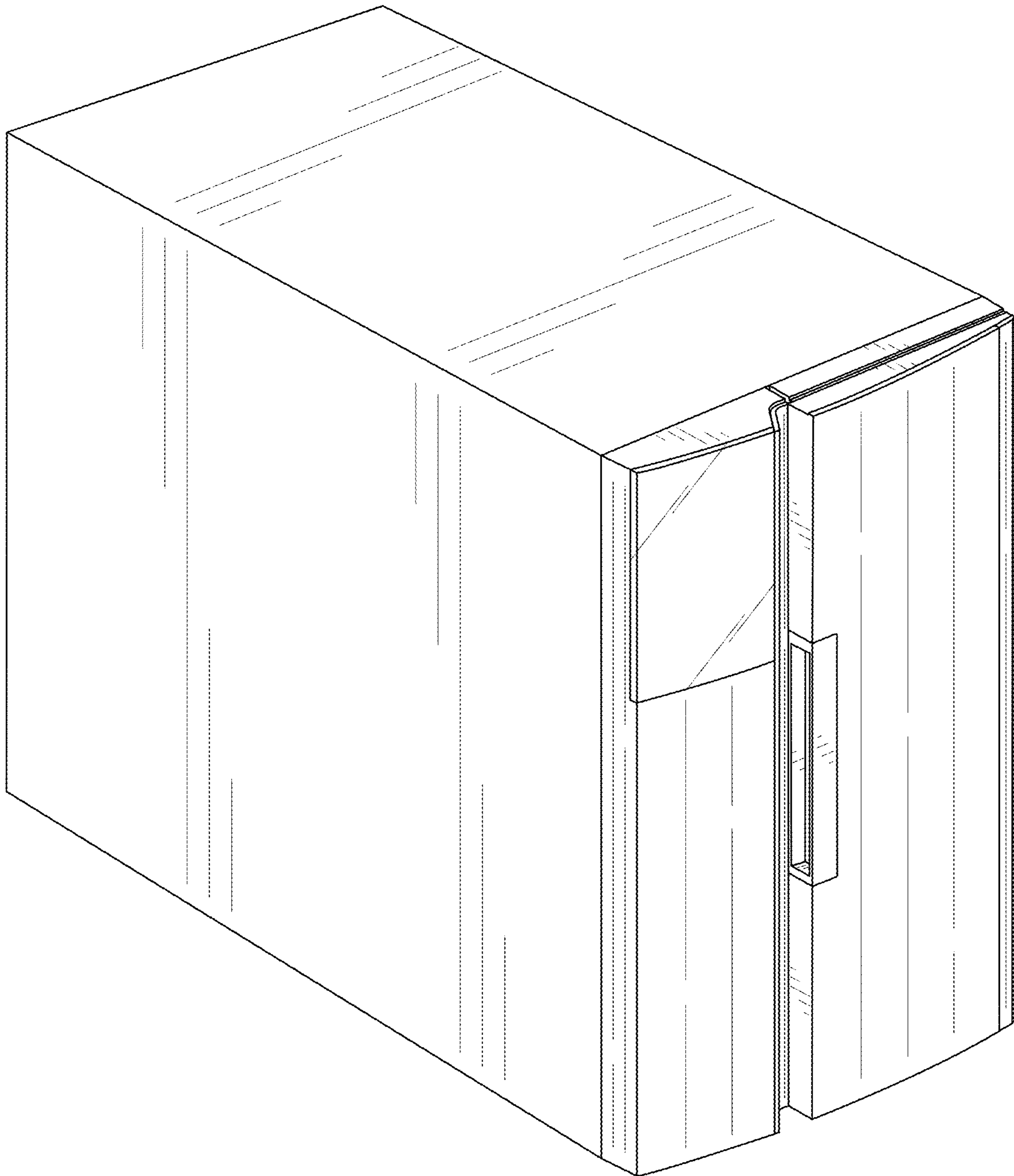


FIG. 2

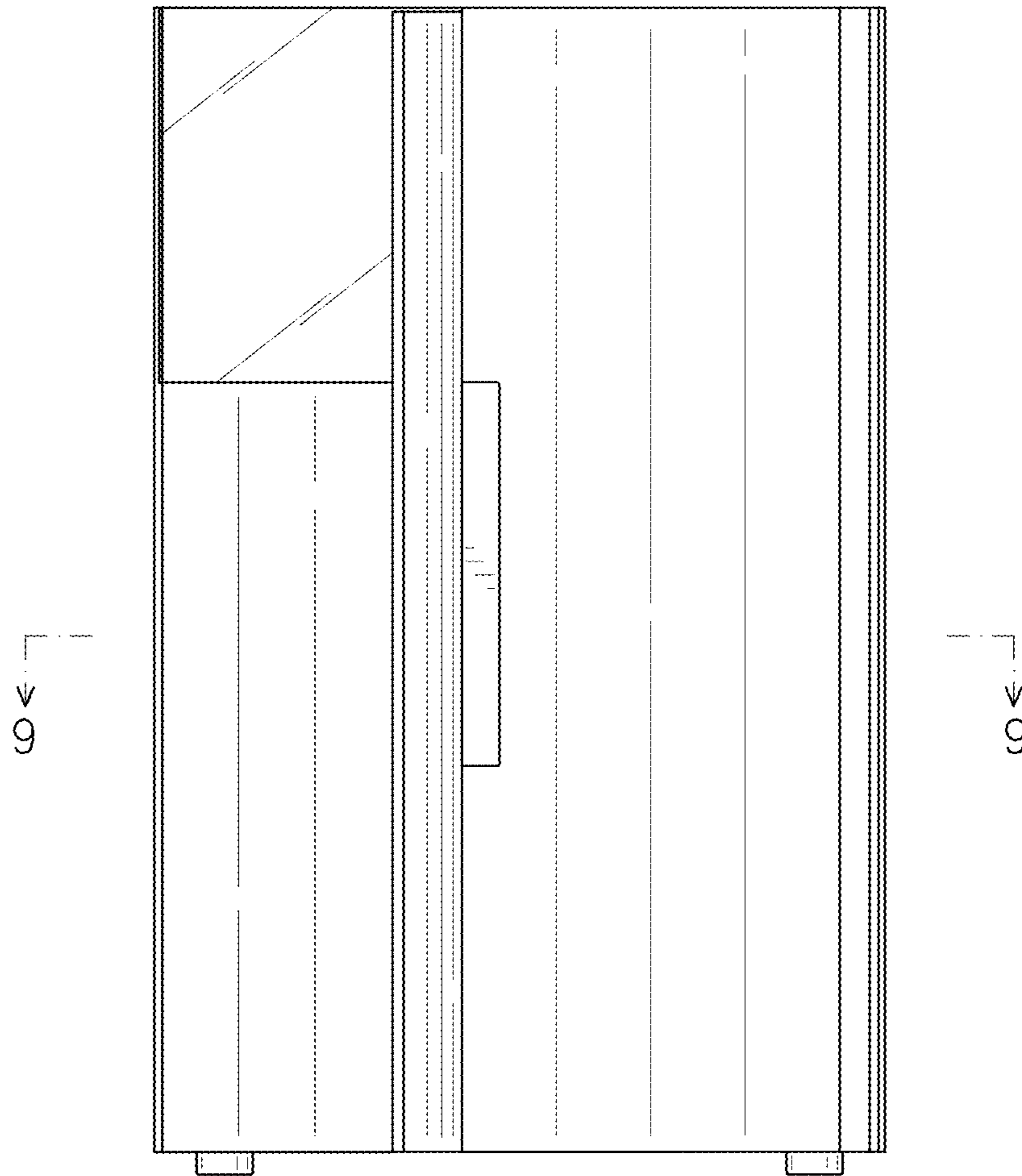


FIG. 3

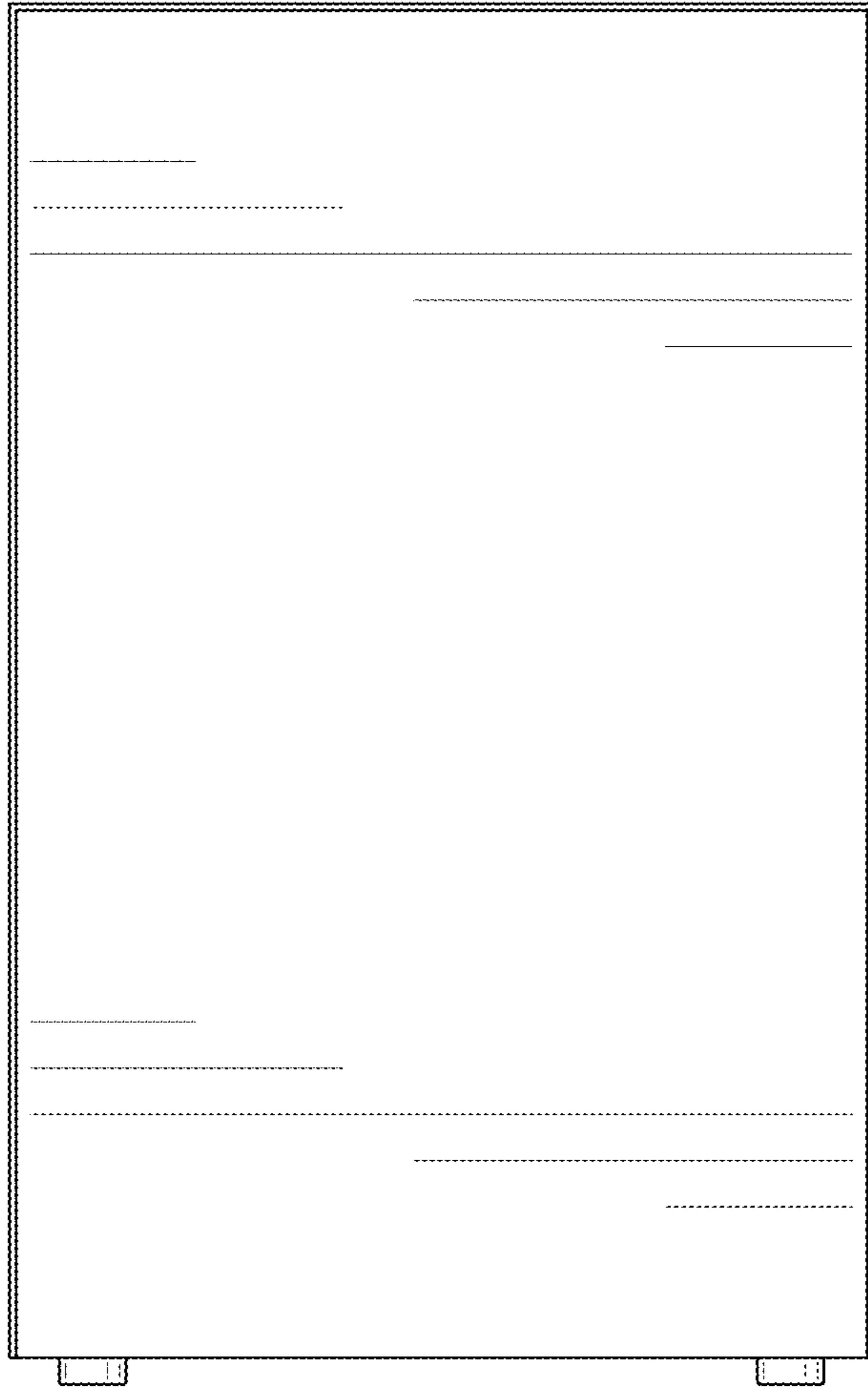


FIG. 4



FIG. 5

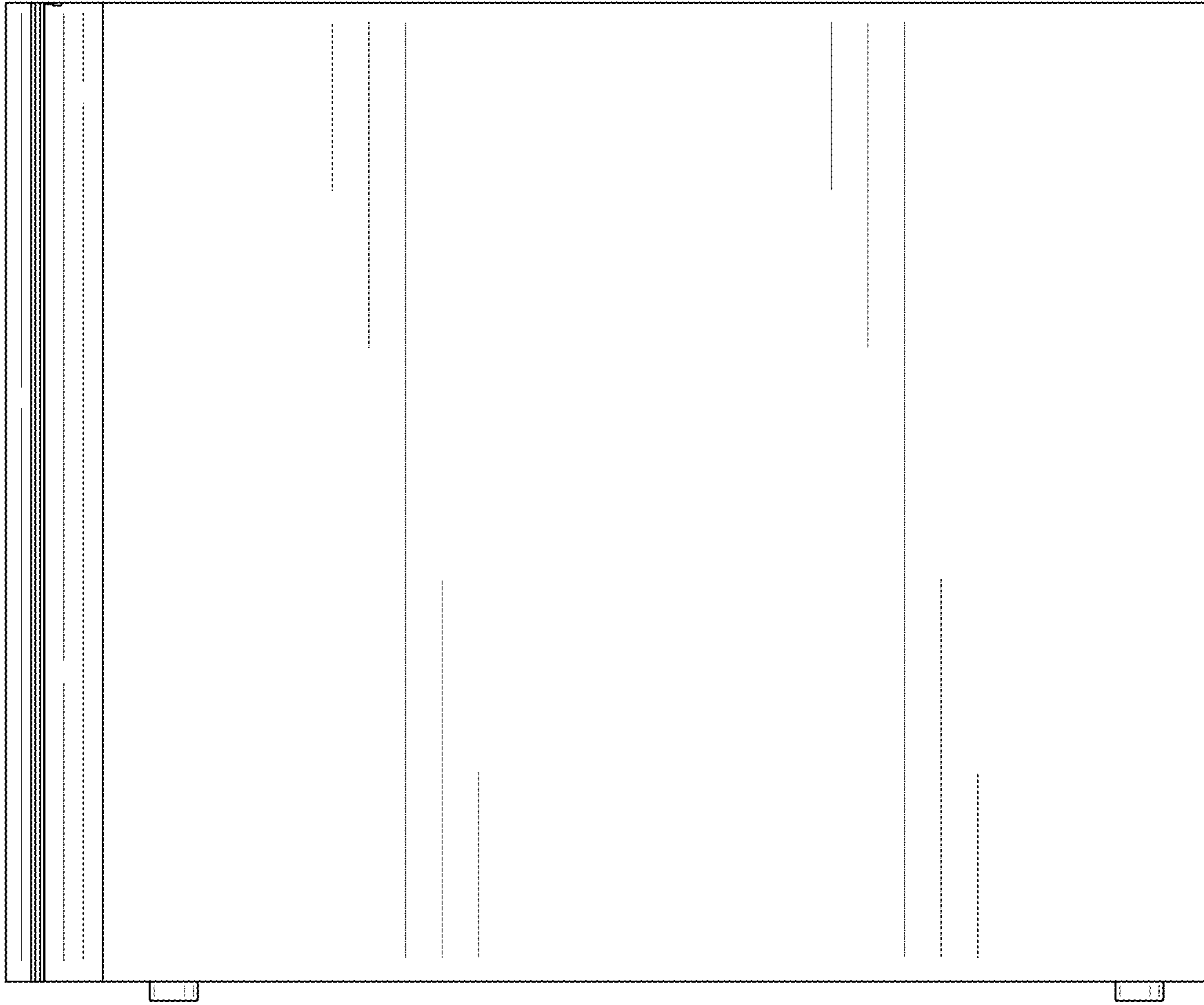


FIG. 6

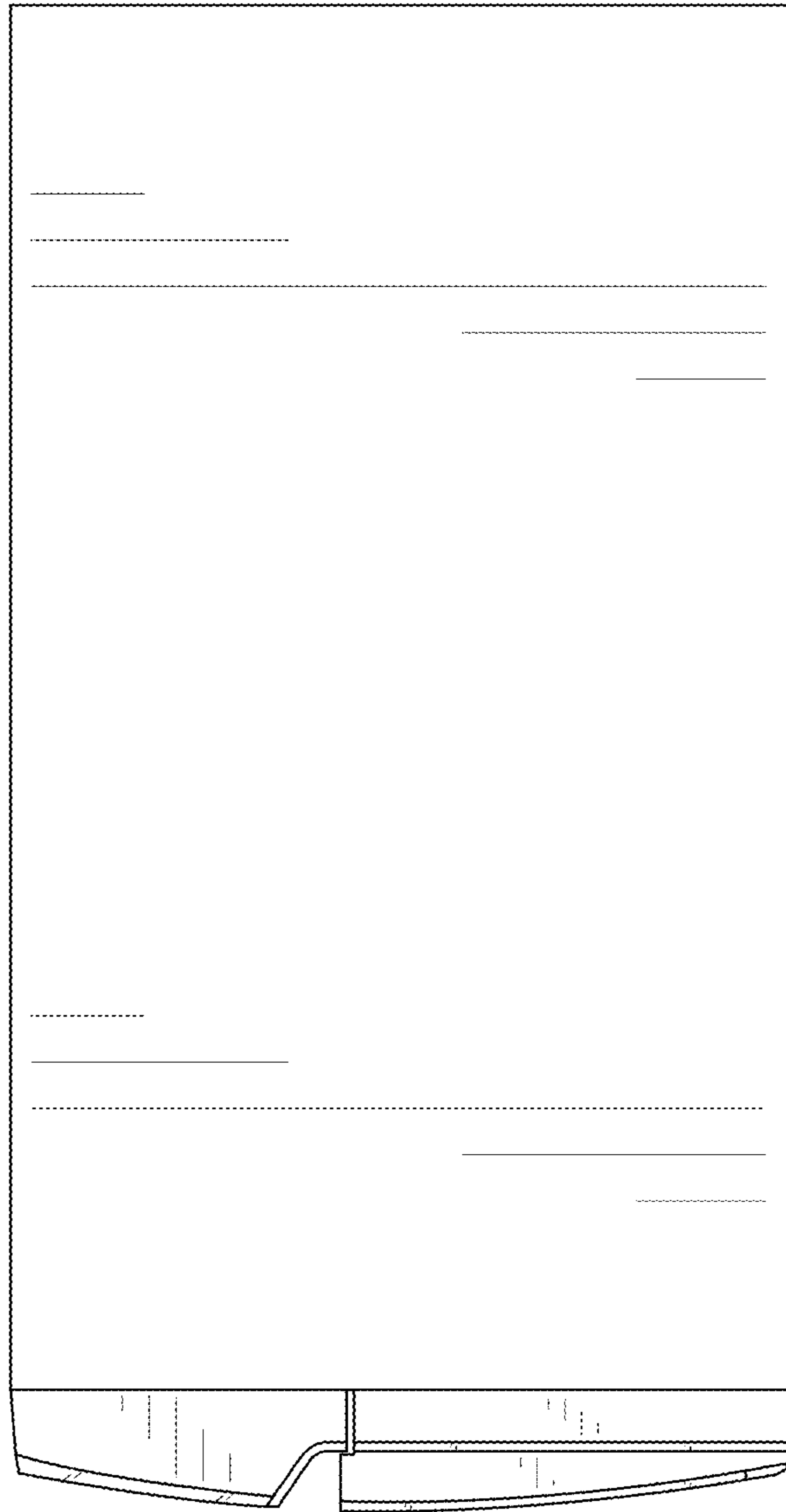


FIG. 7

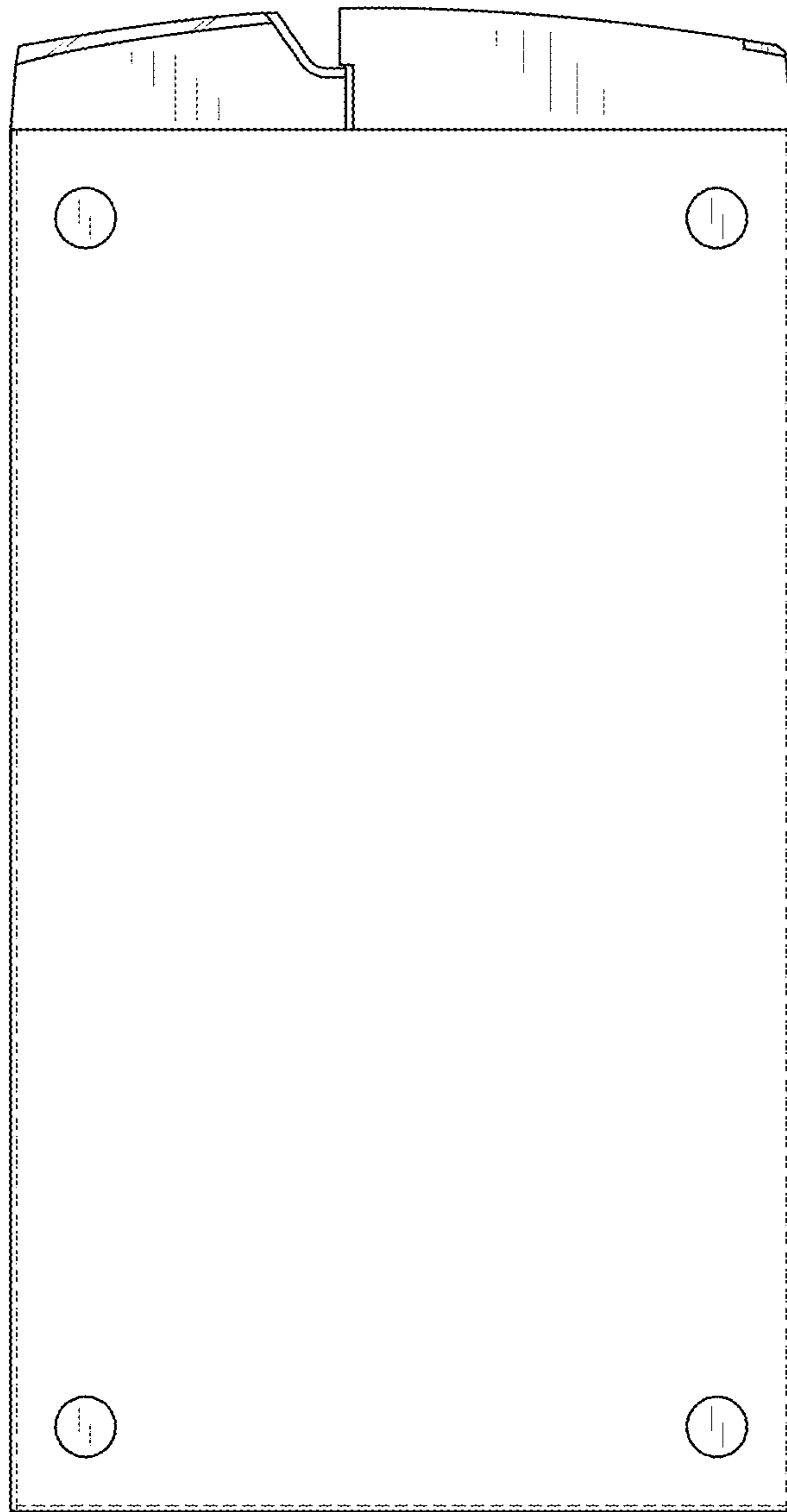


FIG. 8

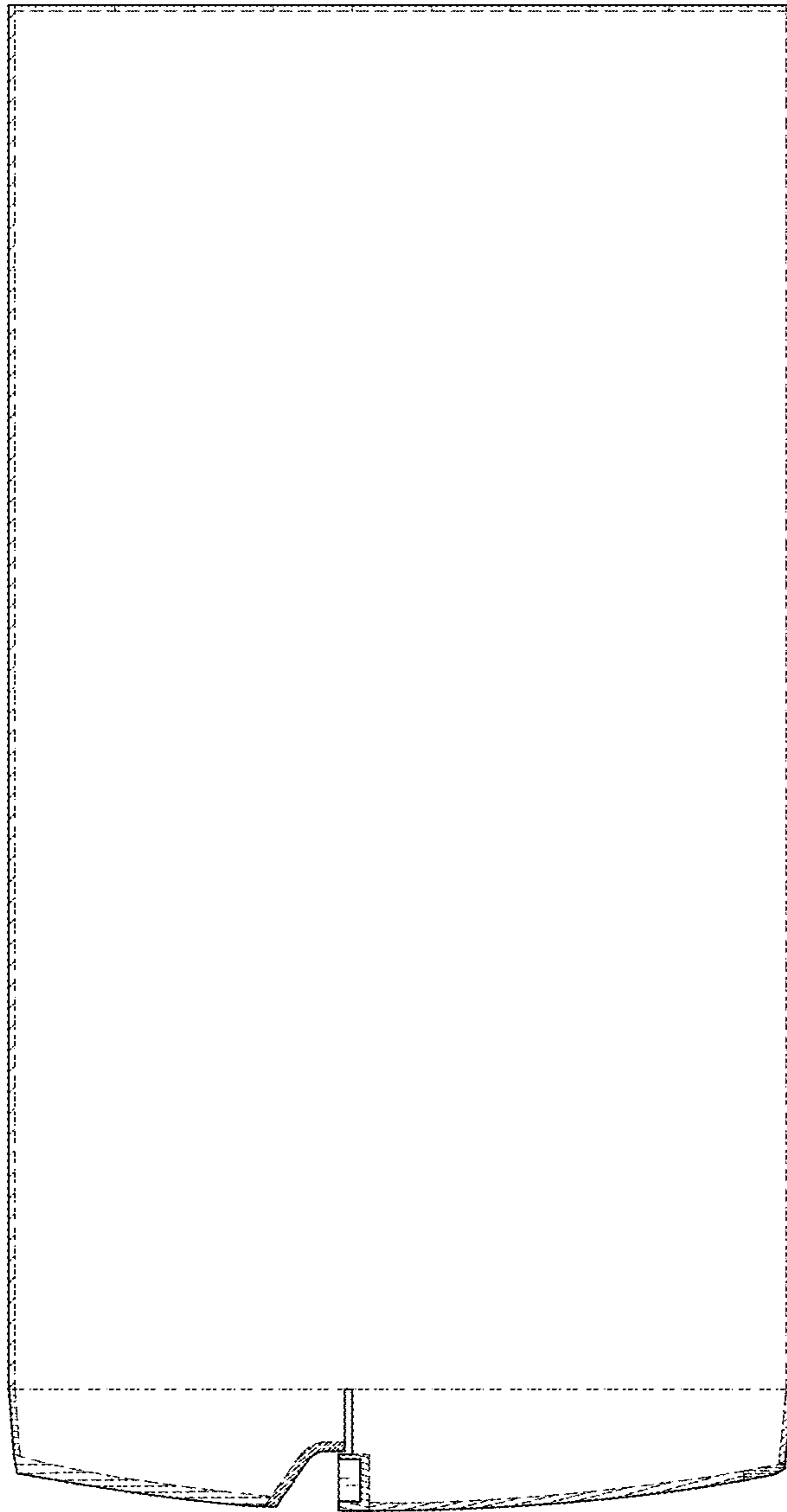


FIG. 9