



US00D870908S

(12) **United States Design Patent** (10) **Patent No.:** **US D870,908 S**  
**Hyder** (45) **Date of Patent:** **\*\* Dec. 24, 2019**

- (54) **ROLLER THERAPY DEVICE** 1,947,042 A \* 2/1934 Glennan ..... A61H 15/02  
401/174
- (71) Applicant: **Recoup Fitness LLC**, Littleton, CO 2,043,114 A 6/1936 Ruttger-Pelli  
(US) 2,510,399 A \* 6/1950 Harris ..... A61H 15/0092  
601/131
- (72) Inventor: **Matthew Hyder**, Littleton, CO (US) 2,752,915 A \* 7/1956 Riblet ..... A61H 15/00  
601/118
- (73) Assignee: **RECOUP FITNESS LLC**, Littleton, 2,797,685 A \* 7/1957 Packwood ..... A61H 15/0092  
CO (US) 601/131
- (\*\*) Term: **15 Years** 4,111,233 A 9/1978 Takashi  
4,116,233 A \* 9/1978 Scaduto ..... A61H 15/0092  
601/113
- (21) Appl. No.: **29/696,142** 4,846,159 A \* 7/1989 Anzai ..... A61H 15/00  
601/128

(Continued)

(22) Filed: **Jun. 25, 2019**

*Primary Examiner* — Sandra S Snapp

(74) *Attorney, Agent, or Firm* — Holzer Patel Drennan

**Related U.S. Application Data**

- (63) Continuation of application No. 15/078,241, filed on Mar. 23, 2016.
- (51) **LOC (12) Cl.** ..... **28-03**
- (52) **U.S. Cl.**  
USPC ..... **D24/211**
- (58) **Field of Classification Search**  
USPC ..... D24/200, 211, 212, 213, 214, 215;  
601/19, 52, 63, 99, 110, 113, 118, 119,  
601/120, 121, 128, 129, DIG. 12,  
601/DIG. 14, DIG. 15, DIG. 16, DIG. 17  
CPC .. A61H 1/00; A61H 1/001; A61H 2015/0007;  
A61H 2015/0042; A61H 2015/0064;  
A61H 15/00; A61H 15/0092; A61H 37/00  
See application file for complete search history.

(56) **References Cited**

**U.S. PATENT DOCUMENTS**

- 754,923 A \* 3/1904 Zar-Adusht-Hanish .....  
B65D 9/04  
217/76
- 1,852,455 A \* 4/1932 Friedman ..... A45D 33/00  
132/293

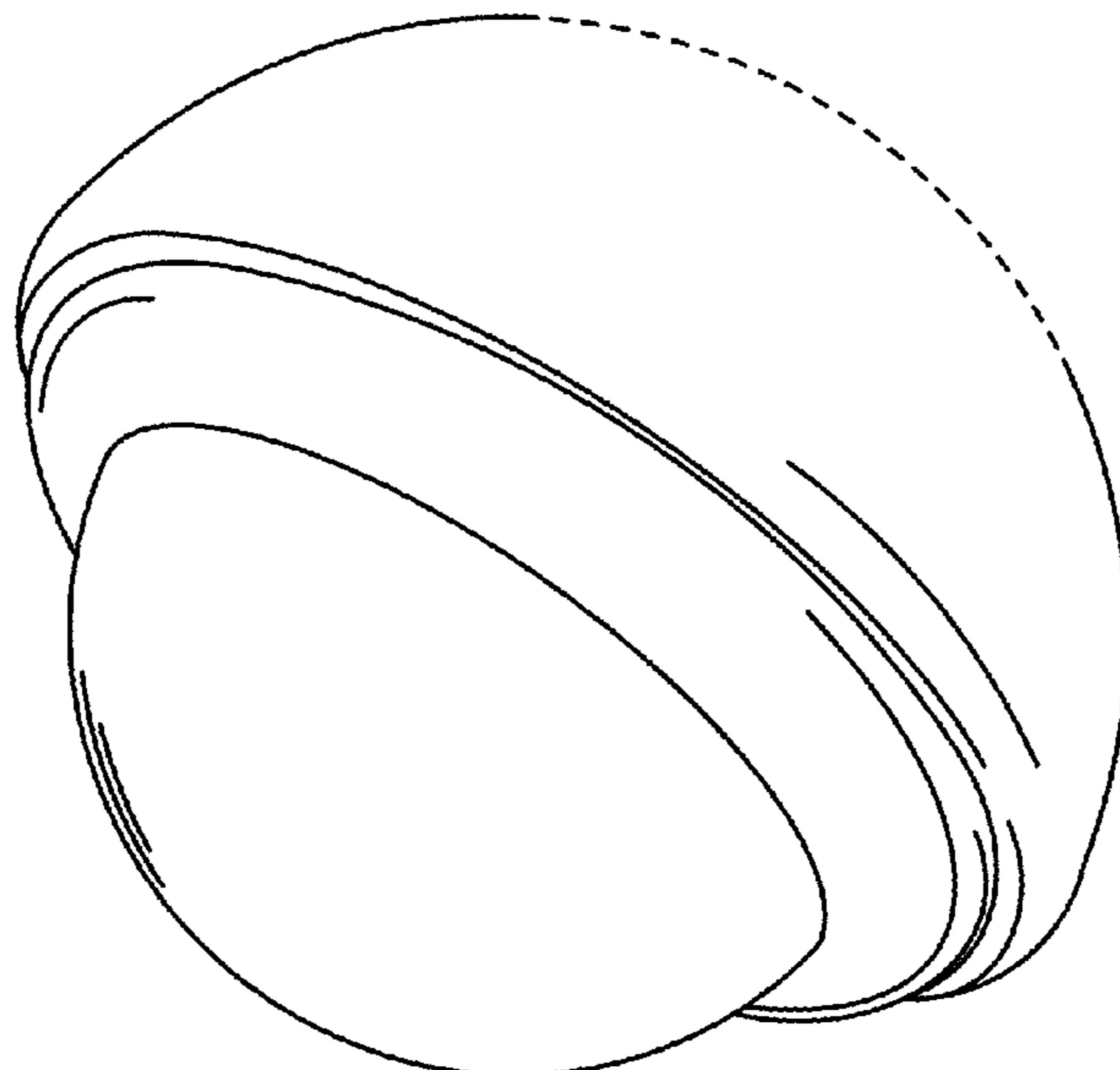
(57) **CLAIM**

I claim the ornamental design for a roller therapy device, as shown and described.

**DESCRIPTION**

FIG. 1 is a side perspective view of a roller therapy device having a base component, a ball, and an annular component. FIG. 2 is an exploded perspective view of the roller therapy device. FIG. 3 is a side elevation view of the roller therapy device. FIG. 4 is a bottom plan view of the roller therapy device. FIG. 5 is a cross-sectional view of the roller therapy device taken along line 5-5 in FIG. 4. FIG. 6 is a cross-sectional view of the base component of the roller therapy device taken along line 5-5 in FIG. 4, the base component removed for ease of illustration; and, FIG. 7 is a perspective view of the annular component of the roller therapy device, the annular component removed for ease of illustration. The broken lines shown in the figures are for illustrative purposes only and are not part of the claimed design.

**1 Claim, 7 Drawing Sheets**



(56)

References Cited

U.S. PATENT DOCUMENTS

5,127,395 A *	7/1992	Bontemps	A61F 7/10 601/118	8,651,308 B1 *	2/2014	Sung	A45D 40/00 206/457
D378,539 S *	3/1997	Scott	D24/211	D709,652 S *	7/2014	Teller	D28/83
5,802,743 A *	9/1998	Chien	A43B 7/00 36/11.5	D726,028 S *	4/2015	Thompson	D28/7
D403,076 S *	12/1998	York	D24/214	D762,309 S *	7/2016	Cohen	D24/211
6,093,159 A *	7/2000	Racoosin	A61H 15/0092 601/118	D765,873 S *	9/2016	Hetzel	D24/214
6,309,331 B1 *	10/2001	Raymond	A61H 15/00 482/132	D768,936 S *	10/2016	Yoshida	D28/83
D454,644 S *	3/2002	York	D24/214	D789,548 S *	6/2017	Cheng	D24/211
6,497,673 B2 *	12/2002	Rogalski	A61F 13/108 128/846	D806,889 S *	1/2018	Holland	D24/211
D469,880 S *	2/2003	York	D24/214	D808,080 S *	1/2018	Corey	D28/85
D501,257 S *	1/2005	Huang	D24/206	D819,824 S *	6/2018	Moehlenbrock	D24/211
D502,264 S *	2/2005	Timmer	D24/211	D822,221 S *	7/2018	Huth	D24/211
D507,057 S *	7/2005	Timmer	D24/211	D825,858 S *	8/2018	Teller	D28/85
D535,752 S *	1/2007	Smith	D24/214	D825,861 S *	8/2018	Teller	D28/85
7,207,957 B2 *	4/2007	Szczepanski	A61H 15/0085 601/112	D827,205 S *	8/2018	Teller	D28/85
7,244,237 B2 *	7/2007	Smith	A61H 15/02 601/15	D829,334 S *	9/2018	Hardof	D24/211
D554,529 S *	11/2007	Green	D9/726	D830,569 S *	10/2018	Solomon	D24/215
D562,699 S *	2/2008	Green	D9/504	D830,638 S *	10/2018	Teller	D28/85
D569,005 S *	5/2008	York	D24/214	10,182,961 B2 *	1/2019	Whittier	A61H 15/00
7,399,285 B2	7/2008	Stein		D841,252 S *	2/2019	Teller	D28/85
7,481,783 B1 *	1/2009	Kelley	A61H 15/0092 601/128	D841,827 S *	2/2019	Zedaker	D24/215
7,621,858 B2 *	11/2009	Sheron	A63B 21/0618 482/129	D843,002 S *	3/2019	Yarborough	D24/211
D617,467 S *	6/2010	Dworzan	D24/211	D846,808 S *	4/2019	Teller	D28/85
D644,939 S *	9/2011	Teller	D9/726	D848,631 S *	5/2019	Reay	D24/211
D667,131 S *	9/2012	Faussett	D24/215	D849,262 S *	5/2019	Downare	D24/211
8,444,337 B2 *	5/2013	Teller	A45D 40/00 401/88	D850,640 S *	6/2019	Wersland	D24/211
D691,279 S *	10/2013	Hane-Karr	D24/211	10,334,933 B2 *	7/2019	Decaux	A45D 34/041
8,550,965 B2 *	10/2013	Candela	A63B 23/0211 482/132	2005/0015032 A1	1/2005	Stein	
				2006/0161080 A1 *	7/2006	Chen	A61H 7/003 601/131
				2006/0254945 A1 *	11/2006	Green	A45D 40/0068 206/457
				2010/0087763 A1 *	4/2010	Hane-Karr	A61H 7/007 601/137
				2011/0024316 A1 *	2/2011	Ginsburg	A45D 40/0068 206/385
				2012/0209154 A1	8/2012	Williams, III	
				2014/0228723 A1	8/2014	Cockerill et al.	
				2014/0336550 A1	11/2014	Zedaker	
				2015/0057579 A1	2/2015	Martinez	
				2015/0223970 A1 *	8/2015	Holland	A61F 7/10 601/19
				2016/0279017 A1 *	9/2016	Hyder	A61H 15/00

\* cited by examiner

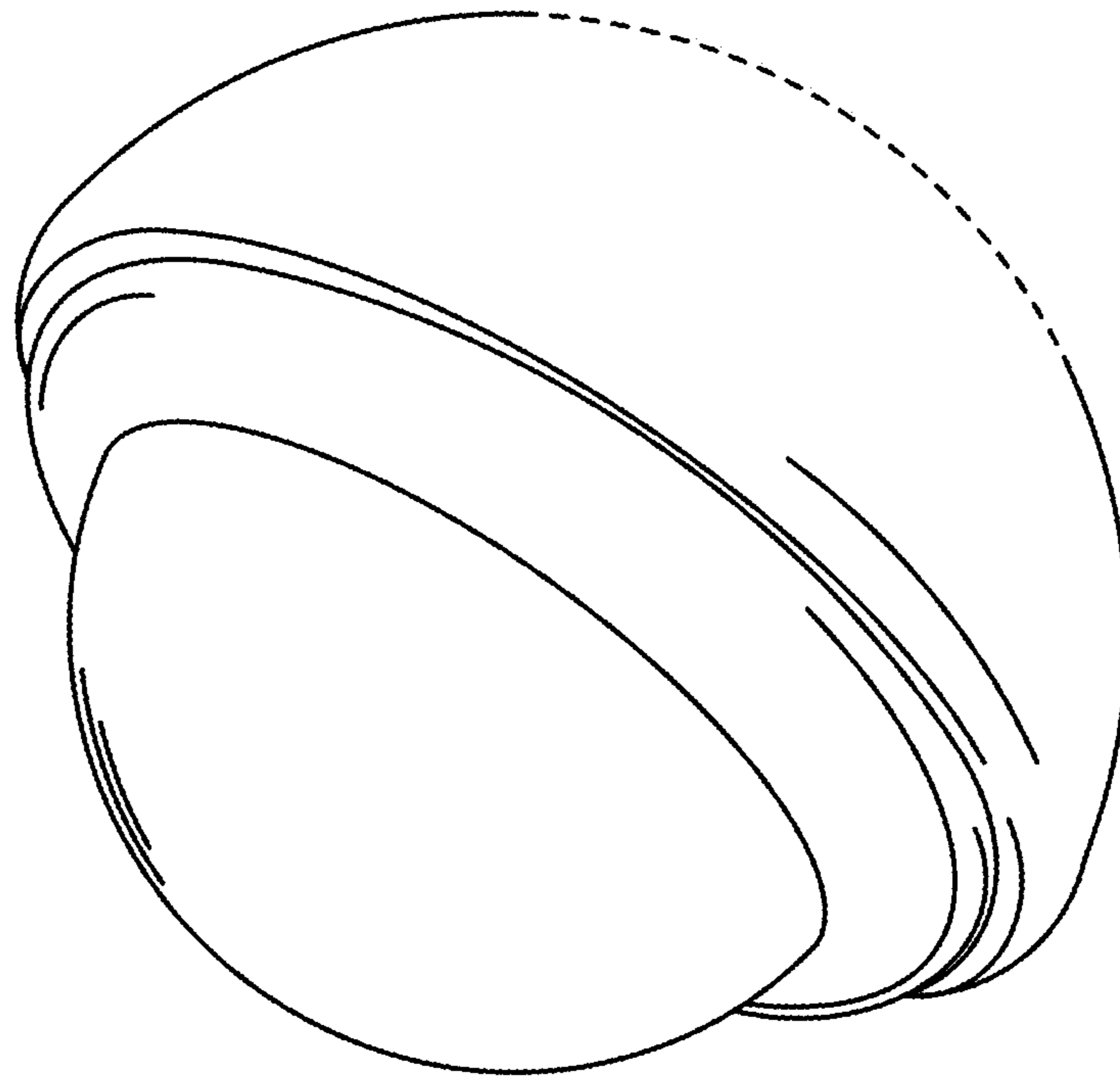


FIG. 1

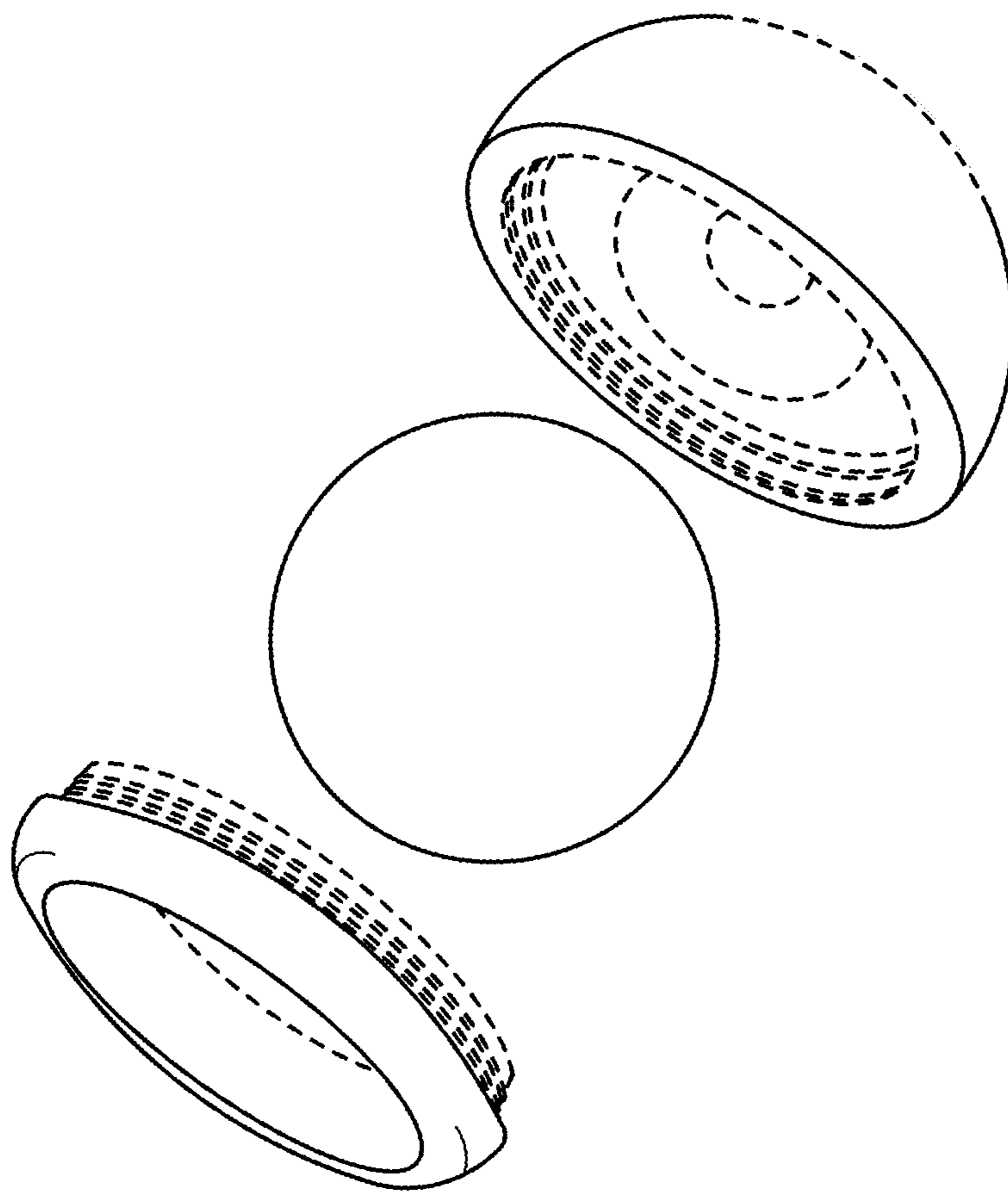


FIG. 2

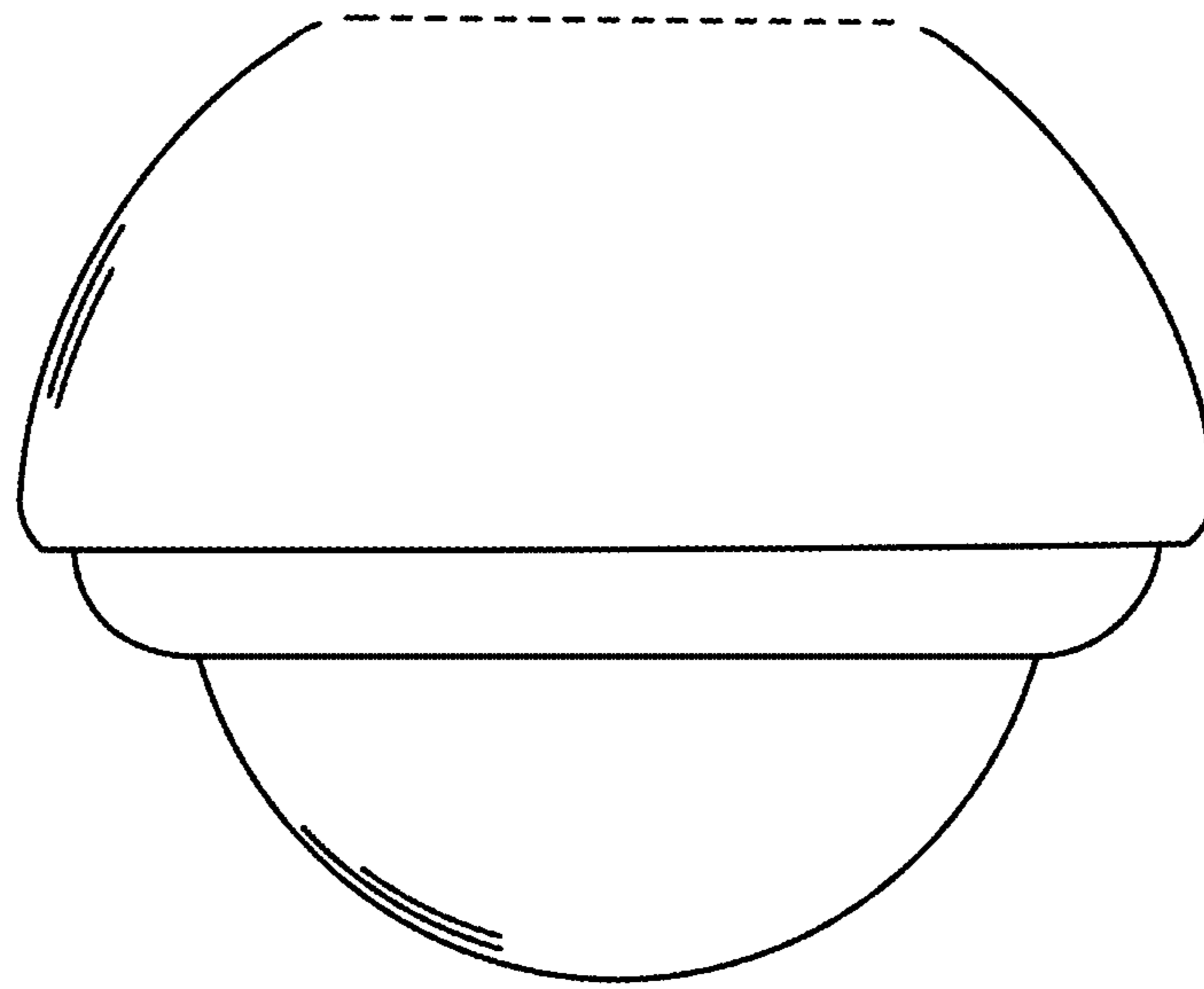


FIG. 3



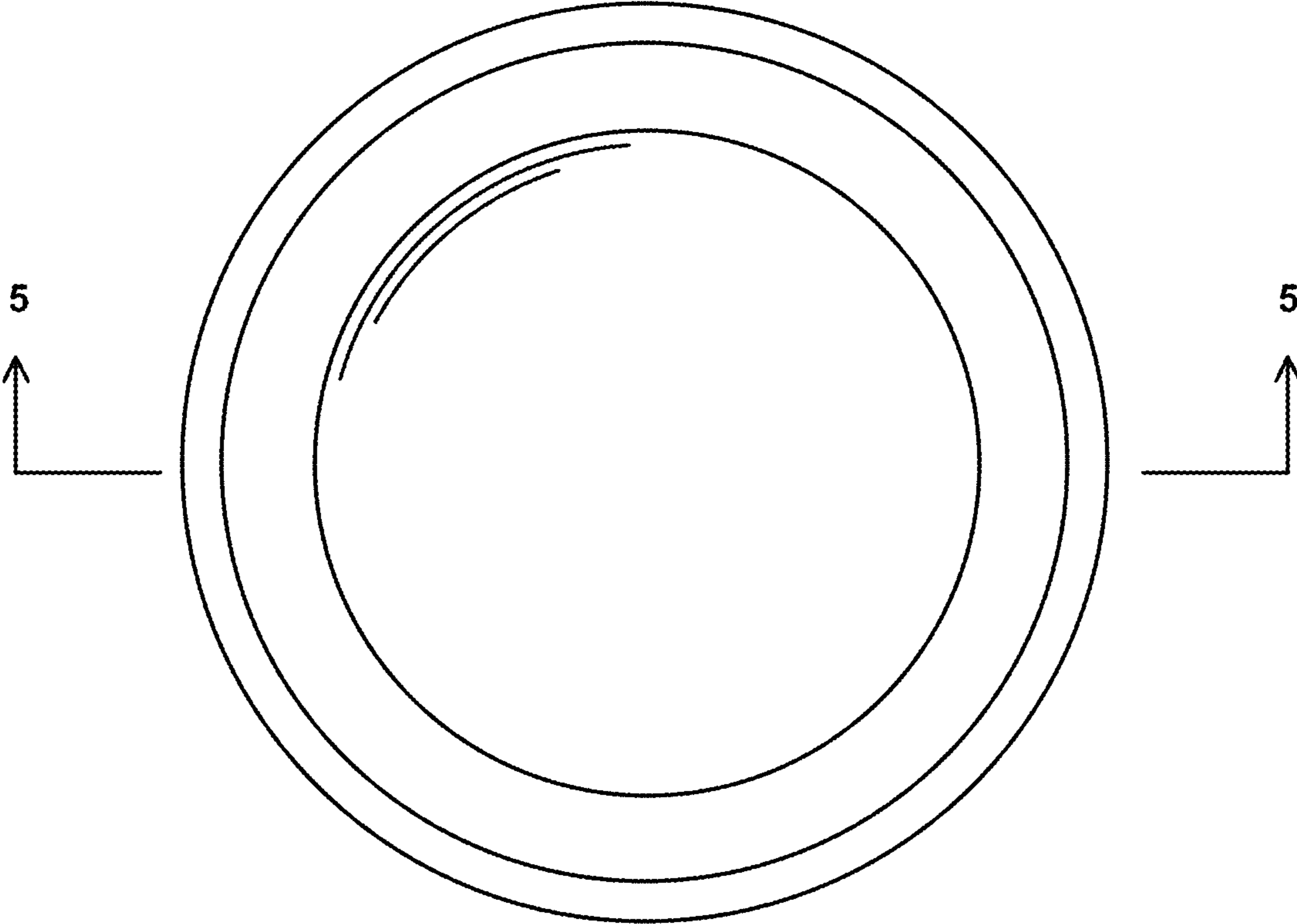


FIG. 4

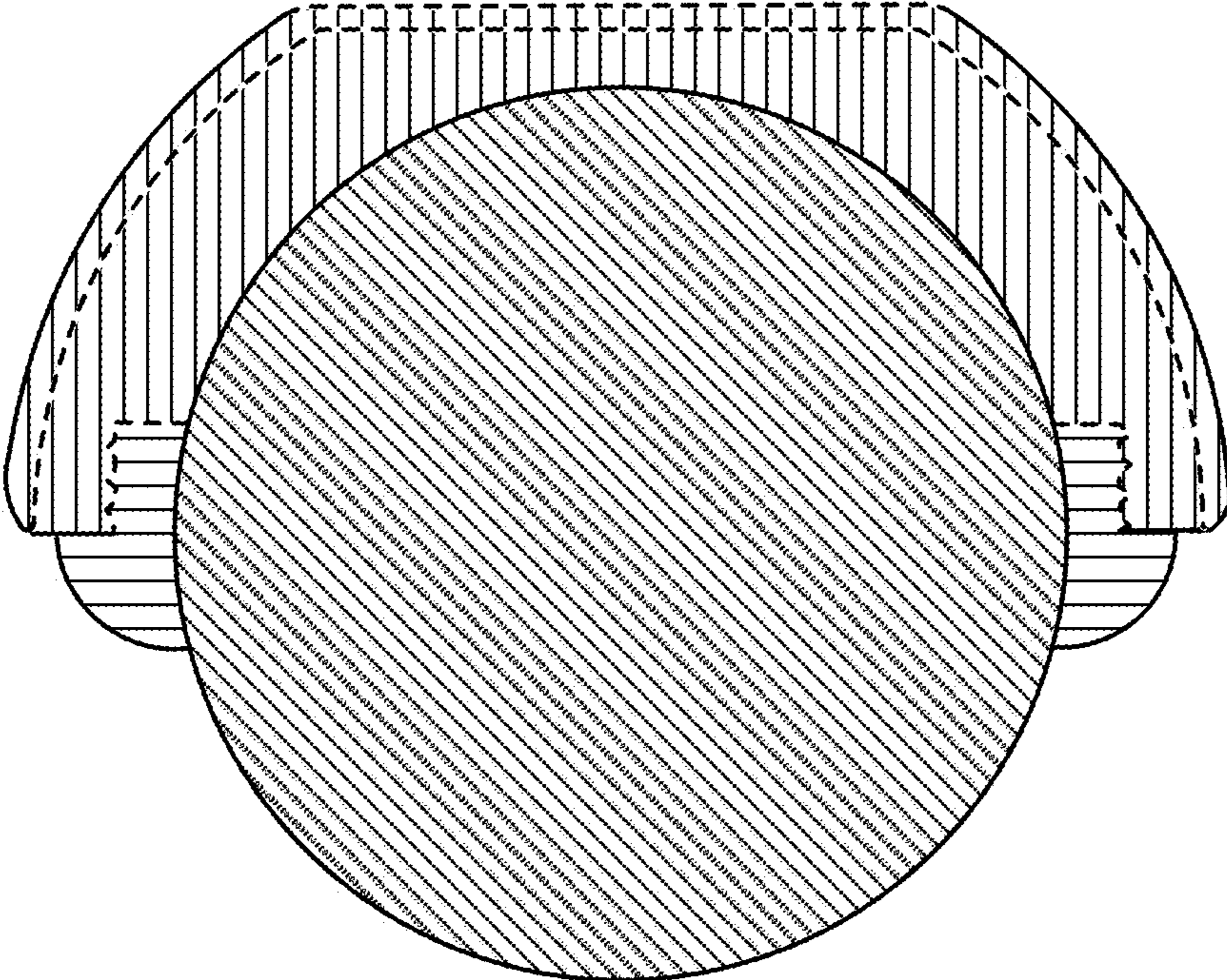


FIG. 5

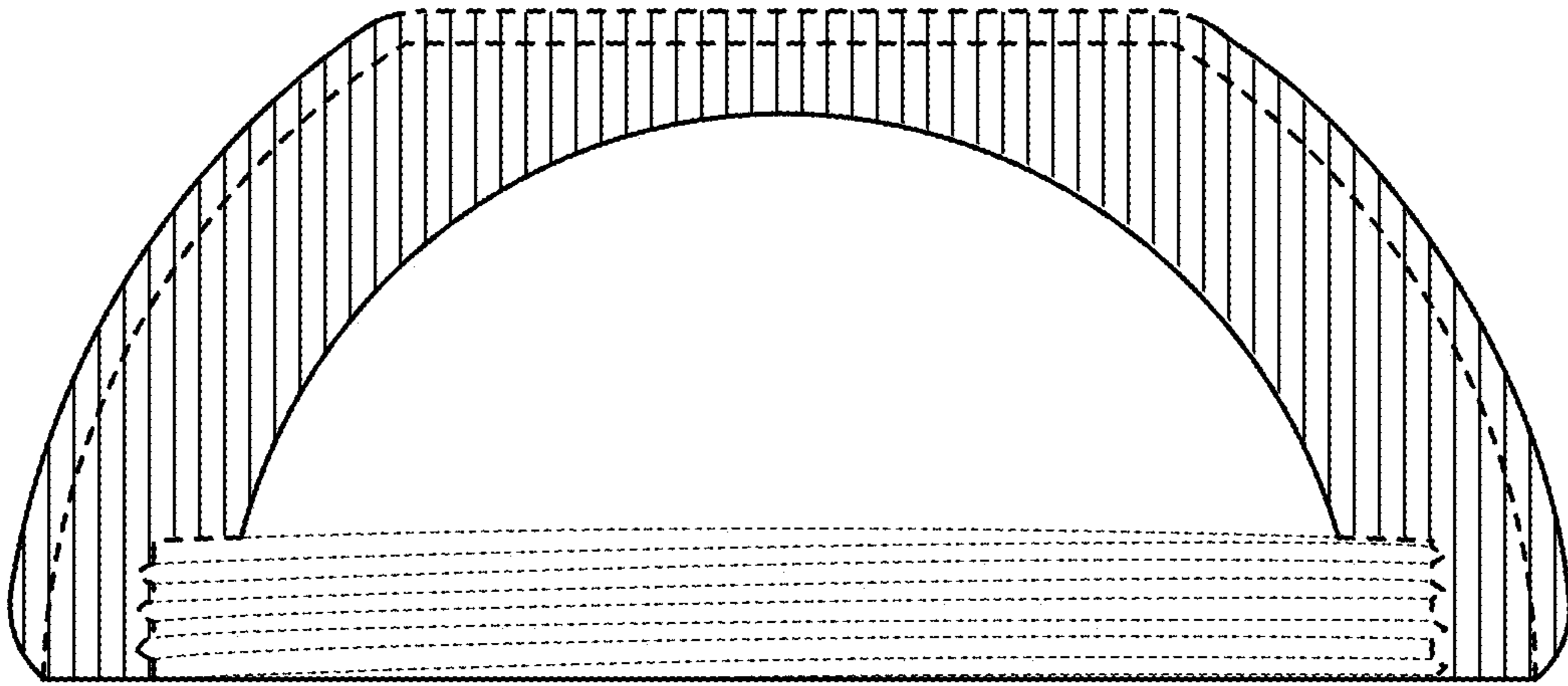


FIG. 6



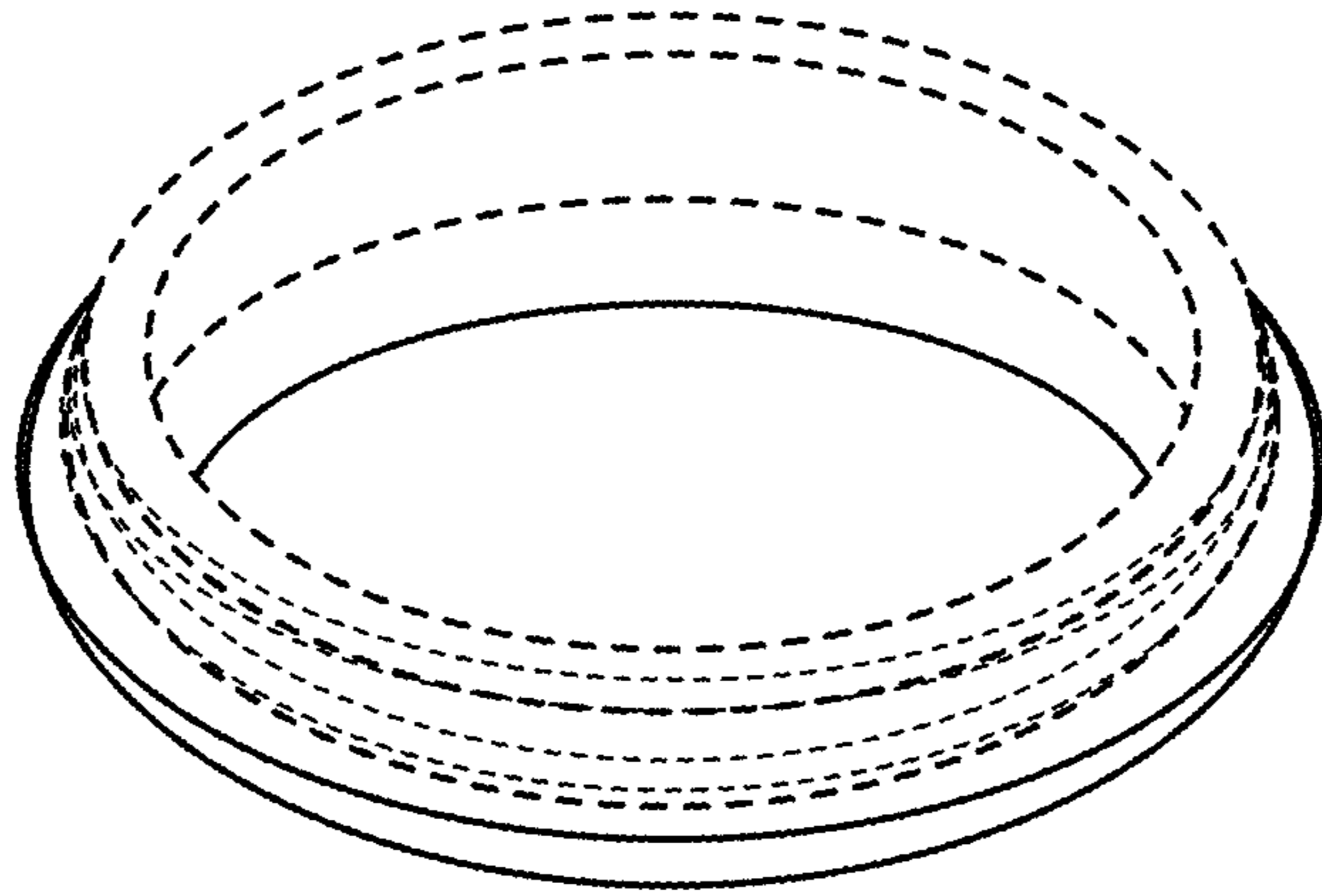


FIG. 7