



US00D870906S

(12) **United States Design Patent** (10) **Patent No.:** **US D870,906 S**
Bruder (45) **Date of Patent:** **** Dec. 24, 2019**

(54) **THERAPEUTIC EYE MASK**

FOREIGN PATENT DOCUMENTS

(71) Applicant: **BRUDER HEALTHCARE COMPANY, LLC**, Alpharetta, GA (US)

EP 0099748 A1 2/1984
EP 0230387 A2 7/1987
(Continued)

(72) Inventor: **Mark H. Bruder**, Alpharetta, GA (US)

OTHER PUBLICATIONS

(73) Assignee: **BRUDER HEALTHCARE COMPANY, LLC**, Alpharetta, GA (US)

Bentonite Definition; Encyclopaedia Britannica; 1 pg; date unknown.
(Continued)

(**) Term: **15 Years**

Primary Examiner — Wan Laymon

(21) Appl. No.: **29/677,244**

(74) *Attorney, Agent, or Firm* — Gardner Groff & Greenwald, PC

(22) Filed: **Jan. 18, 2019**

(57) **CLAIM**

The ornamental design for a therapeutic eye mask, substantially as shown and described.

Related U.S. Application Data

DESCRIPTION

(62) Division of application No. 29/586,064, filed on Nov. 30, 2016, now Pat. No. Des. 844,795.

(51) **LOC (12) Cl.** **24-04**

(52) **U.S. Cl.**
USPC **D24/206**

(58) **Field of Classification Search**
USPC D24/206–208, 200
CPC A61F 7/02; A61F 7/03; A61F 7/103; A61F 7/106; A61F 2007/0001; A61F 2007/0003; A61F 2007/0004; A61F 2007/0071; A61F 2007/0291; A61F 2007/0228; A61F 9/00; A61F 9/026; A61F 9/04; A61F 13/124
See application file for complete search history.

FIG. 1 is a perspective view of a therapeutic eye mask according to an example embodiment of the design, showing an example application and environment of use over the eye region of a person.

FIG. 2 is a perspective view of the therapeutic eye mask shown in FIG. 1.

FIG. 3 is a side view of the therapeutic eye mask shown in FIG. 1 (the opposite side views being mirror images of one another).

FIG. 4 is a front view of the therapeutic eye mask shown in FIG. 1.

FIG. 5 is a back view of the therapeutic eye mask shown in FIG. 1.

FIG. 6 is a top view of the therapeutic eye mask shown in FIG. 1; and,

FIG. 7 is a bottom view of the therapeutic eye mask shown in FIG. 1.

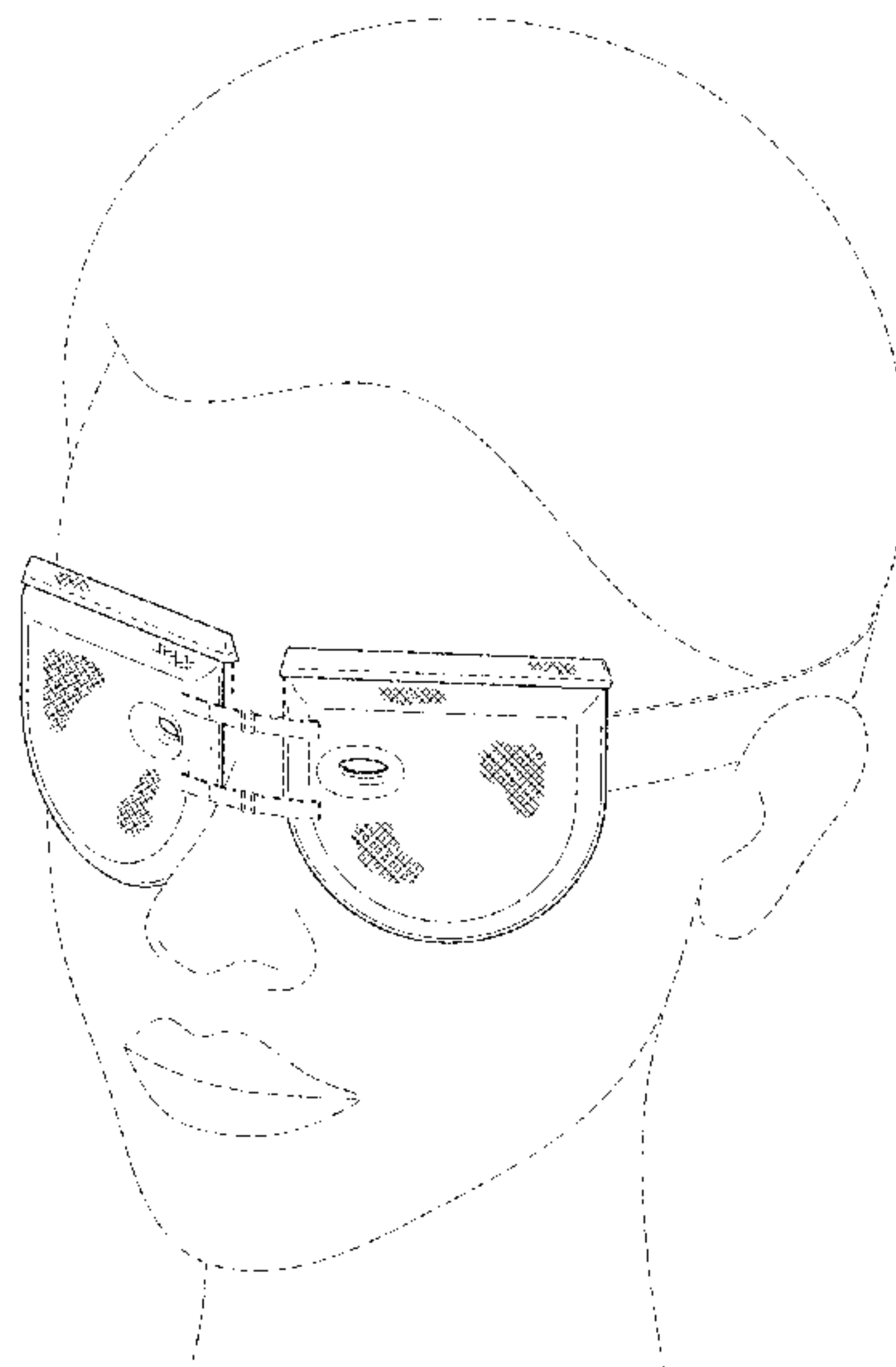
In the drawings, the broken lines depict environmental subject matter only and form no part of the claimed design.

(56) **References Cited**

U.S. PATENT DOCUMENTS

2,066,271 A 12/1936 Irwin
2,882,244 A 4/1959 Milton
3,008,803 A 11/1961 Milton
(Continued)

1 Claim, 3 Drawing Sheets



(56)

References Cited

U.S. PATENT DOCUMENTS

3,010,789 A	11/1961	Milton	8,246,978 B2	8/2012	Kydonieus et al.
3,012,853 A	12/1961	Milton	8,261,734 B2	9/2012	Dodo
3,013,982 A	12/1961	Breck et al.	8,319,002 B2	11/2012	Daniels et al.
3,030,181 A	4/1962	Milton	8,333,793 B2	12/2012	Igaki et al.
3,587,578 A	6/1971	Walker	8,343,203 B2	1/2013	Ishikawa
4,000,028 A	12/1976	Hoey	8,349,806 B2	1/2013	Brubaker et al.
4,001,732 A	1/1977	Gundry	8,357,189 B2	1/2013	Ugajin et al.
4,106,478 A	8/1978	Higashijima	8,409,154 B2	4/2013	Mitra et al.
4,252,119 A	2/1981	Coates	8,420,882 B2	4/2013	Bruder et al.
4,273,621 A	6/1981	Fornoff	8,430,921 B2	4/2013	Wong et al.
4,372,318 A *	2/1983	Viesturs A61F 7/02 607/109	8,455,016 B2	6/2013	Maskin
4,516,564 A	5/1985	Koiso et al.	8,506,539 B2	8/2013	Guillon et al.
4,525,410 A	6/1985	Hagiwara et al.	8,524,973 B2	9/2013	Bruder et al.
4,775,585 A	10/1988	Hagiwara et al.	8,535,363 B1	9/2013	Lewis
4,826,497 A	5/1989	Marcus et al.	8,617,229 B2	12/2013	Korb et al.
4,882,349 A	11/1989	Baglioni	8,636,786 B2	1/2014	Biser
4,897,297 A	1/1990	Zafiroglu	8,642,831 B2	2/2014	Larsen et al.
4,906,466 A	3/1990	Edwards et al.	8,709,039 B2	4/2014	Humphreys
4,919,648 A	4/1990	Sibalis	8,747,888 B2	6/2014	Kydonieus et al.
4,988,053 A	1/1991	Choi	8,778,301 B2	7/2014	Mamelak et al.
5,019,254 A	5/1991	Abrevaya et al.	8,784,391 B1	7/2014	Biser
5,028,435 A	7/1991	Katz et al.	8,795,718 B2	8/2014	Bedard et al.
5,123,900 A	6/1992	Wick	8,900,626 B2	12/2014	Ogawa et al.
5,135,518 A	8/1992	Vera	8,906,427 B2	12/2014	Maskin
5,179,944 A	1/1993	McSymytz	9,115,078 B2	8/2015	Smith et al.
5,300,104 A	4/1994	Gaudreault et al.	9,216,028 B2	12/2015	Korb et al.
5,314,005 A	5/1994	Dobry	9,445,939 B2	9/2016	Bruder et al.
RE34,692 E	8/1994	Becher	9,592,149 B2	3/2017	Hidaka et al.
5,366,491 A	11/1994	Ingram et al.	D783,854 S *	4/2017	Biser D24/206
5,378,475 A	1/1995	Smith et al.	9,642,740 B2	5/2017	Bruder et al.
5,409,472 A	4/1995	Rawlings et al.	9,671,134 B2	6/2017	Saita et al.
5,413,788 A	5/1995	Edwards et al.	9,719,977 B2	8/2017	Korb et al.
5,447,531 A	9/1995	Wood	9,724,230 B2	8/2017	Badawi
5,584,086 A	12/1996	Vanwinkle et al.	9,763,827 B2	9/2017	Kelleher et al.
5,697,961 A	12/1997	Kiamil	9,925,087 B2	3/2018	Bruder et al.
5,846,559 A	12/1998	Hopp	9,999,539 B2	6/2018	Johnson
5,890,487 A	4/1999	Kimmel	10,105,259 B2	10/2018	Bruder et al.
5,900,258 A	5/1999	Engler	2001/0009831 A1	7/2001	Schink et al.
5,935,486 A	8/1999	Bell et al.	2002/0032153 A1	3/2002	Whitehouse
5,977,428 A	11/1999	Bozigian et al.	2002/0193026 A1	12/2002	Ota et al.
5,984,995 A	11/1999	White	2005/0022823 A1	2/2005	Davison et al.
6,017,606 A	1/2000	Sage et al.	2005/0118383 A1	6/2005	Cargill et al.
6,019,782 A	2/2000	Davis et al.	2005/0278008 A1 *	12/2005	Ladmer A61F 7/02 607/109
6,045,820 A	4/2000	Messier	2007/0009583 A1	1/2007	Qvist
6,169,223 B1	1/2001	Mahr et al.	2008/0200885 A1	8/2008	Schwebel
6,353,145 B1	3/2002	Church	2008/0251085 A1	10/2008	Schwebel
6,409,746 B1	6/2002	Igaki et al.	2009/0043365 A1	2/2009	Friedland et al.
6,537,308 B2	3/2003	Burkhart	2009/0104243 A1	4/2009	Utkhede et al.
6,576,004 B2	6/2003	Johnston	2009/0149925 A1	6/2009	MacDonald et al.
6,592,888 B1	7/2003	Jensen et al.	2009/0175926 A1	7/2009	Adams
6,617,490 B1	9/2003	Chen et al.	2009/0287282 A1	11/2009	Biser et al.
6,641,264 B1	11/2003	Schwebel	2009/0287283 A1	11/2009	Biser et al.
6,752,998 B2	6/2004	Verdrel-Lahaxe et al.	2010/0106111 A1	4/2010	Schwebel et al.
6,823,860 B2	11/2004	Igaki et al.	2010/0145469 A1	6/2010	Barralet et al.
6,874,884 B2	4/2005	Schwebel	2011/0208279 A1	8/2011	Sanker
7,036,928 B2	5/2006	Schwebel	2011/0307041 A1	12/2011	Floyd
7,137,965 B2	11/2006	Fischer et al.	2012/0128763 A1	5/2012	Maskin
7,211,070 B2	5/2007	Soroudi	2013/0071322 A1	3/2013	Figuly
7,231,922 B2	6/2007	Davison et al.	2013/0131613 A1	5/2013	Elkins
7,357,500 B2	4/2008	Schwebel	2013/0317460 A1	11/2013	Bruder et al.
7,513,893 B2	4/2009	Soroudi	2014/0142667 A1	5/2014	Biser et al.
7,559,907 B2	7/2009	Krempel et al.	2014/0277303 A1	9/2014	Biser et al.
7,601,168 B2	10/2009	Koby et al.	2014/0288624 A1	9/2014	Wasko et al.
7,652,228 B2	1/2010	Igaki et al.	2015/0182415 A1	7/2015	Olkowski et al.
7,976,573 B2	7/2011	Korb et al.	2016/0120692 A1	5/2016	Chen
7,981,147 B2	7/2011	Korb et al.	2016/0206476 A1	7/2016	Robertson et al.
8,025,689 B2	9/2011	Korb et al.	2017/0049614 A1	2/2017	Paulson
8,034,092 B2	10/2011	Bruder et al.	2017/0252210 A1	9/2017	Bruder
8,109,964 B2	2/2012	Payne	2017/0266035 A1	9/2017	Kuo
8,114,433 B2	2/2012	Huey et al.	2017/0266053 A1	9/2017	Rodriguez
8,202,853 B2	6/2012	Adkins, Jr.	2018/0289531 A1	10/2018	Thomas et al.
8,235,954 B2	8/2012	Soroudi	2018/0338864 A1	11/2018	Paulson
			2019/0000666 A1	1/2019	Bruder
			2019/0053940 A1	2/2019	Biser et al.
			2019/0083299 A1	3/2019	Rozanski
			2019/0125579 A1	5/2019	Habib

(56)

References Cited

U.S. PATENT DOCUMENTS

2019/0159929 A1 5/2019 Bruder
 2019/0183671 A1 6/2019 Baltazar
 2019/0216639 A1* 7/2019 Bruder A61F 7/02

FOREIGN PATENT DOCUMENTS

EP 0457977 A1 11/1991
 EP 0691113 A1 1/1996
 EP 1652536 A1 5/2006
 EP 1328225 B1 3/2010
 FR 2370479 A1 6/1978
 GB 1315431 5/1973
 GB 1417962 12/1975
 GB 2228682 A 9/1990
 GB 2259858 A 3/1993
 JP H07112021 A 5/1995
 WO 9213576 A1 8/1992
 WO 0178797 A1 10/2001
 WO 0222060 A1 3/2002
 WO 2014143139 A1 9/2014

OTHER PUBLICATIONS

Cerdak Corporation, Home page, online, accessed Jun. 30, 2015
 <<http://www.cerdak.co.za/Home/>>.

Cerdak Corporation, "Products," online, accessed Jun. 30, 2015
 <<http://www.cerdak.co.za/Products/>>.
 File History for U.S. Appl. No. 10/341,806.
 File History for U.S. Appl. No. 13/291,059.
 Healthcare Packaging; date unknown; 3 pages.
 Healthcare Packaging; Examining Transdermal Delivery Develop-
 ments; May 1, 2013; 5 pages.
 International Preliminary Examination report for PCT/US01/28908
 dated May 27, 2003.
 International Search Report for PCT/US01/28908 dated Jan. 24,
 2002.
 International Search Report for PCT/US13/53221 dated Oct. 17,
 2013.
 Non-Patent Literature cited by EPO in Examination of EP 0691113
 dated May 31, 1995.
 Patent Owner Amended Infringement Contentions for U.S. Pat. No.
 8,420,882 filed Jun. 24, 2014.
 Supplementary European Search Report for EP Application 01 97
 3065 dated Aug. 1, 2006.
 "Technology helps heal chronic wounds," Mraz, S. 2011, Machine
 Design, online, 5 pp., accessed Jun. 30, 2015. <<http://machinedesign.com/medical/technology-helps-heal-chronic-wounds/>>.
 U.S. Appl. No. 60/232,826, filed Sep. 15, 2000.
 U.S. Appl. No. 60/349,335, filed Jan. 14, 2002.
 Zmedica—QuikClot Sport Silver; date unknown; 1 page.

* cited by examiner

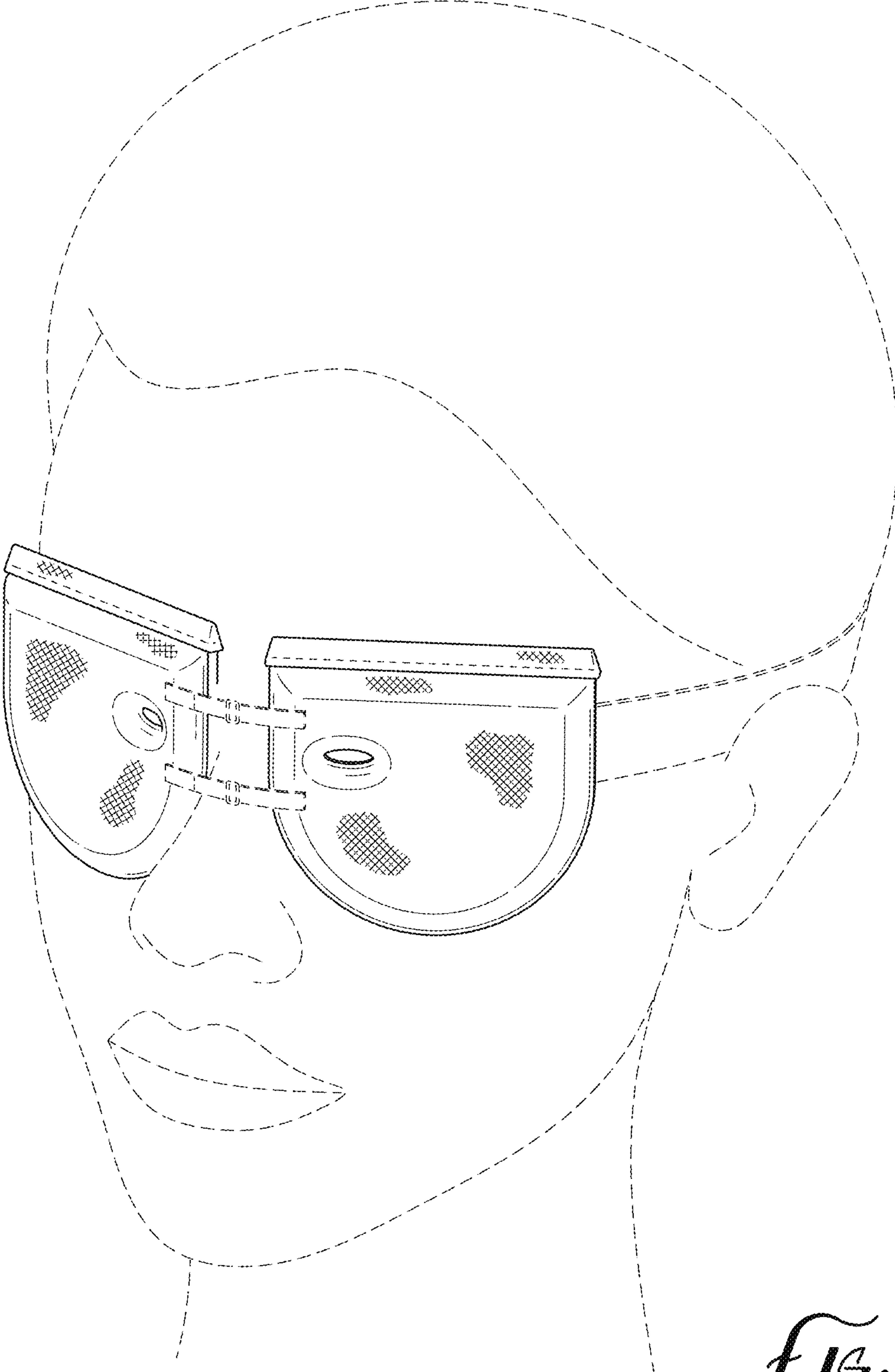


FIG. 1

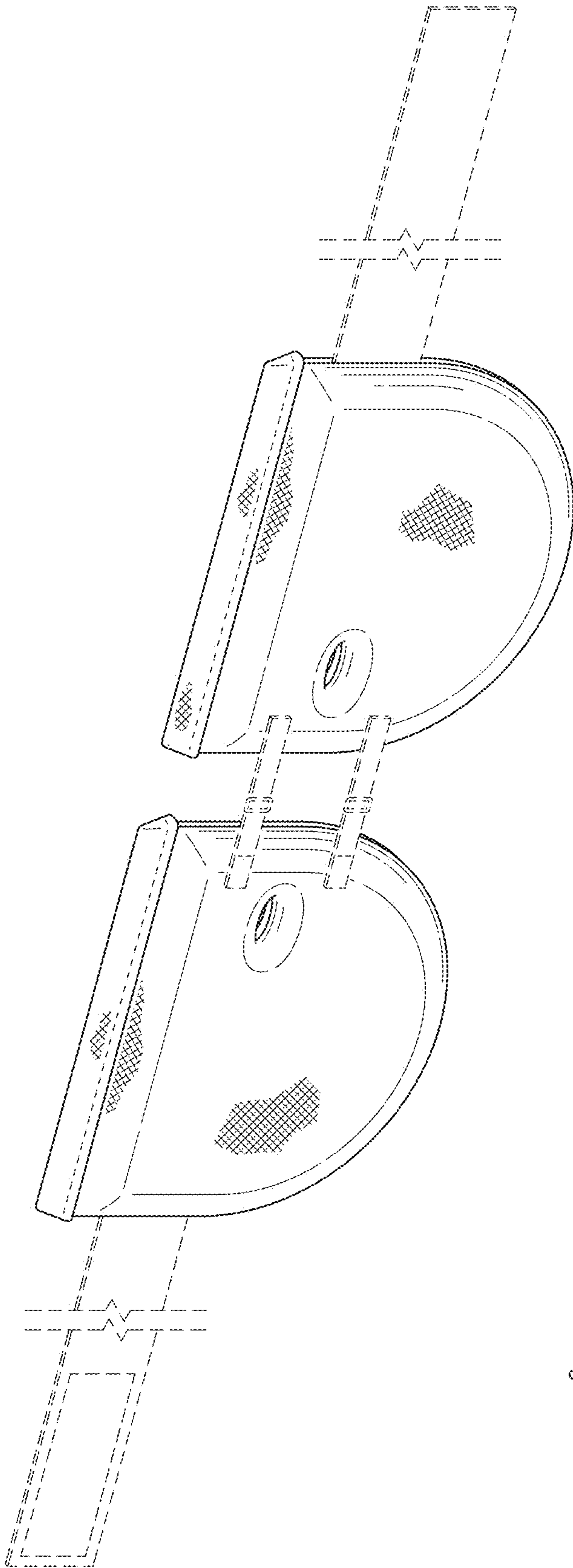


FIG. 2

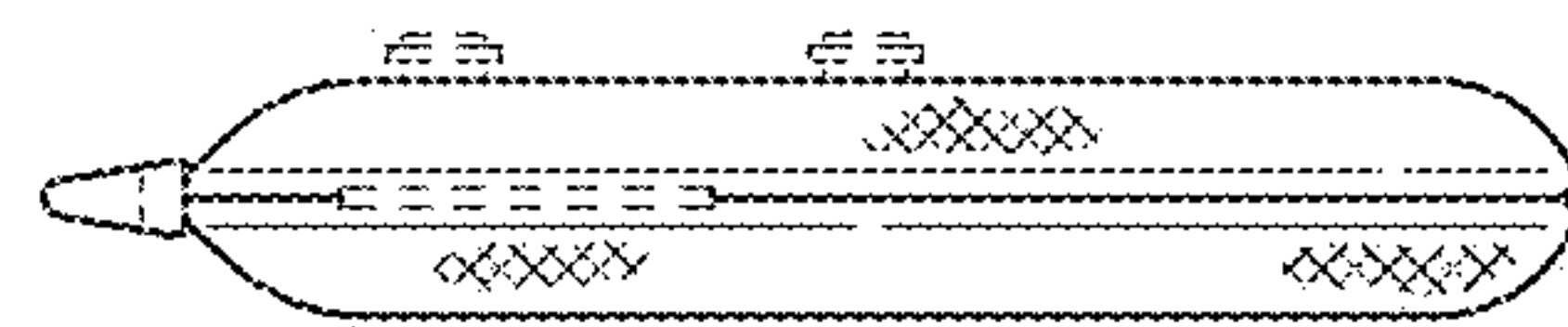


FIG. 3

FIG. 4

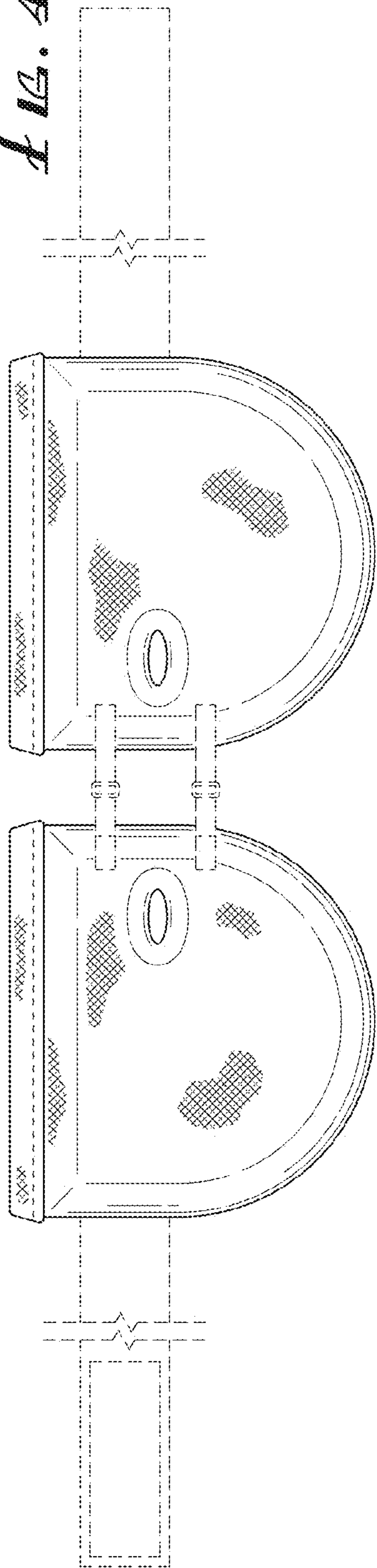


FIG. 5

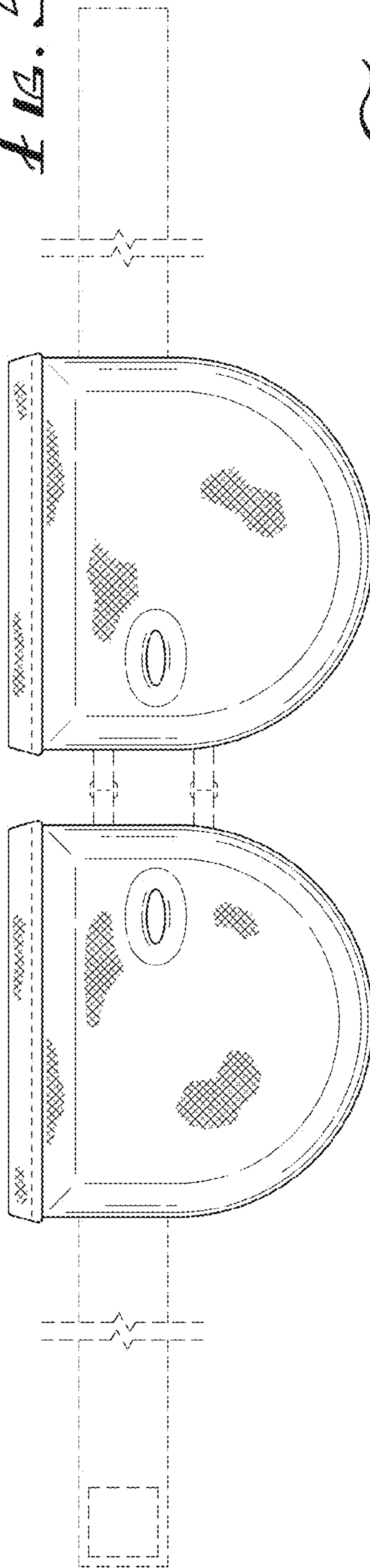


FIG. 6



FIG. 7

