



US00D870903S

(12) **United States Design Patent**
Weisman

(10) **Patent No.:** **US D870,903 S**

(45) **Date of Patent:** **** Dec. 24, 2019**

(54) **ACCESSORY FOR CUSHIONING**
(71) Applicant: **Nancy Weisman**, East Haven, CT (US)
(72) Inventor: **Nancy Weisman**, East Haven, CT (US)
(**) Term: **15 Years**

(21) Appl. No.: **29/639,846**

(22) Filed: **Mar. 9, 2018**

(51) **LOC (12) Cl.** **28-03**

(52) **U.S. Cl.**
USPC **D24/200; D24/215**

(58) **Field of Classification Search**
USPC D24/141, 200, 214–215; 601/46, 48, 54,
601/84, 135, DIG. 16
CPC A61H 19/34; A61H 19/44; A61H 2201/0119;
A61H 2201/0134
See application file for complete search history.

(56) **References Cited**

U.S. PATENT DOCUMENTS

D347,283 S * 5/1994 Von Winckler D24/200
D545,444 S * 6/2007 Cianfrani D24/200
D569,006 S * 5/2008 Imboden D24/215
D576,736 S * 9/2008 Hagege D24/215
D633,216 S * 2/2011 Stevens D24/215

D648,441 S * 11/2011 Rivero D24/200
D771,254 S * 11/2016 Gopichandran D24/141
D827,851 S * 9/2018 Pounders D24/215
D843,004 S * 3/2019 Lampert D24/215
2019/0045932 A1* 2/2019 Turner A61H 19/44

* cited by examiner

Primary Examiner — Wan Laymon

(74) *Attorney, Agent, or Firm* — Nicholas R. Lewis, P.A.

(57) **CLAIM**

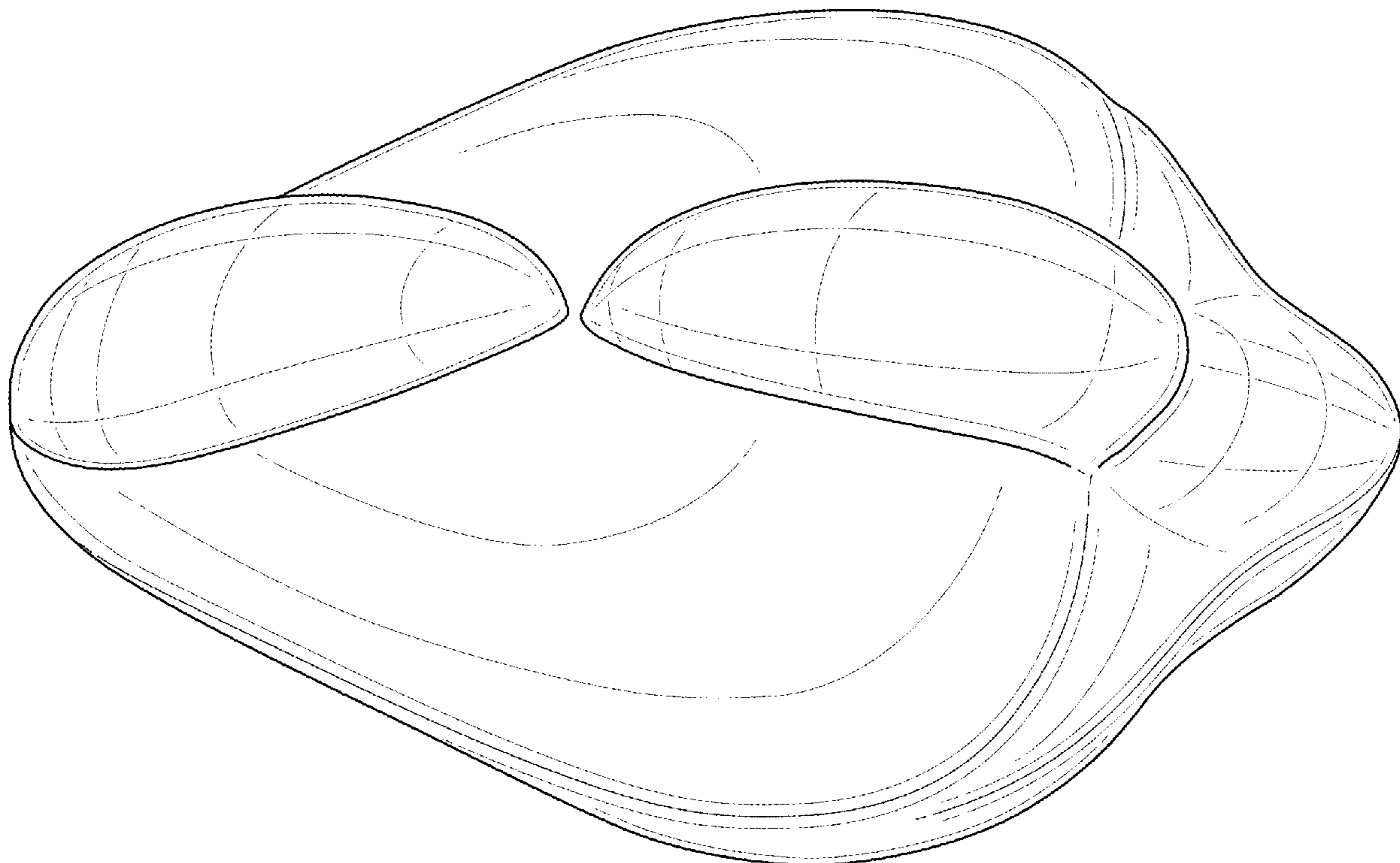
The ornamental design for an accessory for cushioning, as shown and described.

DESCRIPTION

FIG. 1 is a front perspective view of an example of the accessory for cushioning;
FIG. 2 is a rear perspective view thereof;
FIG. 3 is another rear perspective view thereof;
FIG. 4 is a front view thereof;
FIG. 5 is a rear view thereof;
FIG. 6 is a first side view thereof;
FIG. 7 is a second side view thereof;
FIG. 8 is a top view thereof; and,
FIG. 9 is a bottom view thereof.

The broken lines shown in the drawings illustrate portions of the accessory for cushioning that form no part of the claimed design.

1 Claim, 9 Drawing Sheets



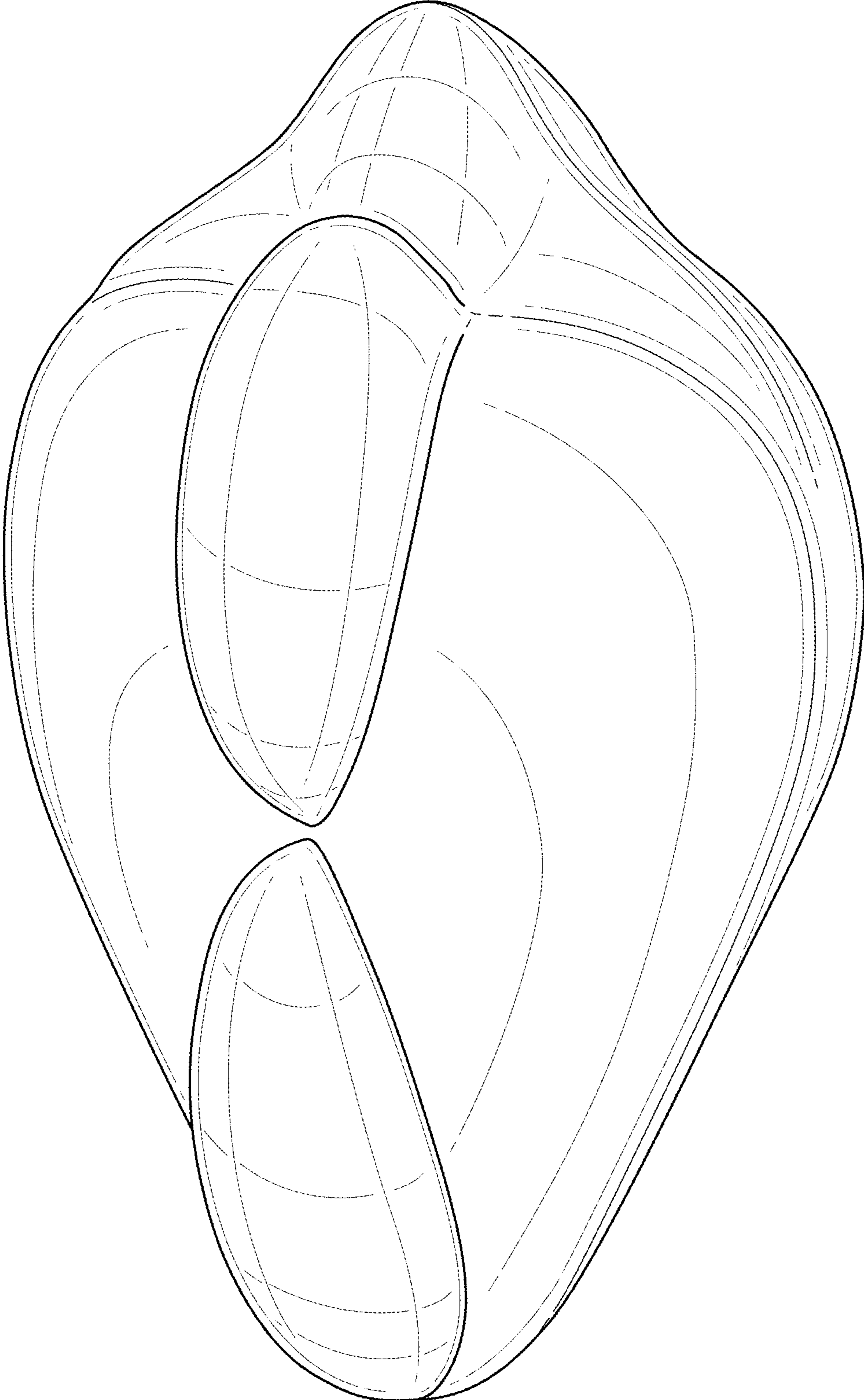


FIG. 1

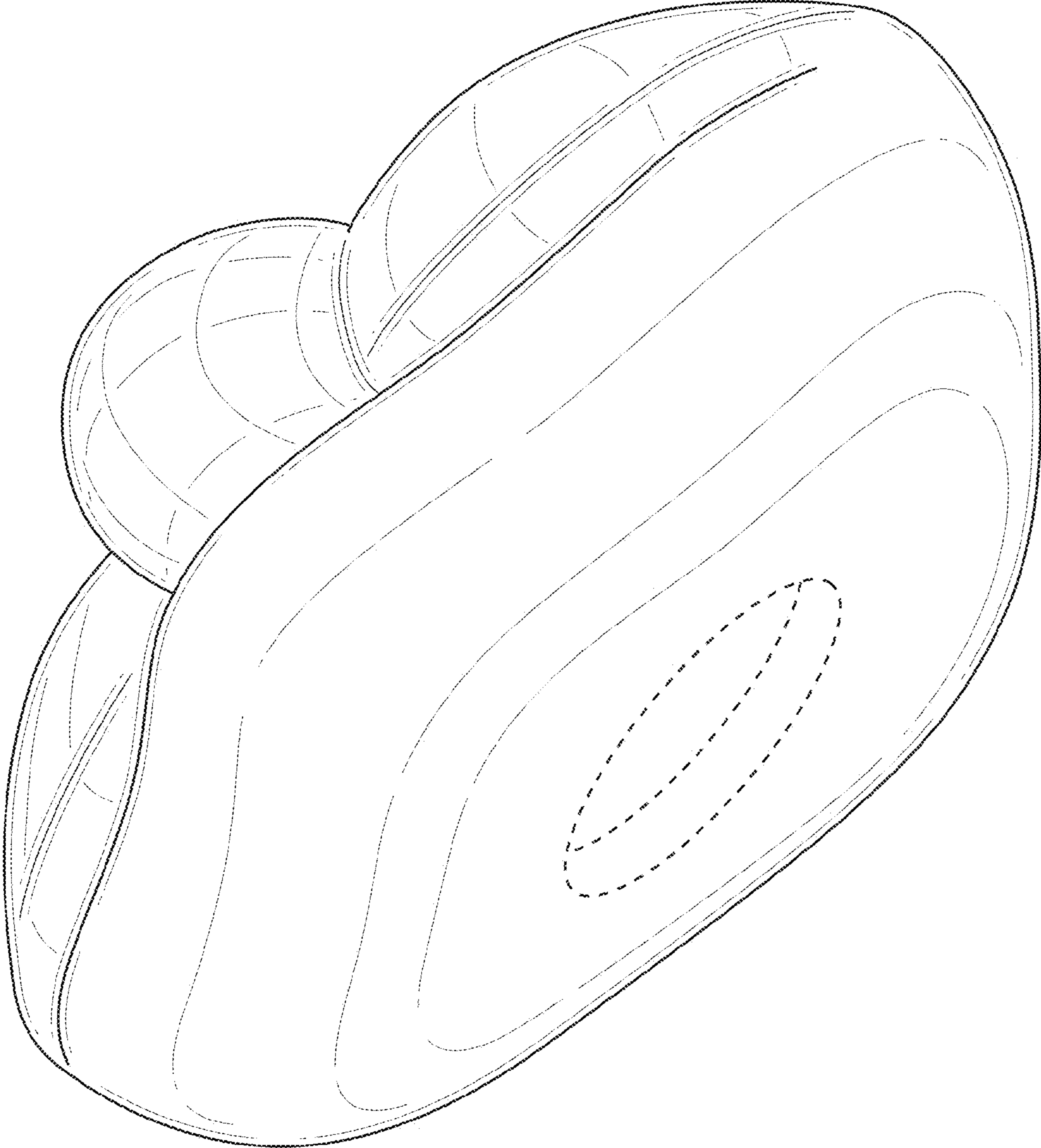


FIG. 2

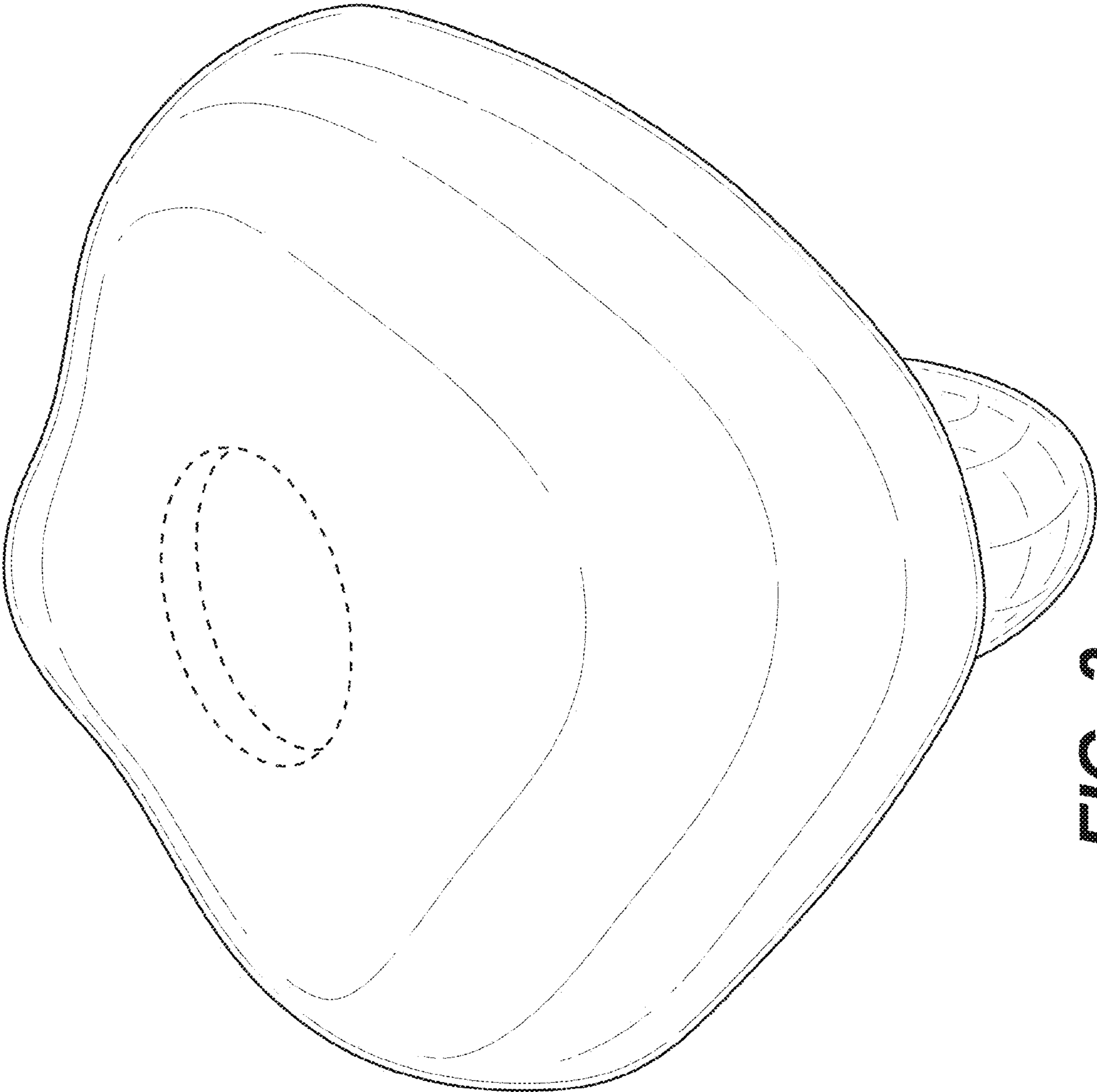


FIG. 3

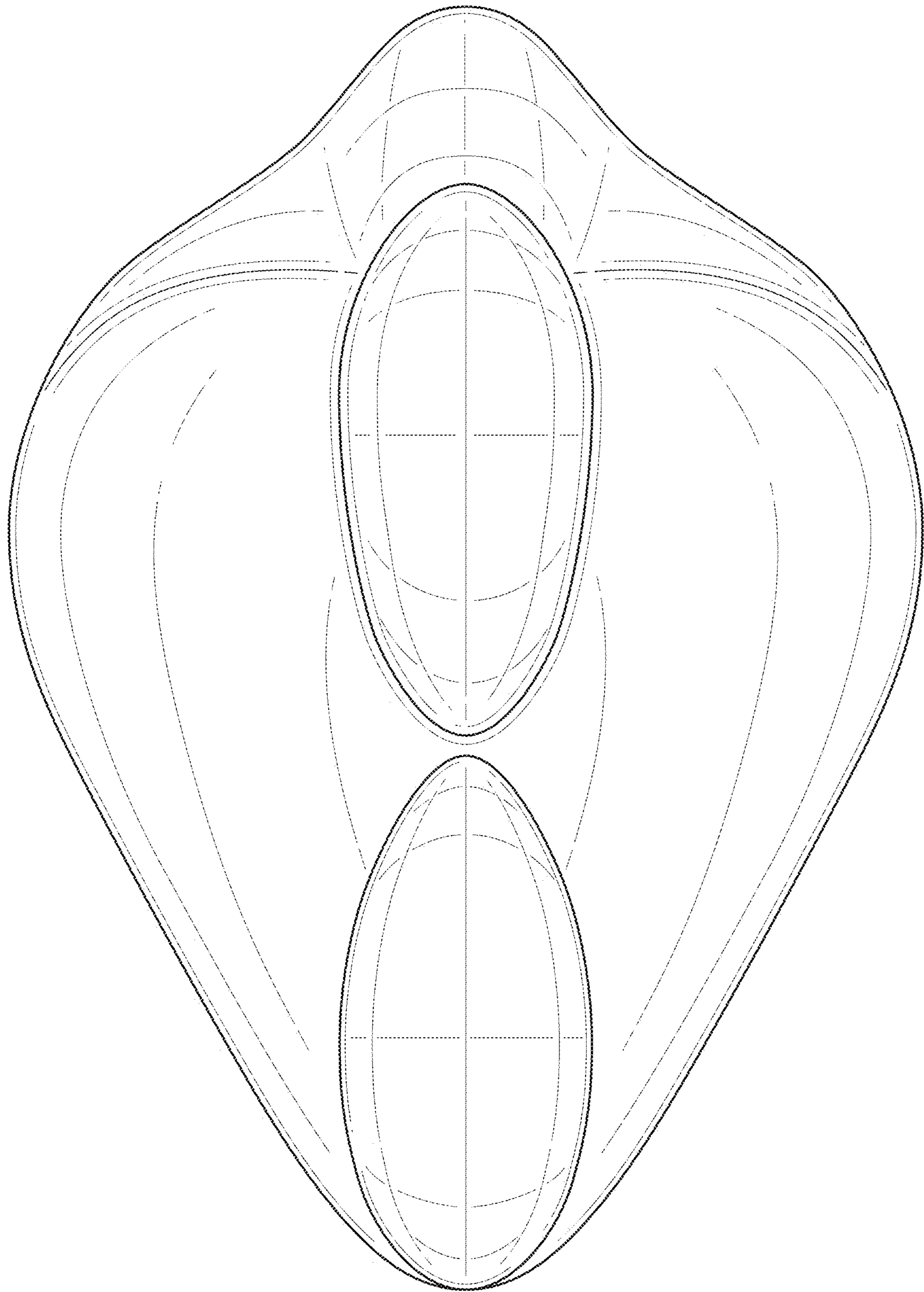


FIG. 4

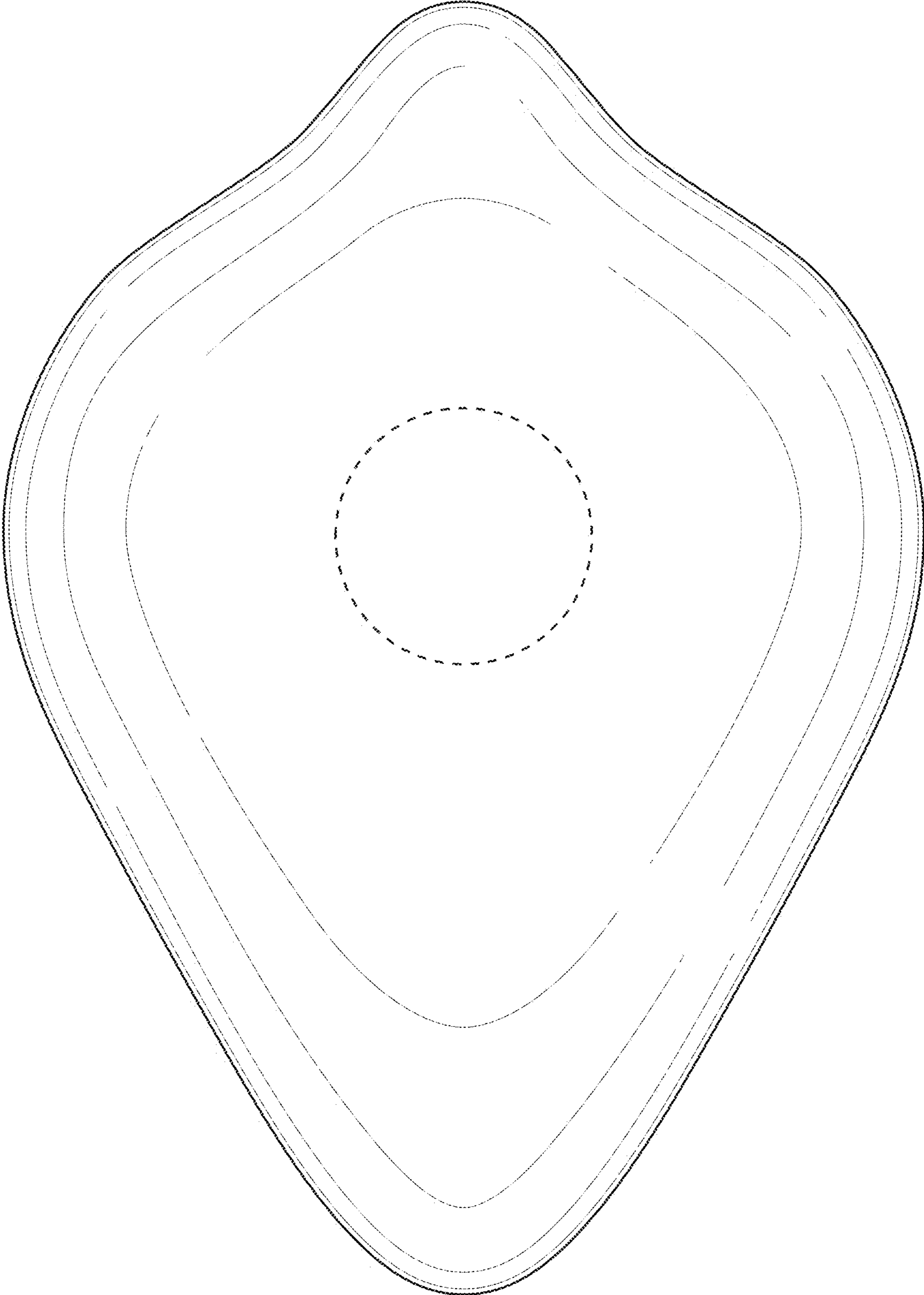


FIG. 5

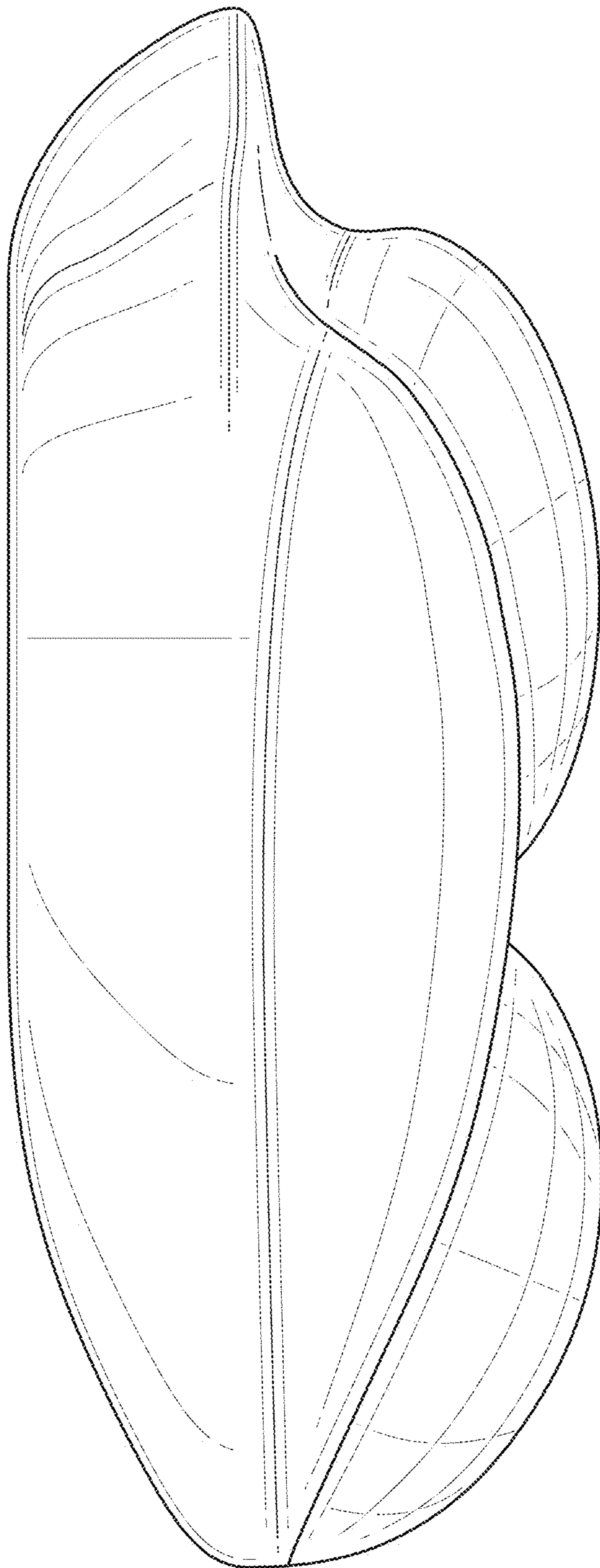


FIG. 6

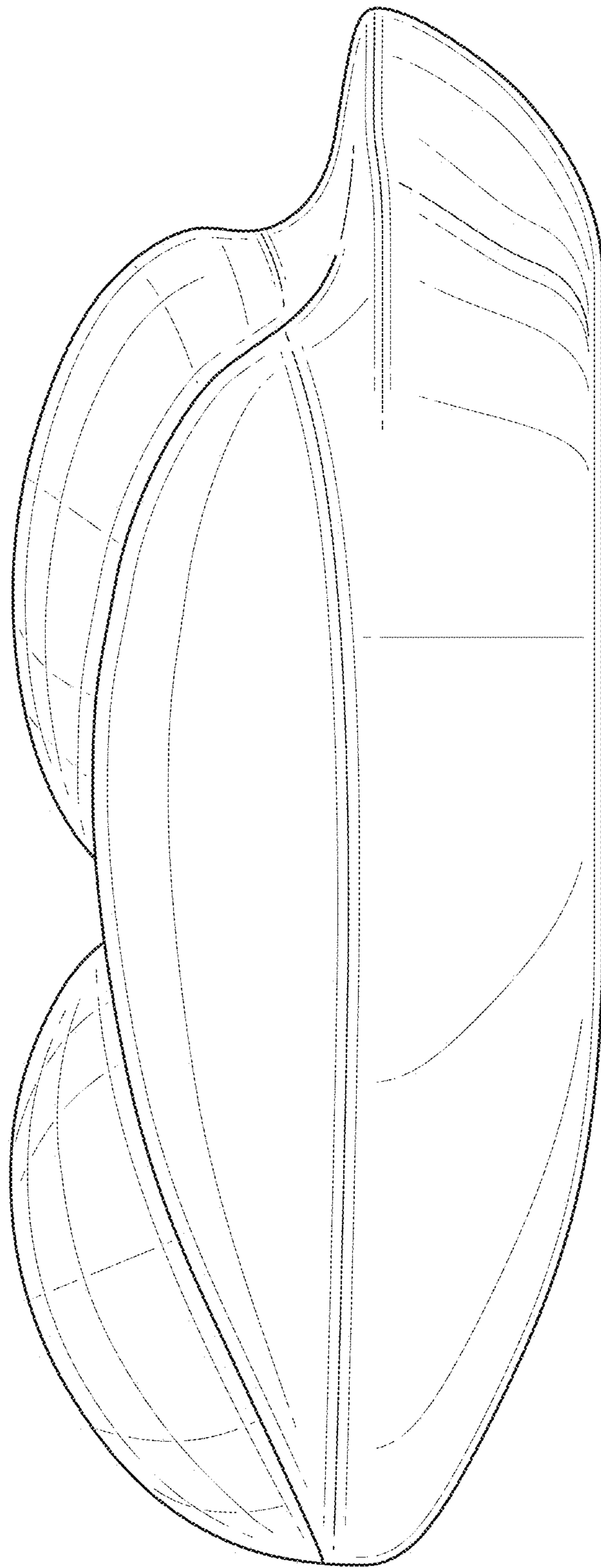


FIG. 7

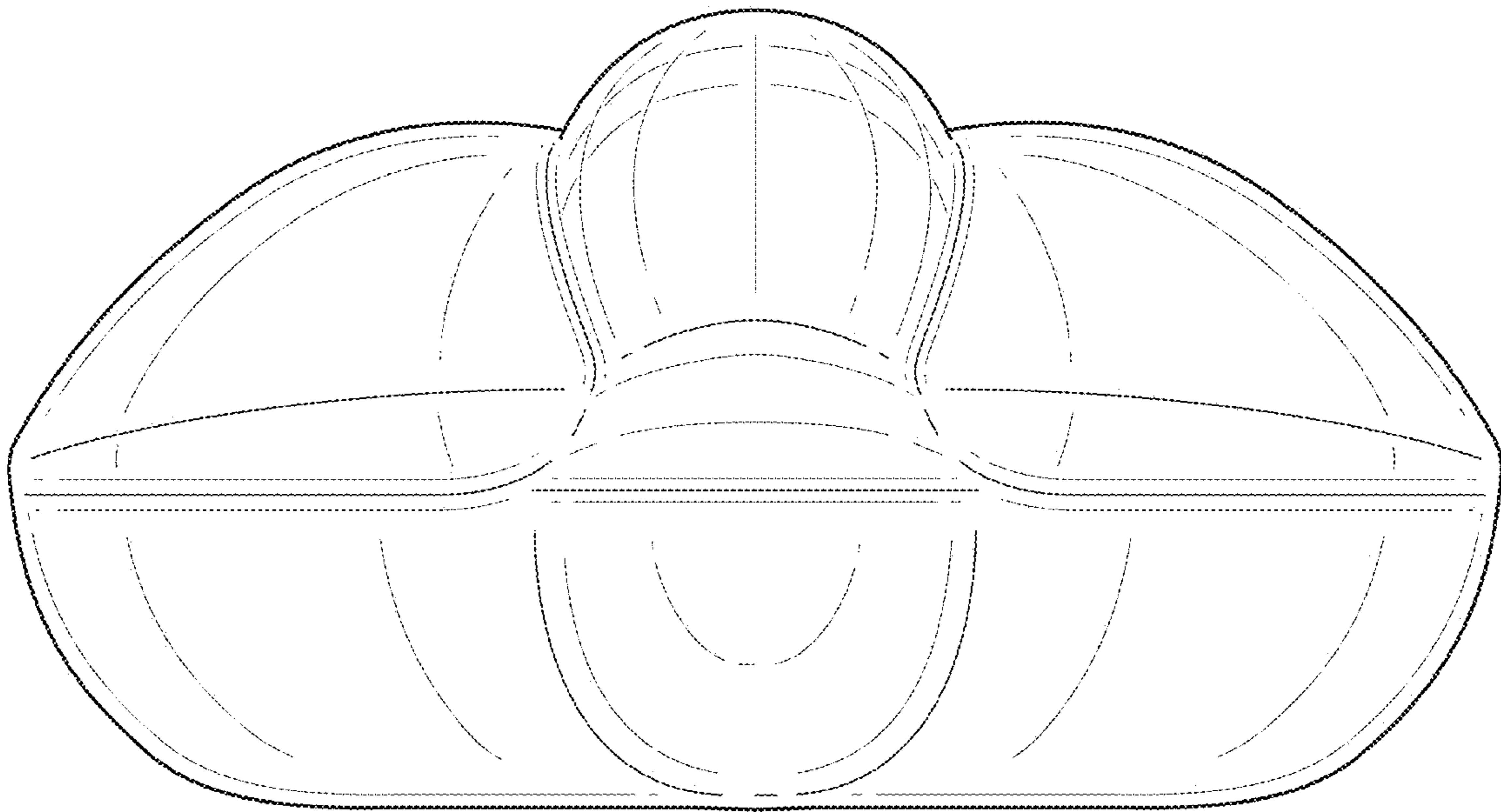


FIG. 8

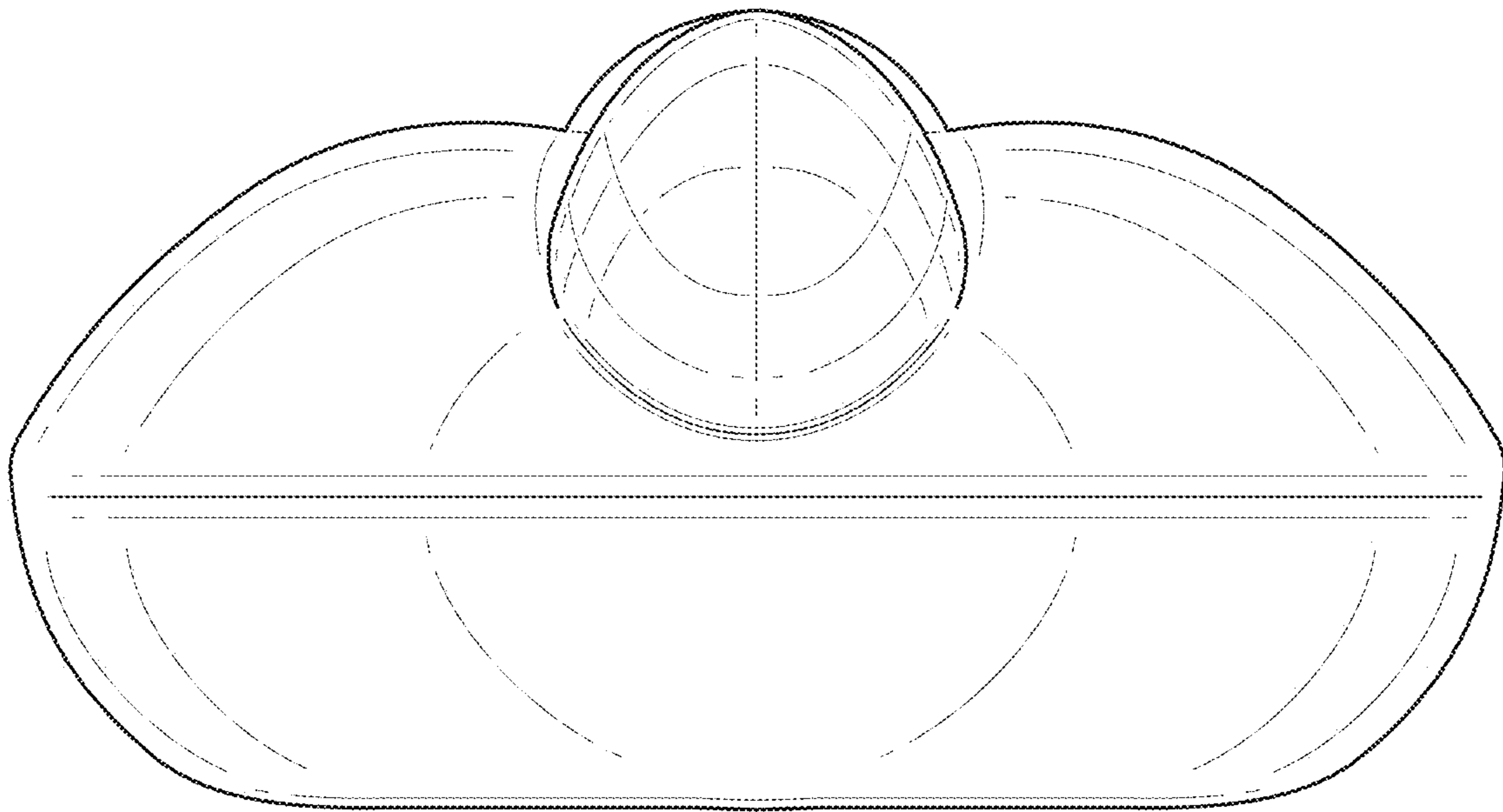


FIG. 9