



US00D870902S

(12) **United States Design Patent** (10) **Patent No.:** **US D870,902 S**
Peng (45) **Date of Patent:** **** Dec. 24, 2019**

(54) **TEETHING MITTEN**
(71) Applicant: **Shenzhen Kean Silicone Product Co., Ltd**, Shenzhen, Guangdong (CN)
(72) Inventor: **Eric Peng**, Guangdong (CN)
(73) Assignee: **SHENZHEN KEAN SILICONE PRODUCT CO., LTD**, Shenzhen (CN)

D742,018 S * 10/2015 Frazier D24/195
D750,791 S * 3/2016 Hardisty D24/195
D750,792 S * 3/2016 Darnley D24/194
D822,220 S * 7/2018 Boothby D24/194
D840,634 S * 2/2019 Steward D2/622
2014/0207187 A1* 7/2014 Kiraly A41D 19/0037
606/223
2018/0055741 A1* 3/2018 Hyslop A61J 17/02

(**) Term: **15 Years**
(21) Appl. No.: **29/645,548**
(22) Filed: **Apr. 27, 2018**

(30) **Foreign Application Priority Data**

Dec. 4, 2017 (CN) 2017 3 0610445

(51) **LOC (12) Cl.** **24-04**

(52) **U.S. Cl.**
USPC **D24/195**; D24/194

(58) **Field of Classification Search**
USPC D24/193, 194, 195, 214; D1/106, 107,
D1/115, 125, 199; D21/418, 483, 496,
D21/576, 584, 621, 628, 650, 684;
D29/113, 118, 121.2; D30/160; D2/605,
D2/606, 607, 614, 622, 980, 983, 984
CPC A61J 17/001; A61J 17/02
See application file for complete search history.

(56) **References Cited**

U.S. PATENT DOCUMENTS

2,115,405 A * 4/1938 Allen A61J 17/02
606/235
D381,751 S * 7/1997 Lun D24/194
6,116,191 A * 9/2000 Suchowski A01K 15/026
119/707
D528,251 S * 9/2006 Lion D29/118
D588,706 S * 3/2009 Williams D24/195
D593,278 S * 6/2009 Kimm D2/622

OTHER PUBLICATIONS

“Soyar Colorful Baby Teething Mittens”. Found online Apr. 29, 2019 at amazon.co.uk. Page dated Oct. 26, 2017. Retrieved from https://www.amazon.co.uk/...p=e2bfafb5-111e-4906-b089-5d691a51d45f&pd_rd_wg=bTGIf&pf_rd_r=P1F9950QDD7GWBRYGA7W&pd_rd_r=4925c147-6ab0-11e9-860b-f5e05e7153b6.*

(Continued)

Primary Examiner — Kendra Leslie Hamilton

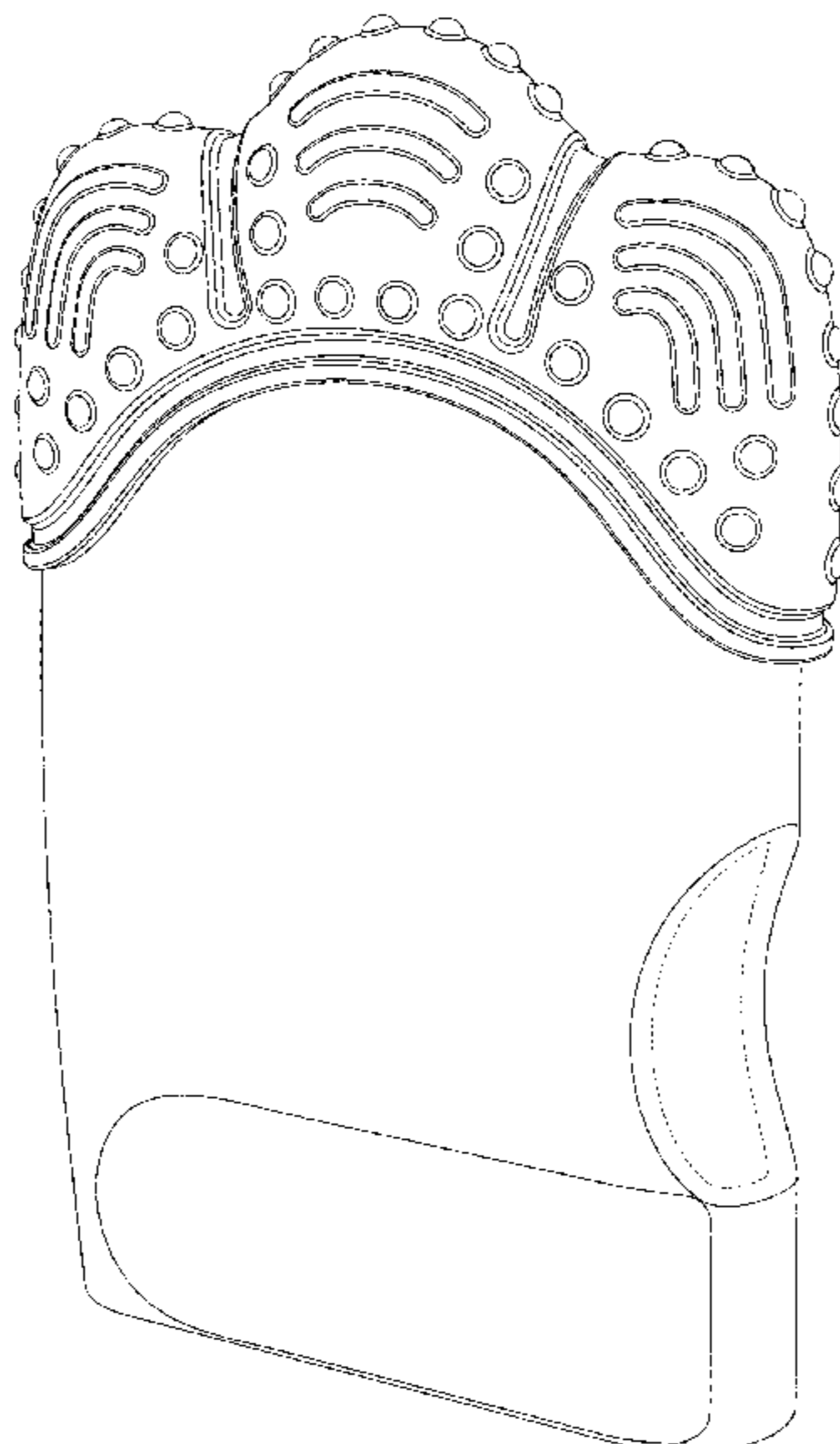
(57) **CLAIM**

The ornamental design for a teething mitten, as shown and described.

DESCRIPTION

FIG. 1 is a front elevational view of a teething mitten showing my new design;
FIG. 2 is a rear elevational view thereof;
FIG. 3 is left side view thereof;
FIG. 4 is a right side view thereof;
FIG. 5 is a top plan view thereof;
FIG. 6 is a bottom plan view thereof;
FIG. 7 is a top, front and right side perspective view thereof;
FIG. 8 is a front perspective view thereof;
FIG. 9 is a left side perspective view thereof; and,
FIG. 10 is a bottom, front and right side perspective view thereof.
In the drawings, the broken lines indicate boundaries of the claimed design.

1 Claim, 10 Drawing Sheets



(56)

References Cited

OTHER PUBLICATIONS

“Goamz Teething Mitten”. Found online Apr. 29, 2019 at amazon.co.uk. Page dated Dec. 15, 2017. Retrieved from https://www.amazon.co.uk/Teething-Mitten-Silicone-Teether-Soother/dp/B07BK3W34W/ref=sr_1_38?keywords=teething+mitten&qid=1556564089&s=gateway&sr=8-38.*

“MonkeyTots Teething Mitten”. Found online Jul. 22, 2019 at amazon.co.uk. Page dated Jun. 22, 2018. Retrieved from https://www.amazon.co.uk/...wg=hIWMU&pf_rd_p=18edf98b-139a-41ee-bb40-d725dd59d1d3&pf_rd_r=AQ8R3VKKFGCQFH9S4SHS&psc=1&refRID=AQ8R3VKKFGCQFH9S4SHS.*

“Delight Paw Baby Teething Mitten”. Found online Apr. 29, 2019 at amazon.com. Page dated Sep. 1, 2018. Retrieved from https://www.amazon.com/Delight-Paw-Teething-Designed-Soothing/dp/B07HLVJQDR/ref=cm_cr_arp_d_product_top?ie=UTF8&th=1.*

* cited by examiner

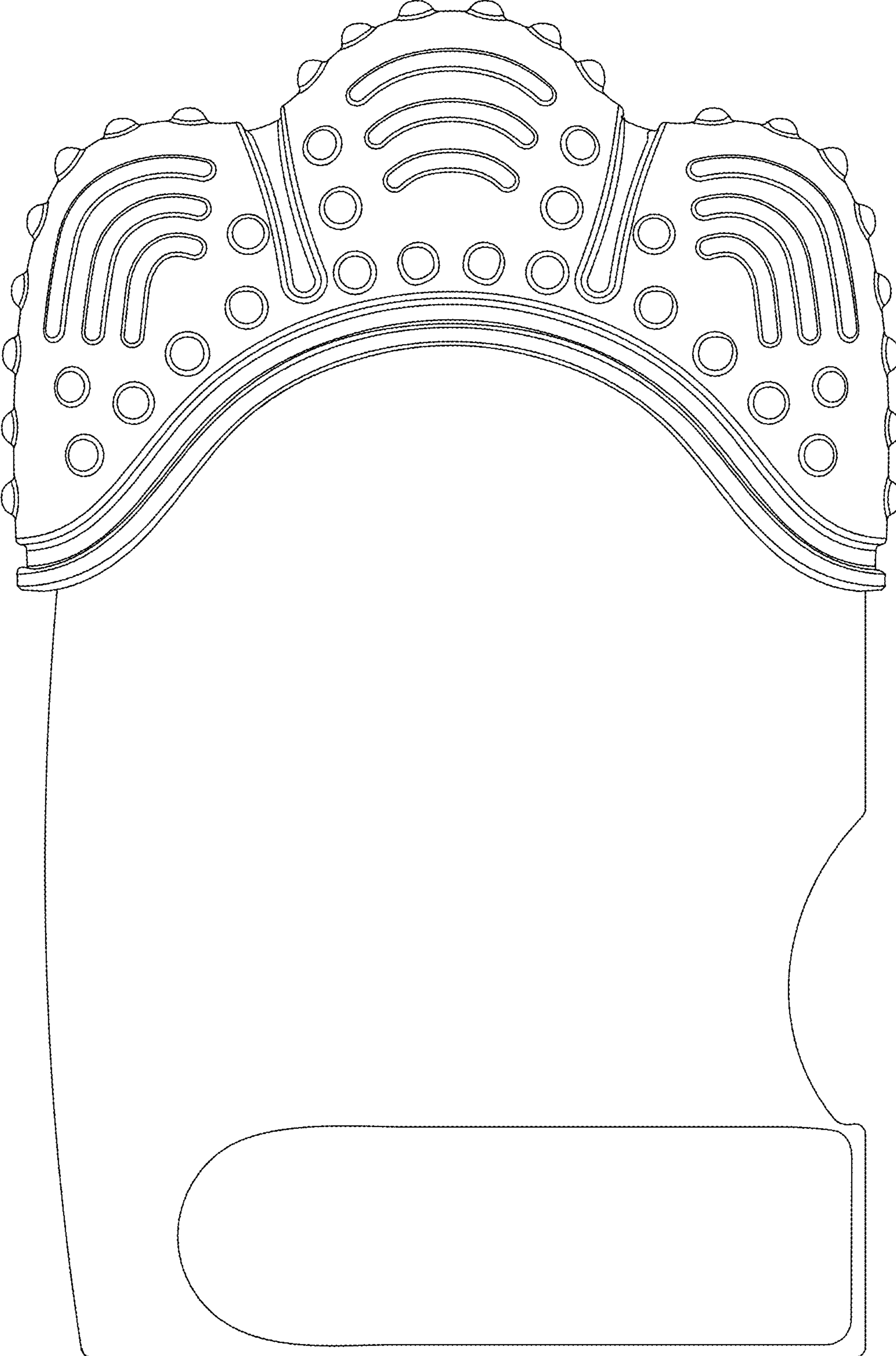


FIG. 1

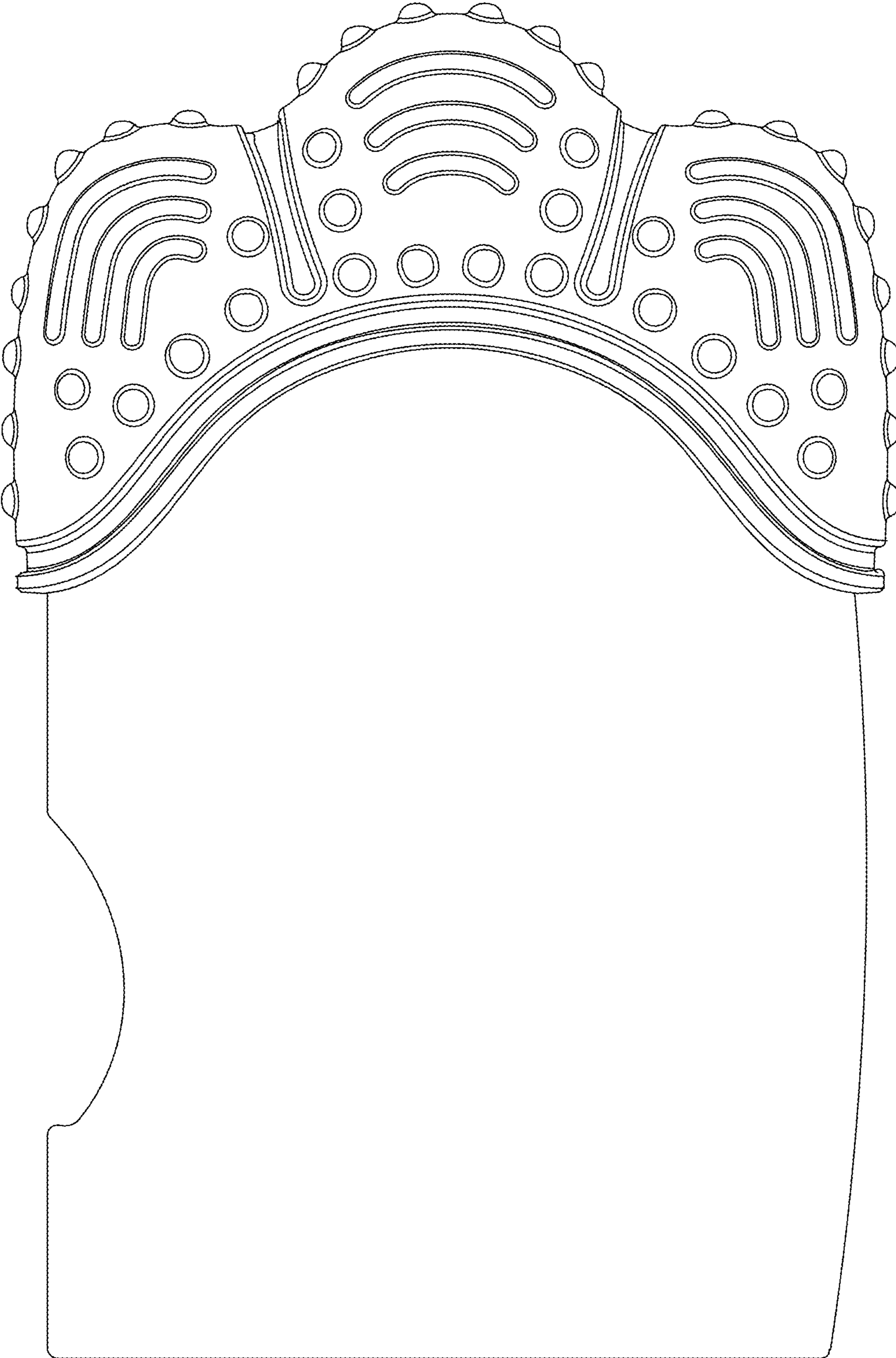


FIG. 2

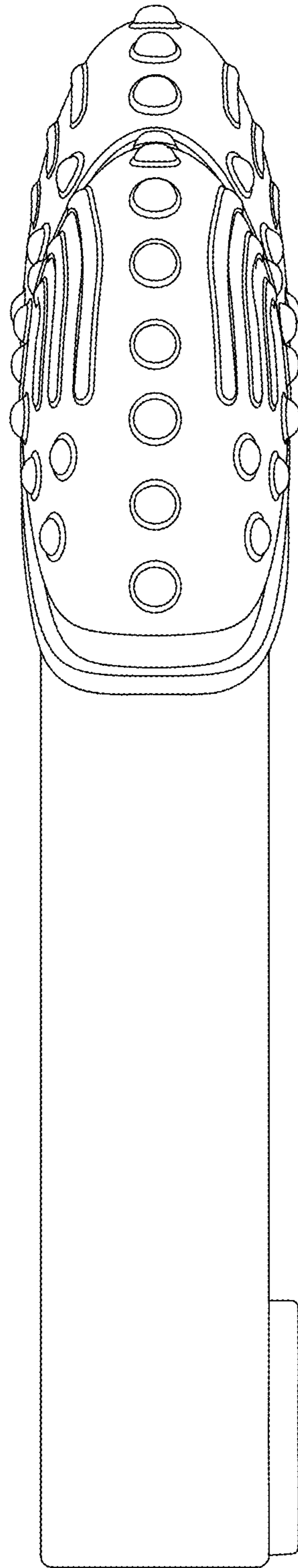


FIG. 3

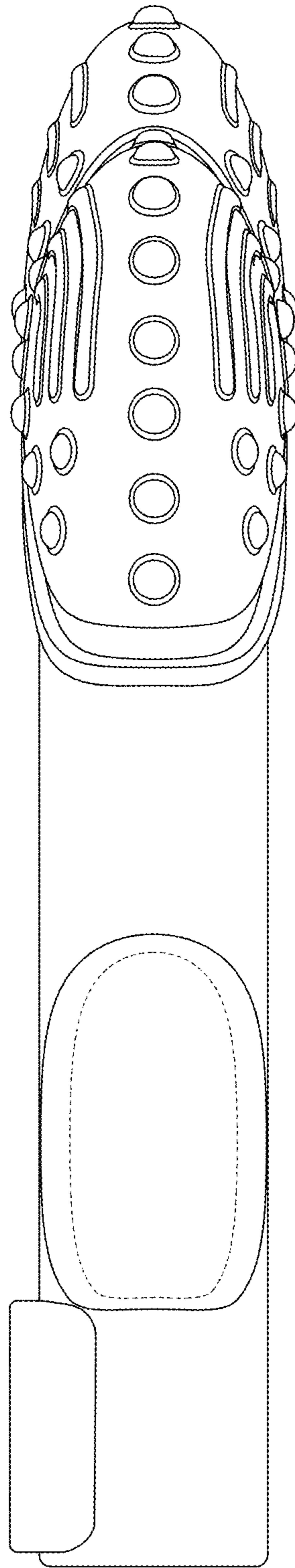


FIG. 4

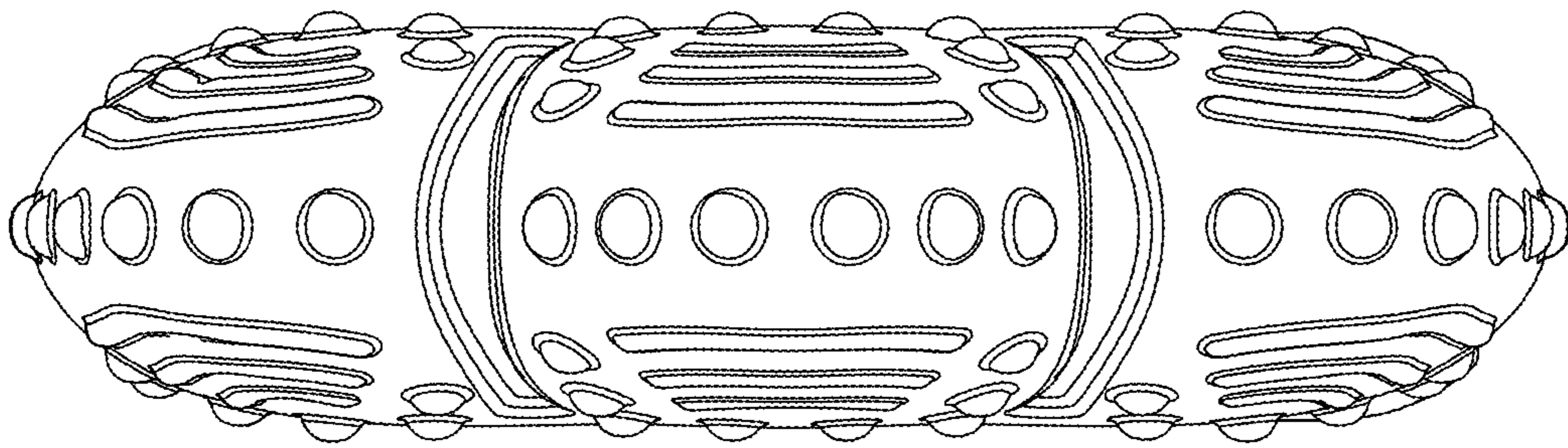


FIG. 5

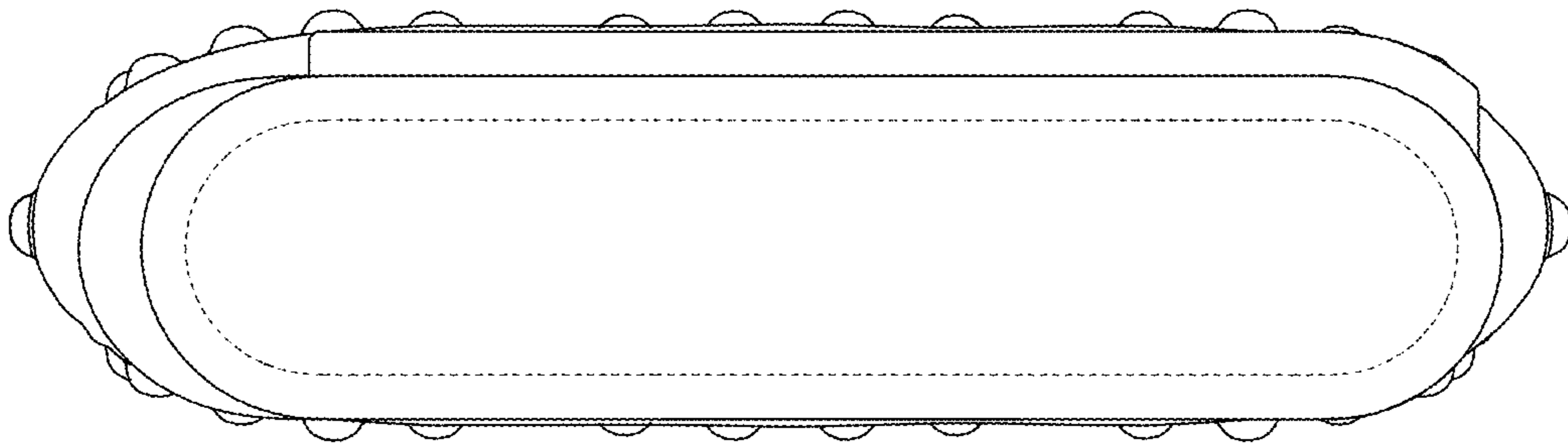


FIG. 6

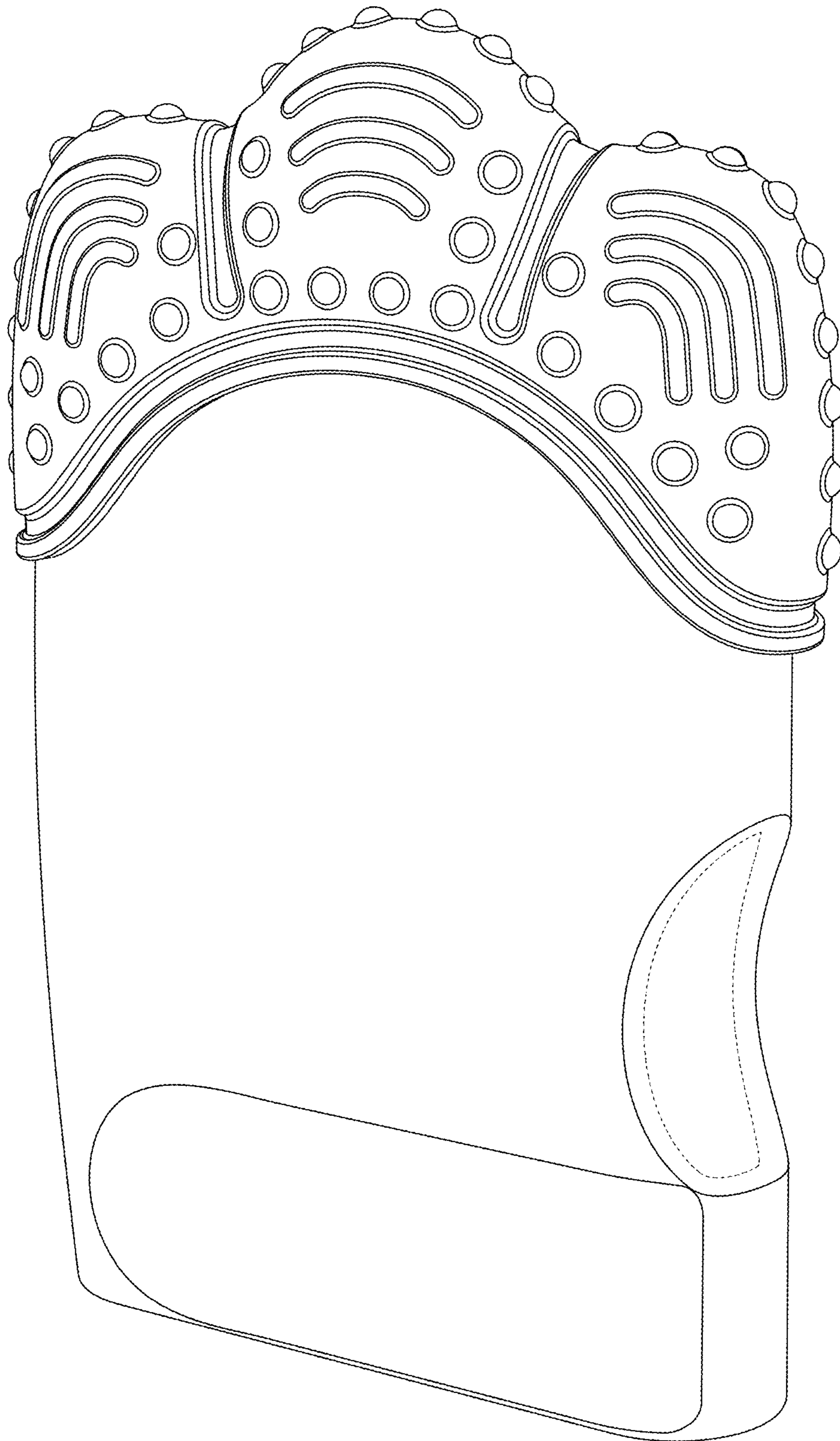


FIG. 7

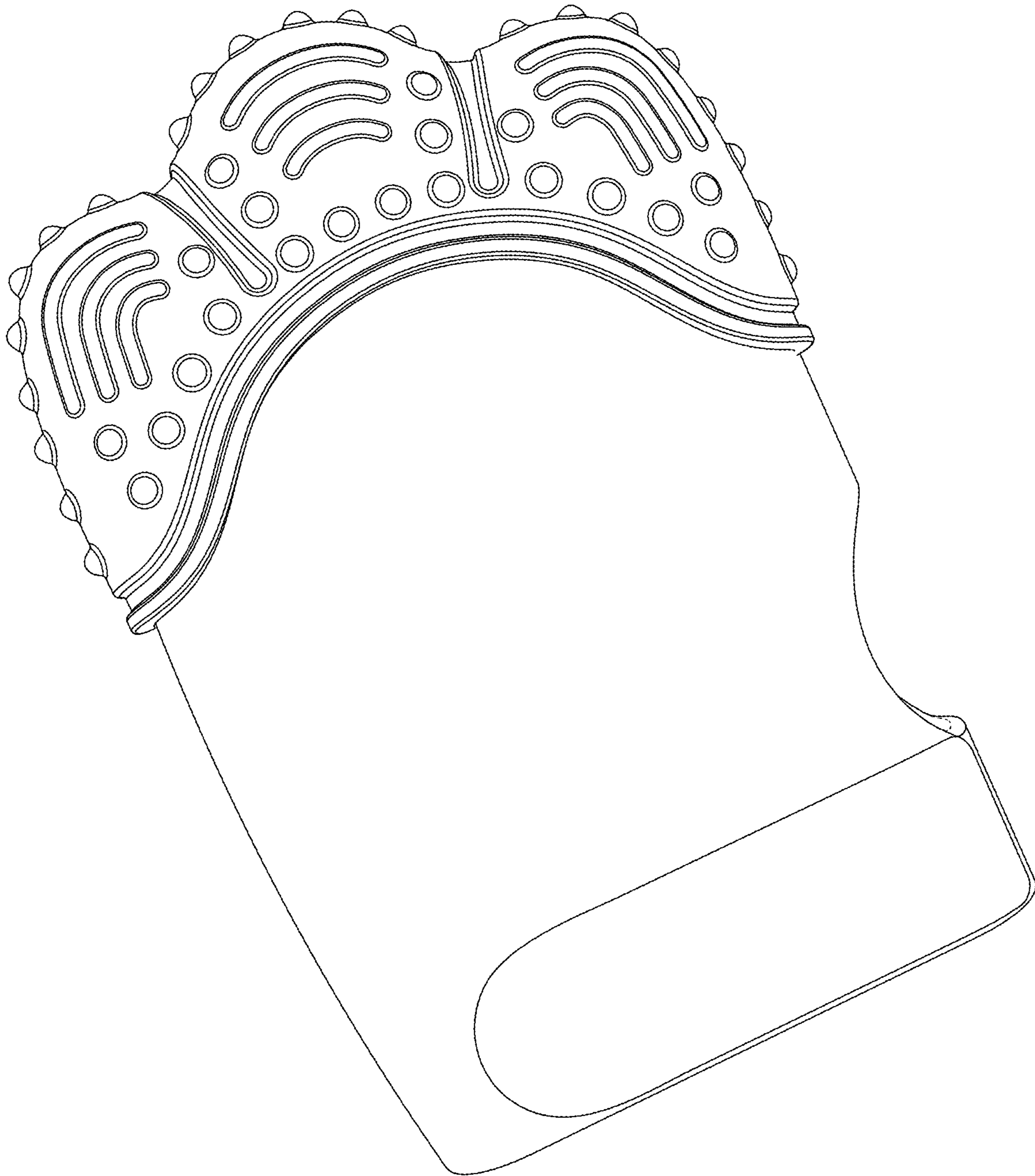


FIG. 8

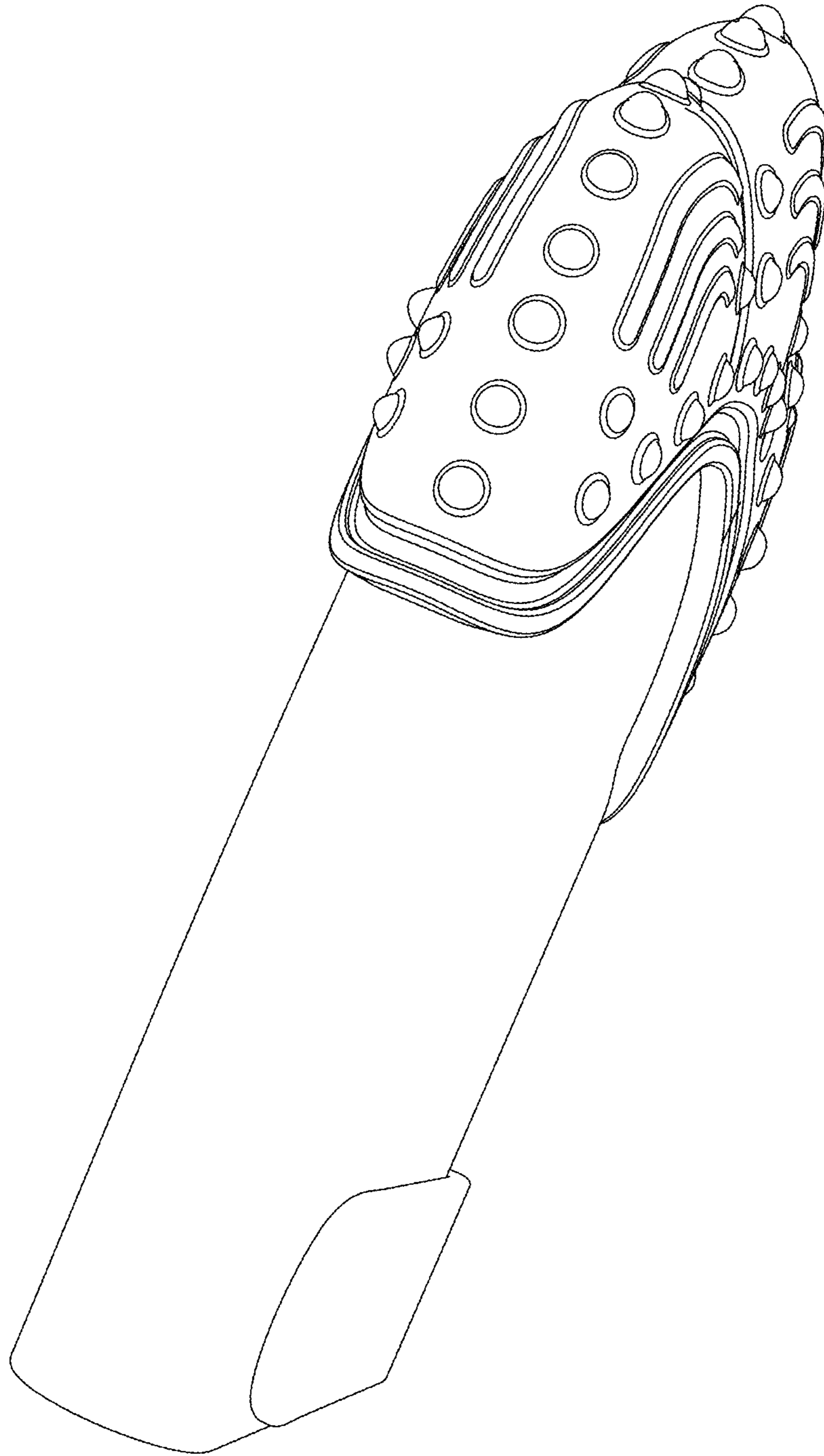


FIG. 9

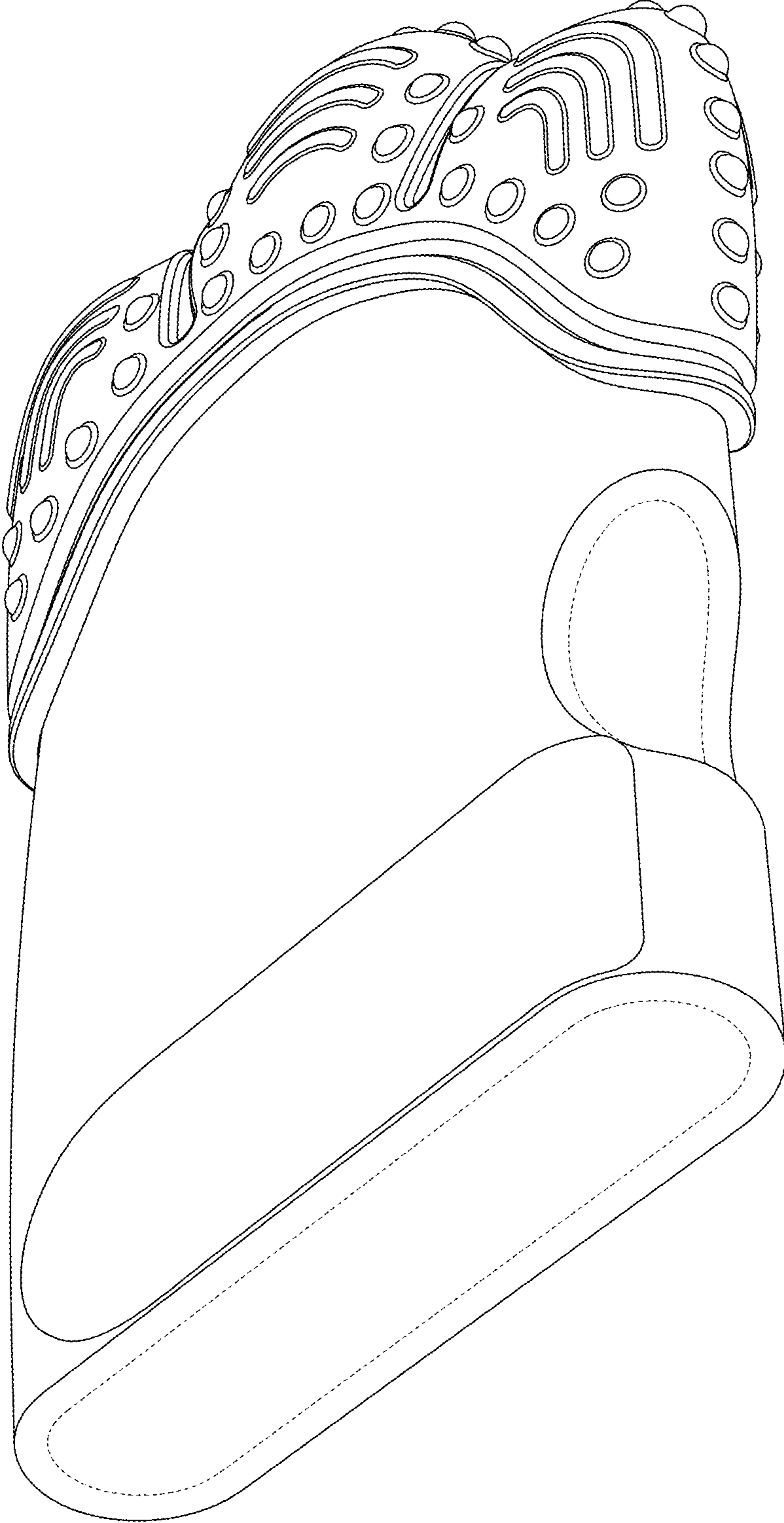


FIG. 10