

US00D870896S

(12) **United States Design Patent** (10) **Patent No.:** **US D870,896 S**
Komaki et al. (45) **Date of Patent:** **** Dec. 24, 2019**

(54) **MEDITATION-ASSISTING INSTRUMENT WITH PULSIMETER FUNCTION**

(71) Applicant: **Kabushiki Kaisha Toshiba**, Minato-ku, Tokyo (JP)

(72) Inventors: **Akinori Komaki**, Tokyo (JP); **Hideto Shimizu**, Tokyo (JP)

(73) Assignee: **Kabushiki Kaisha Toshiba**, Minato-ku, Tokyo (JP)

(**) Term: **15 Years**

(21) Appl. No.: **29/647,983**

(22) Filed: **May 17, 2018**

(30) **Foreign Application Priority Data**

Mar. 8, 2018 (JP) 2018-004831

(51) **LOC (12) Cl.** **24-02**

(52) **U.S. Cl.**
USPC **D24/186; D24/200**

(58) **Field of Classification Search**
USPC D99/25; D23/366, 367; D24/108, 186, D24/200, 209, 210

CPC A61M 21/02; A61M 2230/06; A61M 2021/0022; A61M 2021/0044; A61M 2021/0027; A61B 5/024; A61B 5/486

See application file for complete search history.

(56) **References Cited**

U.S. PATENT DOCUMENTS

D257,788 S * 1/1981 Suhajda D23/366
D289,920 S * 5/1987 O'Neil, Jr. D23/366
D292,311 S * 10/1987 Joyaux D23/366
D621,494 S * 8/2010 Li D23/366
D621,495 S * 8/2010 Li D23/366
D697,800 S * 1/2014 Villarreal D28/82
D720,063 S * 12/2014 Li D23/366

D731,334 S 6/2015 Fiedler et al.
D743,819 S 11/2015 Golnik et al.
D753,279 S * 4/2016 Li D23/366
D757,275 S * 5/2016 Lee D24/187
D772,391 S * 11/2016 Zimmerli D23/366
D788,355 S 5/2017 Klenell
D810,263 S * 2/2018 Lu D23/366
D813,366 S * 3/2018 Tang D23/366
D815,292 S * 4/2018 Goldman D24/186

(Continued)

FOREIGN PATENT DOCUMENTS

JP 1233825 S 3/2005
JP 1521298 S 4/2015
JP 1577076 S 5/2017

Primary Examiner — Lilyana Bekic

(74) *Attorney, Agent, or Firm* — Banner & Witcoff, Ltd.

(57) **CLAIM**

The ornamental design for a meditation-assisting instrument with pulsimeter function, as shown and described.

DESCRIPTION

FIG. 1 is a perspective view of a meditation-assisting instrument with pulsimeter function, showing our new design;

FIG. 2 is a front view thereof;

FIG. 3 is a right side view thereof, the left side being symmetrical;

FIG. 4 is a top view thereof;

FIG. 5 is a rear view thereof;

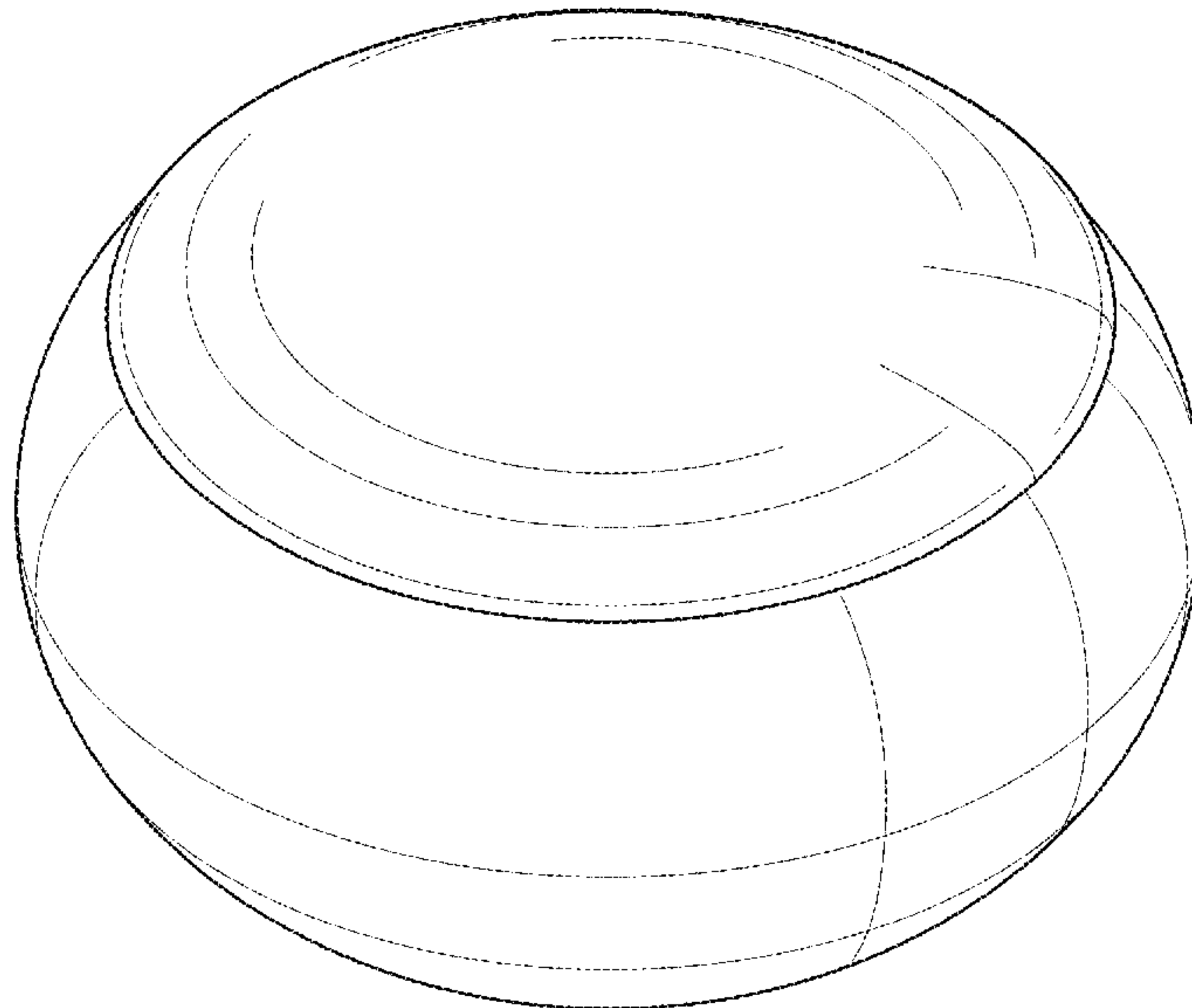
FIG. 6 is a bottom view thereof;

FIG. 7 is a cross-sectional view taken along line 7-7 in FIG. 2; and,

FIG. 8 is an end view thereof, taken along the line 8-8 in FIG. 3.

The broken lines show portions of the meditation-assisting instrument with pulsimeter function that form no part of the claimed design.

1 Claim, 8 Drawing Sheets



(56)

References Cited

U.S. PATENT DOCUMENTS

D829,877 S * 10/2018 Liu D23/366
D833,023 S * 11/2018 Maletic D24/186
D847,324 S * 4/2019 Zuo D23/366
D856,501 S * 8/2019 Netkin D23/366
2018/0374381 A1 * 12/2018 Darmour G09B 19/00

* cited by examiner

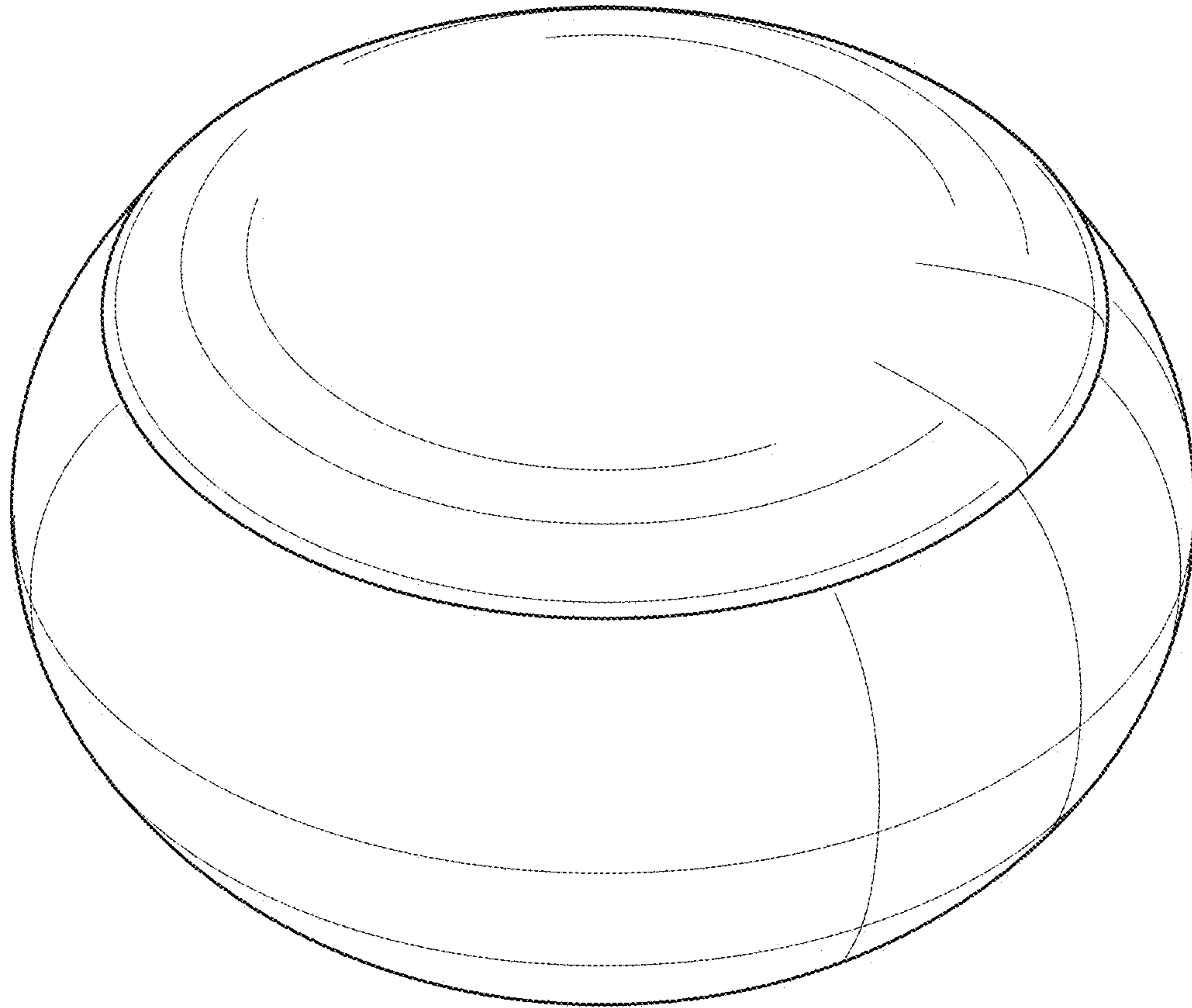


Fig. 1

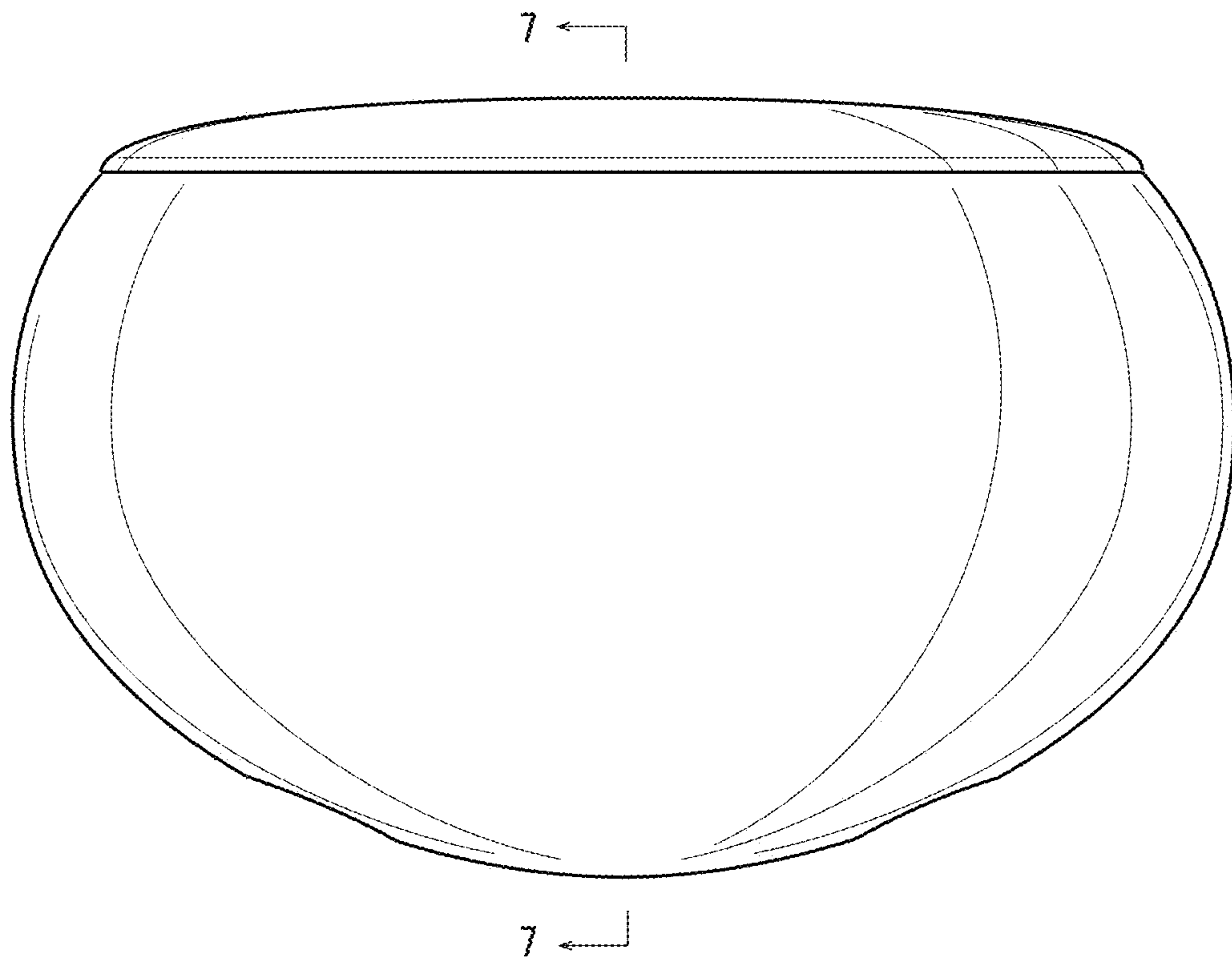


Fig.2

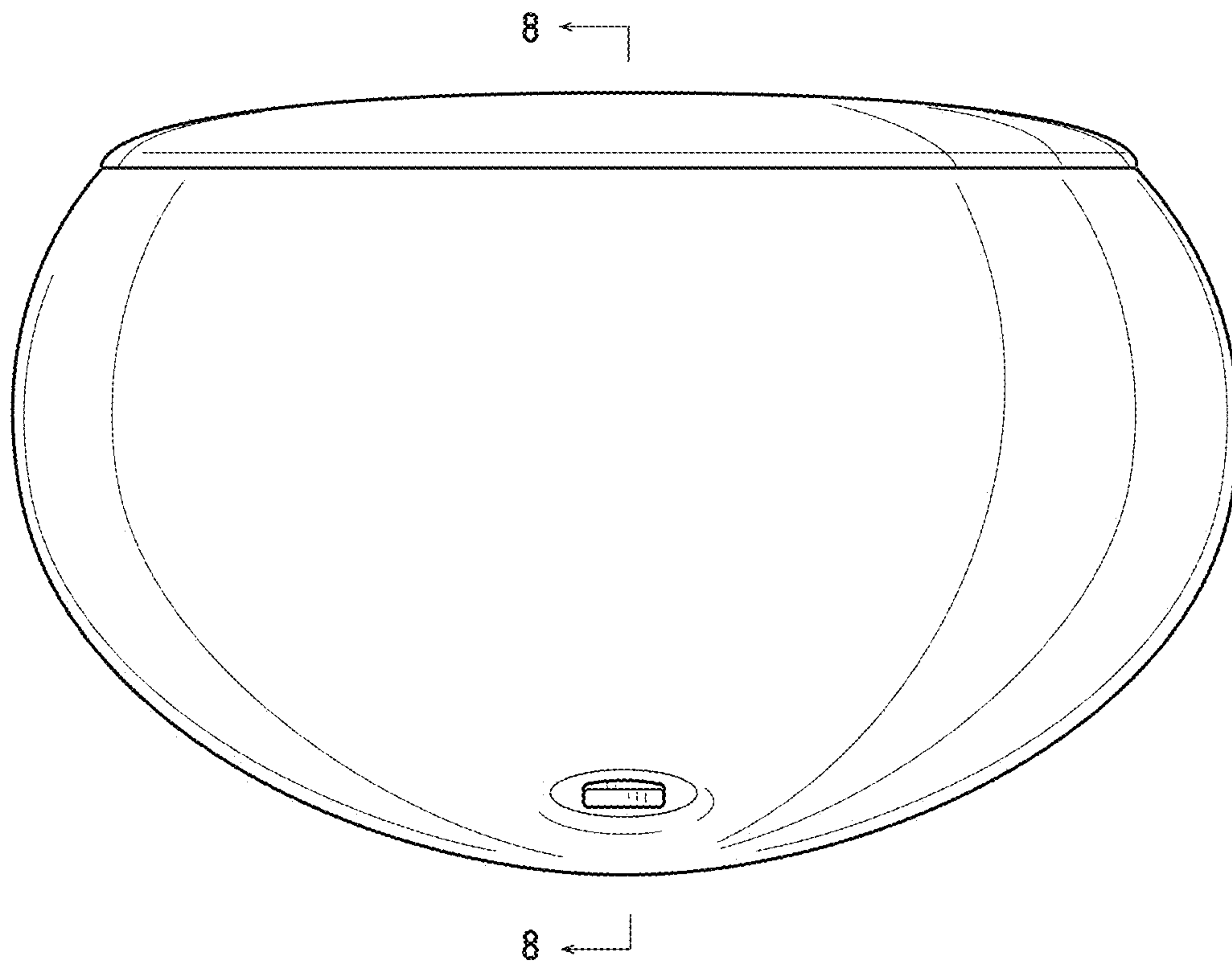


Fig. 3

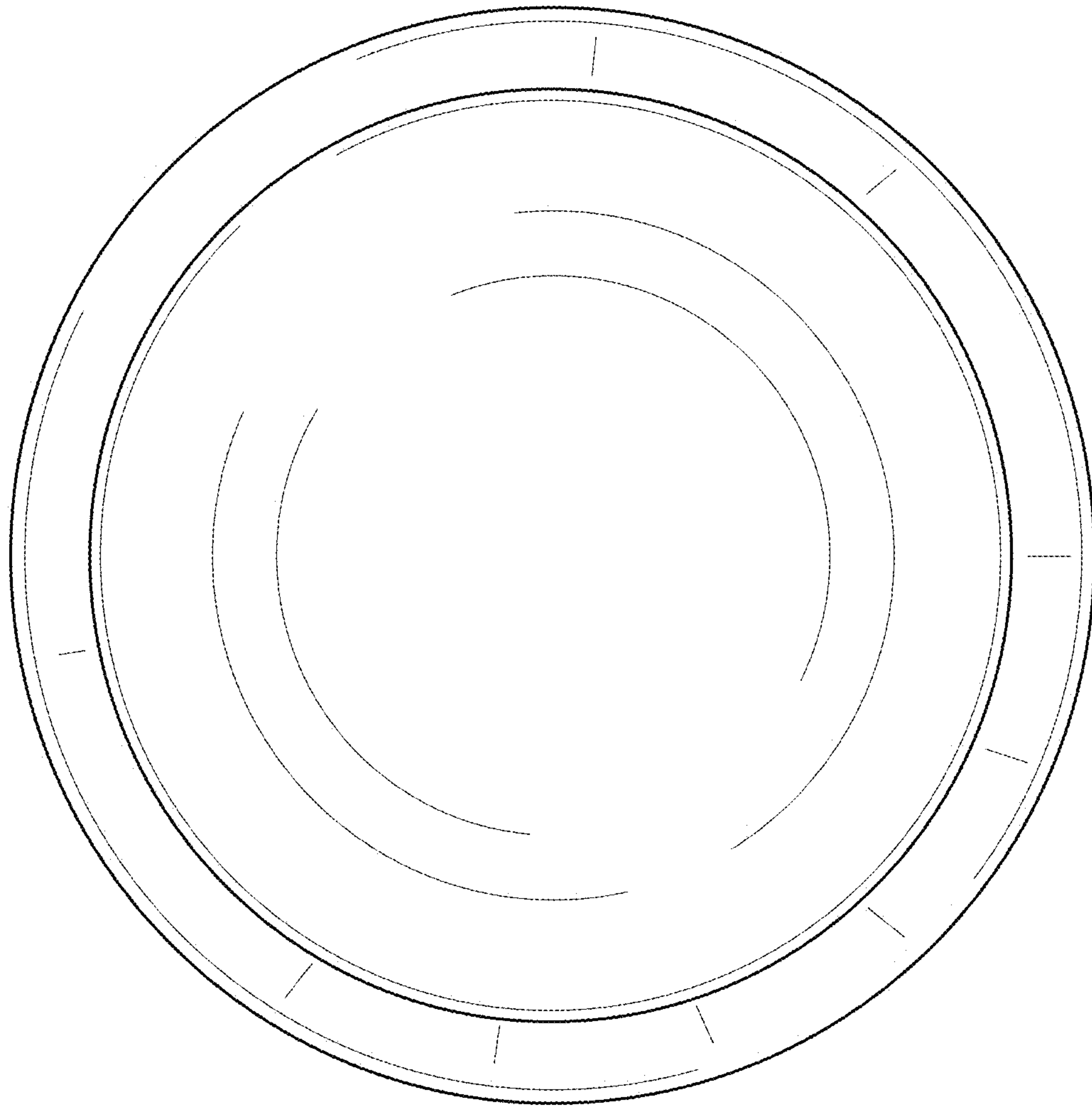


Fig. 4

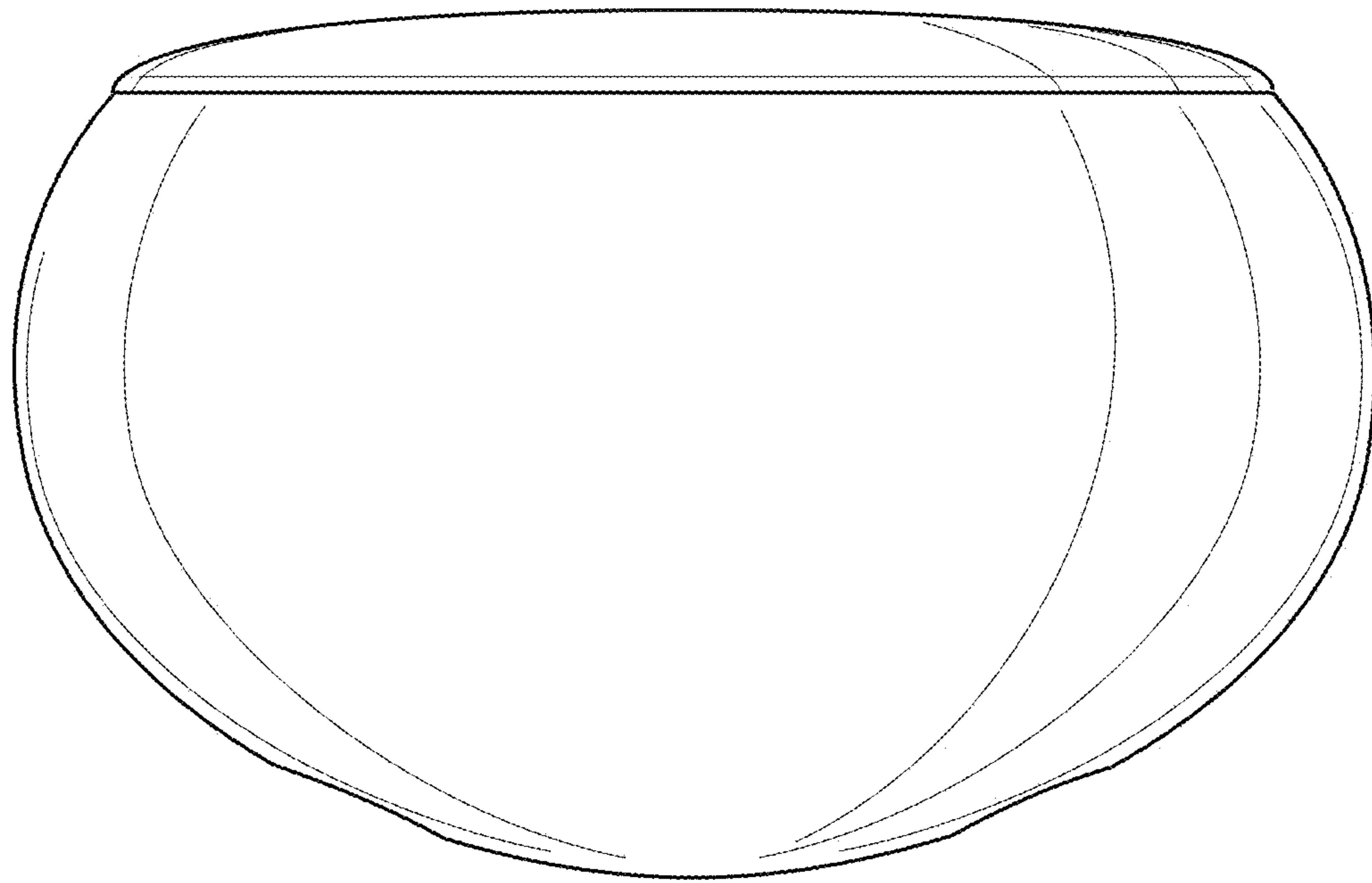


Fig.5

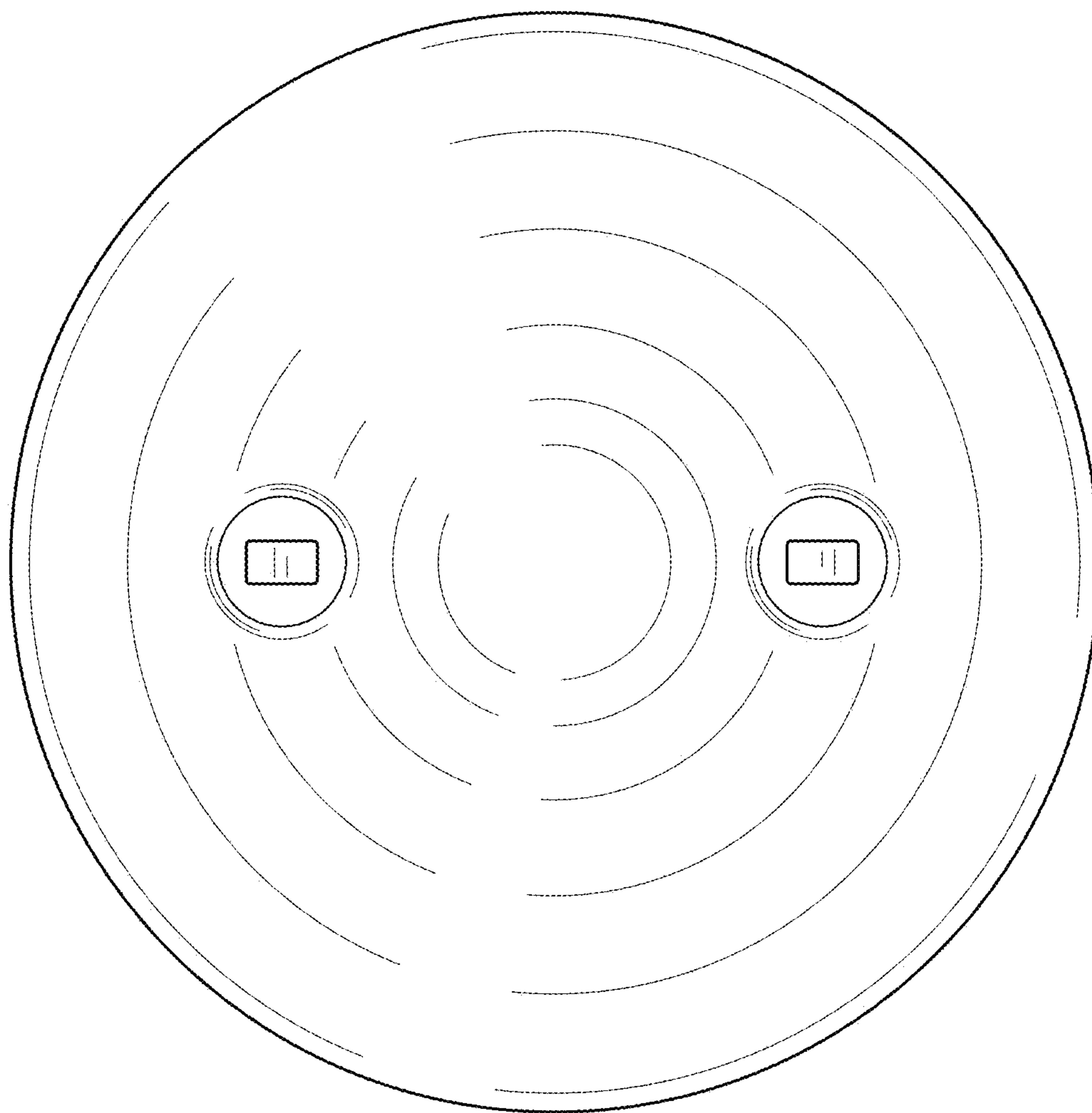


Fig.6

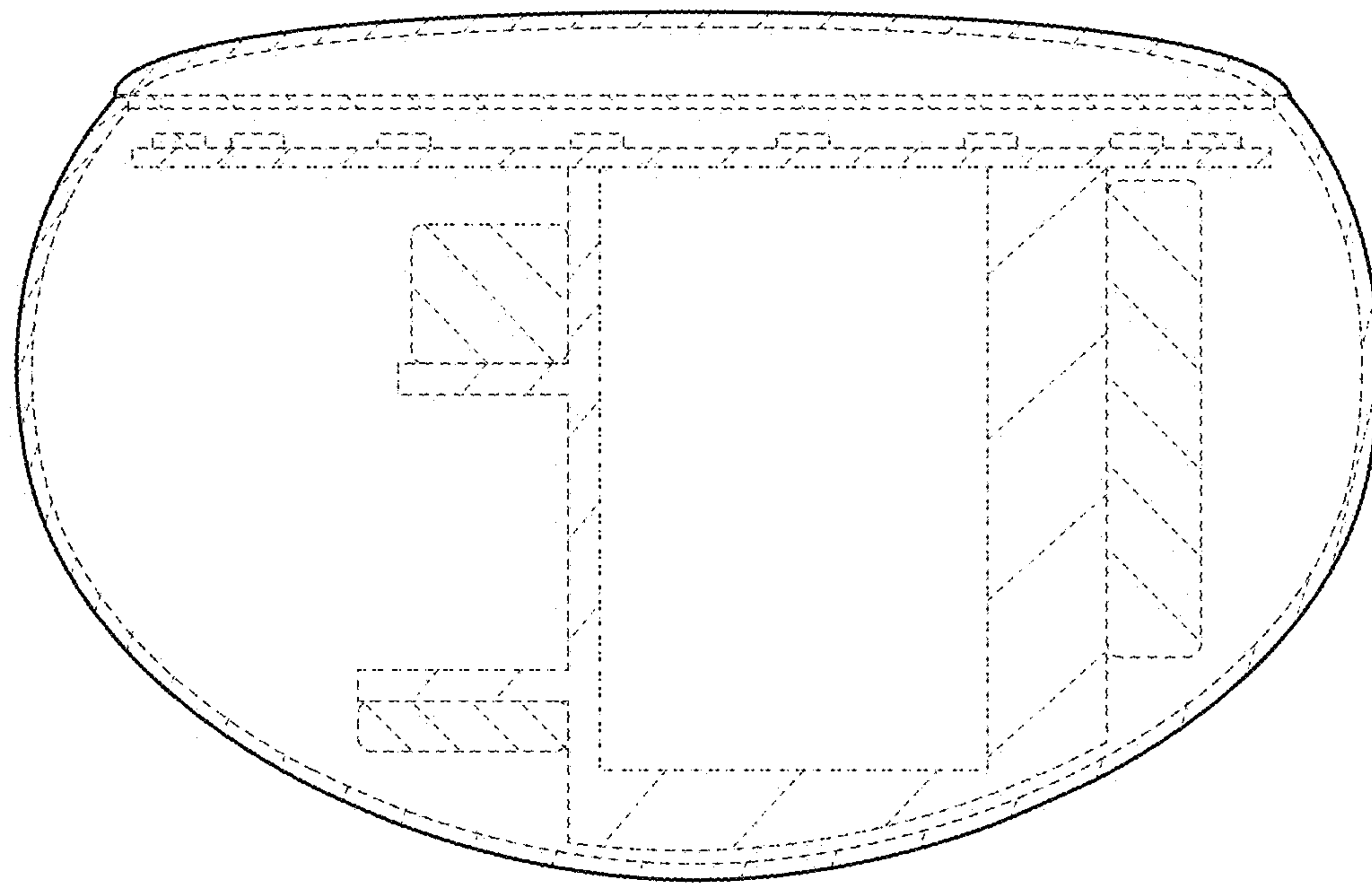


Fig. 7

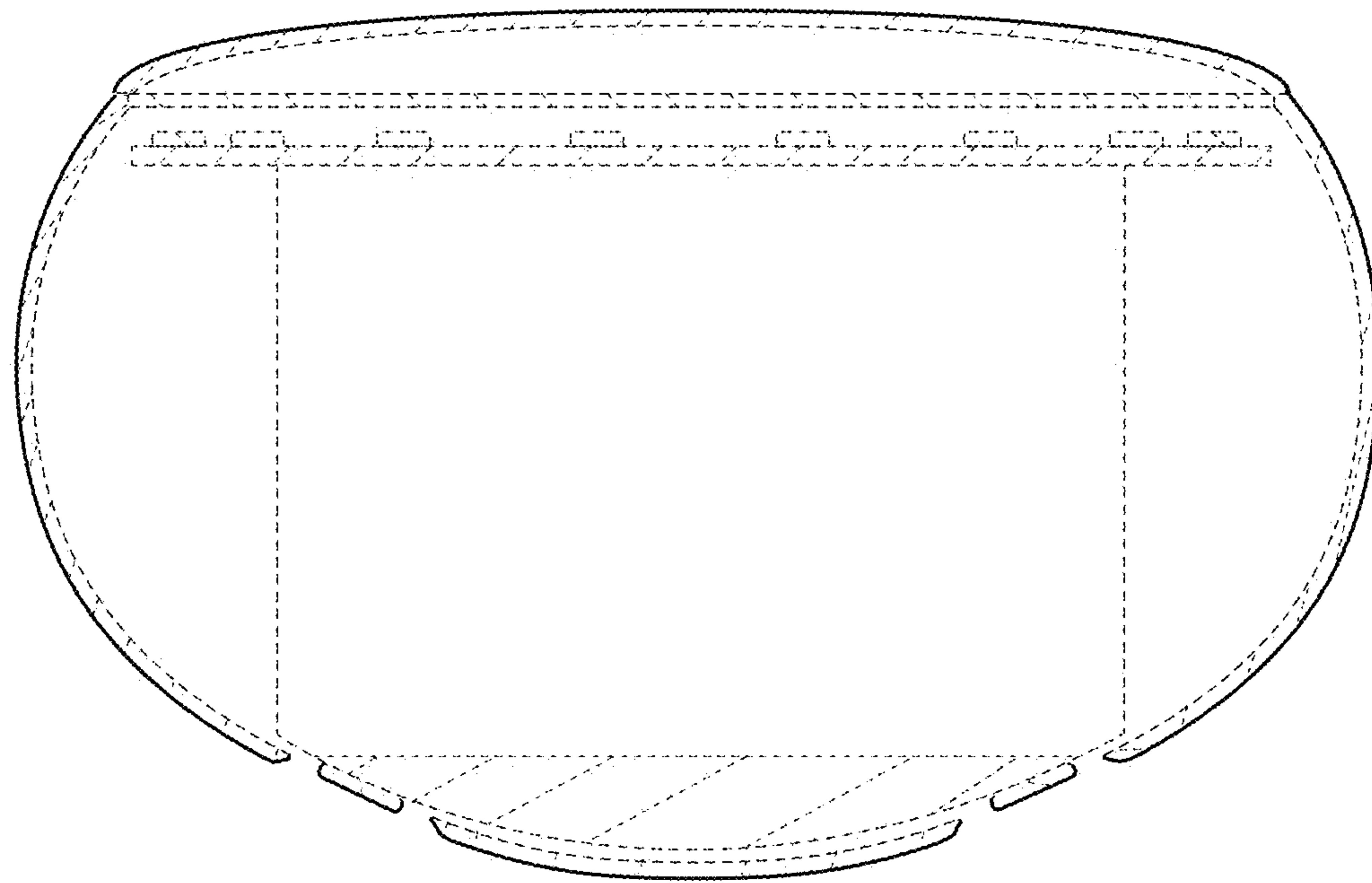


Fig. 8