



US00D870895S

(12) **United States Design Patent** (10) **Patent No.:** **US D870,895 S**
Asad et al. (45) **Date of Patent:** **** Dec. 24, 2019**

(54) **MEDICAL CONSOLE**

D8/363, 384, 387, 388, 391; D14/452,
D14/375; 248/70.6, 274.1, 276.1;

(71) Applicant: **Hologic, Inc.**, Marlborough, MA (US)

411/378, 387.1, 383, 388, 393, 411, 412,
411/481

(72) Inventors: **Kathryn Asad**, Cary, NC (US); **Mark A. Catron**, Superior, CO (US); **Eric Collins**, Superior, CO (US); **Kenneth F. DeFreitas**, Patterson, NY (US); **David Gilstrap**, Indianapolis, IN (US); **Alan J. Harvey**, Lafayette, CO (US); **Joseph Kapushion**, Erie, CO (US); **Kraig J. Kruger**, Boulder, CO (US); **Henry Landry**, Poughkeepsie, NY (US); **Arnold Oyola**, Northborough, MA (US); **Christian M. Ulm**, Newton, MA (US); **David VandeRiet**, Lafayette, CO (US); **Samantha E. Vish**, Superior, CO (US); **Joseph A. Stand, III**, Holden, MA (US)

CPC A61B 2017/00438; A61B 2090/037; A61B 6/4405; A61B 6/4411; A61B 6/4435; A61B 6/4441; A61B 6/4447; A61B 8/4405; A61B 8/4411; A61B 8/4427; A61B 8/462; A61B 8/0437; A61B 8/0883

See application file for complete search history.

(56) **References Cited**

U.S. PATENT DOCUMENTS

D467,001 S 12/2002 Buczek et al.
D486,915 S 2/2004 Warschewske et al.
6,705,474 B1 3/2004 Buczek
7,048,242 B2 5/2006 Oddsen, Jr.
D537,323 S 2/2007 Saez
7,389,965 B2 6/2008 Oddsen, Jr. et al.

(Continued)

Primary Examiner — Wan Laymon

Assistant Examiner — Mark Booker

(74) *Attorney, Agent, or Firm* — Kriegsman & Kriegsman

(57) **CLAIM**

We claim the ornamental design for a medical console, as shown and described.

DESCRIPTION

FIG. 1 is a front perspective view of the medical console; FIG. 2 is a right side elevational view thereof; FIG. 3 is a left side elevational view thereof; FIG. 4 is a rear elevational view thereof; FIG. 5 is a front elevational view thereof; and, FIG. 6 is a top plan view thereof.

The article is not limited to the scale shown herein.

The broken lines shown in FIGS. 1 through 6 depict unclaimed subject matter only and form no part of the claimed design.

1 Claim, 6 Drawing Sheets

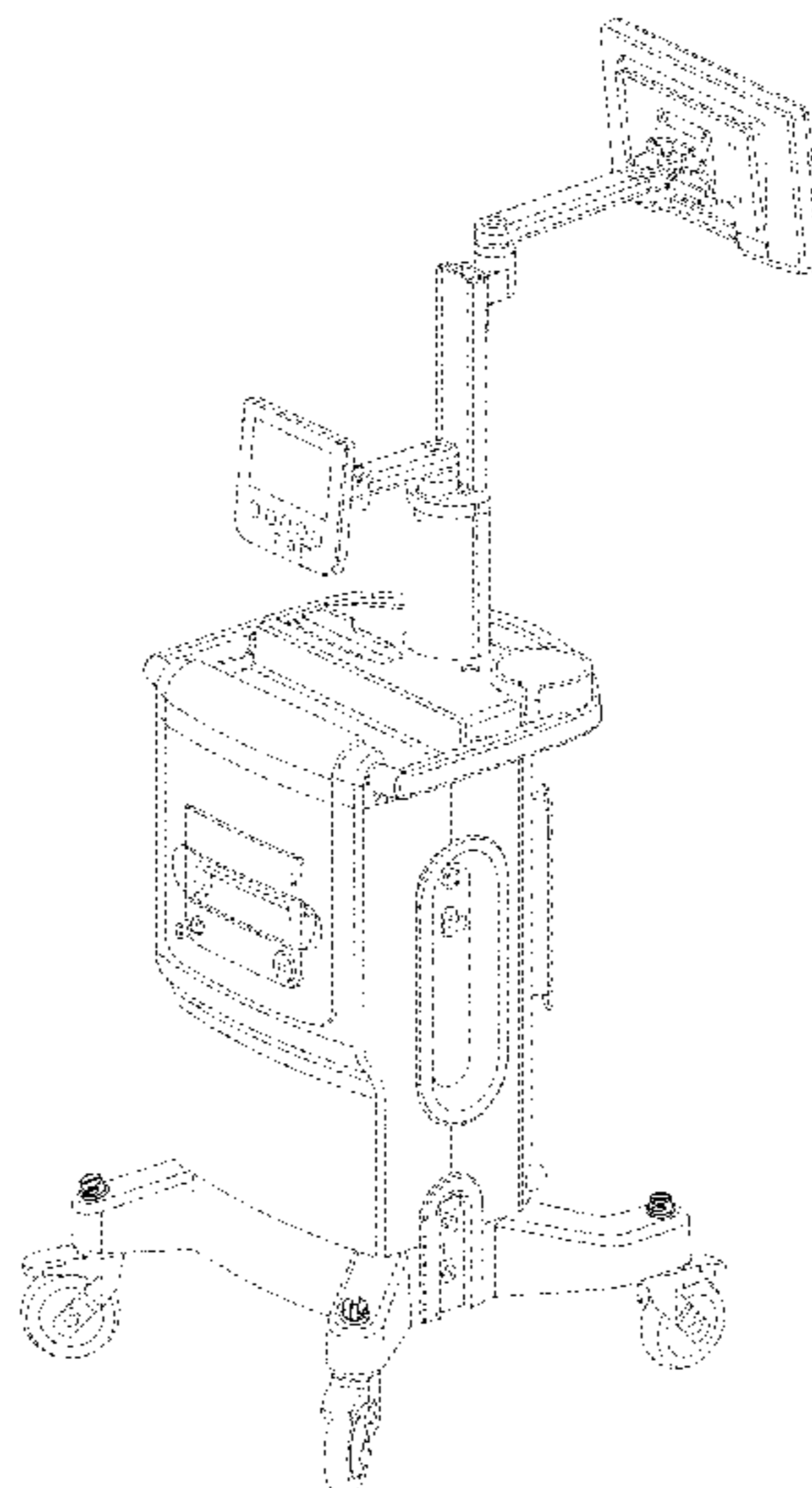
Related U.S. Application Data

(63) Continuation of application No. 29/555,808, filed on Feb. 25, 2016, now Pat. No. Des. 816,232, which is a continuation of application No. 29/533,804, filed on Jul. 22, 2015, now Pat. No. Des. 750,787, which is a continuation of application No. 29/504,834, filed on Oct. 9, 2014, now Pat. No. Des. 735,342.

(51) **LOC (12) Cl.** **24-00**

(52) **U.S. Cl.**
USPC **D24/186**

(58) **Field of Classification Search**
USPC D24/186, 158, 172, 185, 128, 164, 234;



(56)

References Cited

U.S. PATENT DOCUMENTS

D577,729 S 9/2008 Derry et al.
 D598,917 S 8/2009 Luber
 D606,202 S 12/2009 Banryu
 D606,548 S 12/2009 Sapper
 D613,866 S 4/2010 Tanaka et al.
 7,694,927 B2 4/2010 Chuang
 D625,824 S * 10/2010 Brackett D24/188
 D626,235 S 10/2010 Smith et al.
 D627,474 S 11/2010 Nordgren et al.
 D631,052 S 1/2011 Hung
 D643,535 S 8/2011 Ross et al.
 D648,855 S 11/2011 Smith et al.
 D652,521 S 1/2012 Ross et al.
 D652,936 S 1/2012 Ross et al.
 D654,503 S 2/2012 Sapper
 D657,470 S 4/2012 Schon et al.
 8,240,684 B2 8/2012 Ross et al.
 D670,813 S 11/2012 Sommer et al.

D680,650 S 4/2013 Muraoka et al.
 D685,094 S * 6/2013 Green A61B 17/132
 D24/169
 D692,563 S 10/2013 Naef et al.
 D696,783 S 12/2013 Chung et al.
 D699,852 S 2/2014 Chung et al.
 D700,706 S 3/2014 Molter
 D702,842 S 4/2014 Hyde et al.
 D707,360 S * 6/2014 Kim D24/185
 D708,334 S * 7/2014 Kim D24/158
 D712,540 S 9/2014 Hansen et al.
 D715,440 S 10/2014 Kim
 D735,342 S * 7/2015 Asad D24/185
 D750,787 S * 3/2016 Asad D24/185
 D816,232 S 4/2018 Asad et al.
 2003/0075653 A1 4/2003 Li
 2006/0266909 A1 11/2006 Oddsen, Jr. et al.
 2008/0164395 A1 7/2008 Chang
 2008/0237439 A1 10/2008 Oddsen
 2009/0090831 A1 4/2009 Henning et al.

* cited by examiner

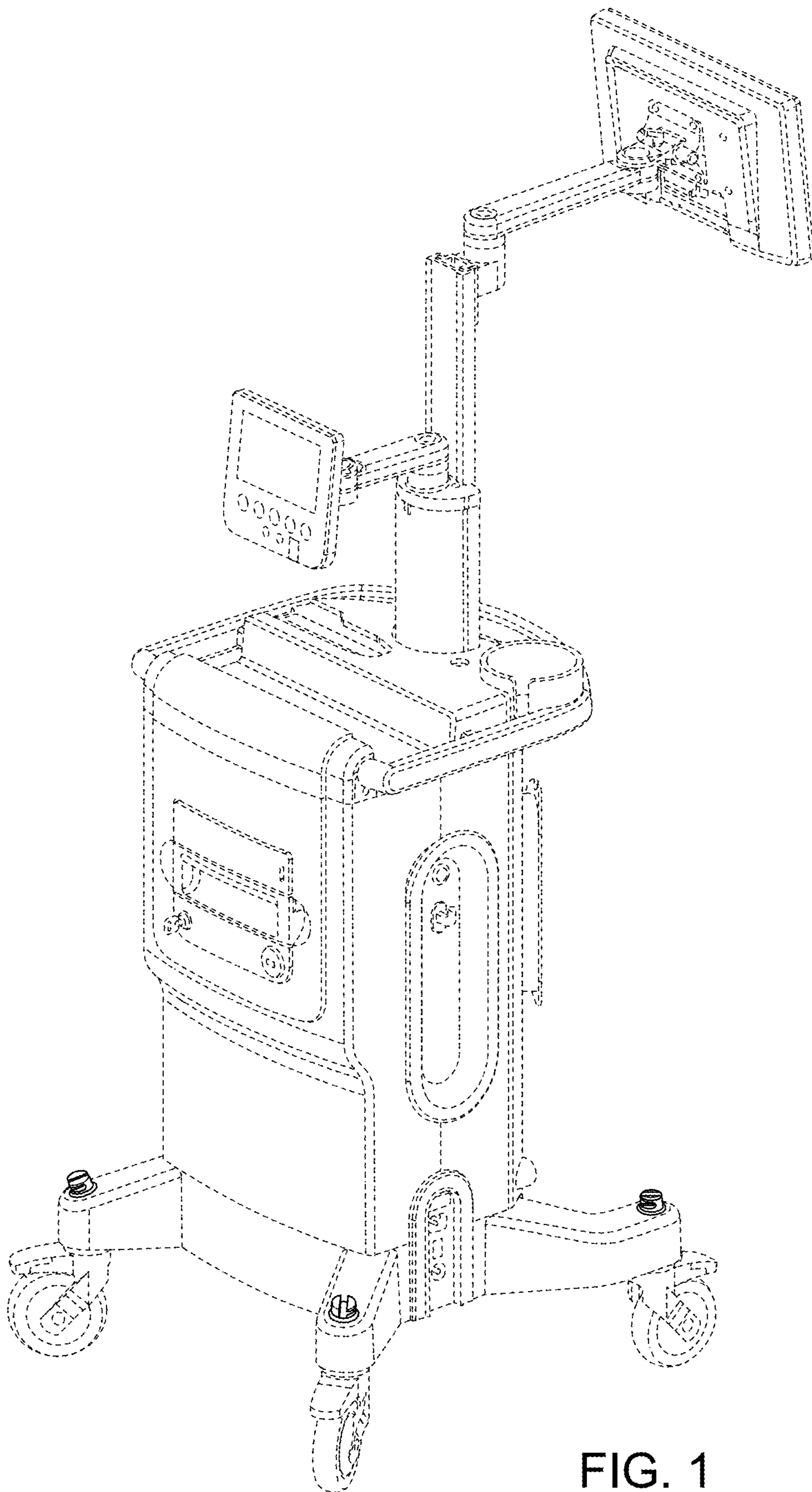


FIG. 1

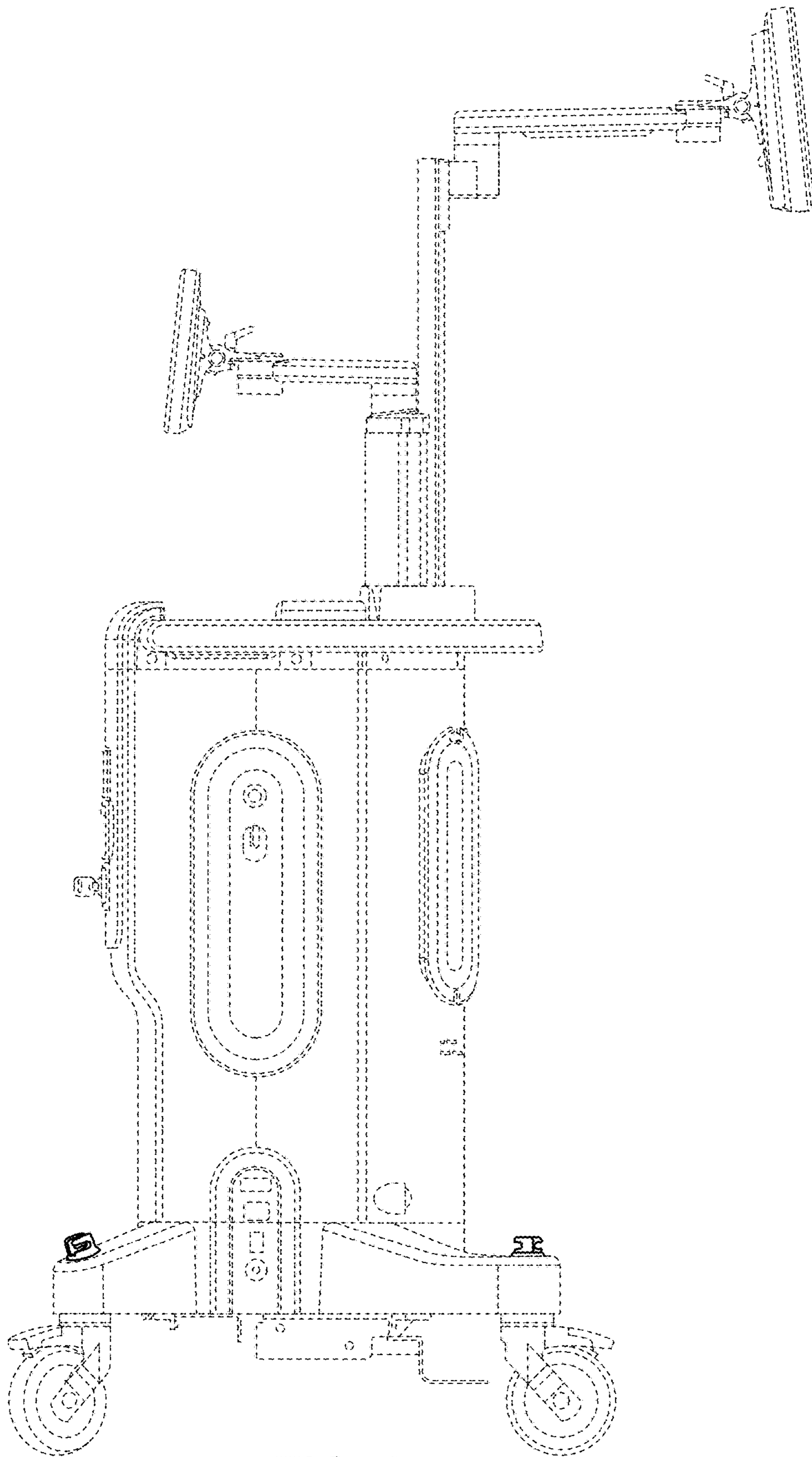


FIG. 2

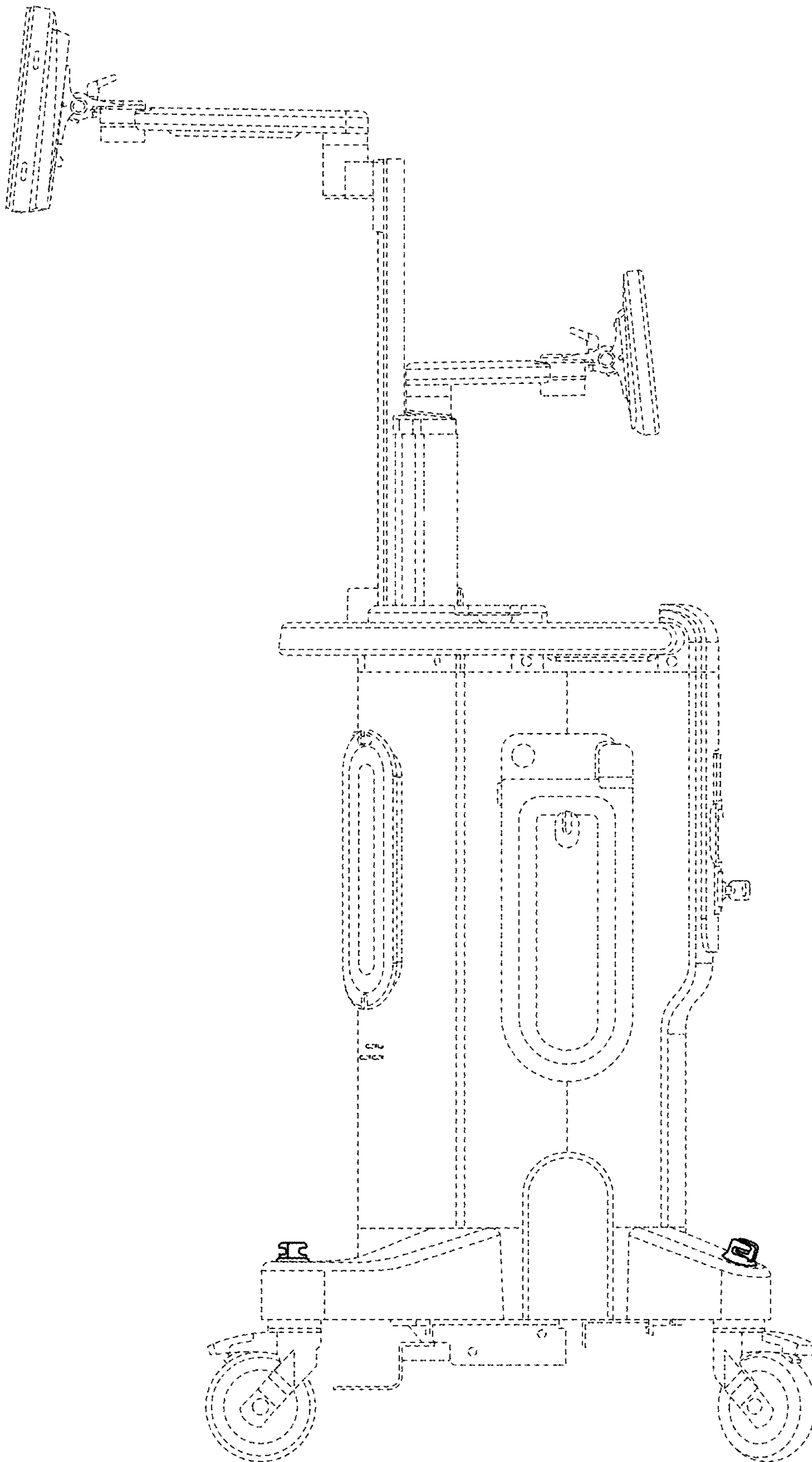


FIG. 3

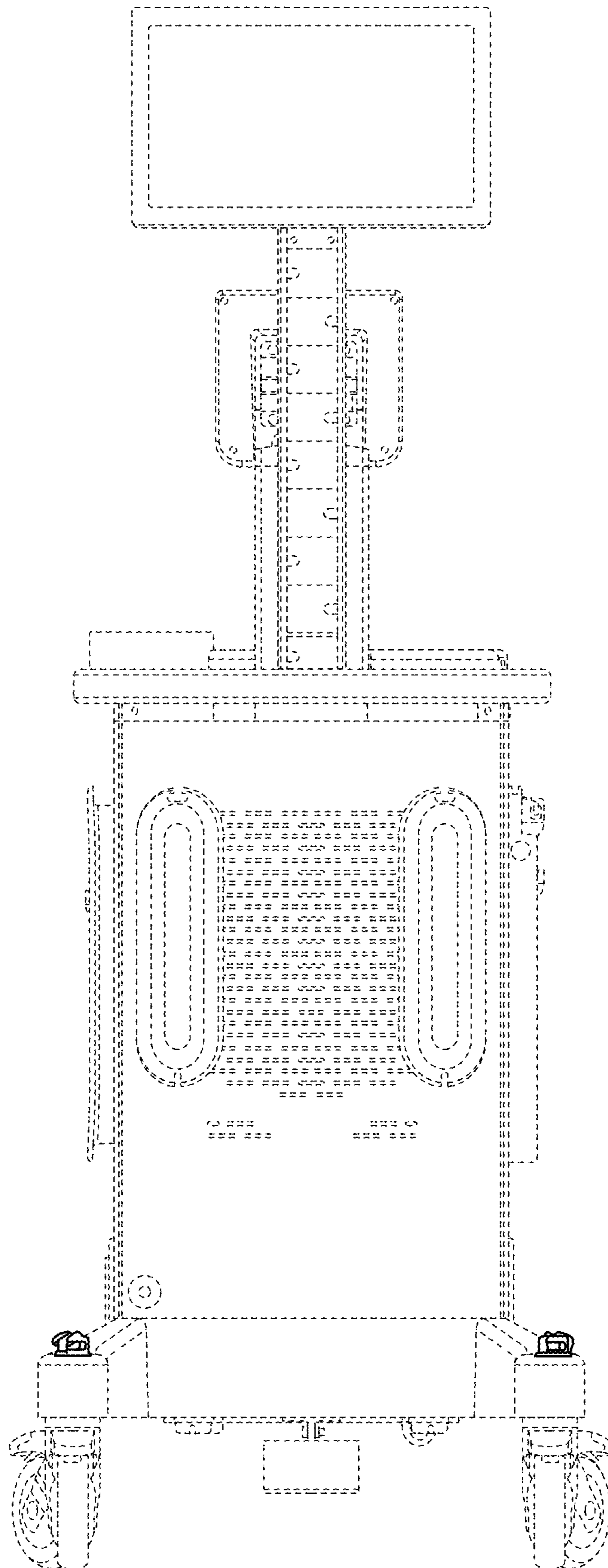


FIG. 4

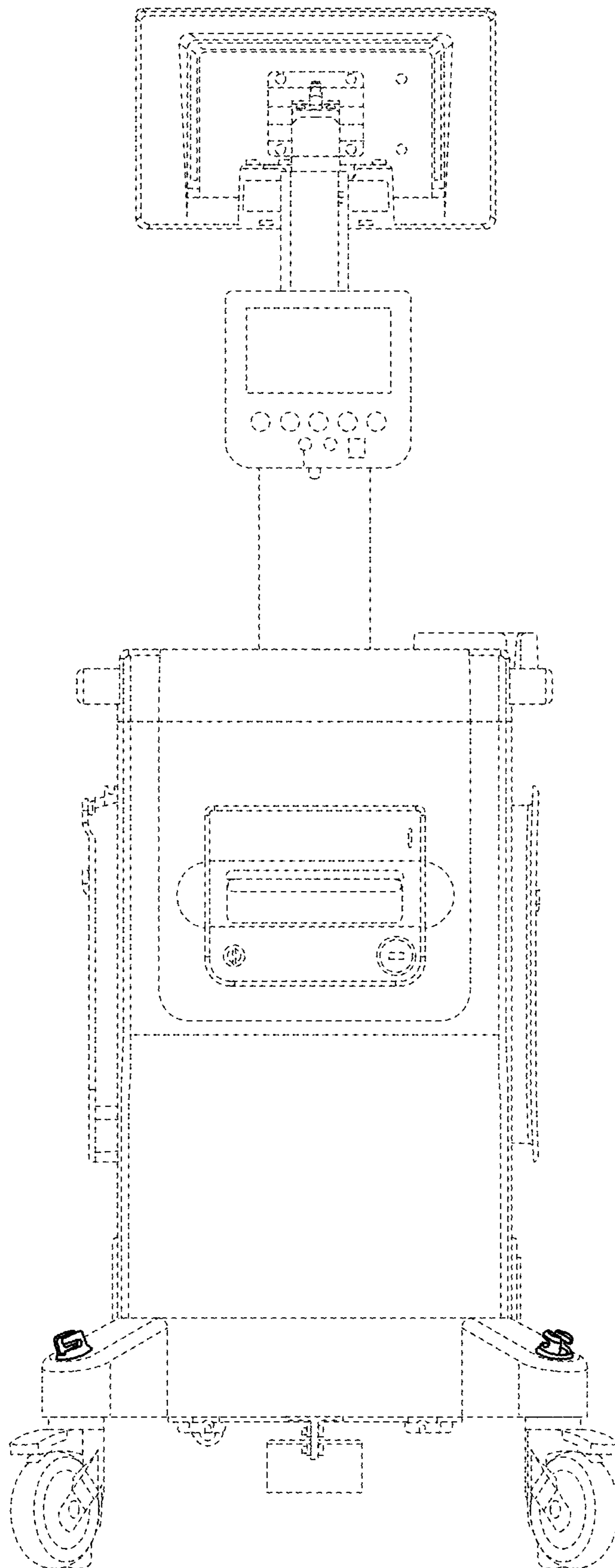


FIG. 5

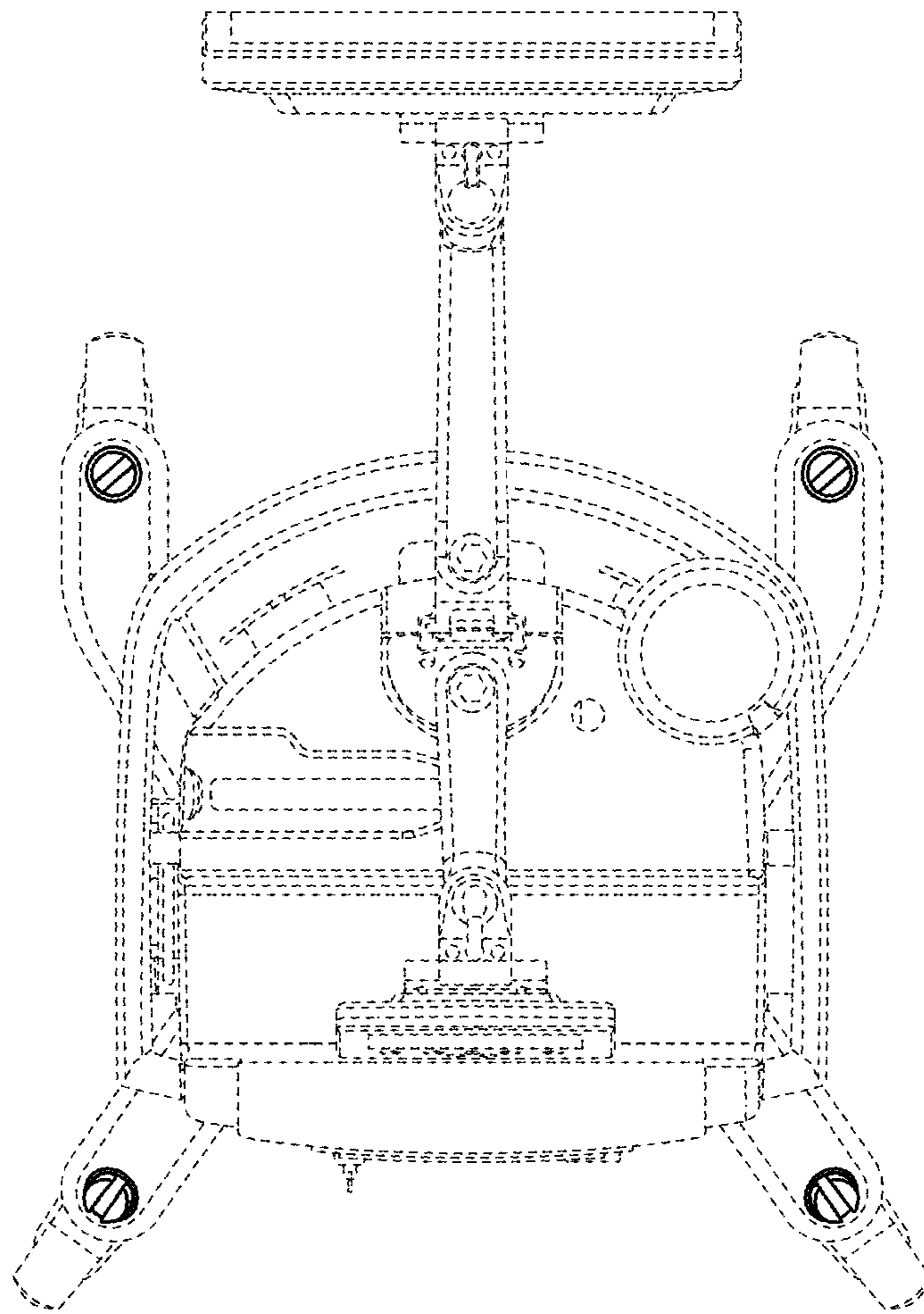


FIG. 6