



US00D870892S

(12) **United States Design Patent** (10) **Patent No.:** **US D870,892 S**
Verkaik et al. (45) **Date of Patent:** **** Dec. 24, 2019**

(54) **EXTRAVASCULAR CUFF**

(56) **References Cited**

(71) Applicants: **RTM Vital Signs LLC**, Fort Washington, PA (US); **Thomas Jefferson University**, Philadelphia, PA (US)

U.S. PATENT DOCUMENTS

D603,966	S	*	11/2009	Jones	D24/164
D743,040	S	*	11/2015	Corbett, III	D24/187
D755,392	S	*	5/2016	Hwang	D24/165
D782,045	S	*	3/2017	Chou	D24/164
D828,916	S	*	9/2018	Zuckerman-Stark	24/1
D848,622	S	*	5/2019	Zuckerman-Stark	D24/186
2015/0045638	A1	*	2/2015	Liu	A61B 5/6826 600/324
2016/0228043	A1	*	8/2016	O'Neil	A61B 5/14552

(72) Inventors: **Josiah Verkaik**, Boise, ID (US); **Jeffrey I Joseph**, Narberth, PA (US); **Noud Van Helmond**, Philadelphia, PA (US)

* cited by examiner

(73) Assignee: **RTM Vital Signs LLC**, Fort Washington, PA (US)

Primary Examiner — Anhdao Doan

(**) Term: **15 Years**

(74) *Attorney, Agent, or Firm* — Christopher & Weisberg, P.A.

(21) Appl. No.: **29/668,042**

(57) **CLAIM**

(22) Filed: **Oct. 26, 2018**

The ornamental design for an extravascular cuff, as shown and described.

(51) **LOC (12) Cl.** **24-02**

DESCRIPTION

(52) **U.S. Cl.**

USPC **D24/167**

(58) **Field of Classification Search**

USPC D24/107, 164, 165-169, 186, 187; D10/75, 70, 98

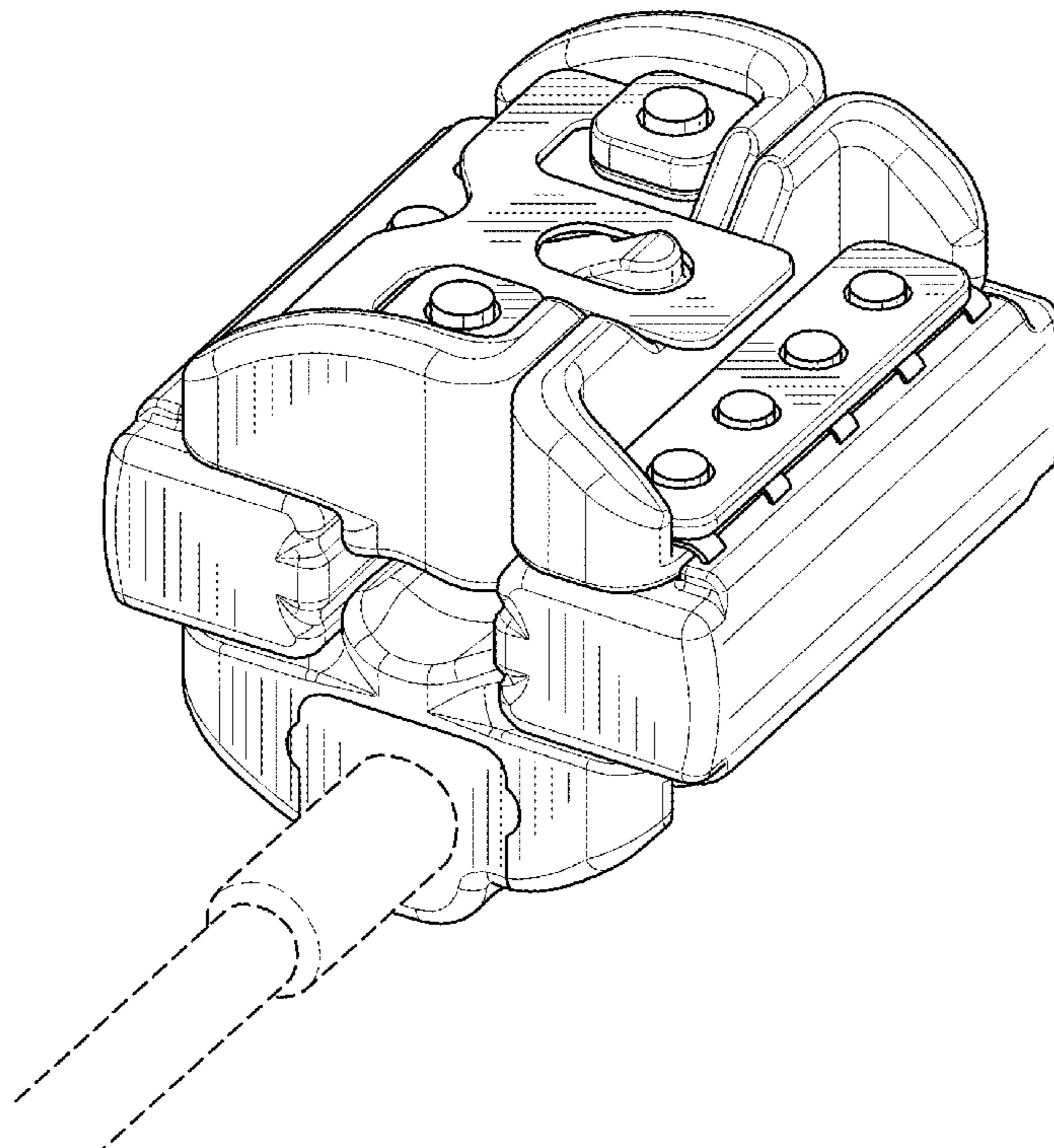
CPC G01N 33/66; G01N 33/49; G01N 33/493; A61B 5/0205; A61B 5/02427; A61B 5/02438; A61B 5/14552; A61B 5/6626; A61B 5/6638; A61B 5/0402; A61B 5/0404; A61B 5/021; A61B 5/024; A61B 5/681; A61B 2560/0205; A61B 2560/0462

FIG. 1 is a front perspective view of the extravascular cuff; FIG. 2 is a right side view thereof; FIG. 3 is a left side view thereof; FIG. 4 is a top view thereof; FIG. 5 is a bottom side view thereof; FIG. 6 is a front view thereof; and, FIG. 7 is a back view thereof.

The broken lines represent environmental structure and form no part of the claimed design.

See application file for complete search history.

1 Claim, 7 Drawing Sheets



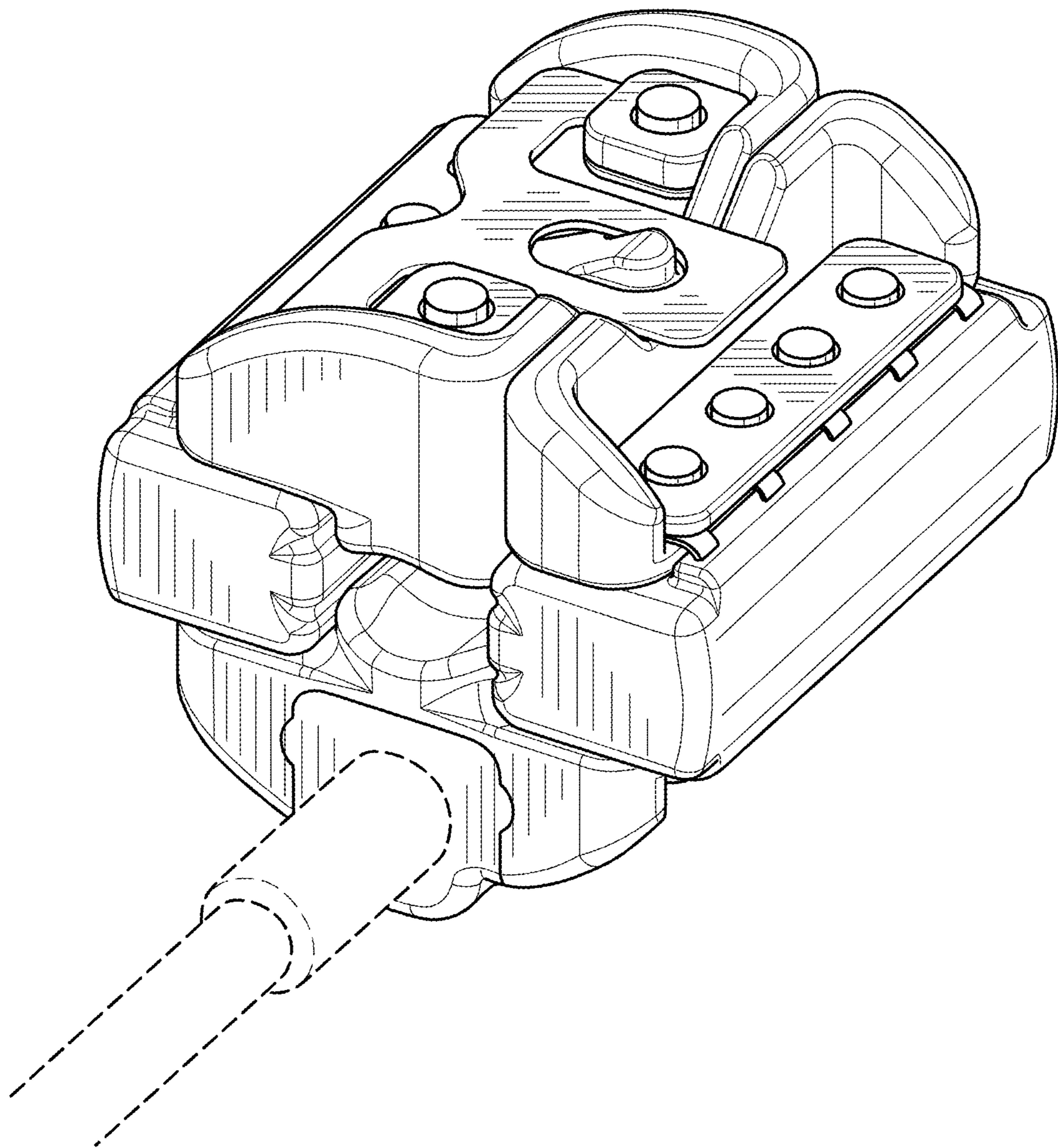


FIG. 1

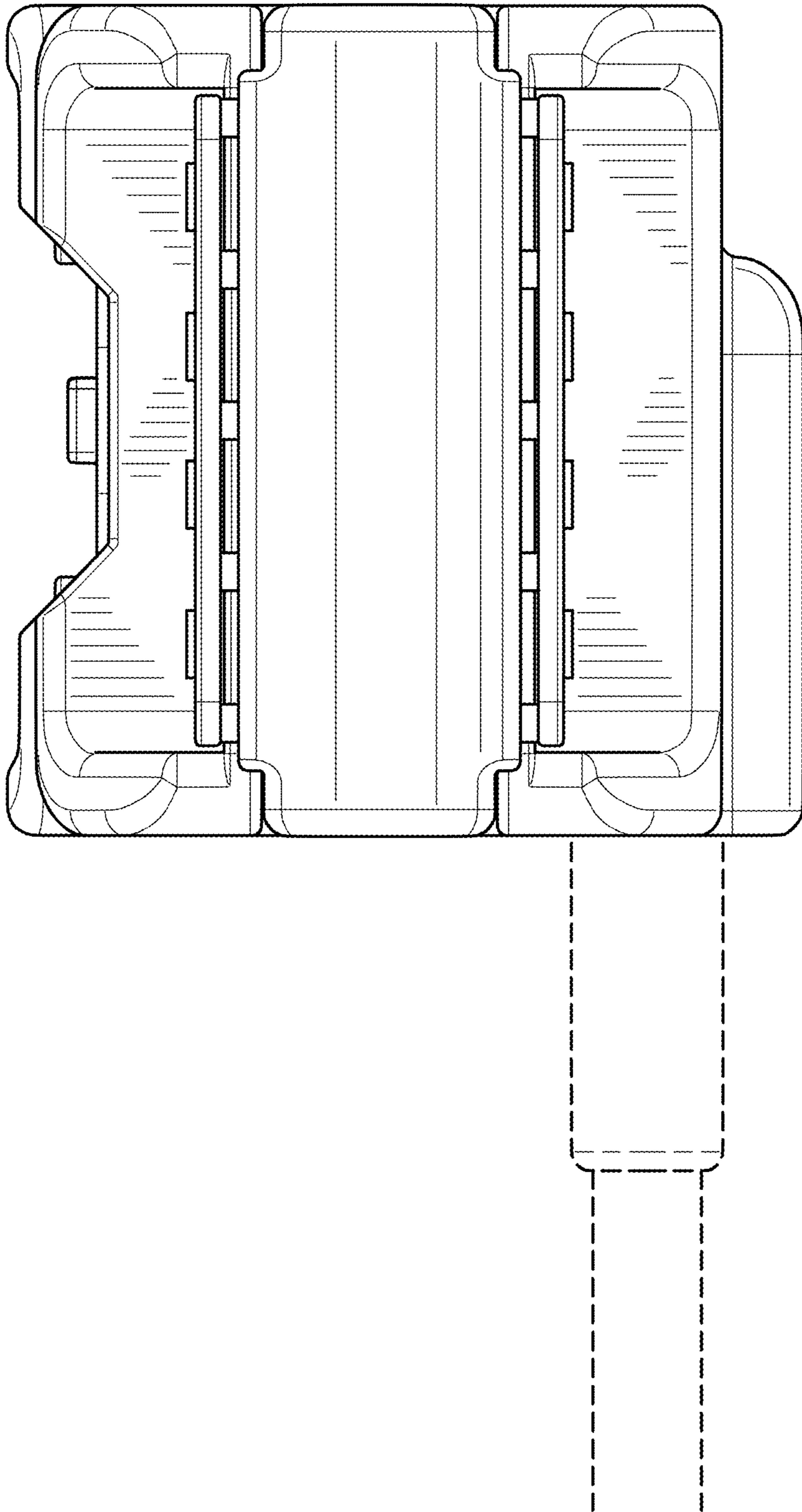


FIG. 2

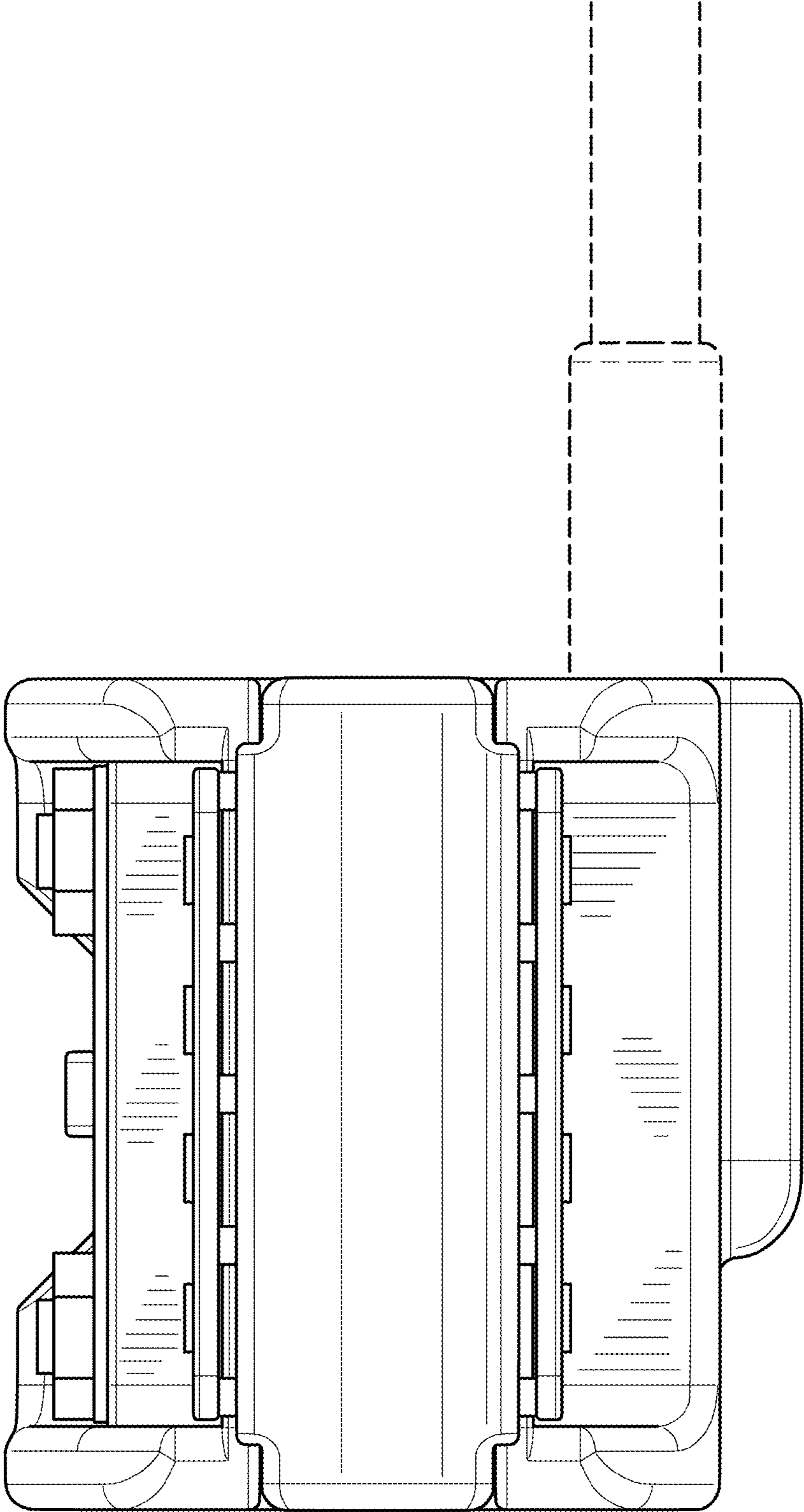


FIG. 3

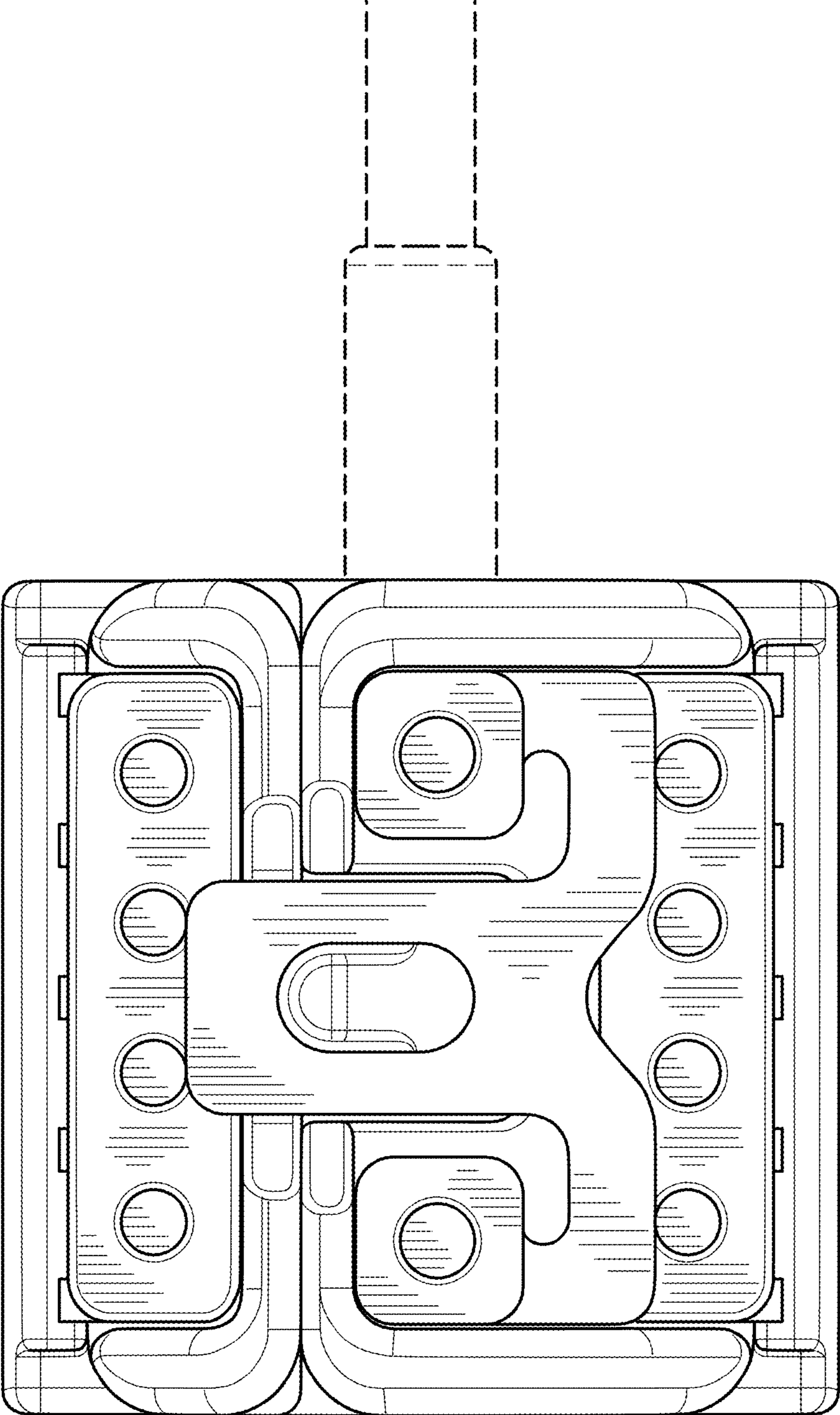


FIG. 4

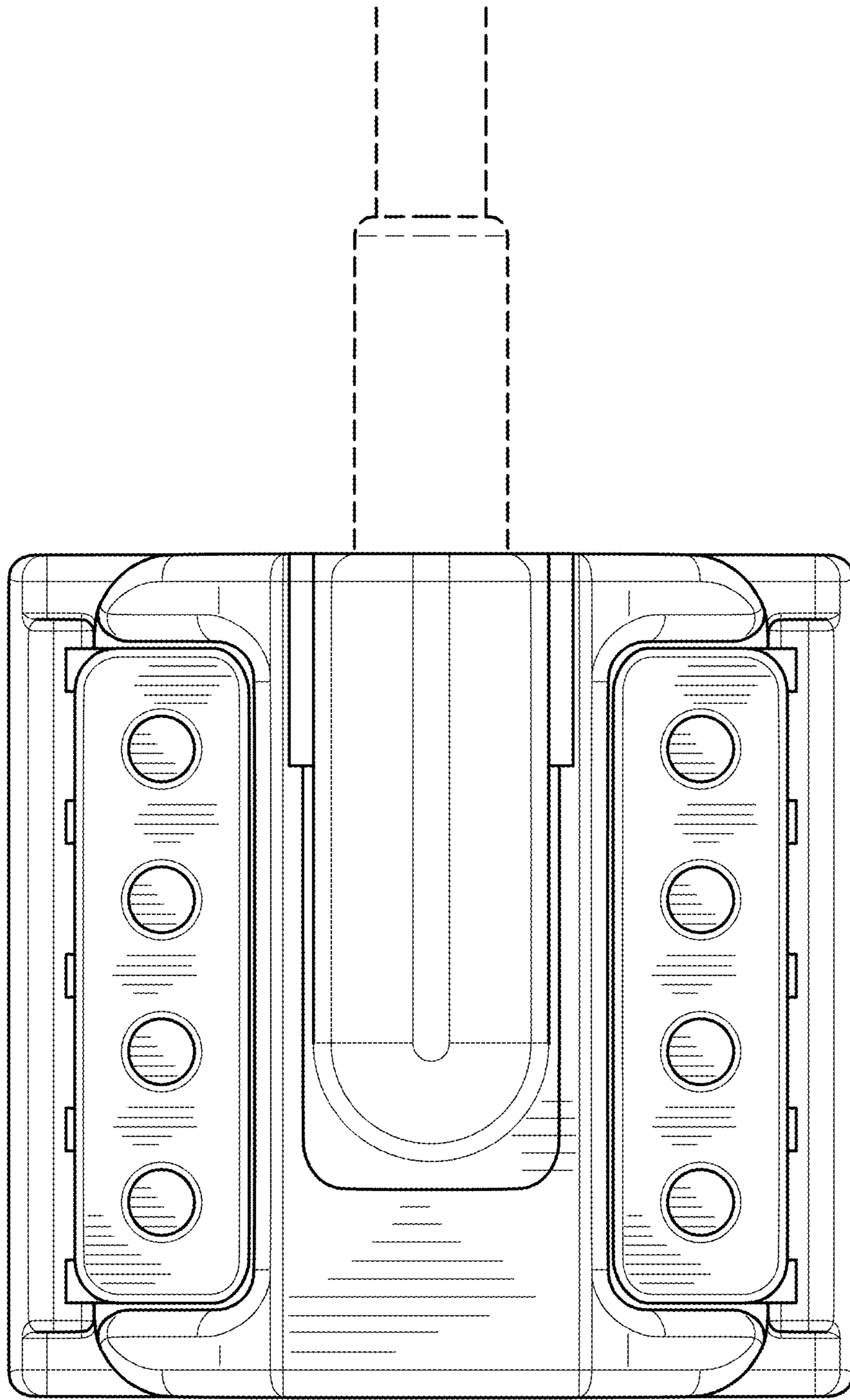


FIG. 5

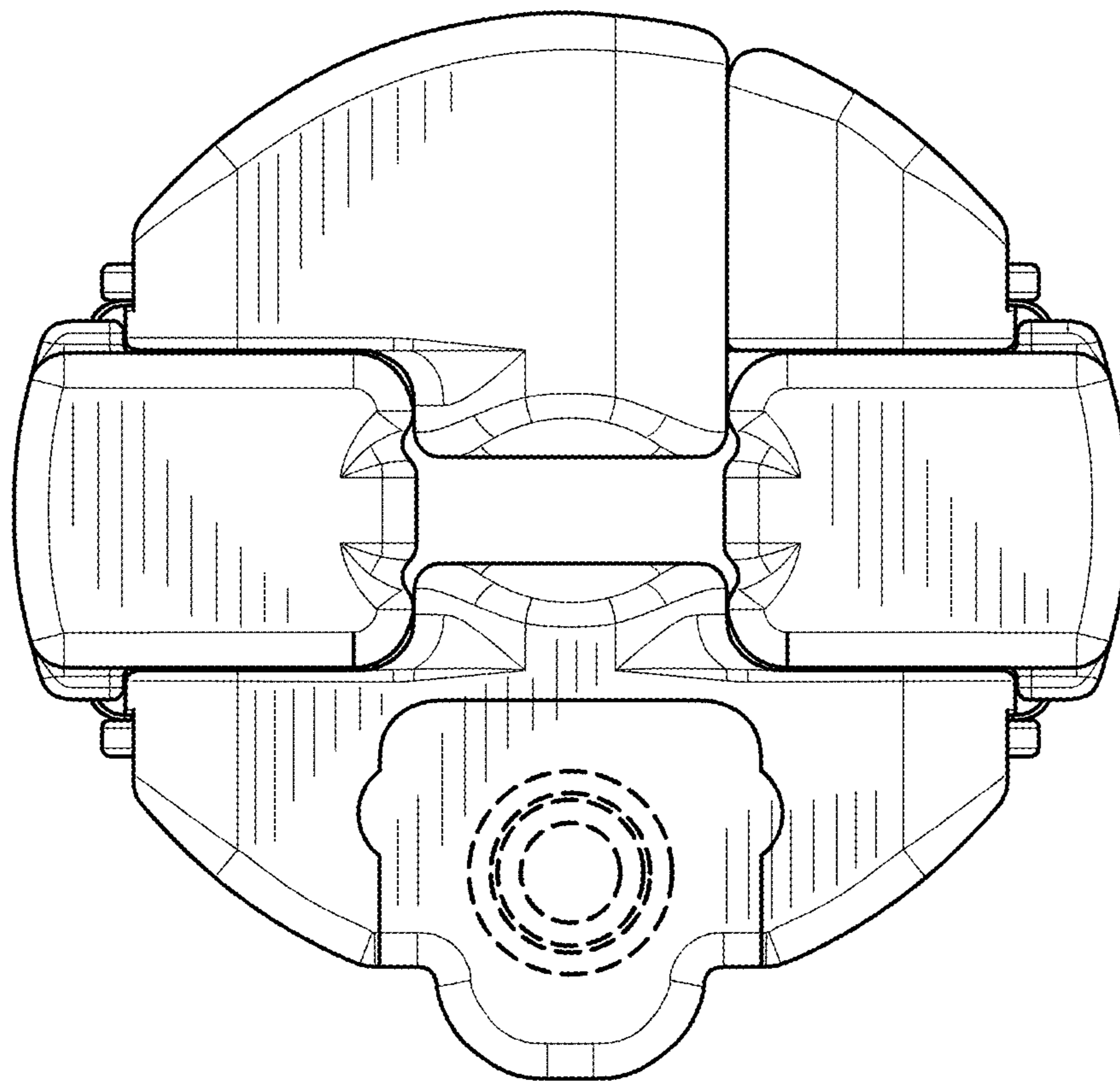


FIG. 6

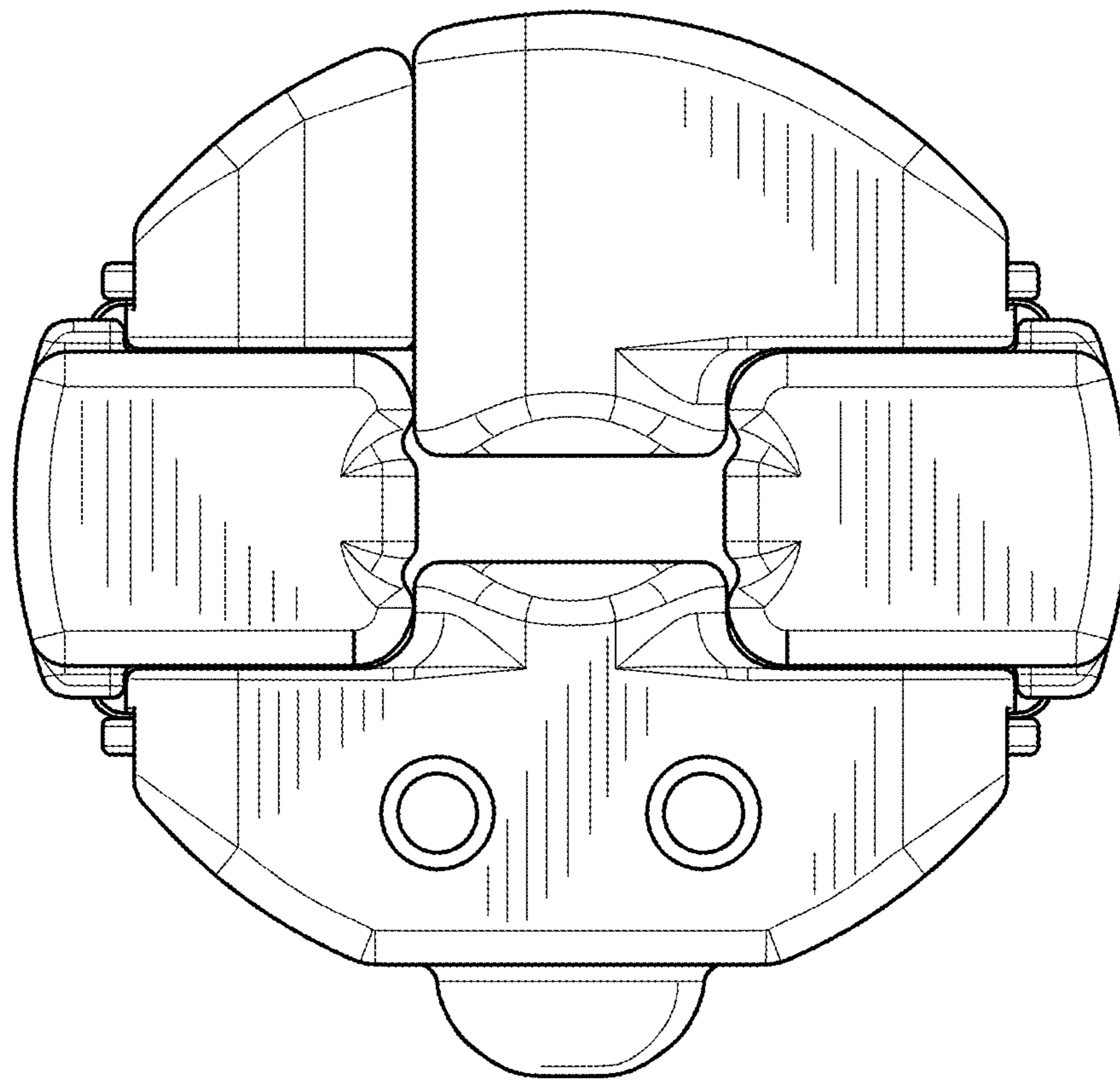


FIG. 7