



US00D870886S

(12) **United States Design Patent**  
**Funakoshi**

(10) **Patent No.:** **US D870,886 S**

(45) **Date of Patent:** **\*\* Dec. 24, 2019**

(54) **ENDOSCOPE OPERATING UNIT**

(71) Applicant: **OLYMPUS CORPORATION**,  
Hachioji-shi, Tokyo (JP)

(72) Inventor: **Yasuo Funakoshi**, Tokyo (JP)

(73) Assignee: **OLYMPUS CORPORATION**, Tokyo  
(JP)

(\*\*) Term: **15 Years**

(21) Appl. No.: **29/604,431**

(22) Filed: **May 17, 2017**

(30) **Foreign Application Priority Data**

Nov. 17, 2016 (JP) ..... 2016-025028

(51) **LOC (12) Cl.** ..... **24-02**

(52) **U.S. Cl.**  
USPC ..... **D24/138**

(58) **Field of Classification Search**  
USPC ..... D24/138, 137, 127, 113, 108, 133  
CPC ..... A61B 1/00126  
See application file for complete search history.

(56) **References Cited**

**U.S. PATENT DOCUMENTS**

D486,910 S \* 2/2004 Hayamizu ..... D24/138  
D493,529 S \* 7/2004 Hayamizu ..... D24/138  
D648,023 S \* 11/2011 Nohara ..... D24/138  
D668,762 S \* 10/2012 Makowski ..... D24/138  
D669,174 S \* 10/2012 Makowski ..... D24/138  
D718,443 S \* 11/2014 Yoshida ..... D24/138

D737,966 S \* 9/2015 Meguro ..... D24/138  
2008/0119696 A1 \* 5/2008 Moriyama ..... A61B 1/0052  
600/146  
2018/0168436 A1 \* 6/2018 Hoshino ..... A61B 1/0052

\* cited by examiner

*Primary Examiner* — Eliza Z Bennett-Hattan

(74) *Attorney, Agent, or Firm* — Oliff PLC

(57) **CLAIM**

The ornamental design for an endoscope operating unit, as shown and described.

**DESCRIPTION**

FIG. 1 is a front, top and left side perspective view of an endoscope operating unit, showing my new design;

FIG. 2 is a rear, bottom and left side perspective view thereof;

FIG. 3 is a front view thereof;

FIG. 4 is a rear view thereof;

FIG. 5 is a top view thereof;

FIG. 6 is a bottom view thereof;

FIG. 7 is a left side view thereof;

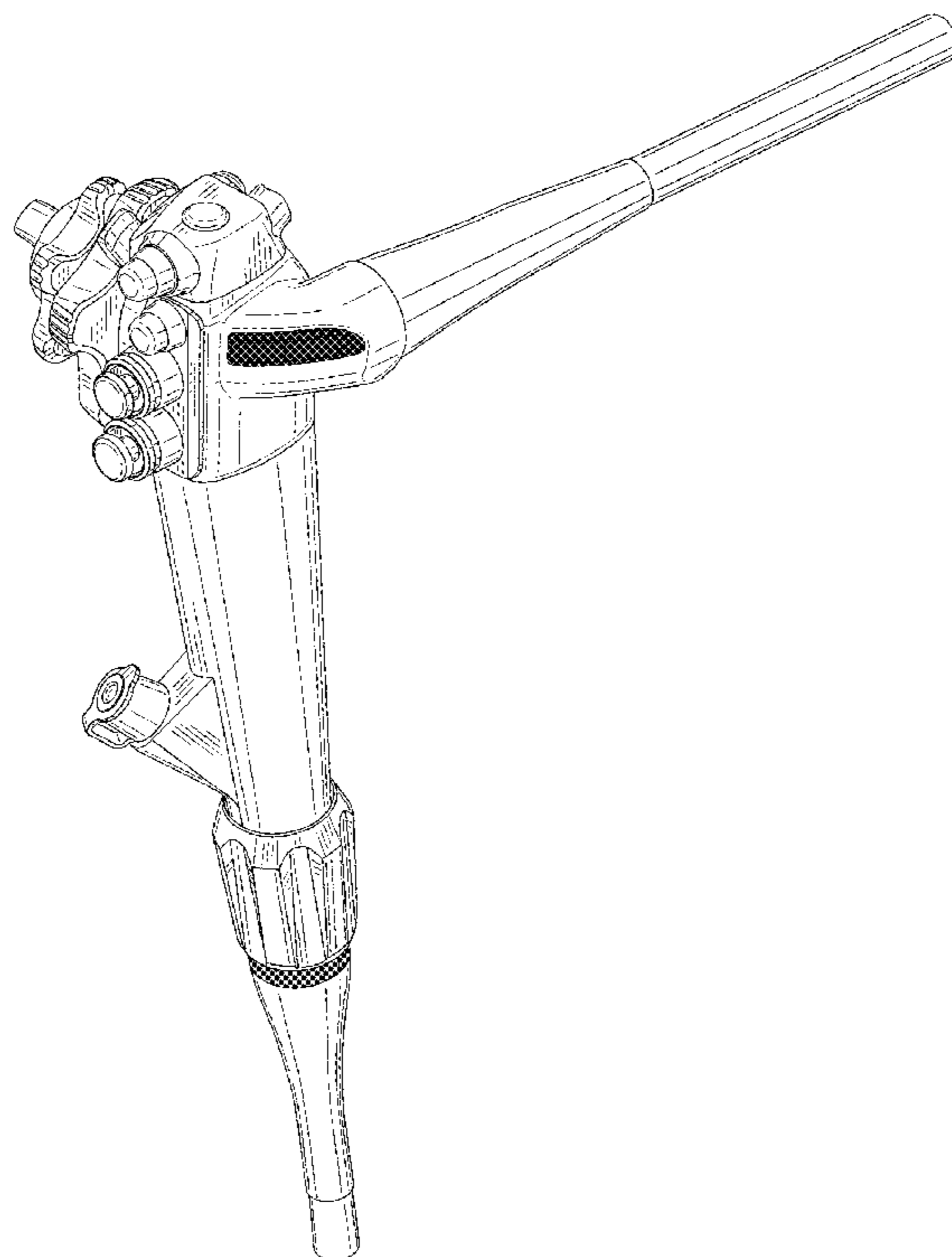
FIG. 8 is a right side view thereof;

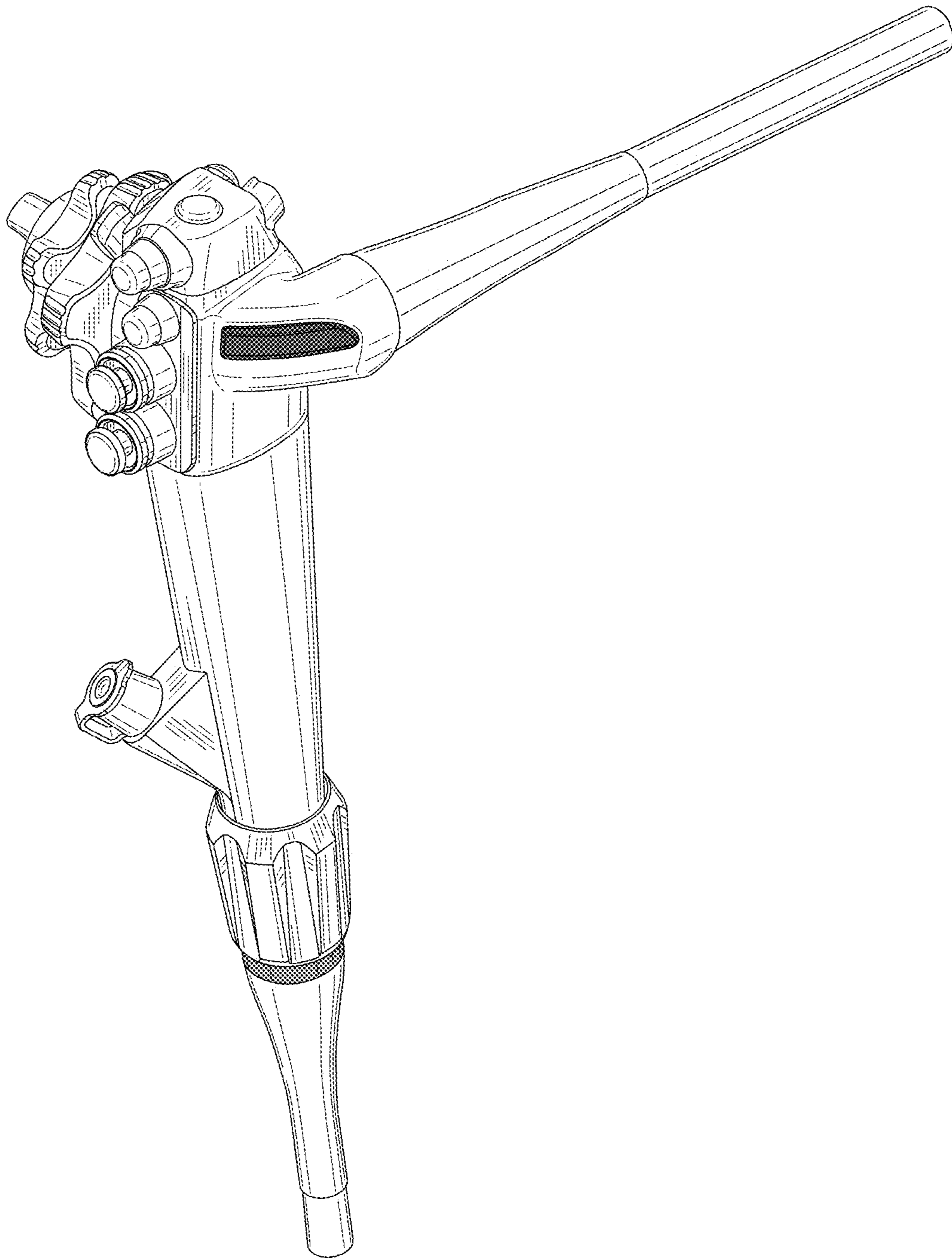
FIG. 9 is an enlarged cross sectional view thereof, taken along the line 9-9 in FIG. 3; and,

FIG. 10 is an enlarged cross sectional view thereof, taken along the line 10-10 in FIG. 3.

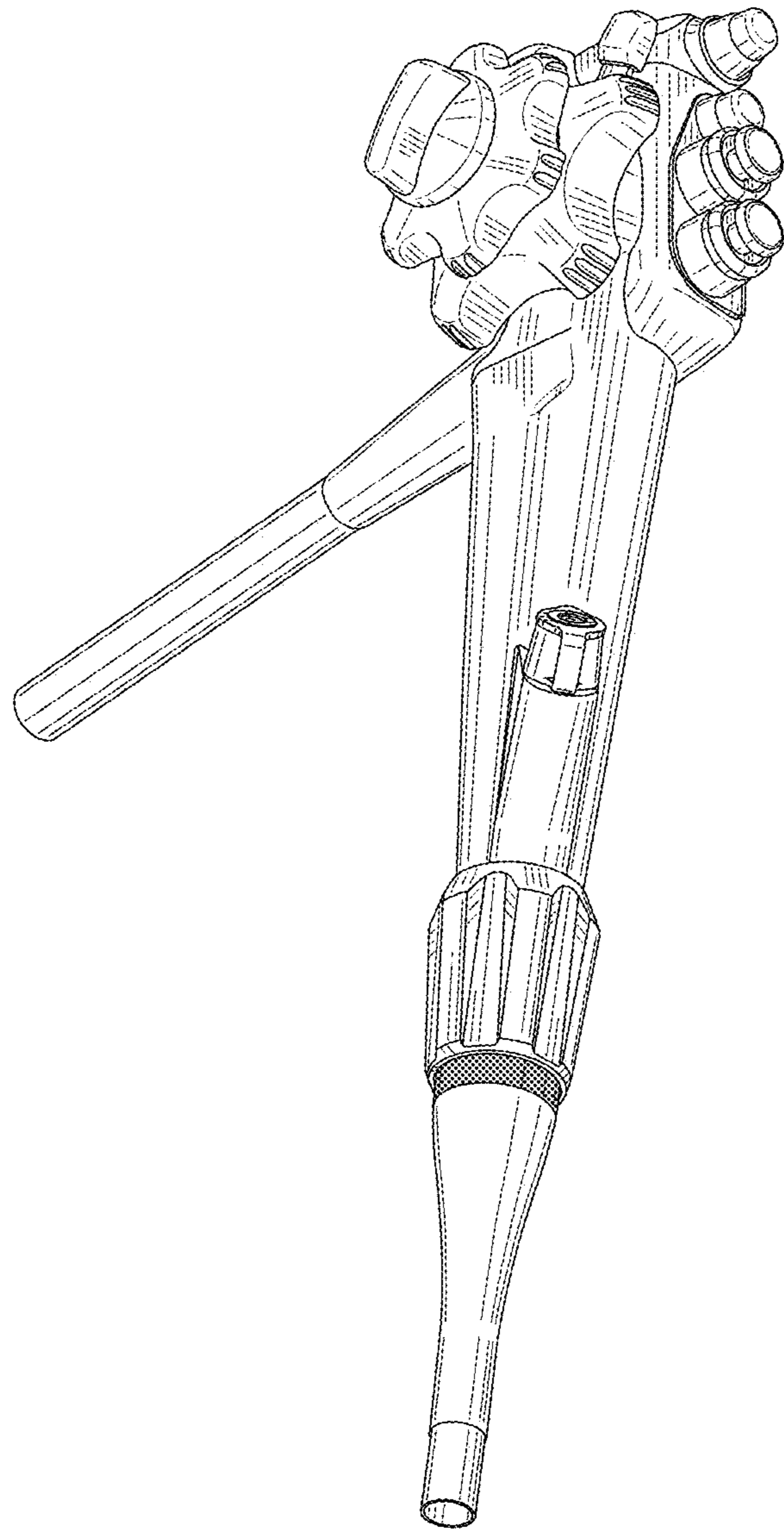
The broken lines showing the remainder thereof are for environmental purposes only and form no part of the claimed design.

**1 Claim, 7 Drawing Sheets**

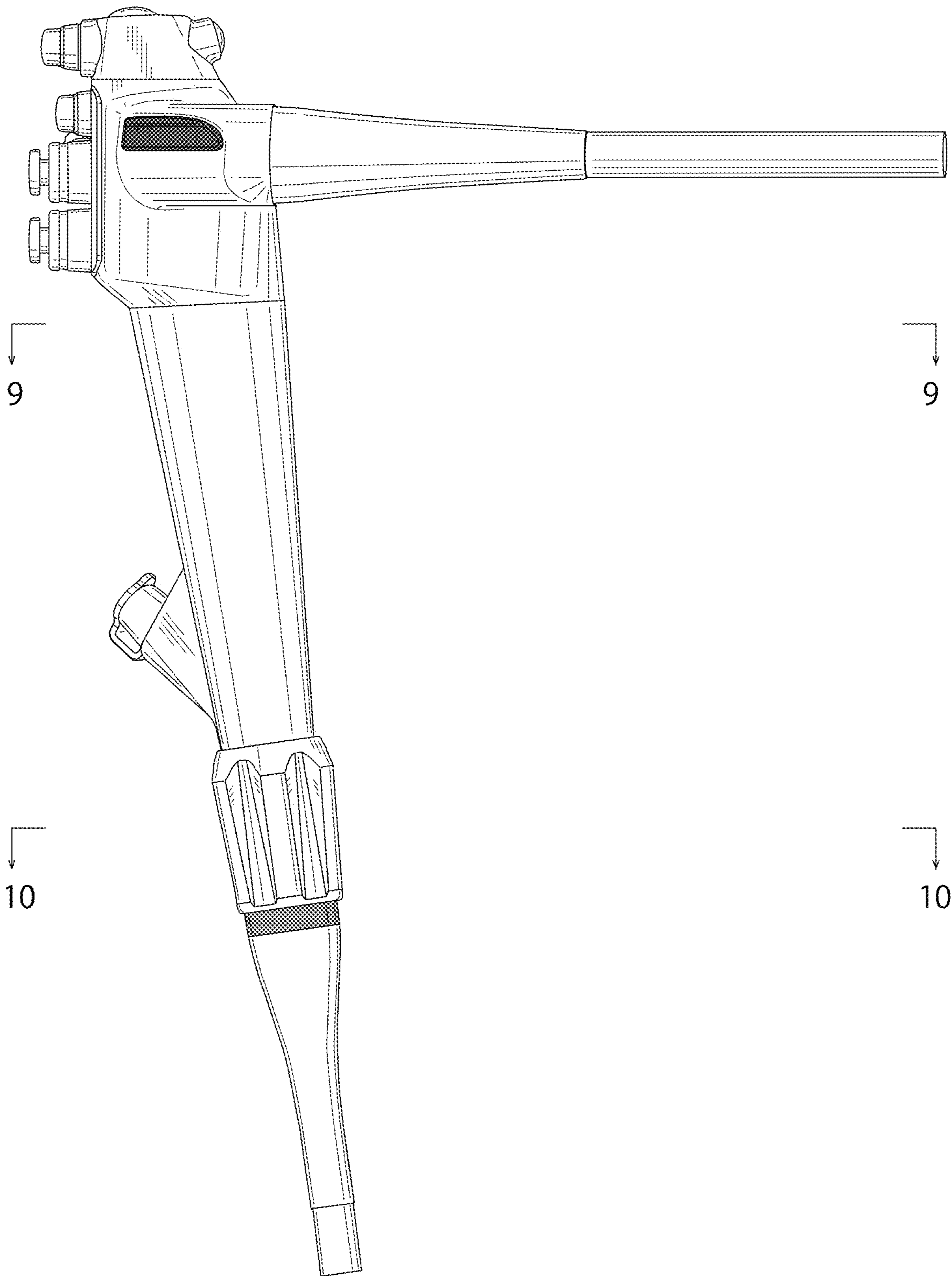




*Fig. 1*

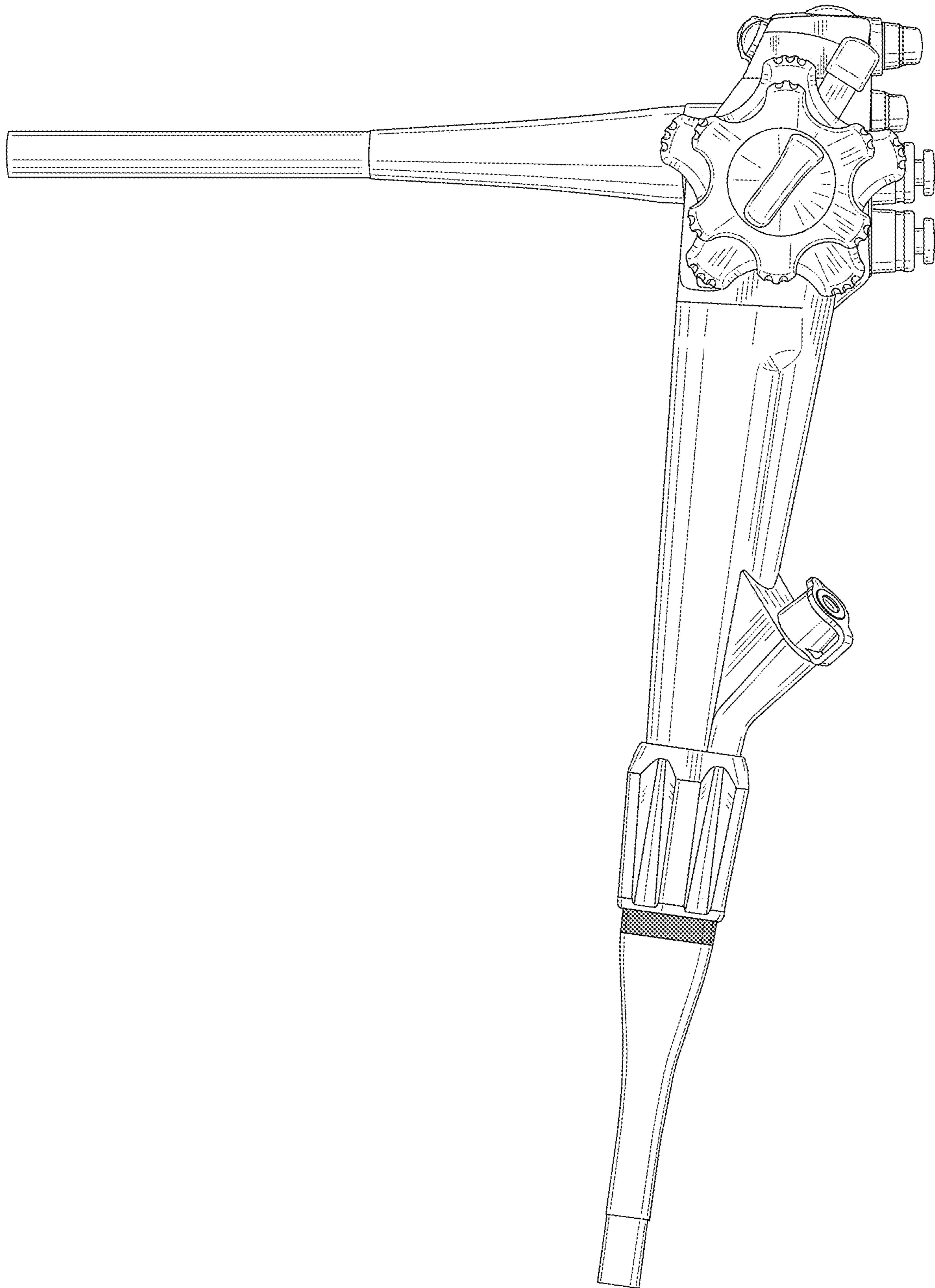


*Fig. 2*

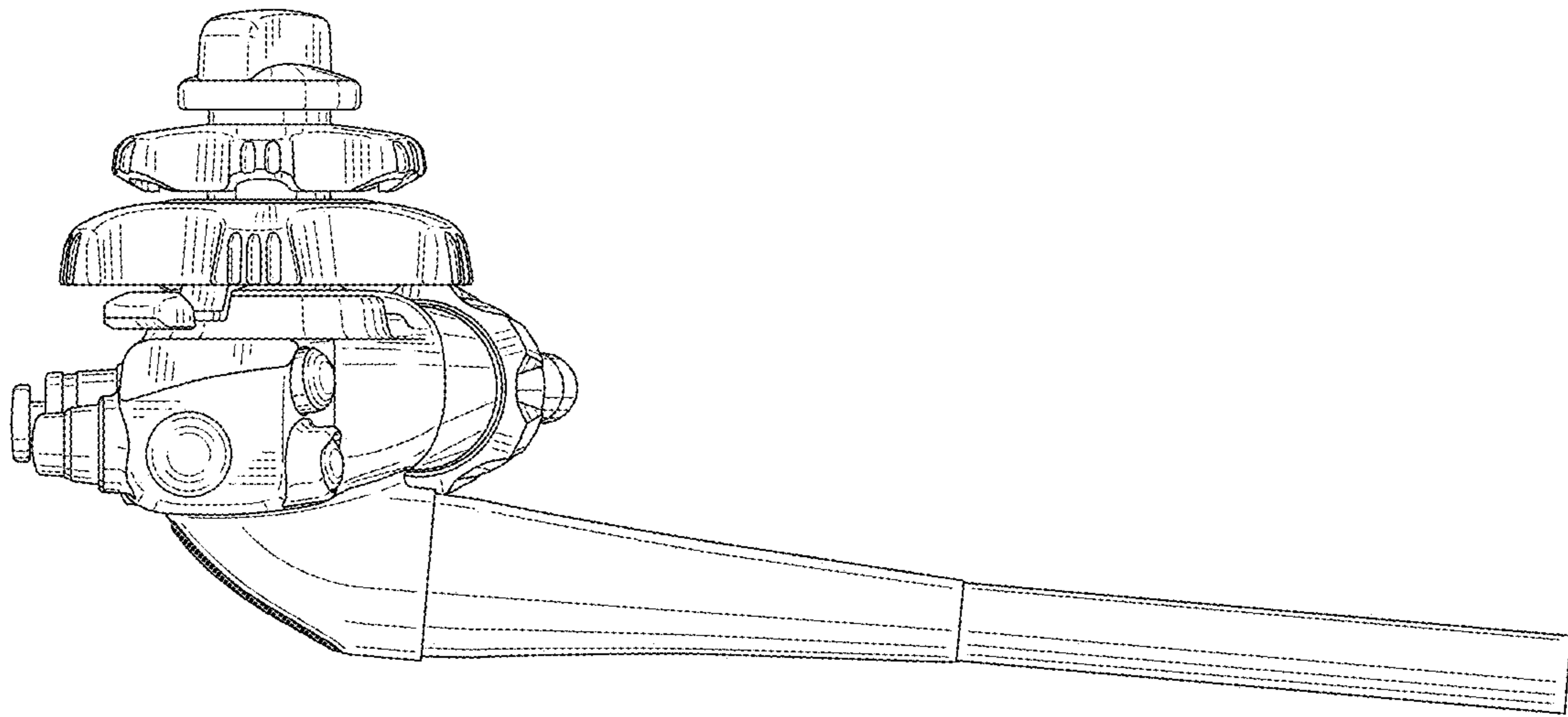


*Fig.3*

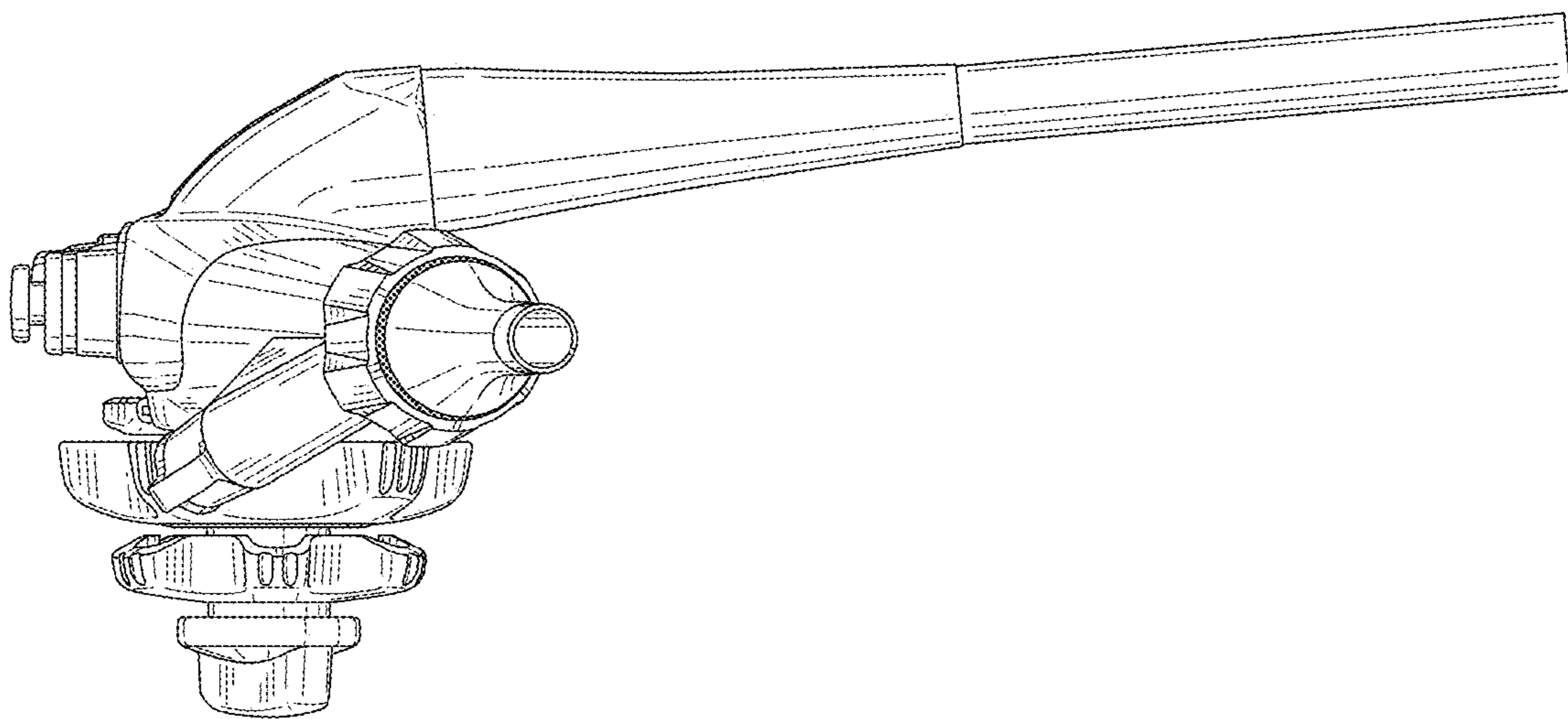




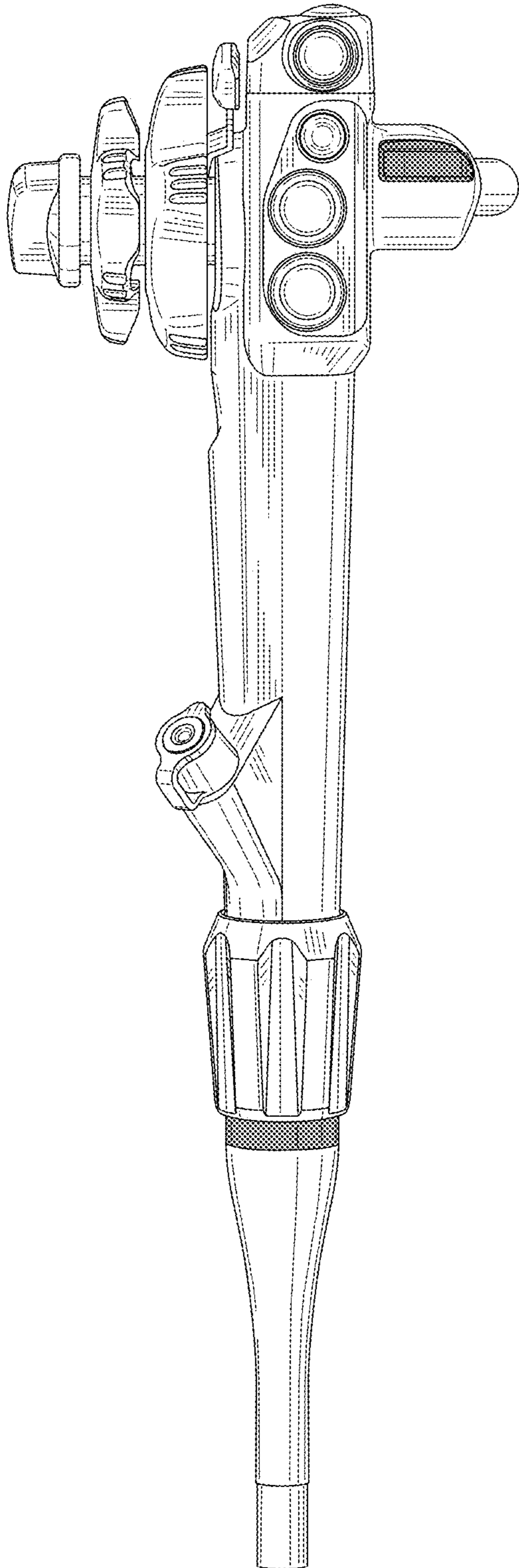
*Fig. 4*



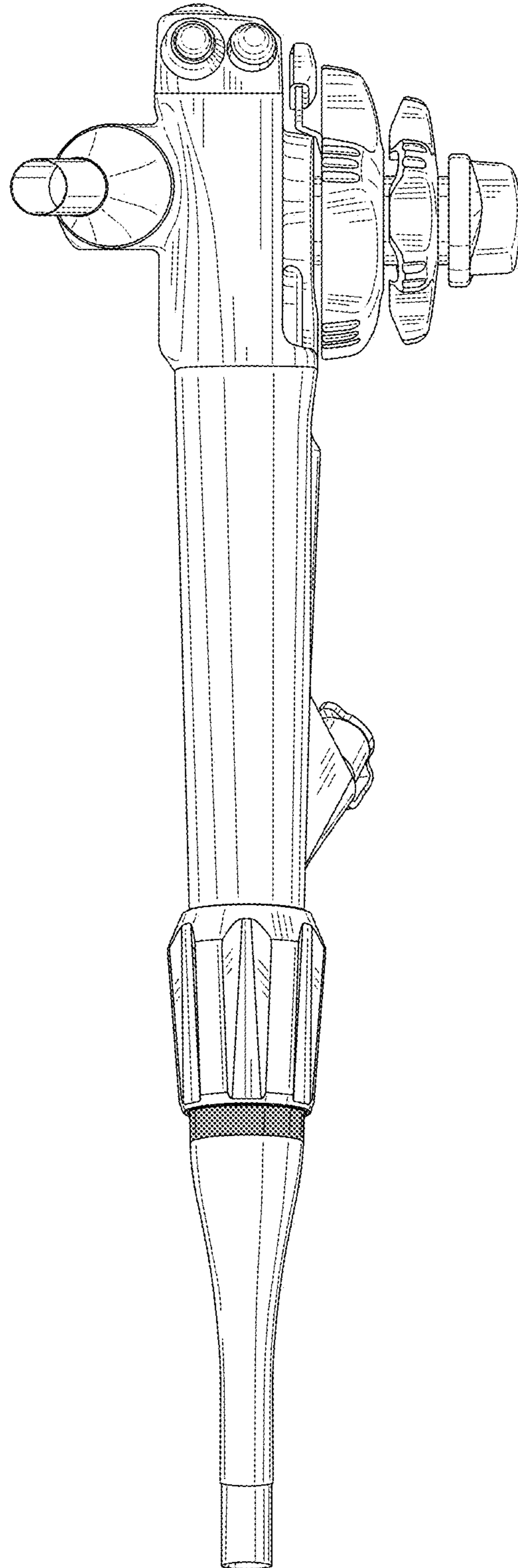
*Fig.5*



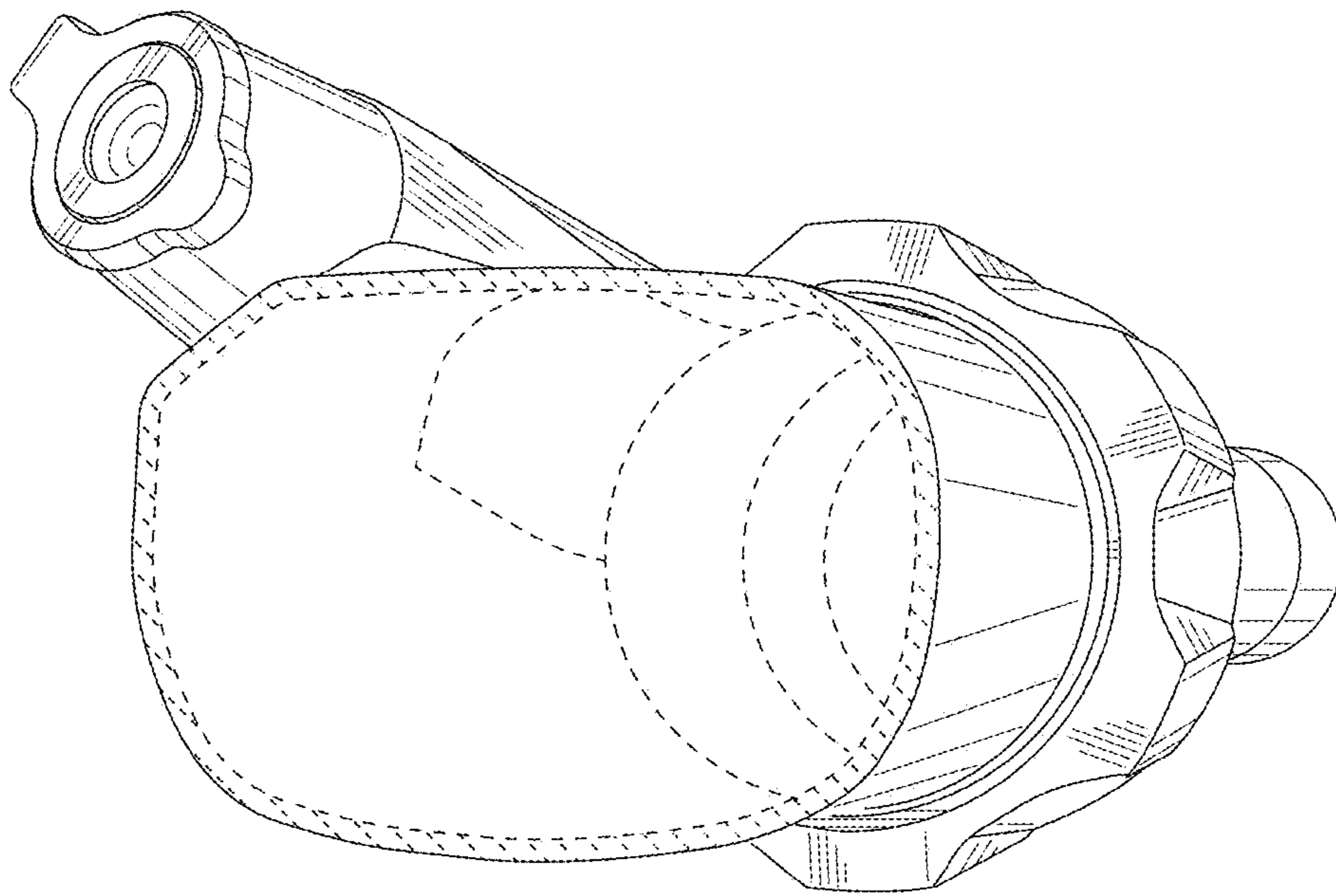
*Fig.6*



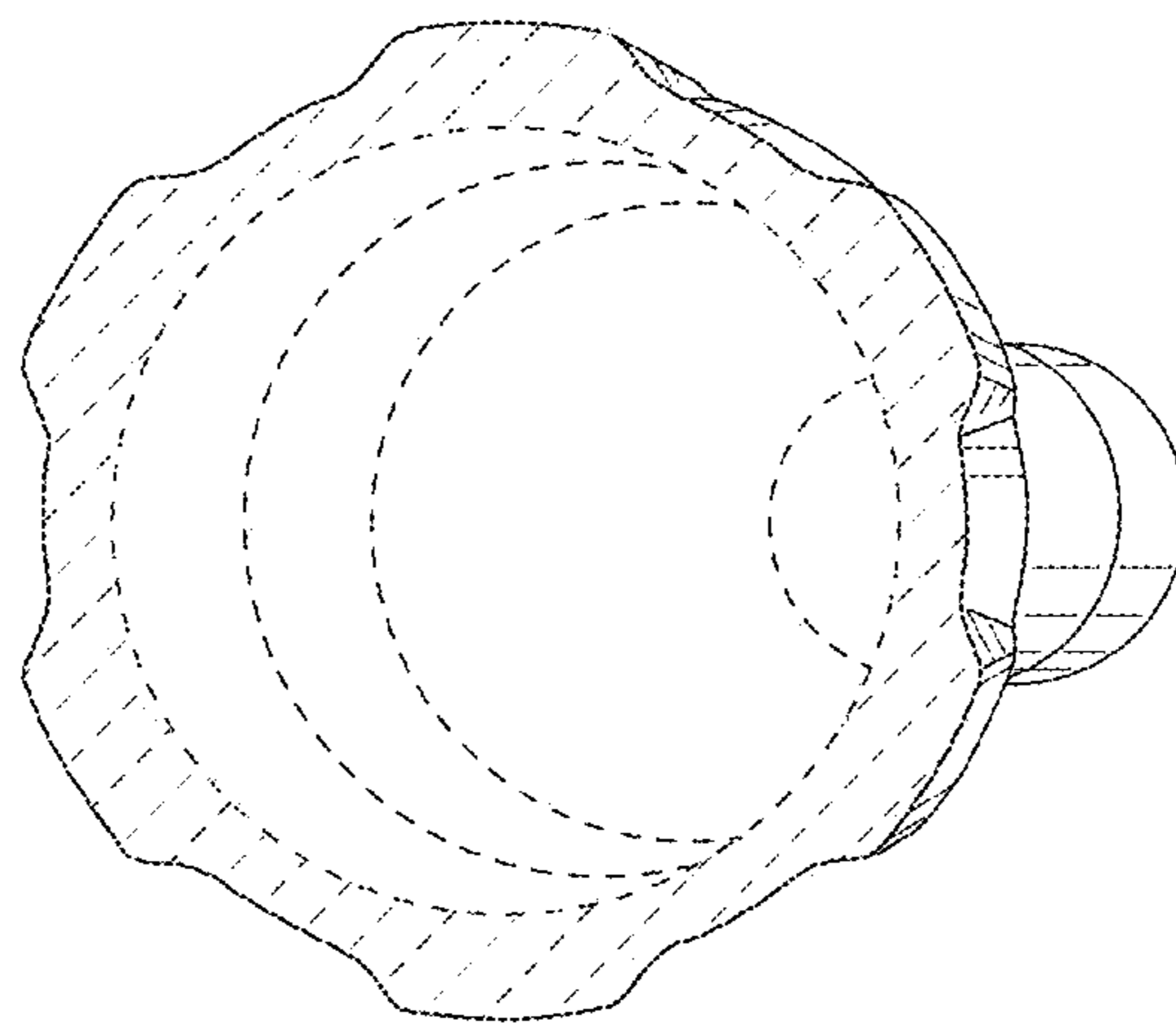
*Fig. 7*



*Fig. 8*



*Fig. 9*



*Fig. 10*