

US00D870885S

(12) **United States Design Patent** (10) **Patent No.:** **US D870,885 S**  
**Ostrovsky et al.** (45) **Date of Patent:** **\*\* Dec. 24, 2019**

(54) **UNIT CELL OF ENDOSCOPE TIP ATTACHMENT**

2006/0161046 A1 7/2006 Ouchi  
2013/0096550 A1 4/2013 Hill  
2015/0148606 A1 5/2015 Rottenberg et al.

(Continued)

(71) Applicant: **HOYA Corporation**, Tokyo (JP)

FOREIGN PATENT DOCUMENTS

(72) Inventors: **Isaac Ostrovsky**, Wellesley, MA (US);  
**Azadeh Khanicheh**, Somerville, MA (US);  
**Hrishikesh Vishvas Deo**, Brooklyn, NY (US);  
**Robb Morse Gavalis**, Westborough, MA (US)

JP 2003-339631 12/2003  
WO WO 2017068404 A1 4/2017

OTHER PUBLICATIONS

(73) Assignee: **Hoya Corporation**, Tokyo (JP)

PCT Notification of Transmittal of the International Search Report and the Written Opinion of the International Searching Authority issued in International Application No. PCT/IB2016/001056, dated Oct. 24, 2016.

(\*\*) Term: **15 Years**

(Continued)

(21) Appl. No.: **29/599,870**

(22) Filed: **Apr. 7, 2017**

*Primary Examiner* — Eliza Z Bennett-Hattan

(51) **LOC (12) Cl.** ..... **24-02**

(74) *Attorney, Agent, or Firm* — Finnegan, Henderson, Farabow, Garrett & Dunner LLP

(52) **U.S. Cl.**  
USPC ..... **D24/138**

(57) **CLAIM**

(58) **Field of Classification Search**  
USPC ..... D24/138, 137, 127, 113, 108, 133  
CPC ..... A61B 1/00126  
See application file for complete search history.

The ornamental design for a unit cell of endoscope tip attachment, as shown and described.

**DESCRIPTION**

(56) **References Cited**

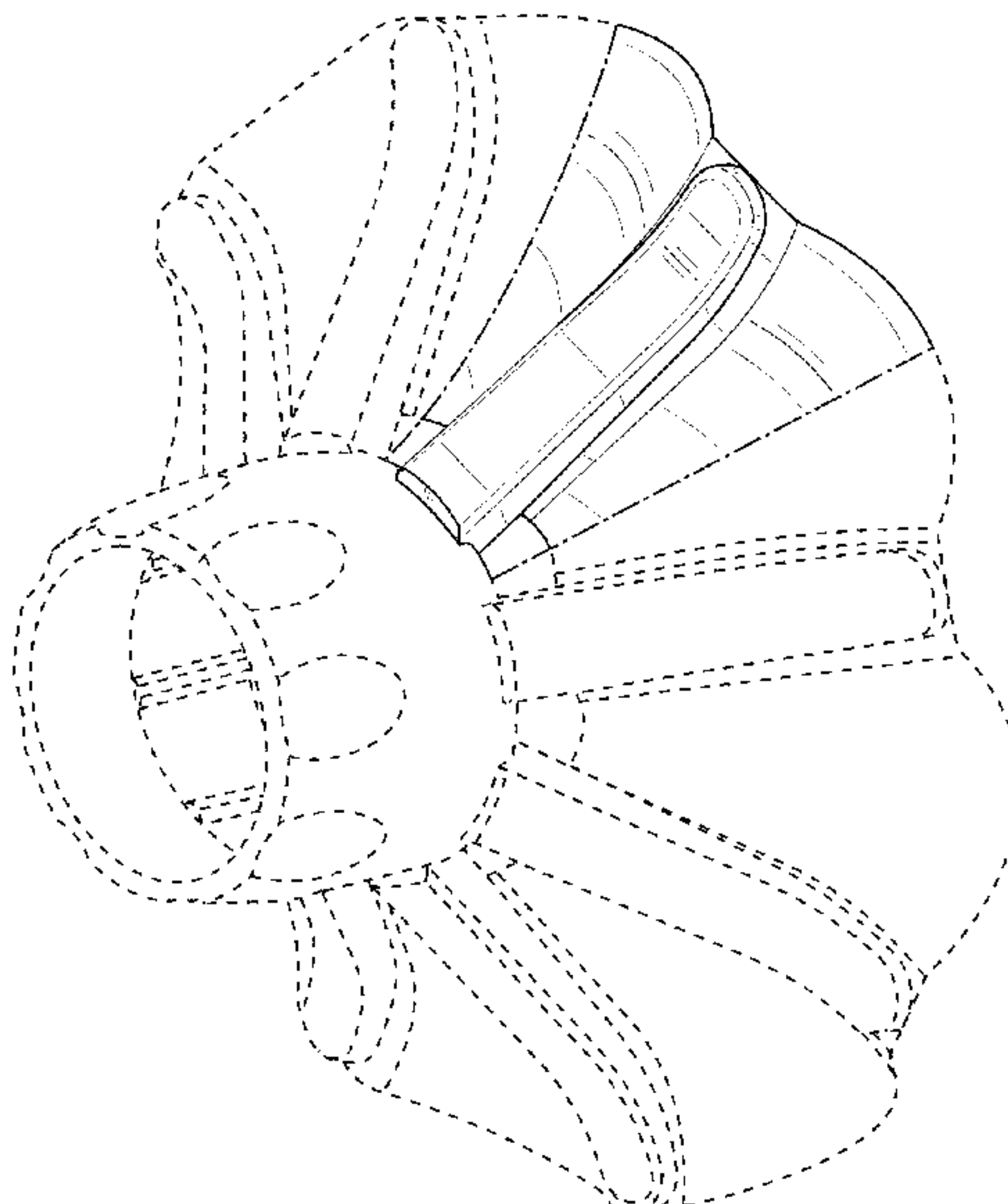
U.S. PATENT DOCUMENTS

1,675,469 A \* 7/1928 Schreiner ..... B23B 51/0406  
408/200  
D241,984 S \* 10/1976 Lahay ..... D24/127  
D242,491 S \* 11/1976 Campagna ..... D24/127  
D397,436 S \* 8/1998 Michelson ..... D24/133  
D484,241 S \* 12/2003 Peters ..... D24/108  
D616,094 S \* 5/2010 Boone, III ..... D24/133  
D637,288 S \* 5/2011 Houghton ..... D24/133  
D650,074 S \* 12/2011 Hunt ..... D24/133  
D650,075 S \* 12/2011 Anglay ..... D24/130  
D747,457 S \* 1/2016 Glace ..... D24/108  
D757,935 S \* 5/2016 Solingen ..... D24/133  
D816,215 S \* 4/2018 Dolgin ..... D24/127

FIG. 1 is a top, front, right perspective view of a unit cell of endoscope tip attachment, showing our new design; FIG. 2 is a top, rear, right perspective view thereof; FIG. 3 is a front elevation view thereof; FIG. 4 is a rear elevation view thereof; FIG. 5 is a left side elevation view thereof; FIG. 6 is a right side elevation view thereof; FIG. 7 is a top plan view thereof; and, FIG. 8 is a bottom plan view thereof.

The broken lines of even length shown in the drawings depict portions of the unit cell of endoscope tip attachment that form no part of the claimed design. The uneven length broken lines depict the boundary of the claimed design and form no part thereof.

**1 Claim, 8 Drawing Sheets**



(56)

**References Cited**

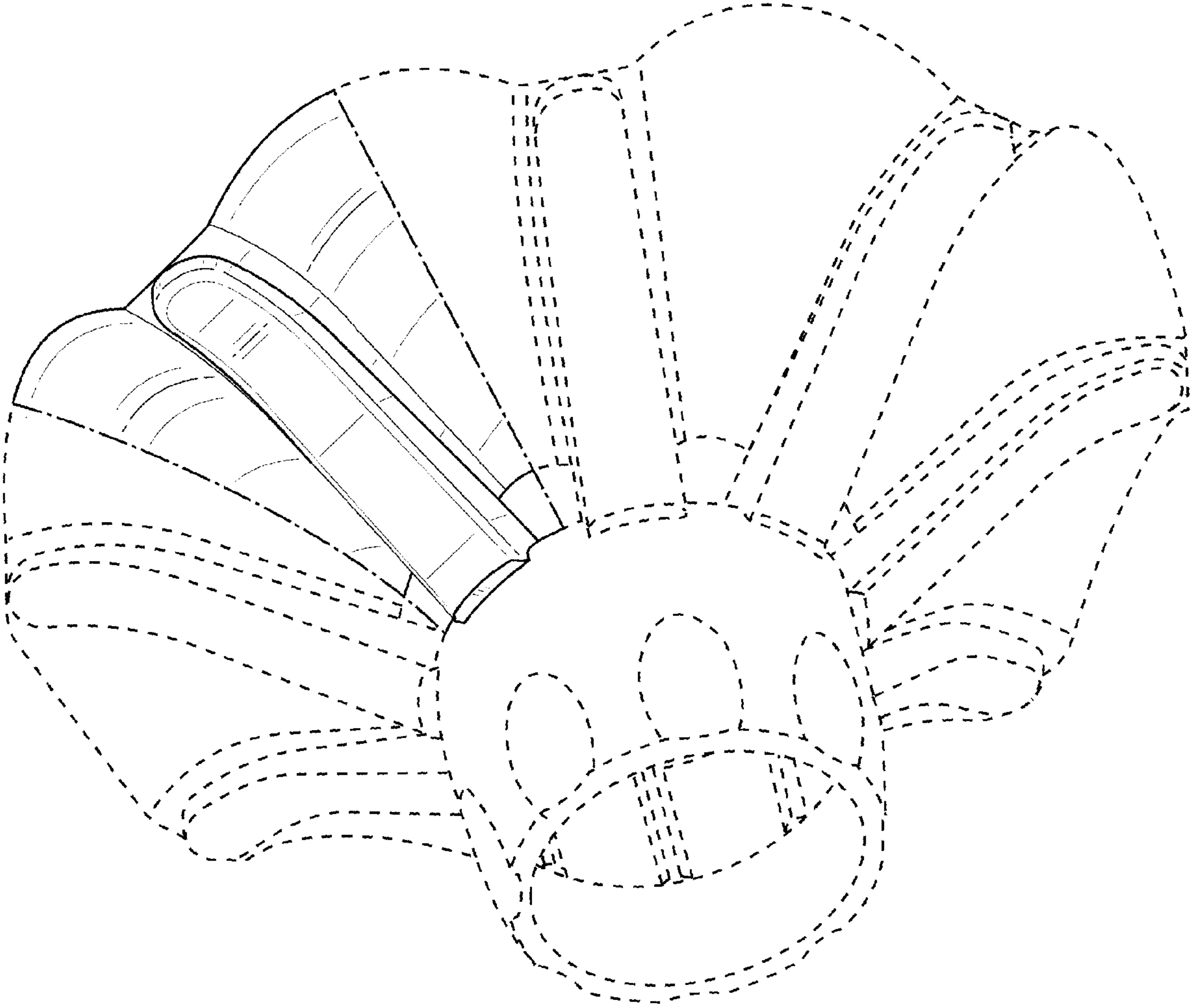
U.S. PATENT DOCUMENTS

2017/0112365 A1 4/2017 Ostrovsky et al.  
2018/0168437 A1\* 6/2018 Schreiner ..... A61B 1/00101

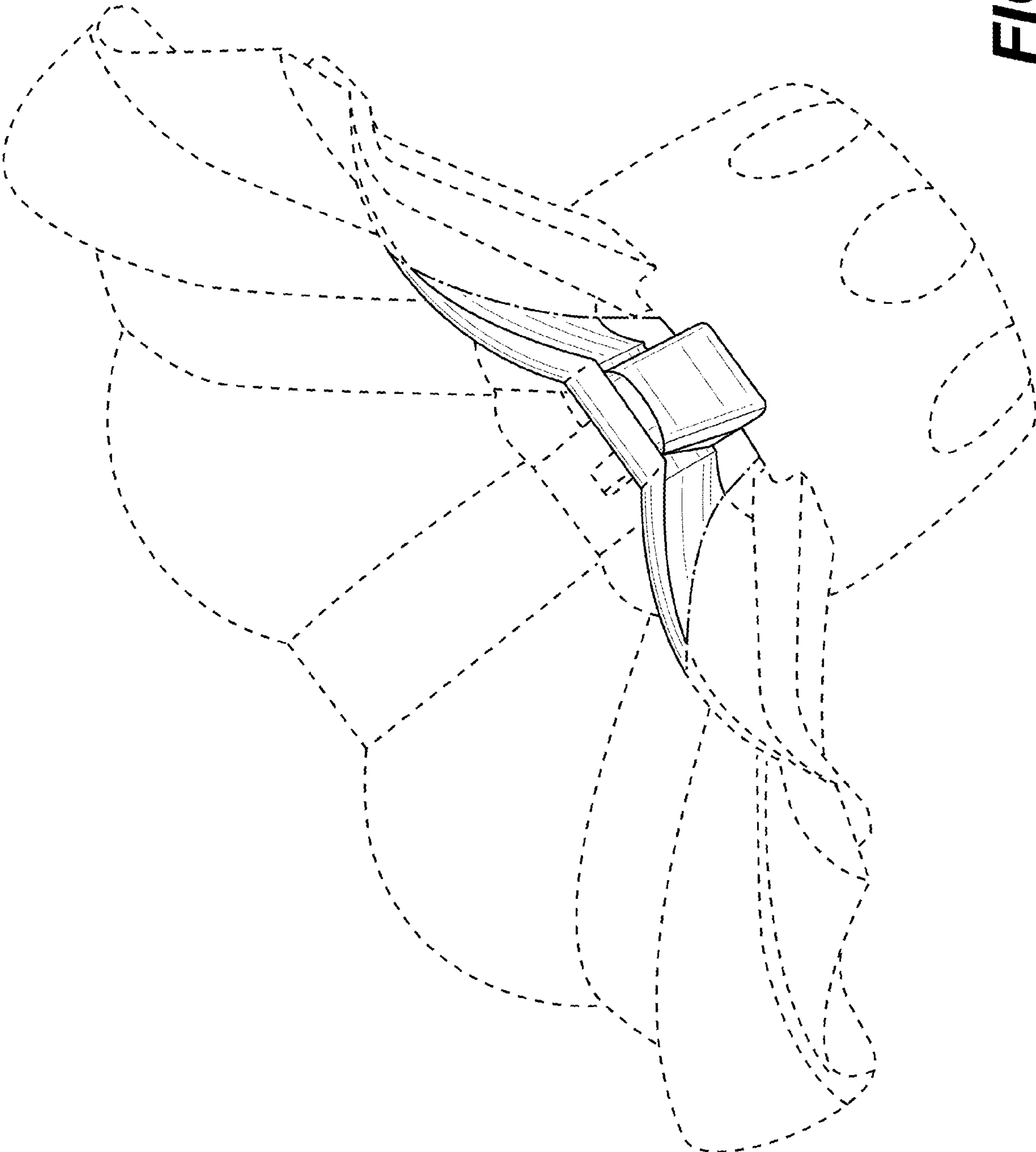
OTHER PUBLICATIONS

Design U.S. Appl. No. 29/599,863; Endoscope Tip Attachment; Isaac Ostrovsky et al; filed Apr. 7, 2017.  
Design U.S. Appl. No. 29/599,888; Endoscope Distal Tip Attachment; Isaac Ostrovsky et al; filed Apr. 7, 2017.  
Design U.S. Appl. No. 29/599,875; Base of Endoscope Tip Attachment; Isaac Ostrovsky et al; filed Apr. 7, 2017.  
Design U.S. Appl. No. 29/599,877; Slanted Base of Endoscope Tip Attachment; Isaac Ostrovsky et al; filed Apr. 7, 2017.

\* cited by examiner



**FIG. 1**



**FIG. 2**



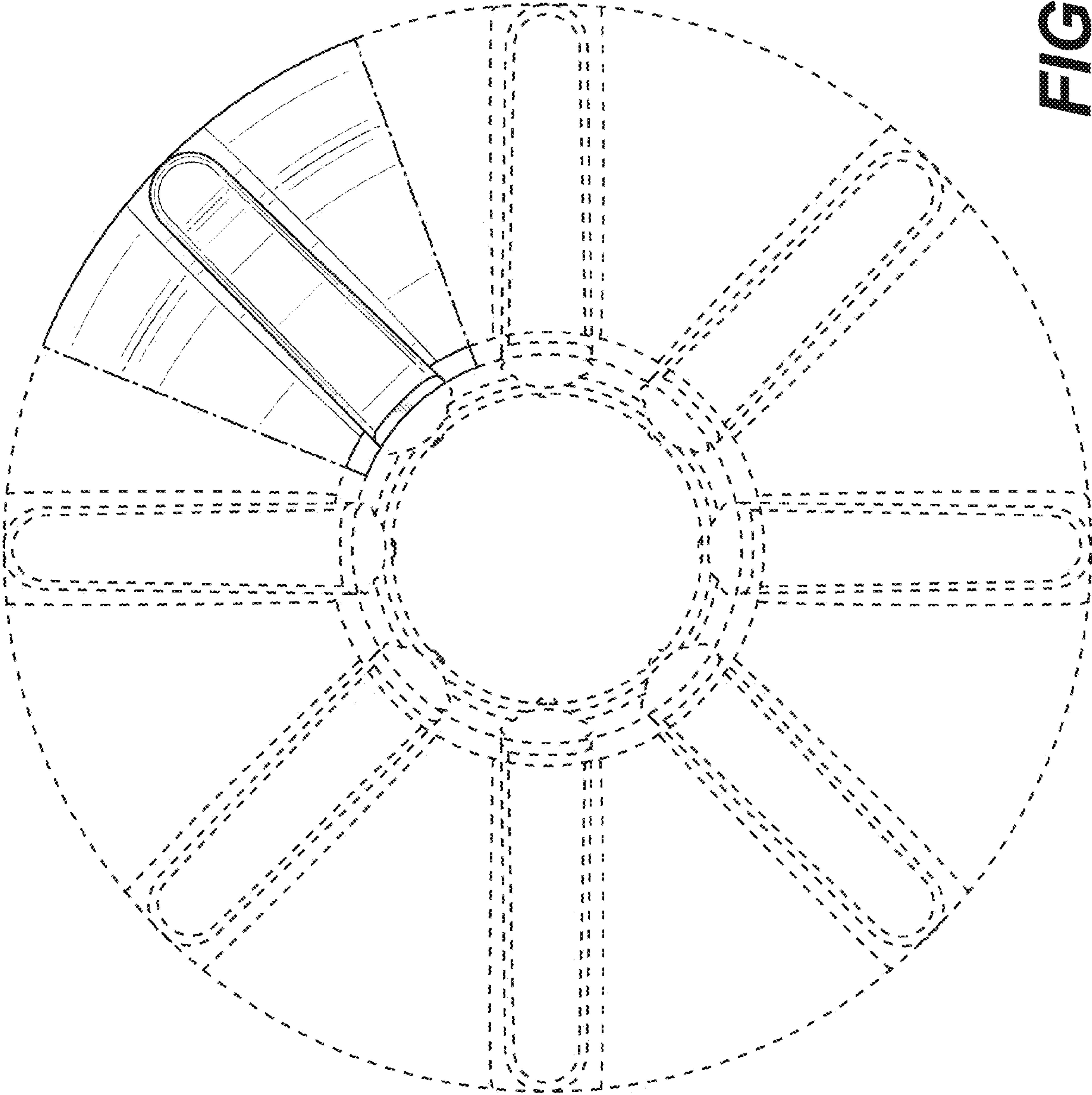
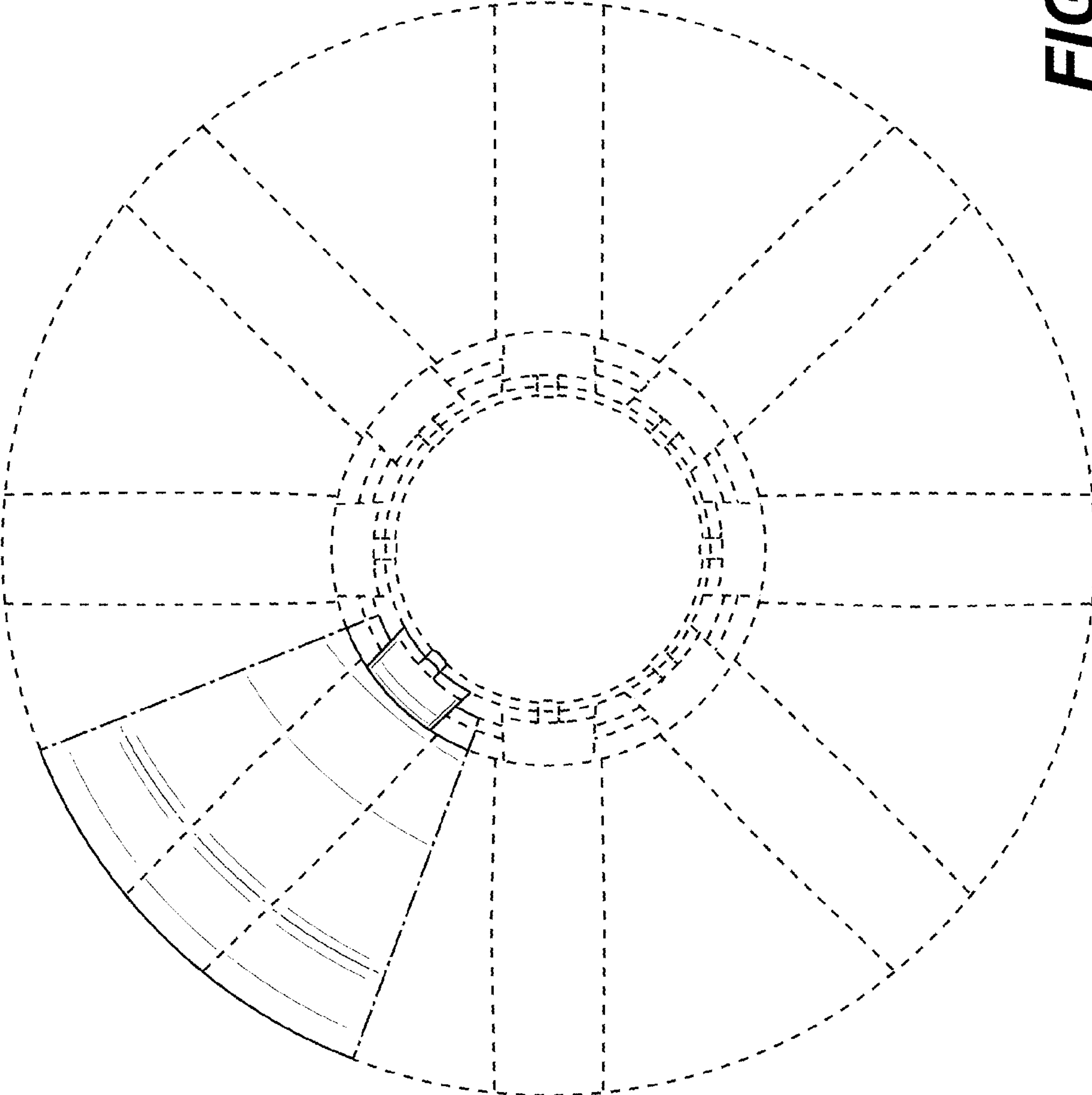


FIG. 3



**FIG. 4**

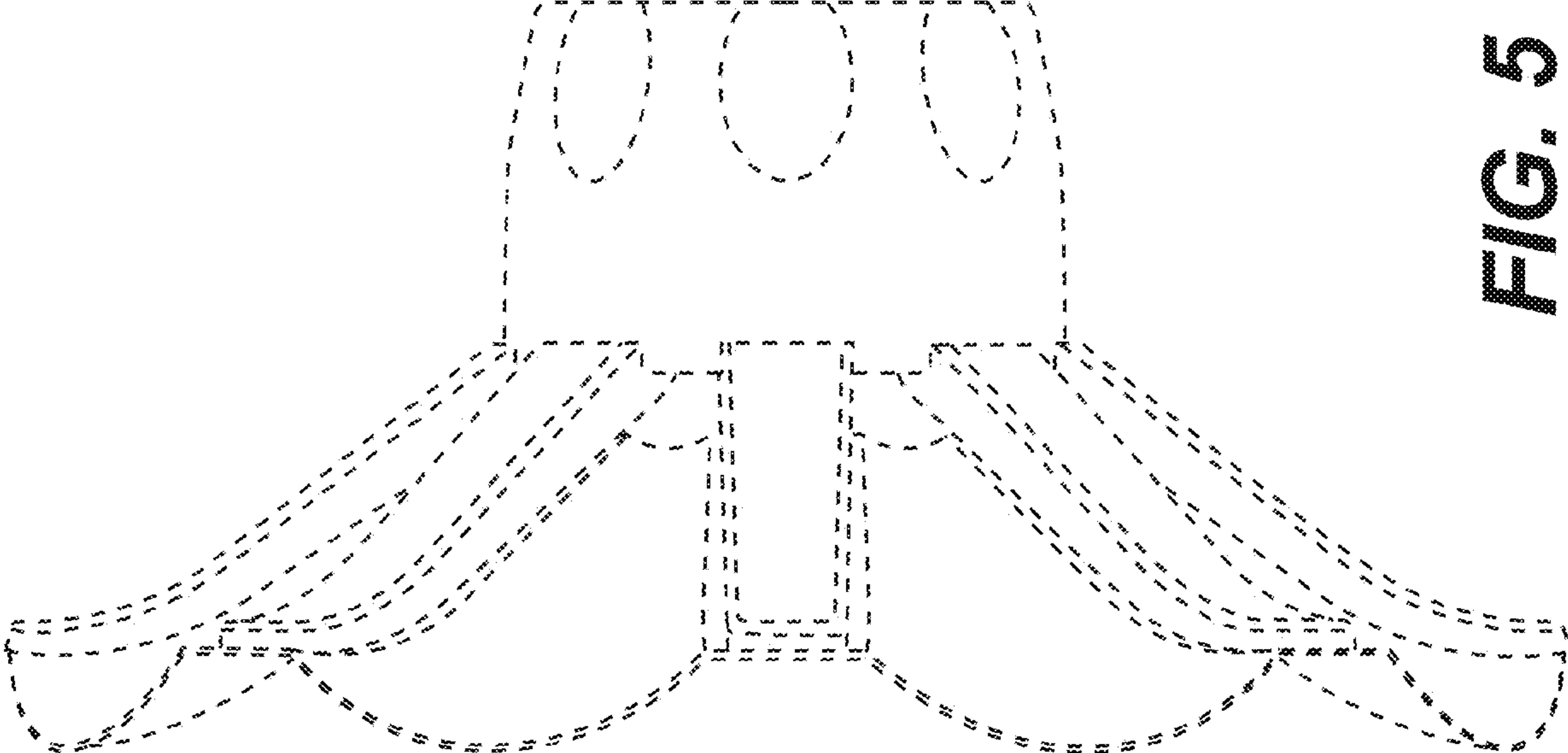
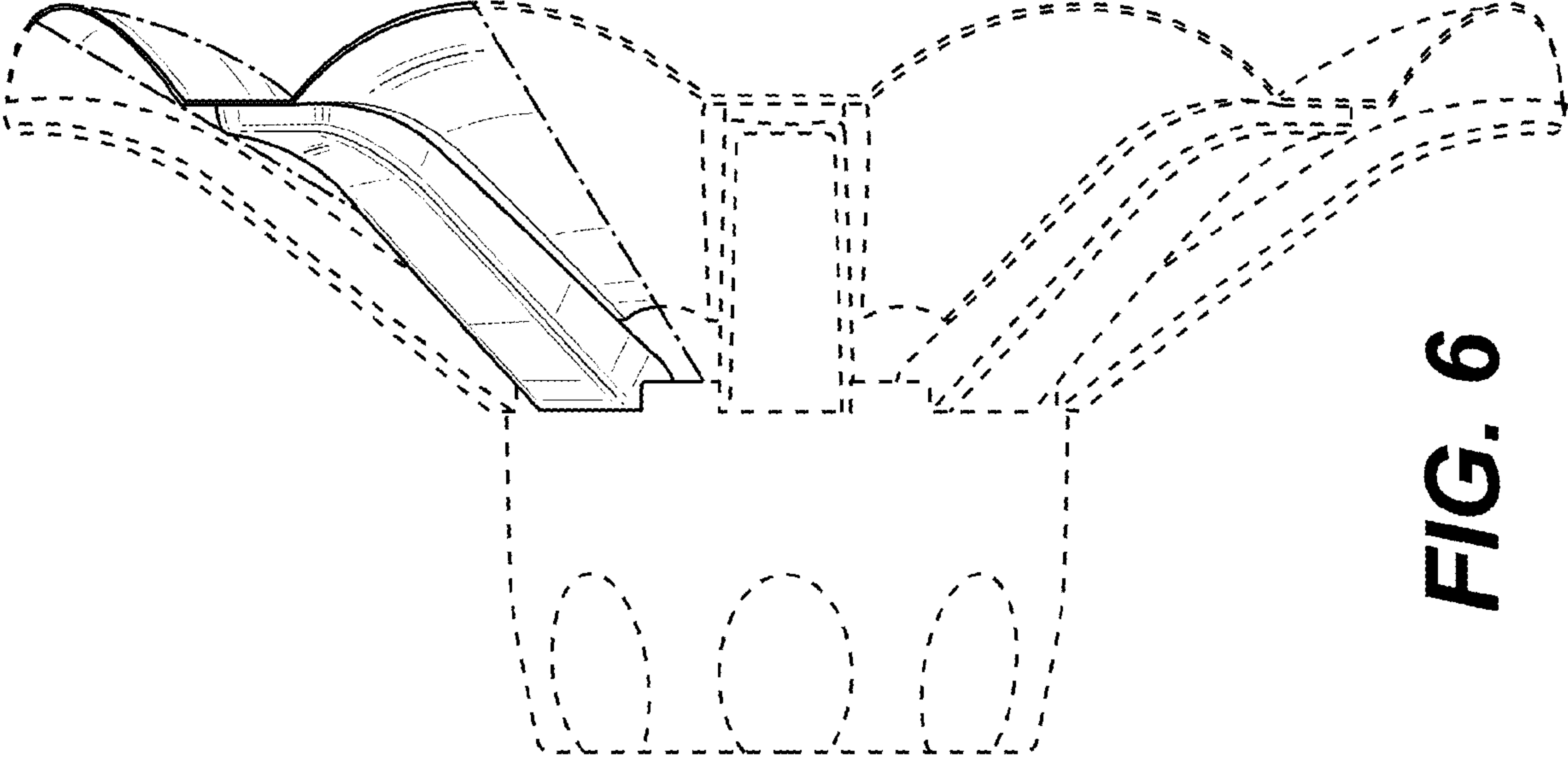
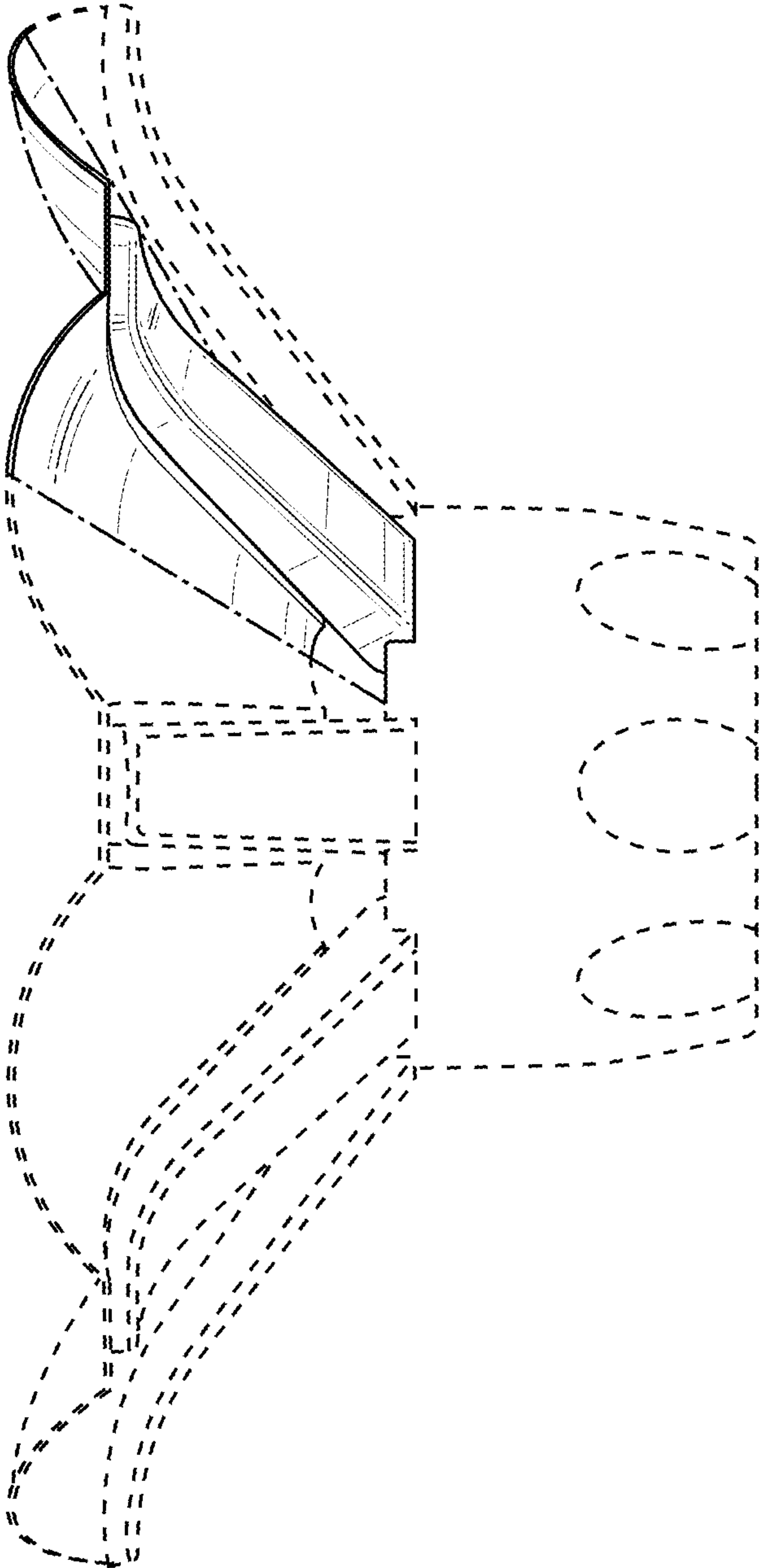


FIG. 5

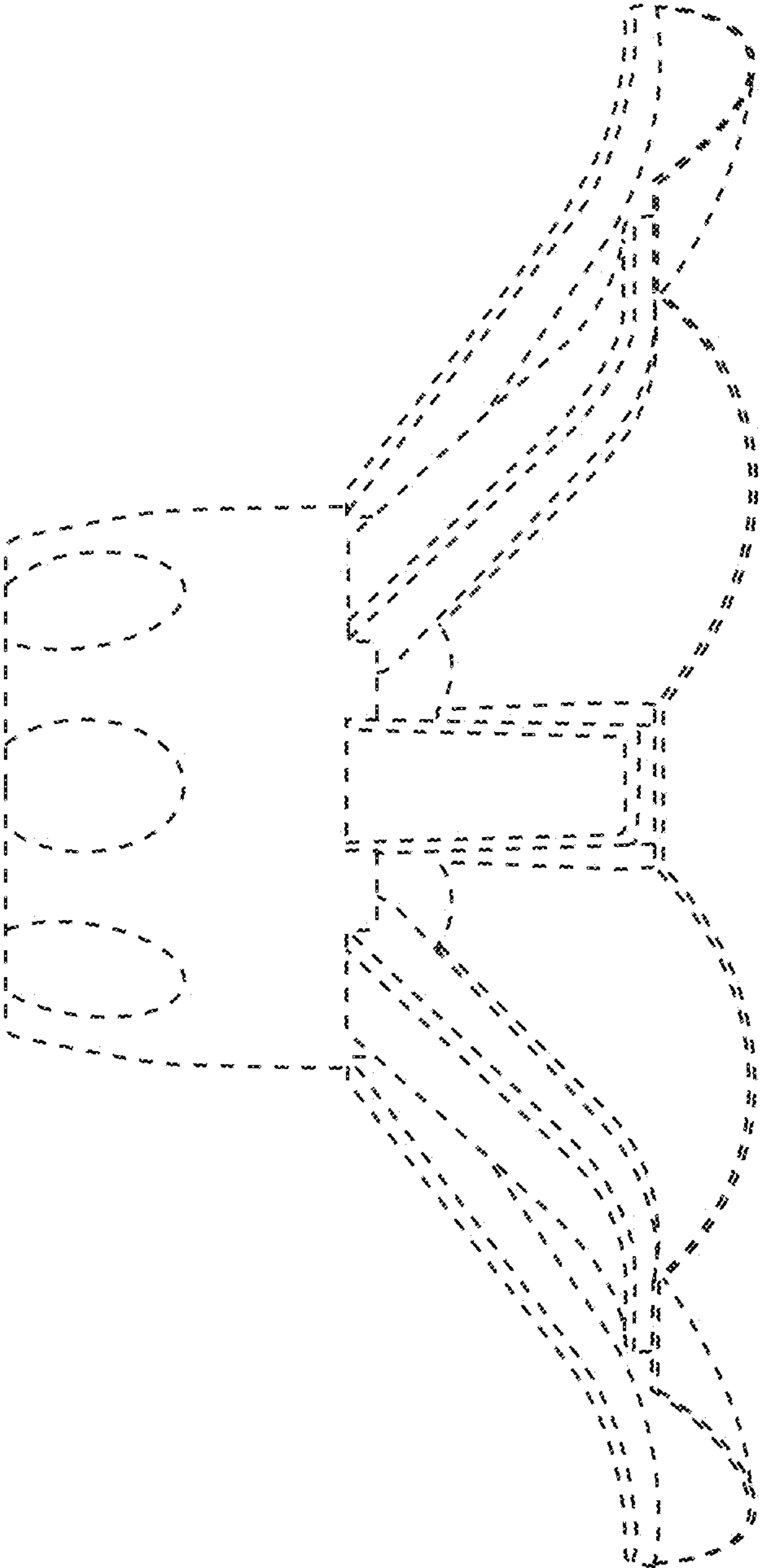


**FIG. 6**





**FIG. 7**



**FIG. 8**