



US00D870883S

(12) **United States Design Patent** (10) **Patent No.:** **US D870,883 S**  
**Harding et al.** (45) **Date of Patent:** **\*\* Dec. 24, 2019**

(54) **CATHETER HUB**

(56) **References Cited**

(71) Applicant: **Becton, Dickinson and Company**,  
Franklin Lakes, NJ (US)  
  
(72) Inventors: **Weston Harding**, Lehi, UT (US);  
**Stephen Bornhoft**, Sandy, UT (US);  
**John Stokes**, Pleasant View, UT (US);  
**Shaun Staley**, Murray, UT (US);  
**Yiping Ma**, Layton, UT (US); **Siddarth**  
**Shevgoor**, Laguna Beach, CA (US);  
**Curt Bingham**, Hyde Park, UT (US)  
  
(73) Assignee: **Becton, Dickinson and Company**,  
Franklin Lakes, NJ (US)

U.S. PATENT DOCUMENTS

4,863,432 A 9/1989 Kvalo  
4,951,977 A \* 8/1990 Shutt ..... F16L 37/122  
285/277  
D381,418 S 7/1997 Erskine et al.  
D381,422 S 7/1997 Erskine et al.  
5,676,656 A 10/1997 Brimhall  
5,713,876 A 2/1998 Bogert et al.  
5,830,190 A \* 11/1998 Howell ..... A61M 25/0631  
604/168.01  
5,951,515 A 9/1999 Osterlind  
6,004,294 A 12/1999 Brimhall et al.

(Continued)

FOREIGN PATENT DOCUMENTS

EP 0747087 B1 12/1996  
WO WO-2013137348 A1 9/2013

*Primary Examiner* — David G Muller

(74) *Attorney, Agent, or Firm* — Dickinson Wright PLLC

(\*\*) Term: **15 Years**  
  
(21) Appl. No.: **29/696,793**  
  
(22) Filed: **Jul. 1, 2019**

(57) **CLAIM**

The ornamental design for a catheter hub, as shown and described.

**Related U.S. Application Data**

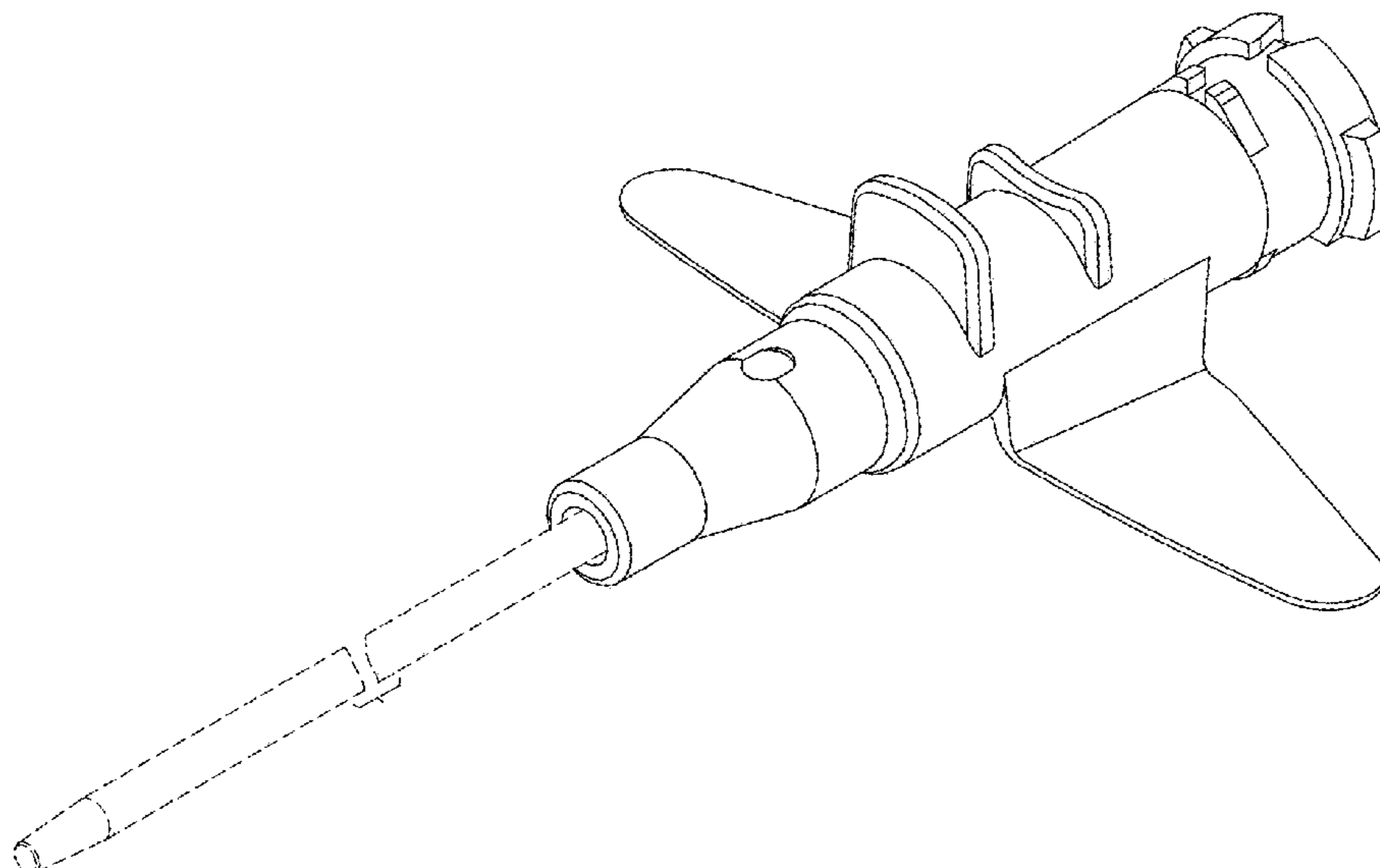
(62) Division of application No. 29/591,954, filed on Jan. 25, 2017.  
  
(51) **LOC (12) Cl.** ..... **24-02**  
(52) **U.S. Cl.**  
USPC ..... **D24/130**  
  
(58) **Field of Classification Search**  
USPC ..... D24/127–131, 112–114, 133, 186;  
606/181, 185; 604/264, 523–528, 272,  
604/187, 158, 164.01–164.11, 181, 184,  
604/227; 600/101, 139, 143;  
128/200.24, 207.14, 207.15  
CPC ..... A61M 25/00; A61M 39/00; A61M 27/00;  
A61M 25/0043; A61M 25/0067; A61M  
25/0097; A61F 2/958

See application file for complete search history.

**DESCRIPTION**

FIG. 1 is a top front perspective view of a catheter hub embodying our new design;  
FIG. 2 is a bottom perspective view thereof;  
FIG. 3 is a top rear perspective view thereof;  
FIG. 4 is a top plan view thereof;  
FIG. 5 is a side elevation view thereof;  
FIG. 6 is an opposite side elevation view thereof;  
FIG. 7 is a bottom plan view thereof;  
FIG. 8 is a front elevation view thereof; and,  
FIG. 9 is a rear elevation view thereof.  
The ornamental design that is claimed is shown in solid lines in the drawings. The broken lines in the drawings represent portions of the catheter hub that form no part of the claimed design.

**1 Claim, 7 Drawing Sheets**



(56)

References Cited

U.S. PATENT DOCUMENTS

6,379,333 B1 *	4/2002	Brimhall .....	A61M 5/3273	604/110	8,591,467 B2	11/2013	Walker et al.	
D459,802 S	7/2002	Cindrich			9,011,382 B2 *	4/2015	Nilsson .....	A61M 25/0606
6,638,252 B2	10/2003	Moulton et al.						604/164.02
6,652,486 B2 *	11/2003	Bialecki .....	A61M 25/0618	604/110	9,056,188 B2	6/2015	Hager et al.	
6,652,490 B2 *	11/2003	Howell .....	A61M 5/3273	604/110	9,095,679 B2	8/2015	Nishimura et al.	
D491,266 S	6/2004	Cindrich et al.			D748,777 S *	2/2016	Uenishi .....	D24/130
D492,031 S	6/2004	Cindrich et al.			D752,214 S	3/2016	Limaye et al.	
6,749,588 B1	6/2004	Howell et al.			D755,371 S	5/2016	Limaye et al.	
D592,302 S	5/2009	Stokes et al.			9,687,633 B2 *	6/2017	Teoh .....	A61M 25/0612
D605,287 S *	12/2009	Crawford .....	D24/130		9,867,940 B2 *	1/2018	Holmqvist .....	A61M 5/20
7,658,725 B2 *	2/2010	Bialecki .....	A61M 25/0606	604/164.08	2008/0140011 A1	6/2008	Hager et al.	
7,722,569 B2	5/2010	Soderholm et al.			2014/0303561 A1	10/2014	Li	
7,753,887 B2 *	7/2010	Botich .....	A61M 25/0631	604/110	2014/0364809 A1	12/2014	Isaacson et al.	
					2015/0238733 A1	8/2015	bin Abdulla	

\* cited by examiner

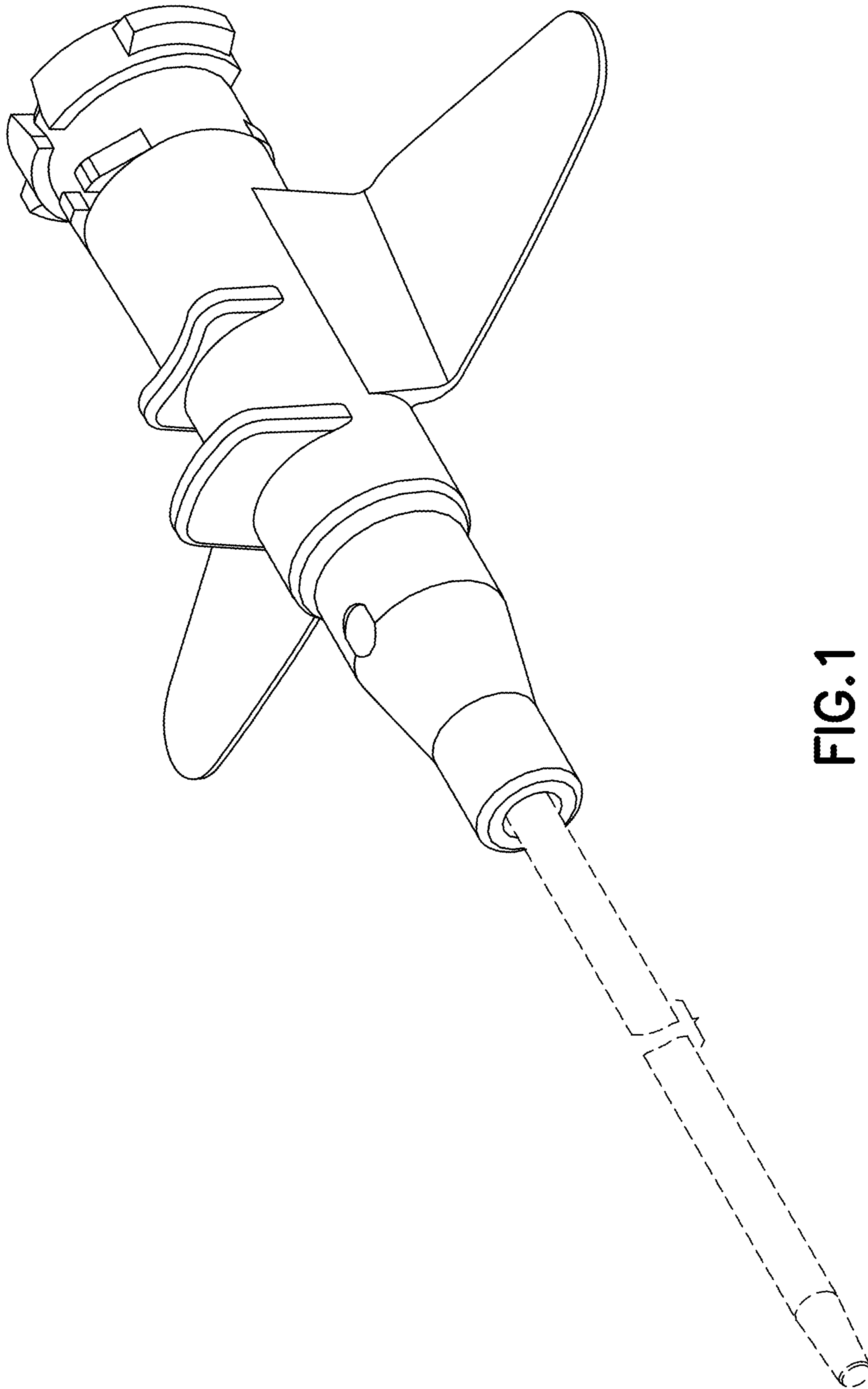


FIG. 1

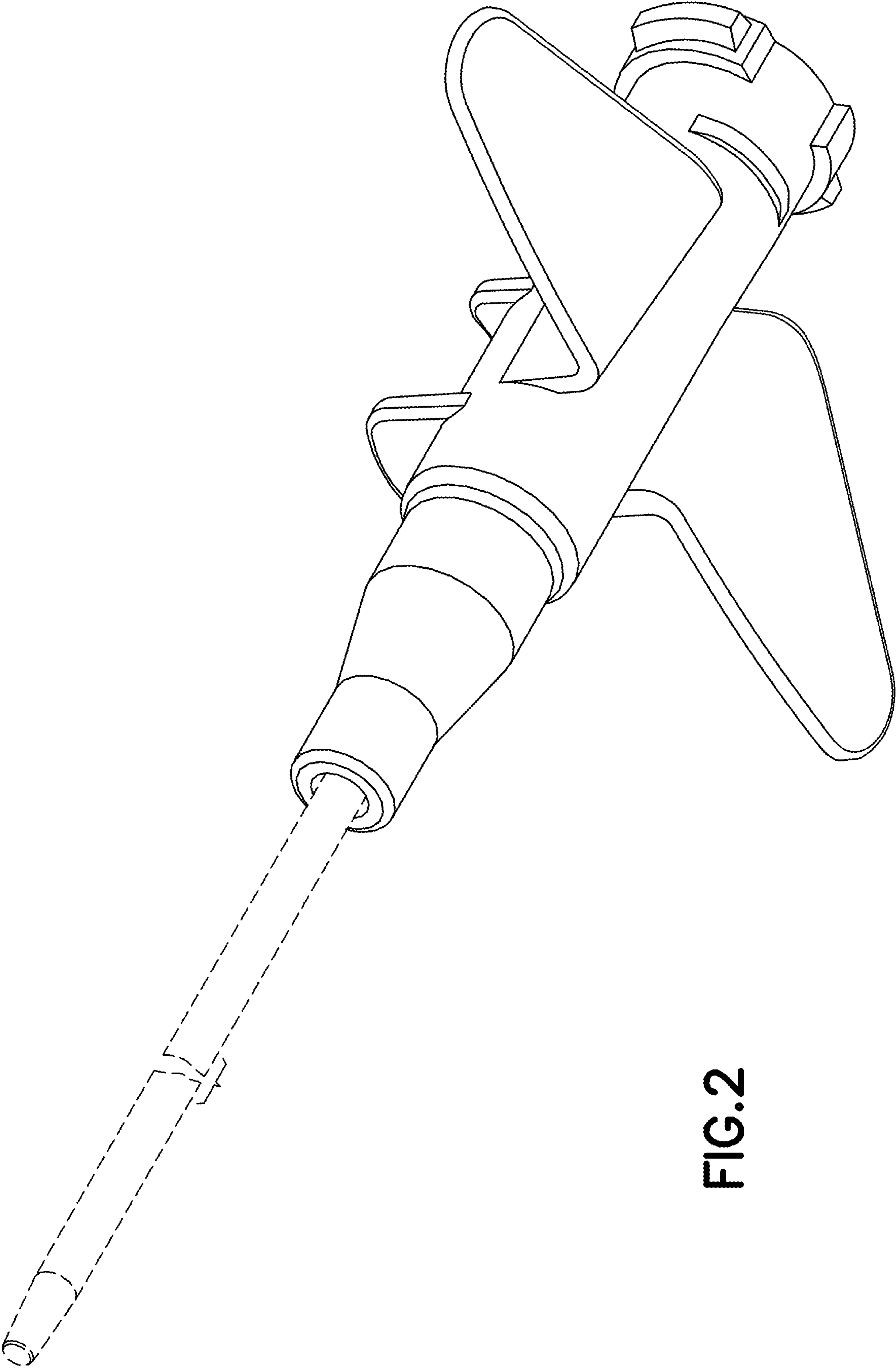


FIG. 2

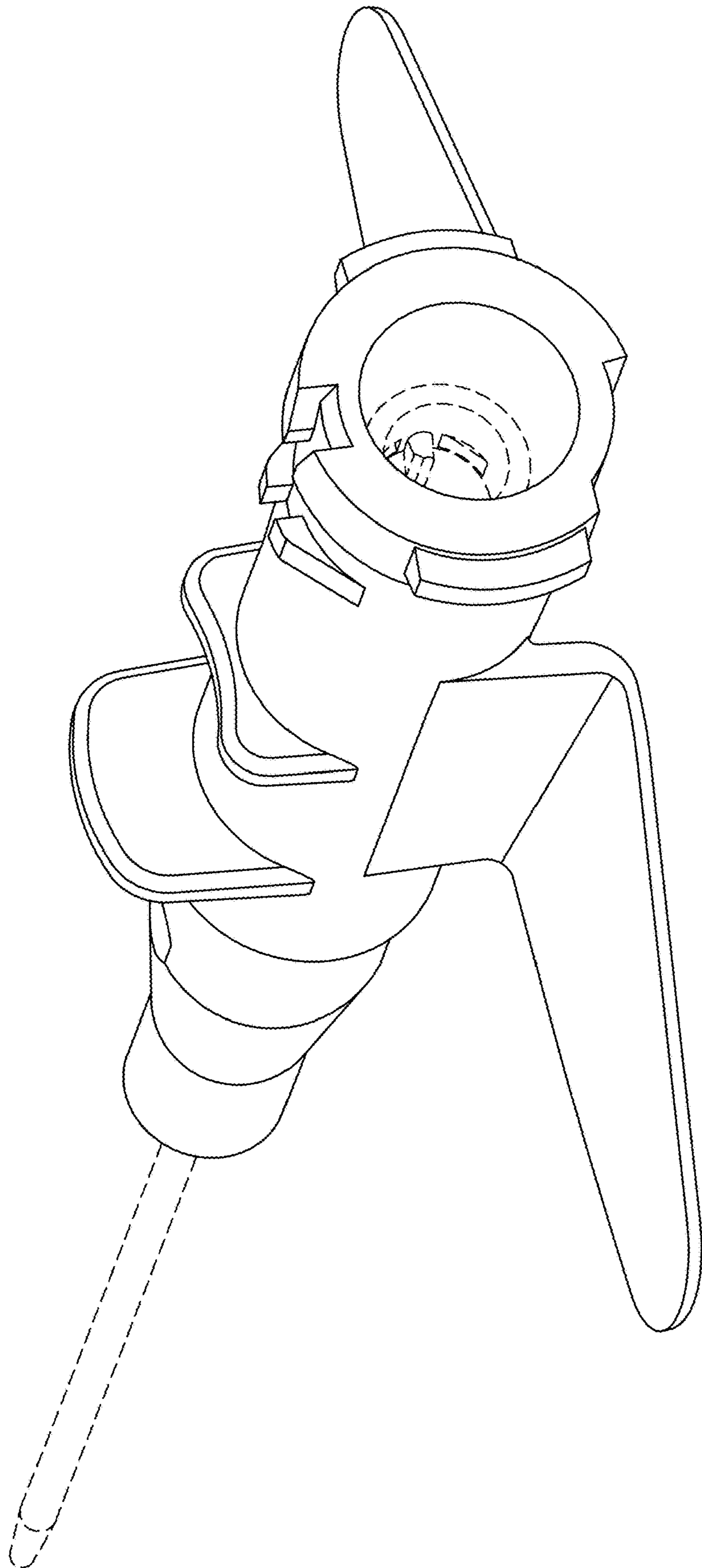


FIG.3

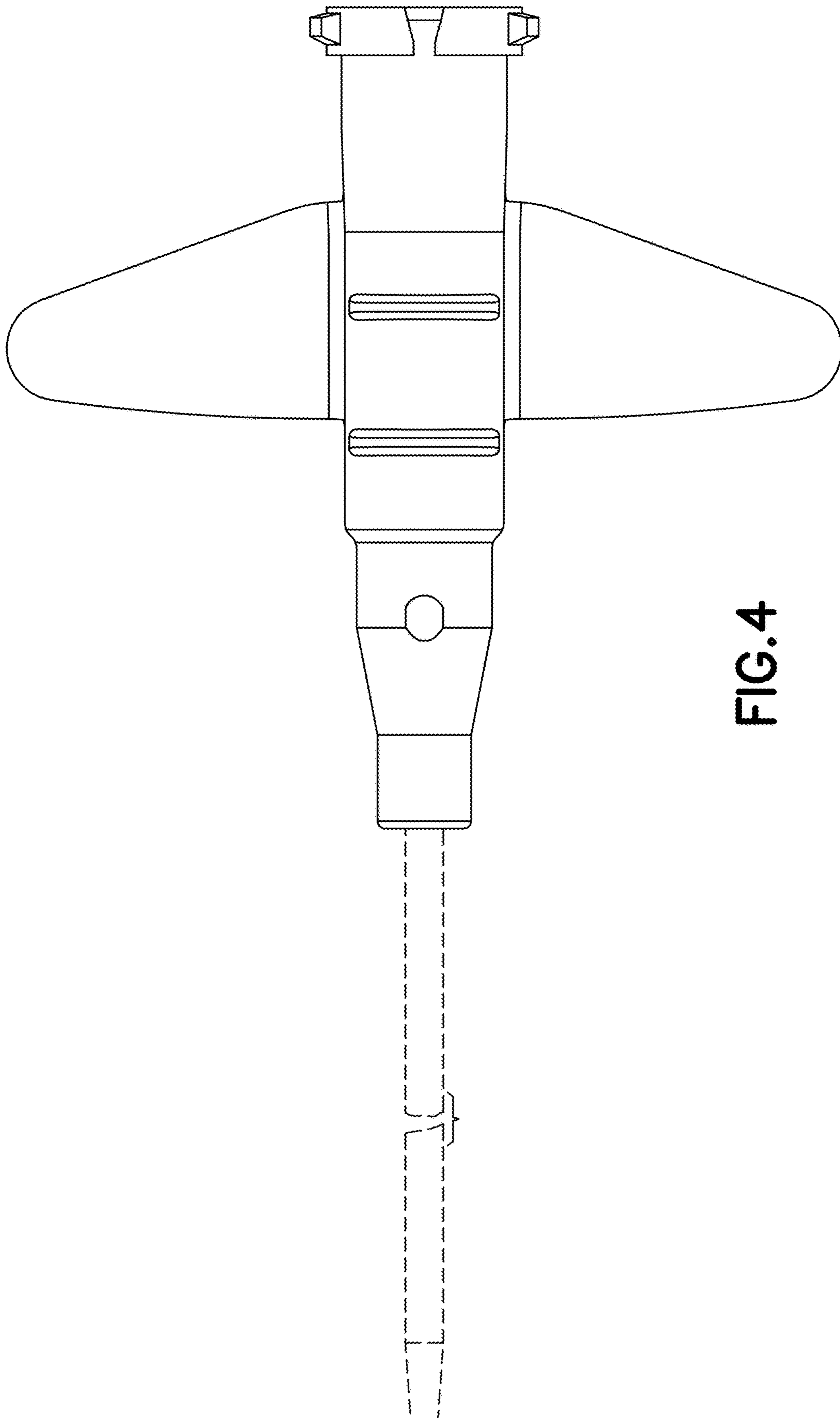


FIG.4

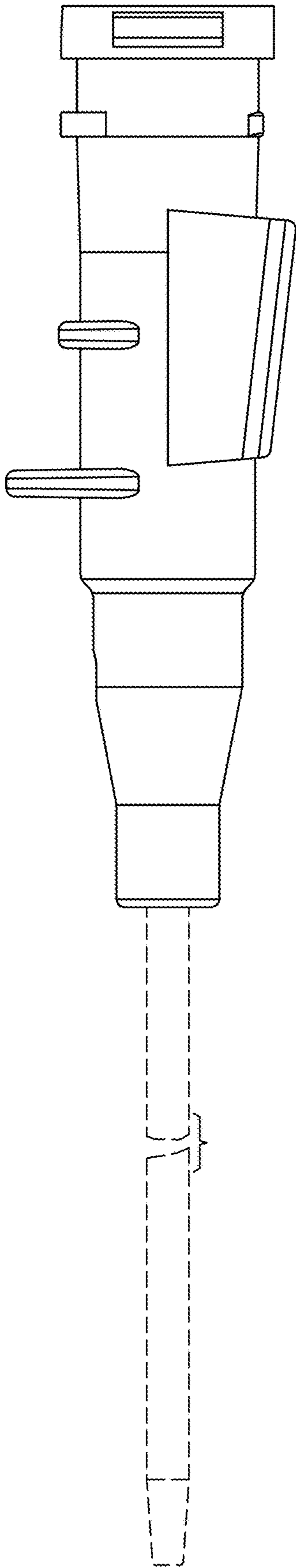


FIG. 5

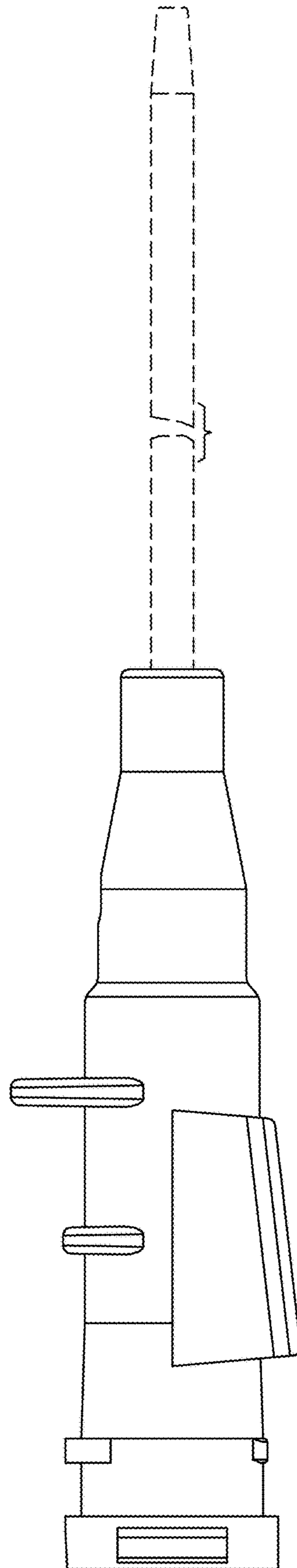


FIG. 6

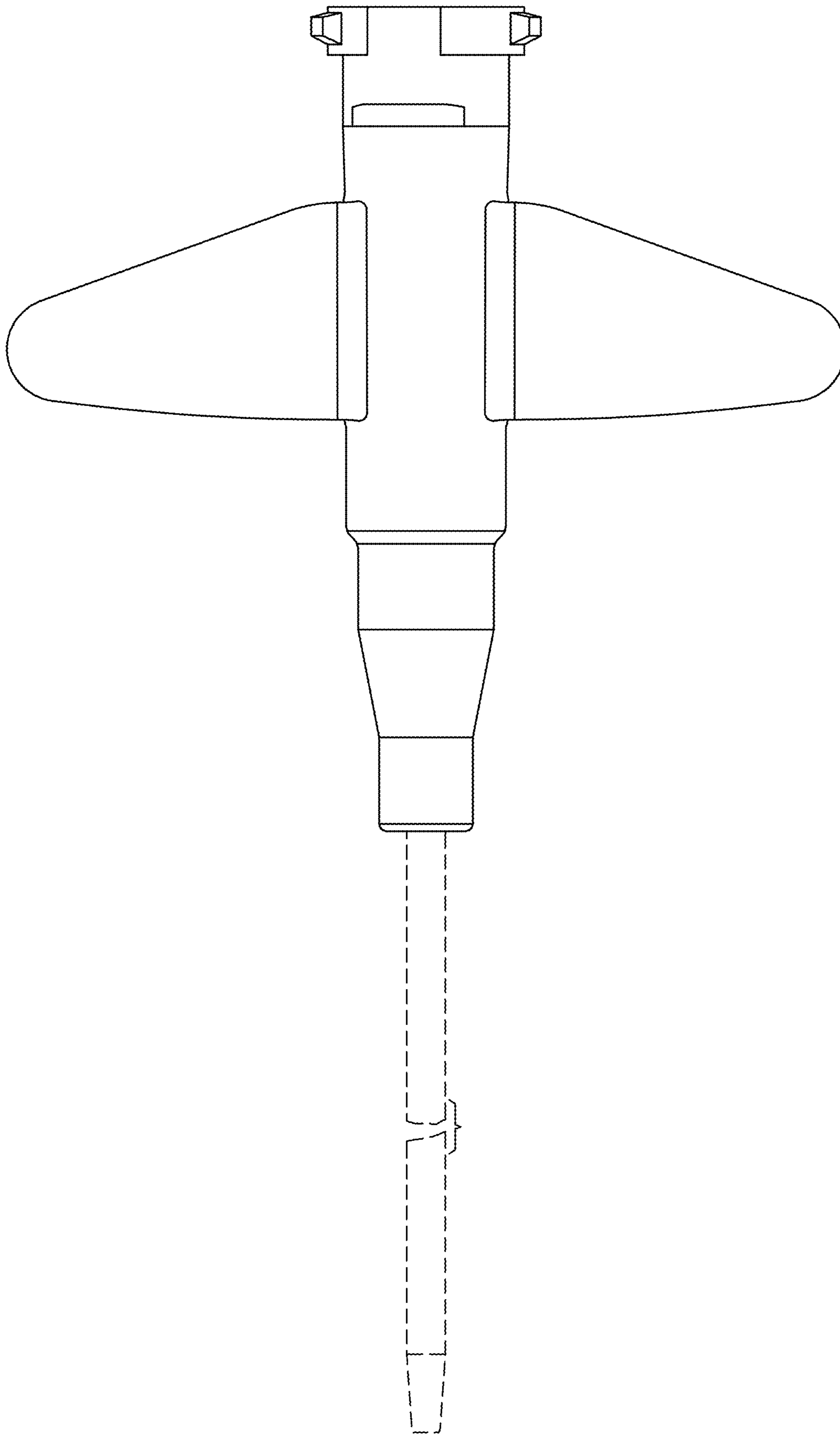
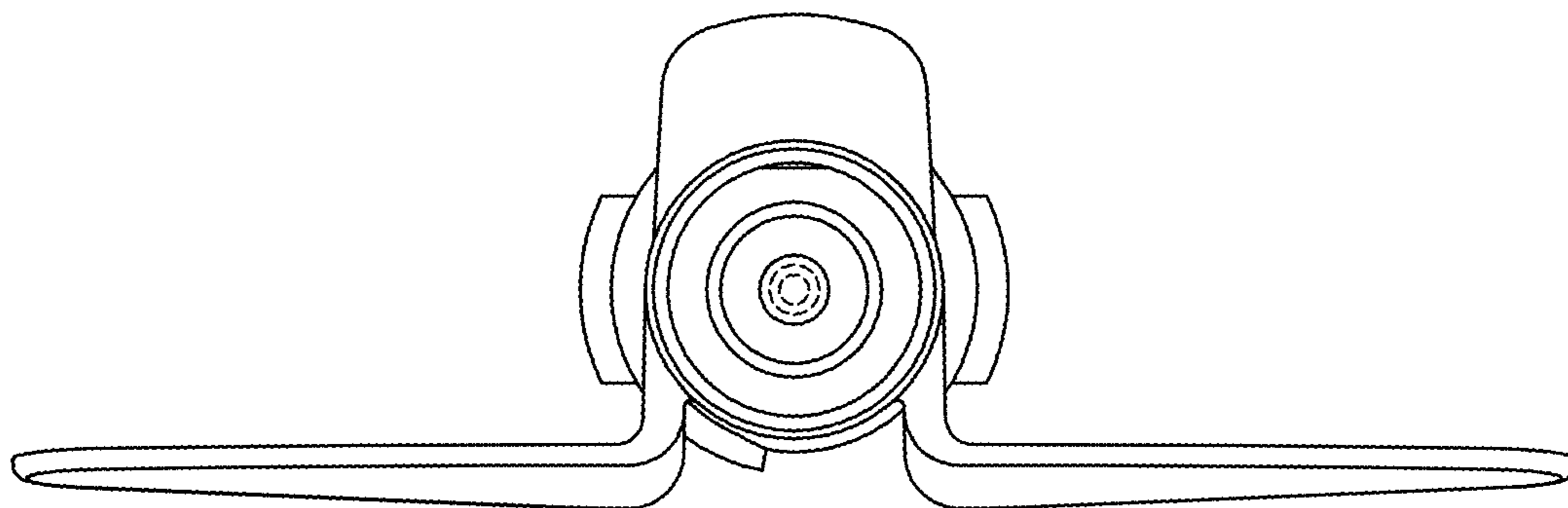
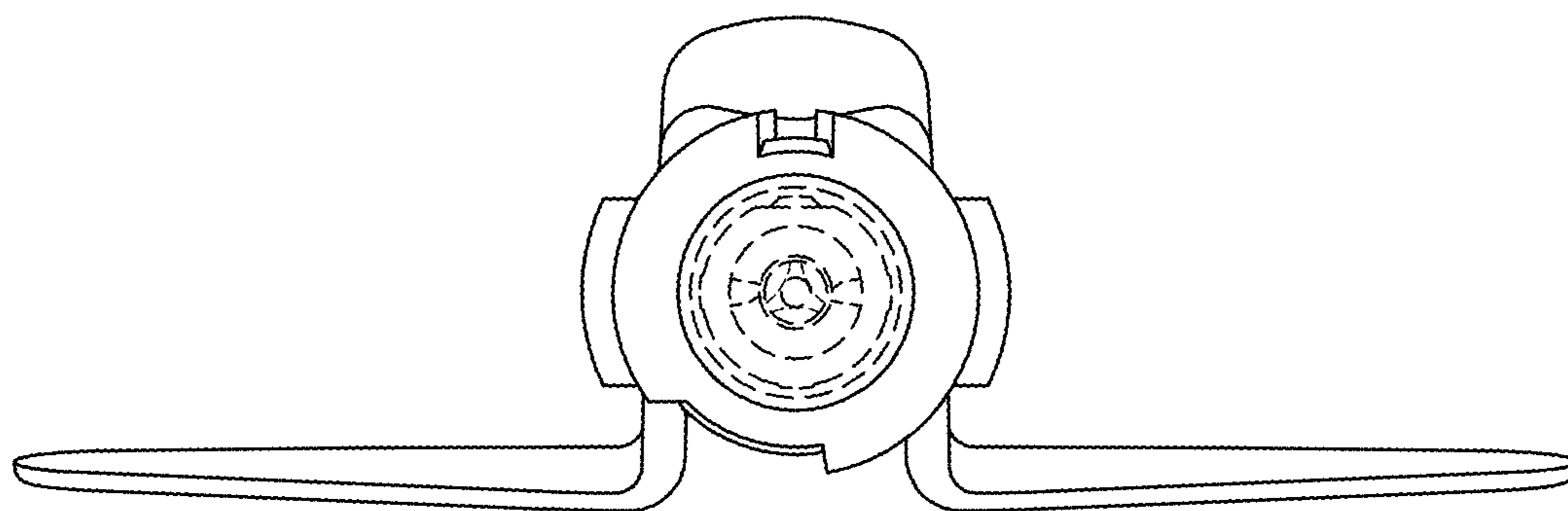


FIG. 7





**FIG. 8**



**FIG. 9**