



US00D870882S

(12) **United States Design Patent** (10) **Patent No.:** **US D870,882 S**
Kaneko et al. (45) **Date of Patent:** **** Dec. 24, 2019**

(54) **SOLENOID VALVE FOR OXYGEN CONCENTRATOR**

(71) Applicant: **SMC CORPORATION**, Tokyo (JP)

(72) Inventors: **Ryushiro Kaneko**, Saitama (JP);
Kosuke Morita, Tsukubamirai (JP)

(73) Assignee: **SMC CORPORATION**, Tokyo (JP)

(**) Term: **15 Years**

(21) Appl. No.: **29/596,276**

(22) Filed: **Mar. 7, 2017**

(30) **Foreign Application Priority Data**

Sep. 8, 2016 (CN) 2016 3 0465105

(51) **LOC (12) Cl.** **24-02**

(52) **U.S. Cl.**
USPC **D24/129**

(58) **Field of Classification Search**

USPC D24/127-131, 112-114, 133, 186;
606/181, 185; 604/264, 523-528, 272,
604/187, 158, 164.01-164.11, 181, 184,
604/227; 600/101, 139, 143;
128/200.24, 207.14, 207.15
CPC A61M 25/00; A61M 39/00; A61M 27/00;
A61M 25/0043; A61M 25/0067; A61M
25/0097; A61F 2/958
See application file for complete search history.

(56) **References Cited**

U.S. PATENT DOCUMENTS

D263,871 S * 4/1982 Matsuura D23/245
D271,421 S * 11/1983 Fetterman 137/556
D275,233 S * 8/1984 DeVroom D23/263

D316,603 S * 4/1991 Fangrow, Jr. D24/129
D319,312 S * 8/1991 Schneider D24/129
D369,664 S * 5/1996 Dye D23/260
D373,191 S * 8/1996 Ribando D24/129
D564,660 S * 3/2008 Hayashi D24/129
D589,142 S * 3/2009 Guerrero D24/108
D595,845 S * 7/2009 Mros D24/129
8,556,805 B2 * 10/2013 Hashimoto A61B 1/0052
600/141
D739,770 S * 9/2015 Scampoli D10/81
D742,507 S * 11/2015 Miller D24/129
2015/0209544 A1 7/2015 Morita
2015/0231550 A1 8/2015 Morita

* cited by examiner

Primary Examiner — David G Muller

(74) *Attorney, Agent, or Firm* — Birch, Stewart, Kolasch & Birch, LLP

(57) **CLAIM**

The ornamental design for a solenoid valve for oxygen concentrator, as shown and described.

DESCRIPTION

FIG. 1 is a front, top and left side perspective view of a solenoid valve for oxygen concentrator showing our new design;

FIG. 2 is a rear, bottom and right side perspective view thereof;

FIG. 3 is a front view thereof;

FIG. 4 is a rear view thereof;

FIG. 5 is a top plan view thereof;

FIG. 6 is a bottom plan view thereof;

FIG. 7 is a left side view thereof; and,

FIG. 8 is a right side view thereof.

The broken lines are included for the purpose of illustrating portions of the solenoid valve for oxygen concentrator that form no part of the claimed design.

1 Claim, 8 Drawing Sheets

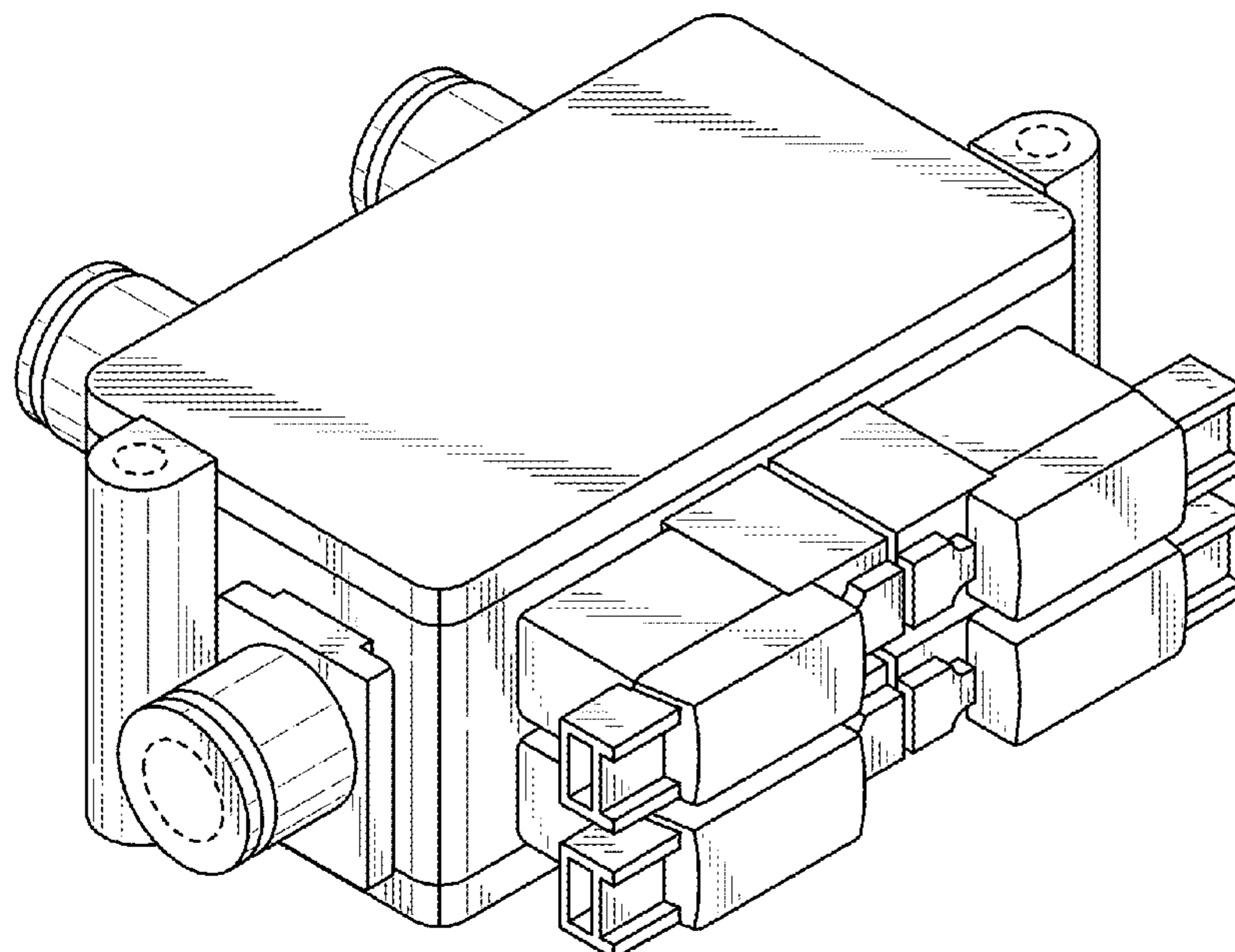


FIG. 1

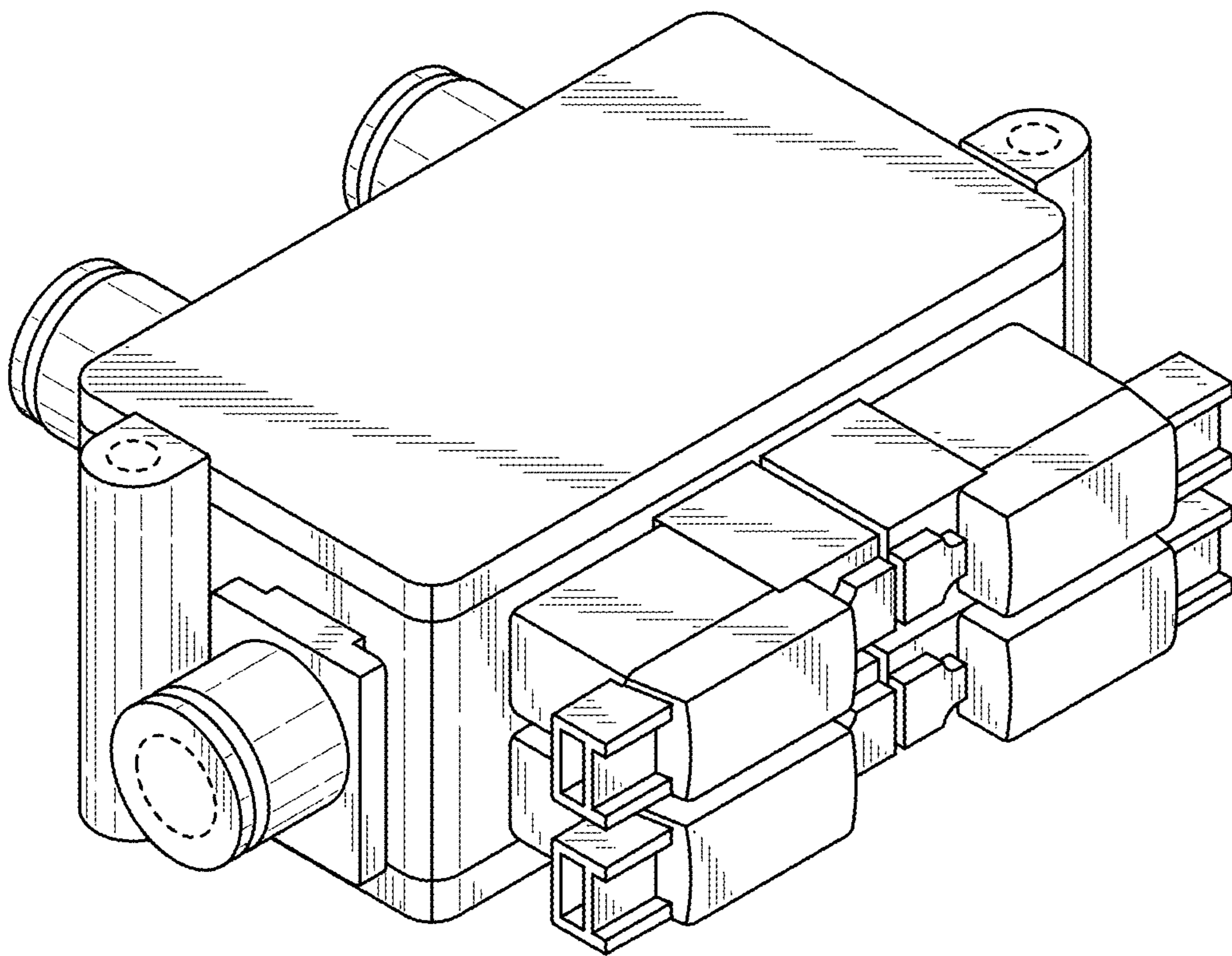


FIG. 2

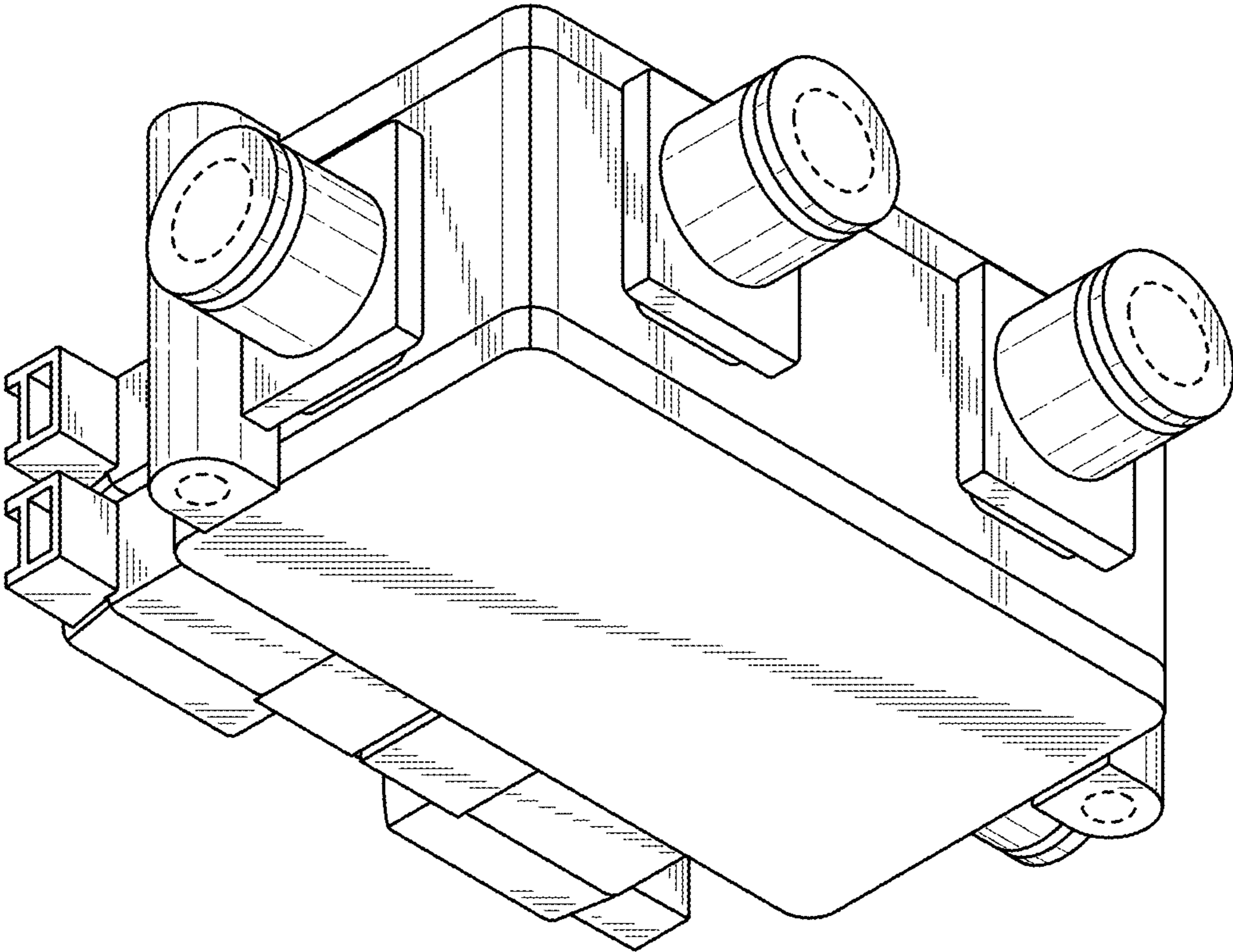


FIG. 3

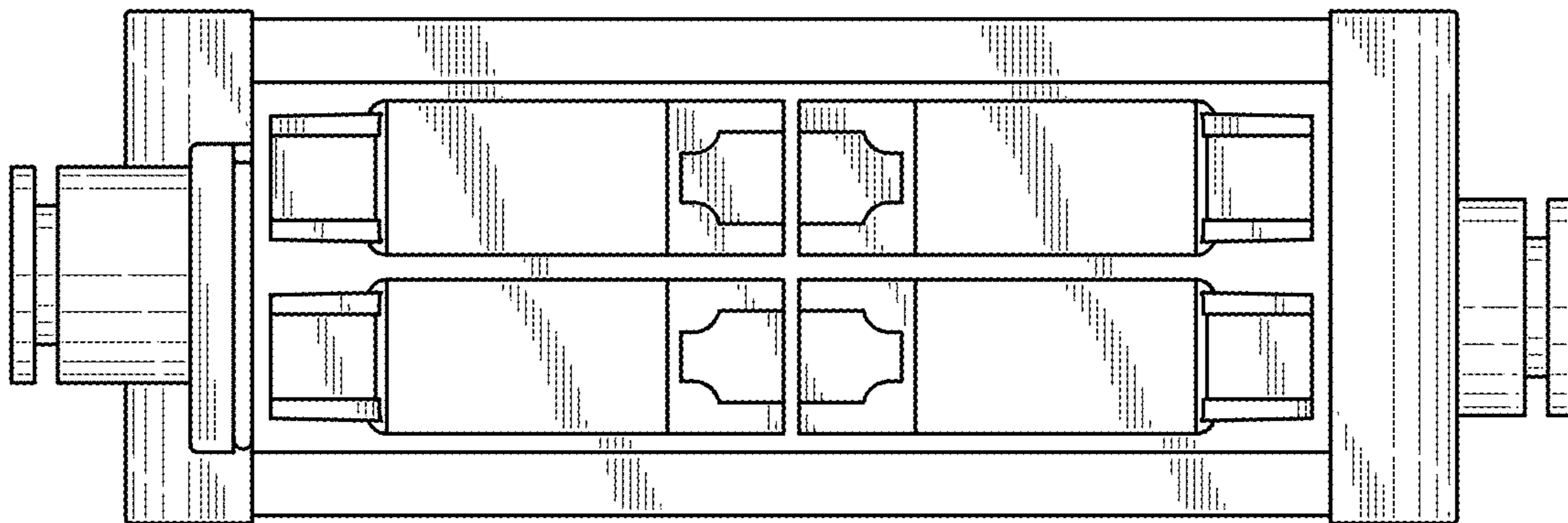


FIG. 4

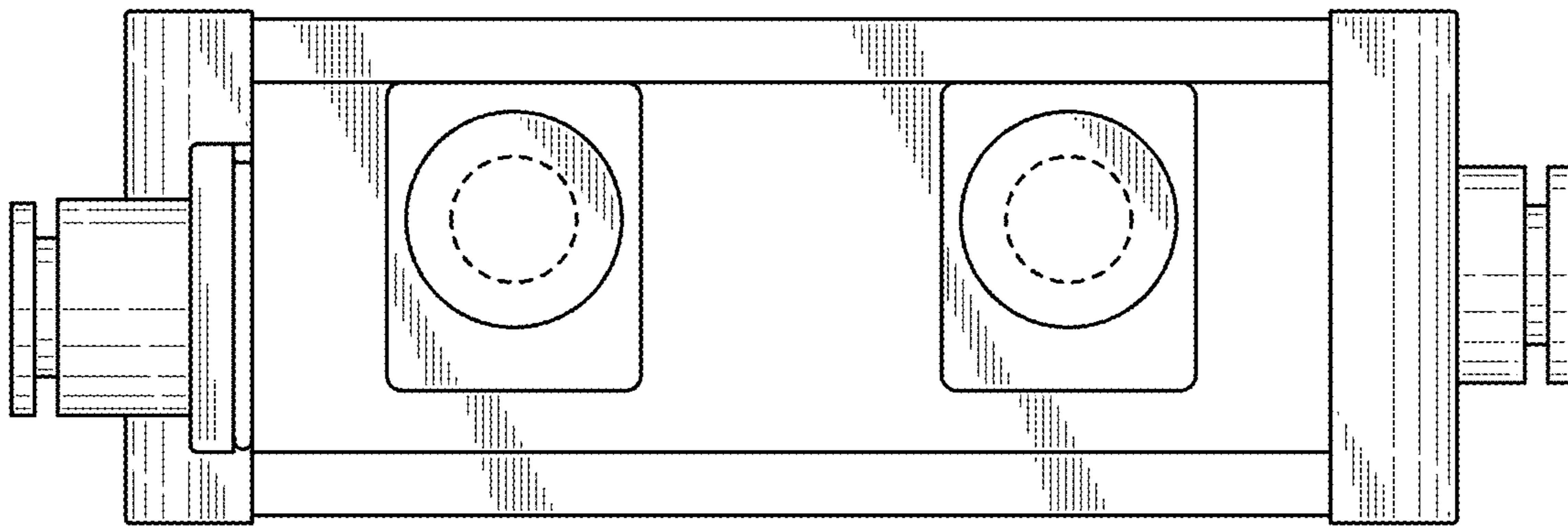


FIG. 5

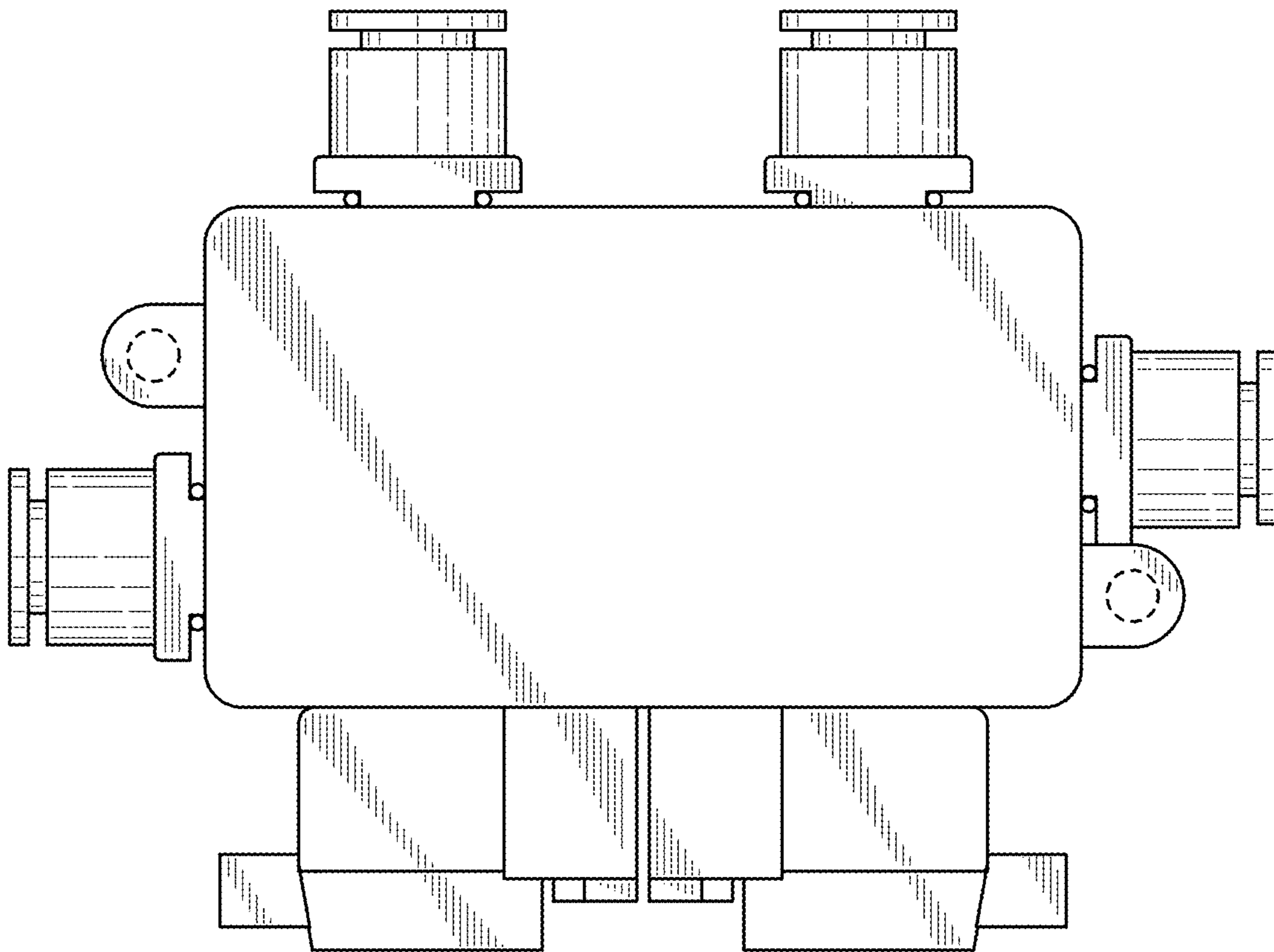


FIG. 6

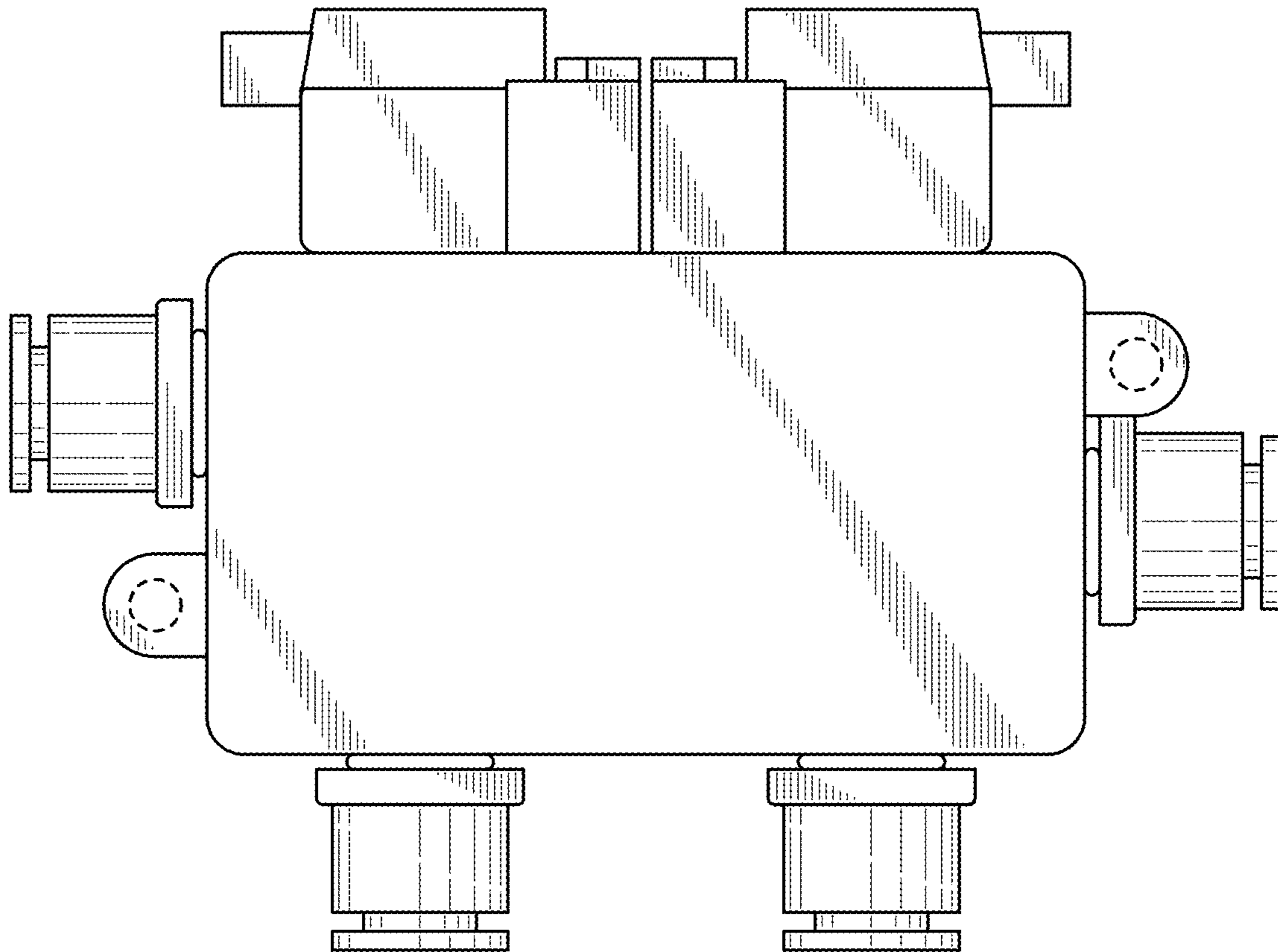


FIG. 7

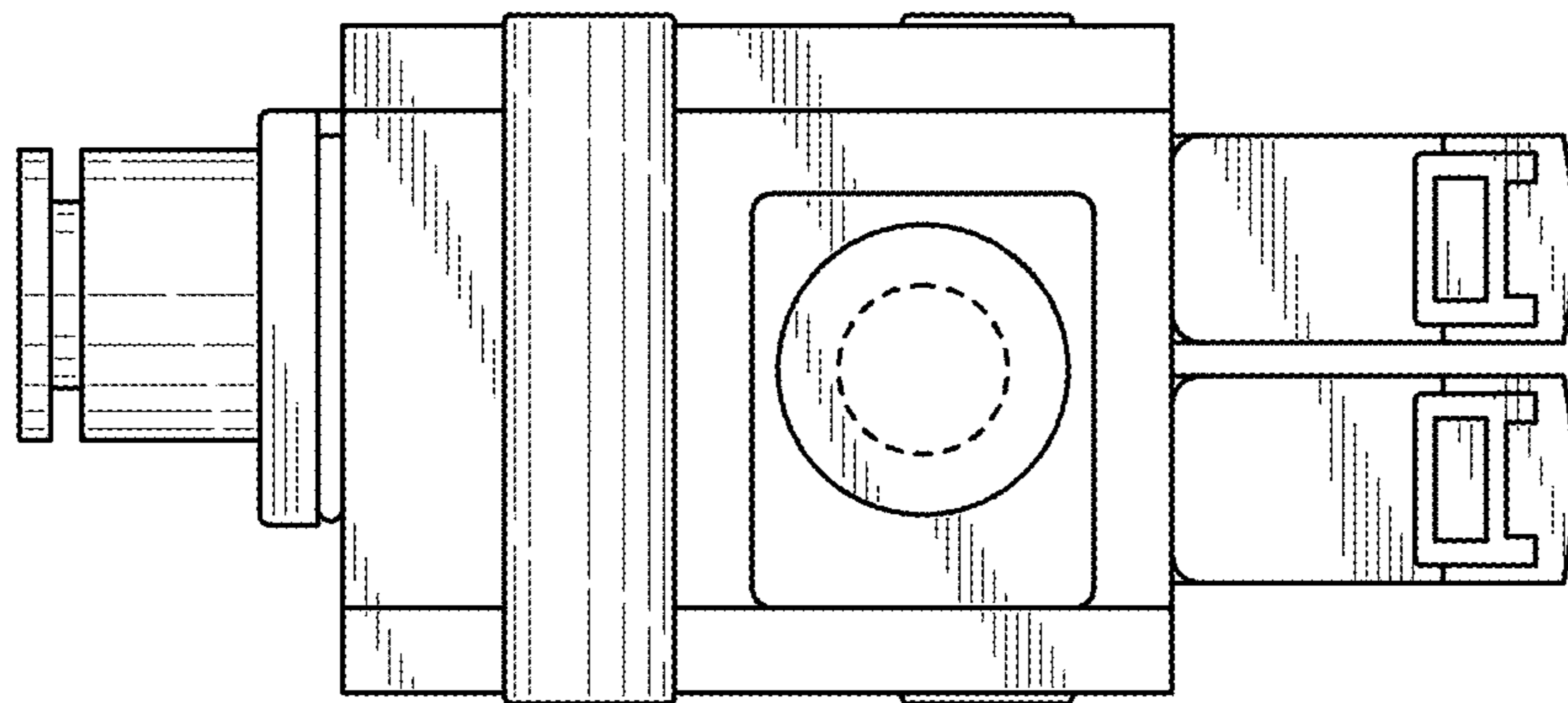


FIG. 8

