



US00D870881S

(12) **United States Design Patent**  
**Mullani**

(10) **Patent No.:** **US D870,881 S**

(45) **Date of Patent:** **\*\* Dec. 24, 2019**

(54) **TAIL VEIN ADAPTOR HOLDER**

(71) Applicant: **Nizar Mullani**, Sugar Land, TX (US)

(72) Inventor: **Nizar Mullani**, Sugar Land, TX (US)

(\*\*) Term: **15 Years**

(21) Appl. No.: **29/643,427**

(22) Filed: **Apr. 9, 2018**

(51) **LOC (12) Cl.** ..... **24-02**

(52) **U.S. Cl.**  
USPC ..... **D24/128**

(58) **Field of Classification Search**  
USPC ..... D24/127-131, 112-114, 133, 186;  
606/181, 185; 604/264, 523-528, 272,  
604/187, 158, 164.01-164.11, 181, 184,  
604/227; 600/101, 139, 143;  
128/200.24, 207.14, 207.15  
CPC .. A61M 25/065; A61M 5/42; A61M 25/0612;  
A61M 25/00; A61M 39/00; A61M 27/00;  
A61M 25/0043; A61M 25/0067; A61F  
2/958

See application file for complete search history.

(56) **References Cited**

**U.S. PATENT DOCUMENTS**

5,105,807 A \* 4/1992 Kahn ..... A61M 25/02  
128/200.26  
7,413,561 B2 \* 8/2008 Raulerson ..... A61M 25/02  
604/174

D592,303 S \* 5/2009 Chesnin ..... D24/128  
D612,045 S \* 3/2010 Sarvazyan ..... D24/133  
D631,542 S \* 1/2011 DeGross ..... D24/129  
D725,263 S \* 3/2015 Honma ..... D24/133  
D790,056 S \* 6/2017 Colston ..... D24/130  
D792,968 S \* 7/2017 Galitz ..... D24/128  
D793,550 S \* 8/2017 Defusco ..... D24/128  
D793,553 S \* 8/2017 Stillson ..... D24/130  
D812,222 S \* 3/2018 Hyun ..... D24/129  
D845,472 S \* 4/2019 Evans ..... D24/128  
D848,602 S \* 5/2019 Yokoyama ..... D24/108

\* cited by examiner

*Primary Examiner* — David G Muller

(74) *Attorney, Agent, or Firm* — Welsh Flaxman & Gitler  
LLC

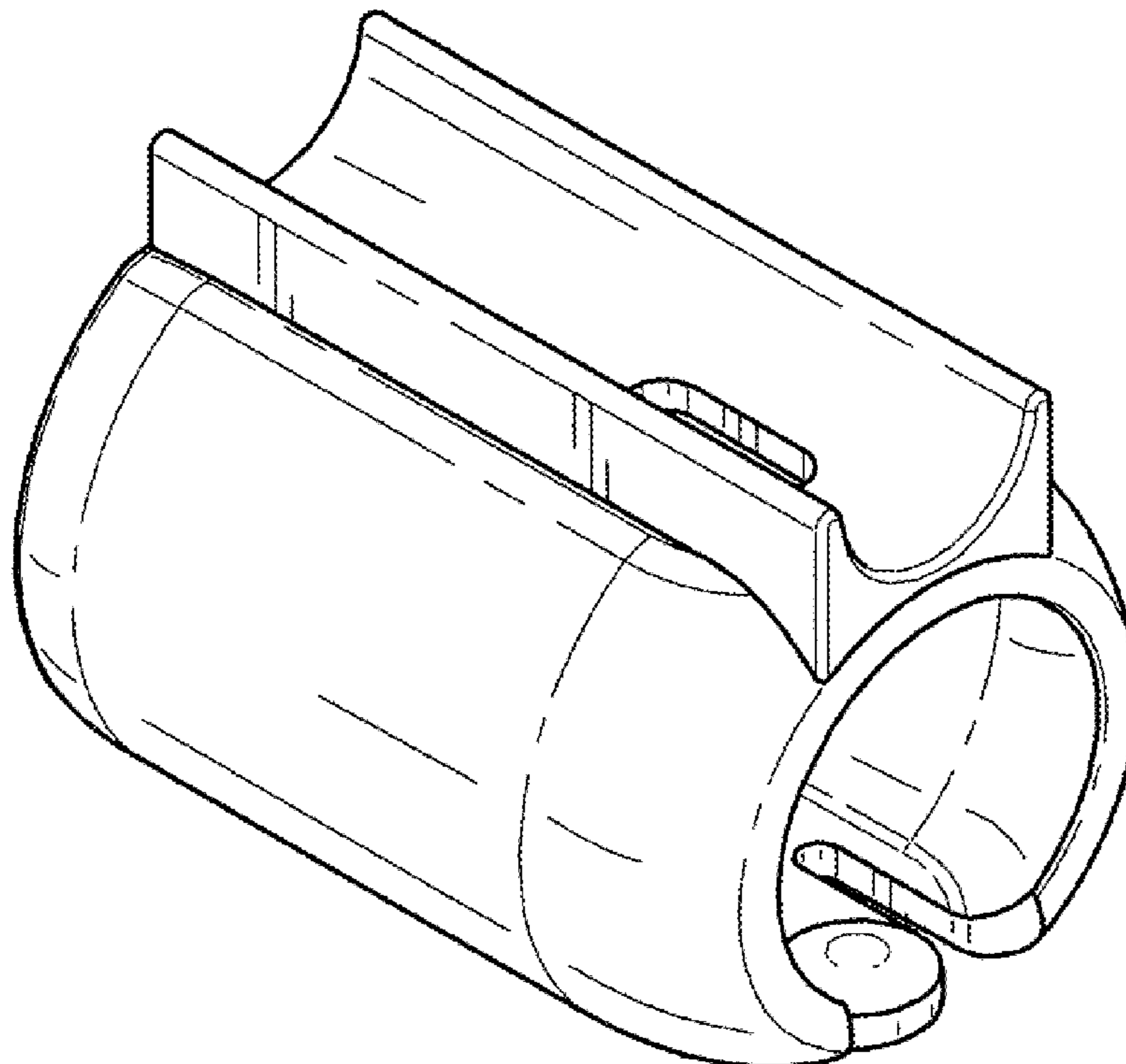
(57) **CLAIM**

The ornamental design for a tail vein adaptor holder, as shown and described.

**DESCRIPTION**

FIG. 1 is a front perspective view of the tail vein adaptor holder;  
FIG. 2 is a rear perspective view of the tail vein adaptor holder;  
FIG. 3 is a top view of the tail vein adaptor holder;  
FIG. 4 is a bottom view of the tail vein adaptor holder;  
FIG. 5 is a rear view of the tail vein adaptor holder;  
FIG. 6 is a front view of the tail vein adaptor holder;  
FIG. 7 is a right side view of the tail vein adaptor holder;  
and,  
FIG. 8 is a left side view of the tail vein adaptor holder.

**1 Claim, 4 Drawing Sheets**



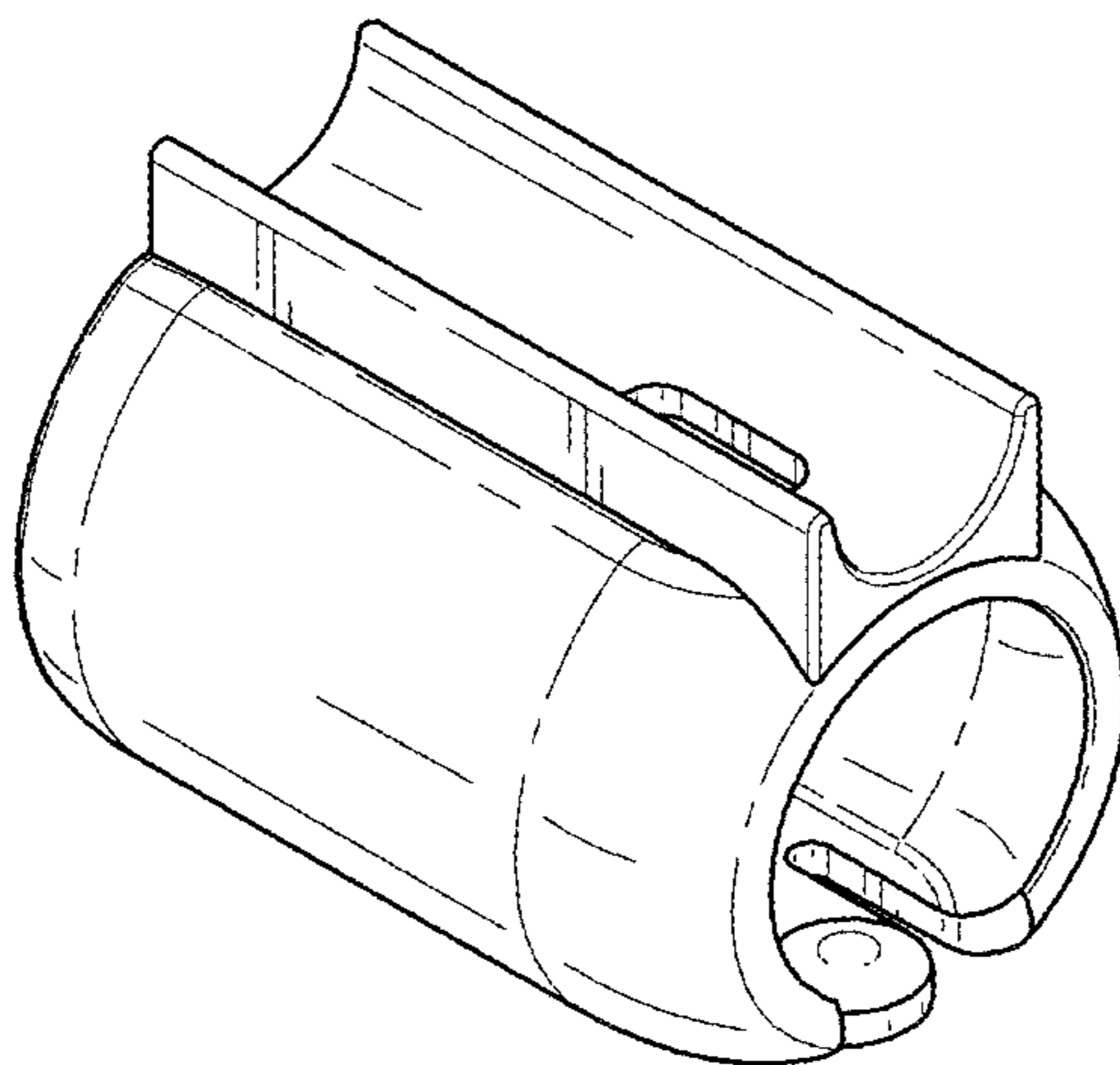


FIG. 1

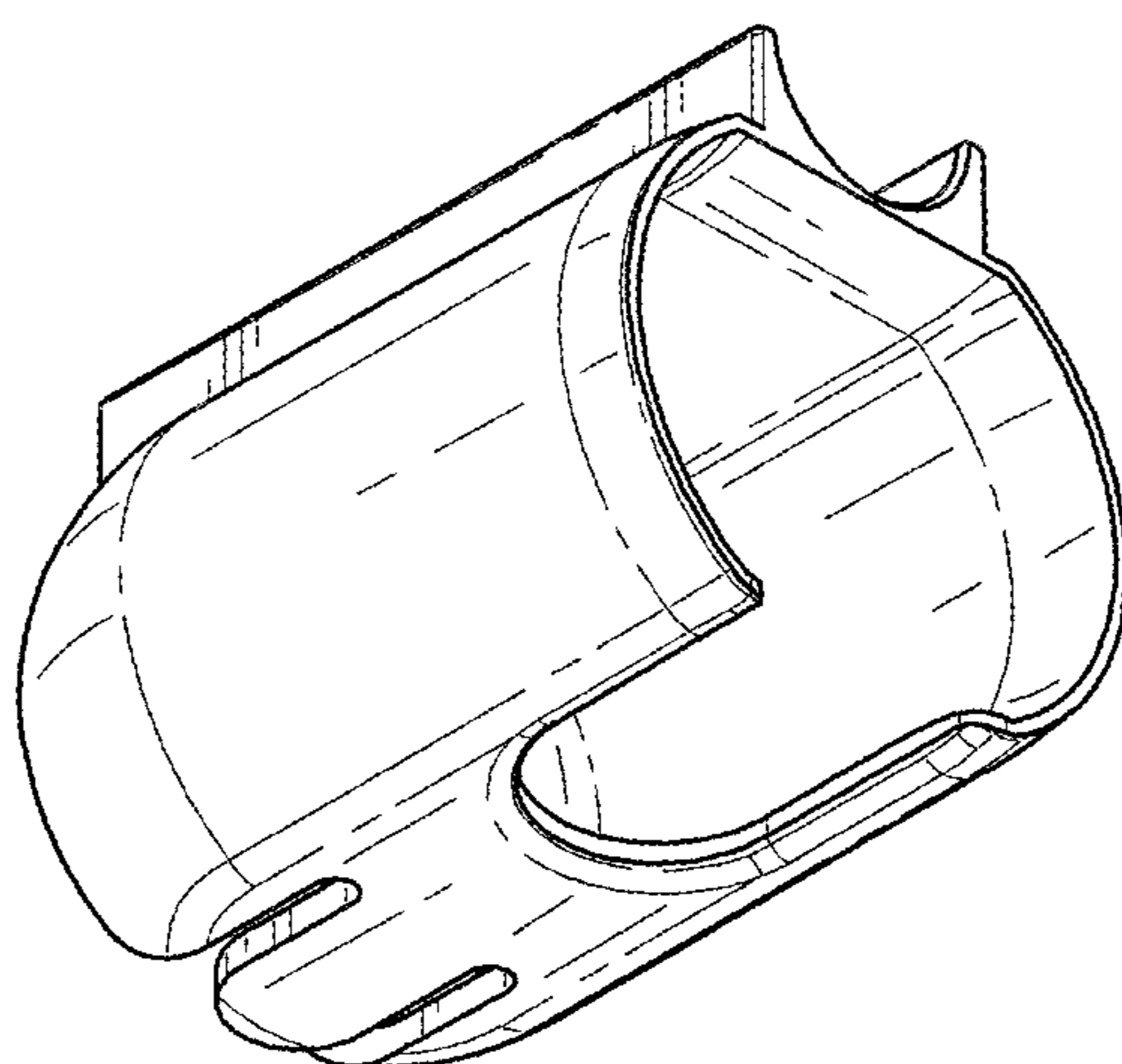


FIG. 2

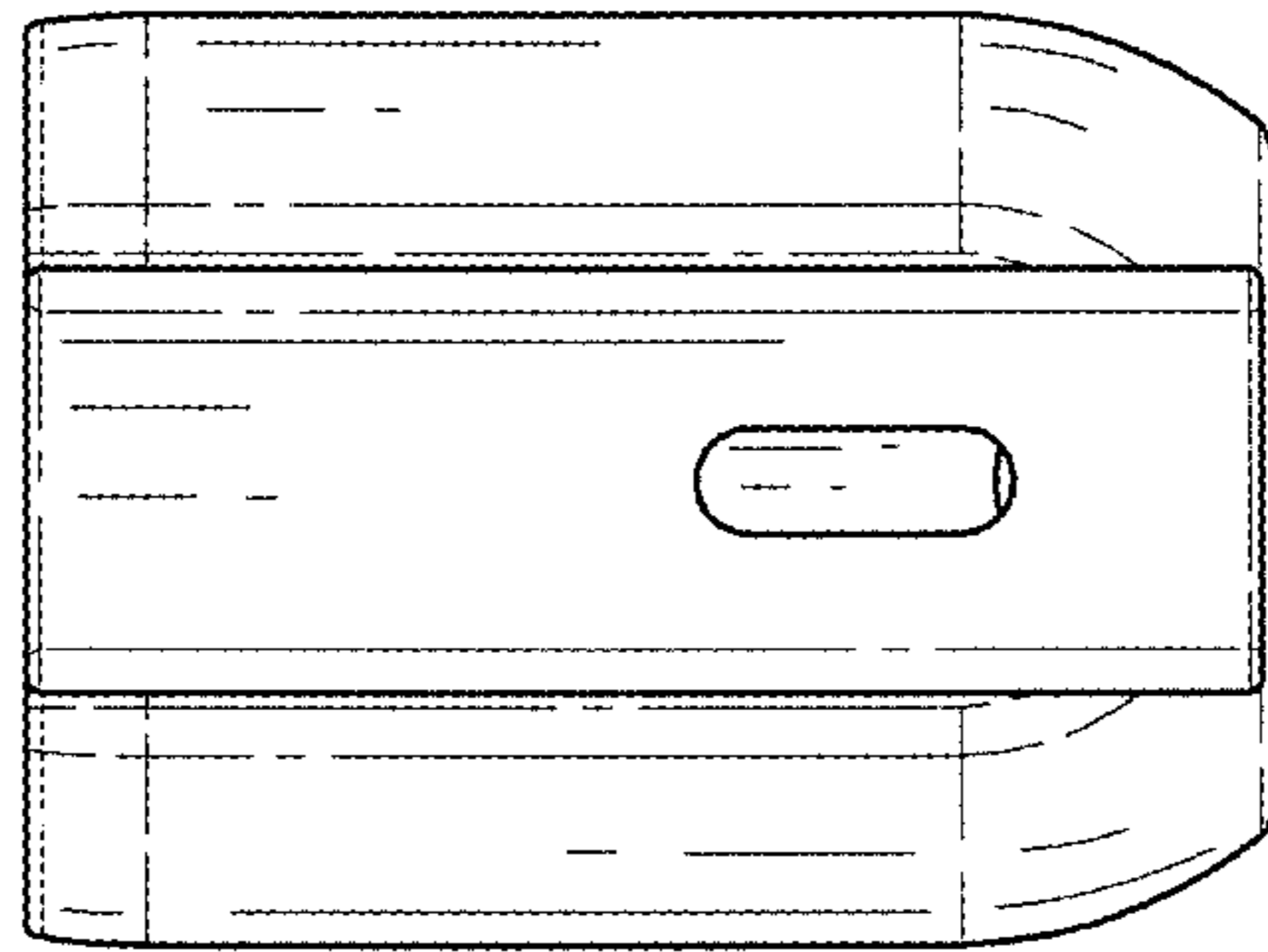


FIG. 3

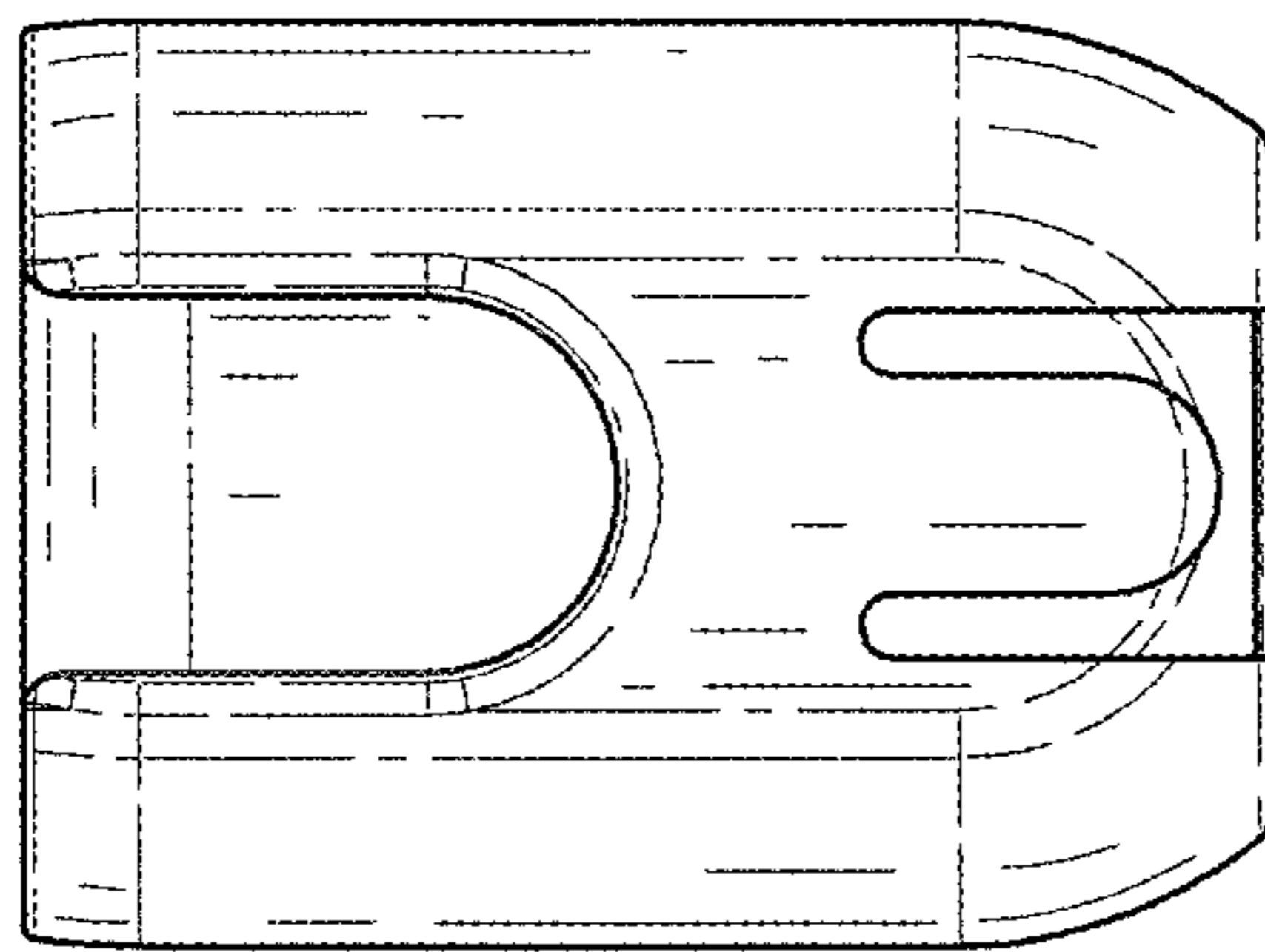


FIG. 4

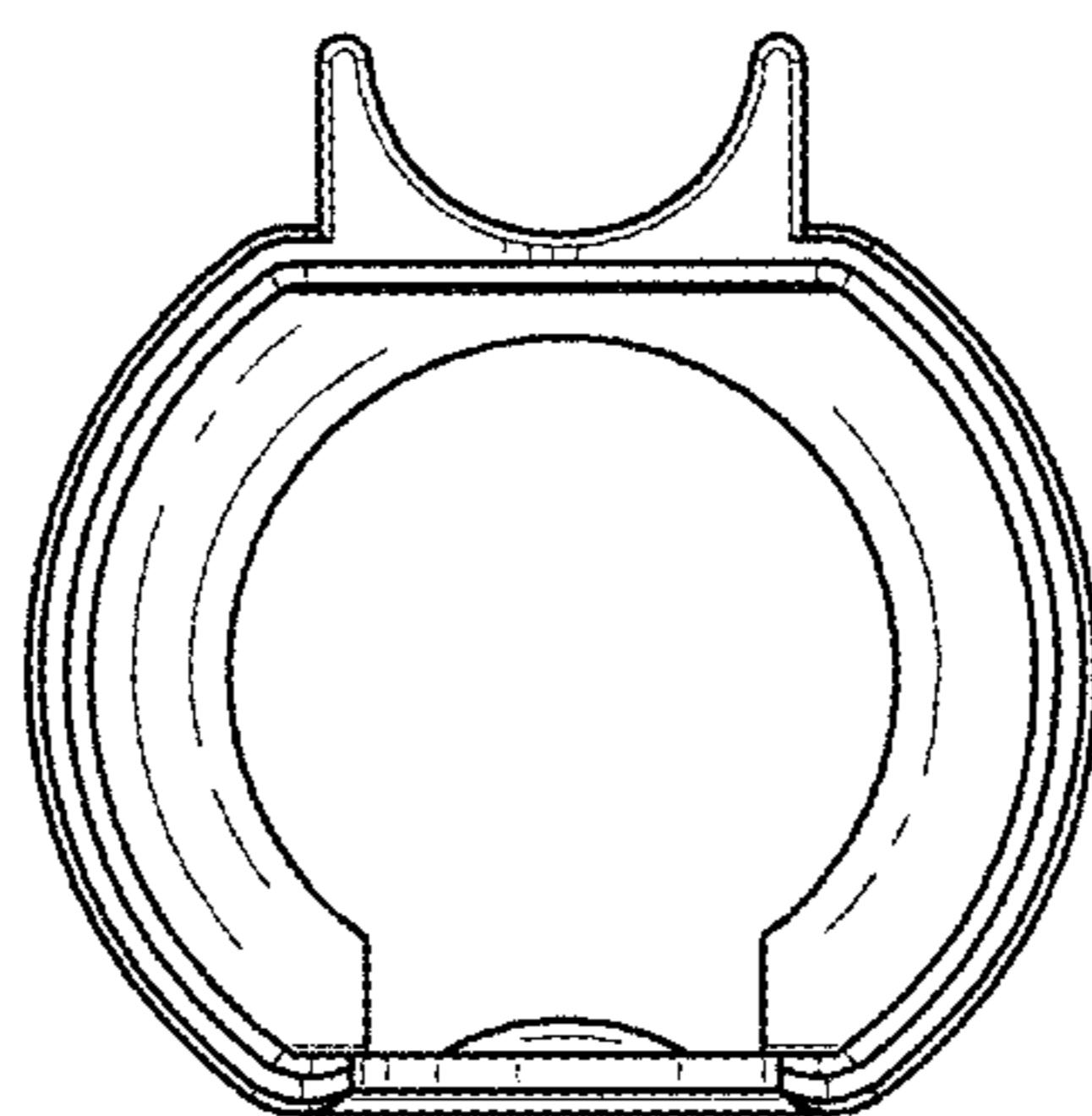


FIG. 5

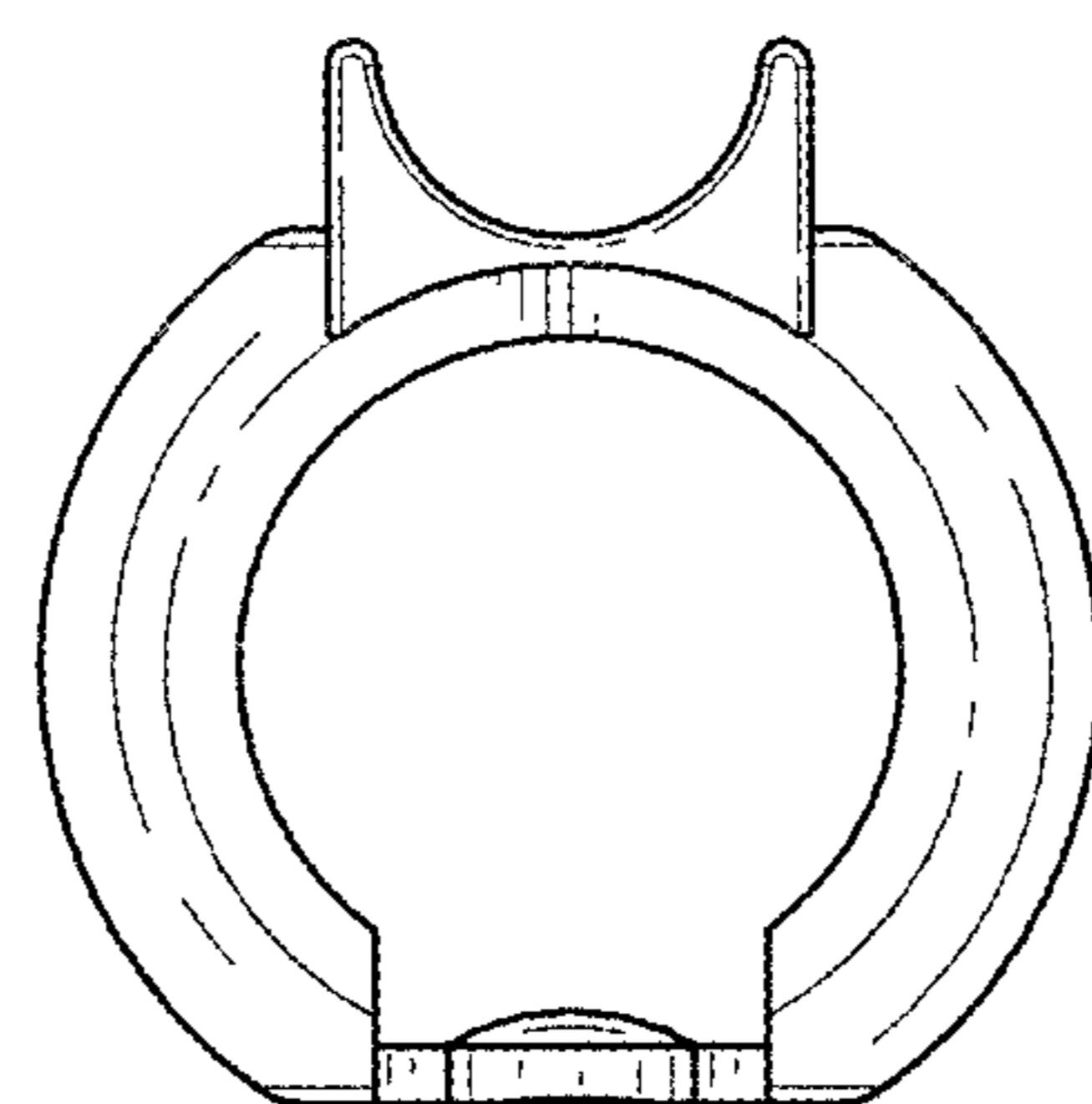


FIG. 6

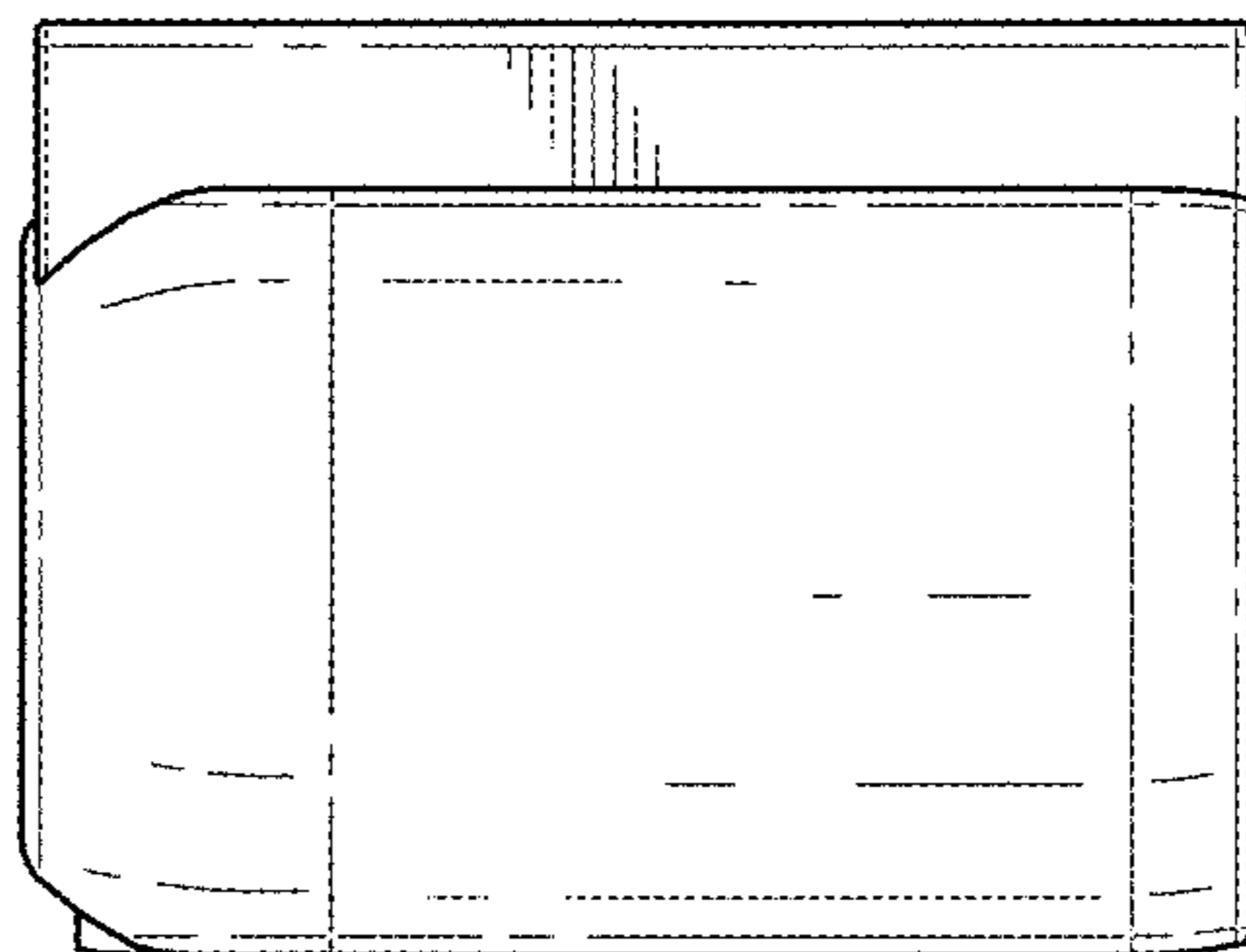


FIG. 7

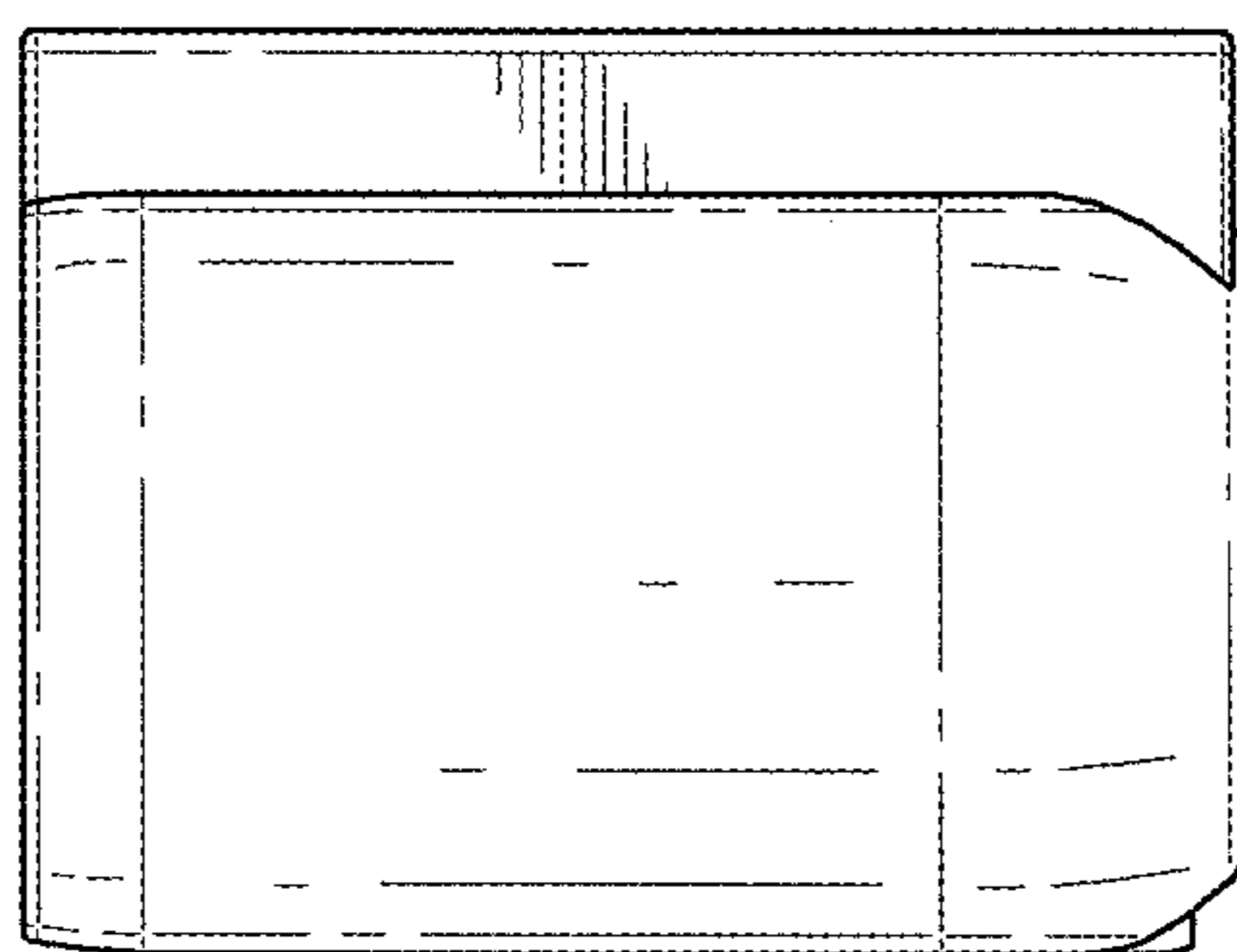


FIG. 8