



US00D870876S

(12) **United States Design Patent** (10) **Patent No.:** **US D870,876 S**  
**Searle** (45) **Date of Patent:** **\*\* Dec. 24, 2019**

(54) **CEILING FAN MOTOR HOUSING**

(71) Applicant: **YOUNGO LIMITED**, Hong Kong (CN)

(72) Inventor: **Scott Searle**, Maui, HI (US)

(73) Assignee: **YOUNGO LIMITED**, Hong Kong (CN)

(\*\*) Term: **15 Years**

(21) Appl. No.: **29/633,476**

(22) Filed: **Jan. 14, 2018**

(51) **LOC (12) Cl.** ..... **23-04**

(52) **U.S. Cl.**  
USPC ..... **D23/411**

(58) **Field of Classification Search**  
USPC ... D26/59, 24, 118, 119, 121-124, 128-137;  
D23/370, 377-382, 411-414  
CPC ..... F04D 25/088; F04D 29/38; F21V 21/03;  
B63H 1/16  
See application file for complete search history.

(56) **References Cited**

**U.S. PATENT DOCUMENTS**

D488,554 S *	4/2004	Bacon	.....	D23/411
D505,196 S *	5/2005	Bacon	.....	D23/411
D516,201 S *	2/2006	Badarello	.....	D23/411
D553,731 S *	10/2007	Bucher	.....	D23/411
D556,939 S *	12/2007	Gajewski	.....	D26/128
D566,321 S *	4/2008	Pickett	.....	D26/128
D576,265 S *	9/2008	Bucher	.....	D23/377
D590,489 S *	4/2009	Bucher	.....	D23/377
D627,052 S *	11/2010	Pan	.....	D23/411
D627,870 S *	11/2010	Wang	.....	D23/411
D663,455 S *	7/2012	Glasbrenner	.....	D26/59
D707,343 S *	6/2014	Wang	.....	D23/411

D743,523 S *	11/2015	Ertze	.....	D23/411
D743,527 S *	11/2015	Wang	.....	D23/411
D750,219 S *	2/2016	Gajewski	.....	D23/411
D773,638 S *	12/2016	Wang	.....	D23/411
D774,175 S *	12/2016	Wang	.....	D23/385
D803,384 S *	11/2017	Wang	.....	D23/411
D809,691 S *	2/2018	Wang	.....	D26/59
D821,562 S *	6/2018	Haggar	.....	D23/411
D825,052 S *	8/2018	Guthrie	.....	D23/411
D827,123 S *	8/2018	Guthrie	.....	D23/411
D828,535 S *	9/2018	Searle	.....	D23/377
D834,173 S *	11/2018	Holmes	.....	D23/411
D844,769 S *	4/2019	McRoberts	.....	D23/411
D844,772 S *	4/2019	Badarello	.....	D23/411
D850,604 S *	6/2019	Gajewski	.....	D23/377
D850,605 S *	6/2019	Ertze	.....	D23/377

\* cited by examiner

*Primary Examiner* — Janice Hallmark

(74) *Attorney, Agent, or Firm* — Pai Patent & Trademark Law Firm; Chao-Chang David Pai

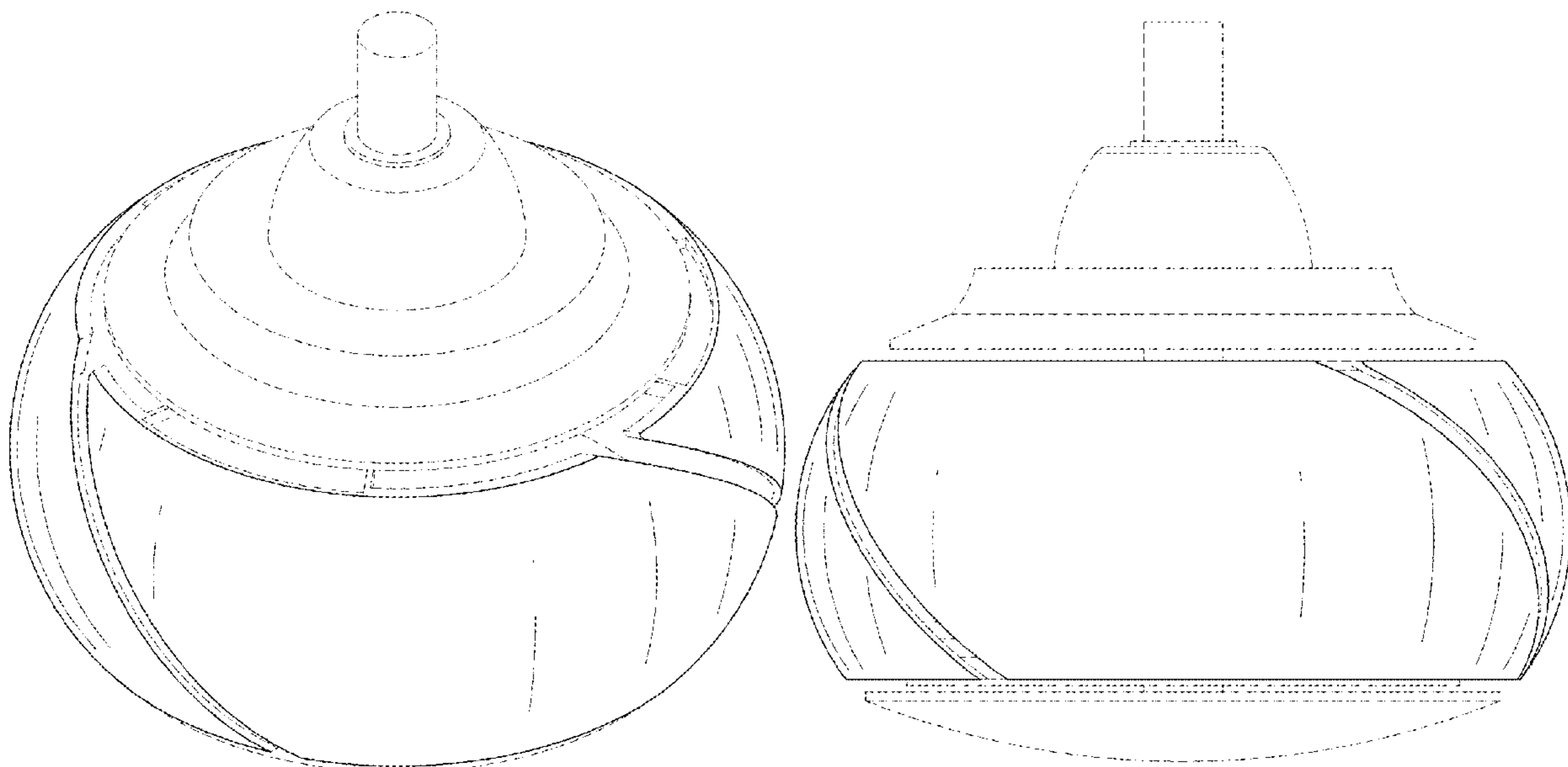
(57) **CLAIM**

The ornamental design for a ceiling fan motor housing, as shown and described.

**DESCRIPTION**

FIG. 1 is a front top perspective view of a ceiling fan motor housing showing my new design;  
FIG. 2 is a front elevational view thereof;  
FIG. 3 is a rear elevational view thereof;  
FIG. 4 is a left side elevational view thereof;  
FIG. 5 is a right side elevational view thereof;  
FIG. 6 is a top plan view thereof;  
FIG. 7 is a bottom plan view thereof; and,  
FIG. 8 is a front bottom perspective view thereof.  
The broken lines are for the purpose of illustrating environmental structure and form no part of the claimed design.

**1 Claim, 8 Drawing Sheets**



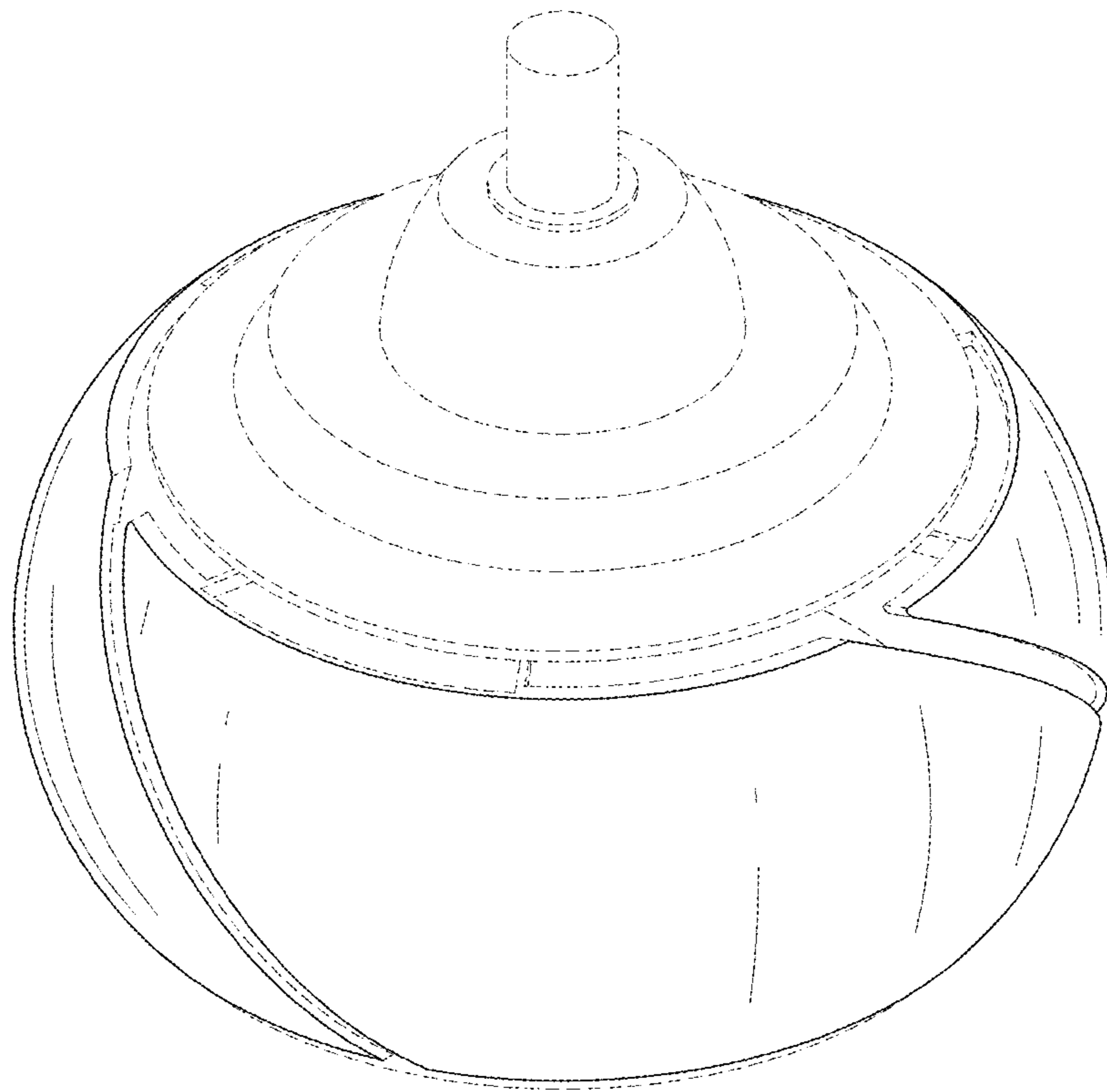


FIG. 1

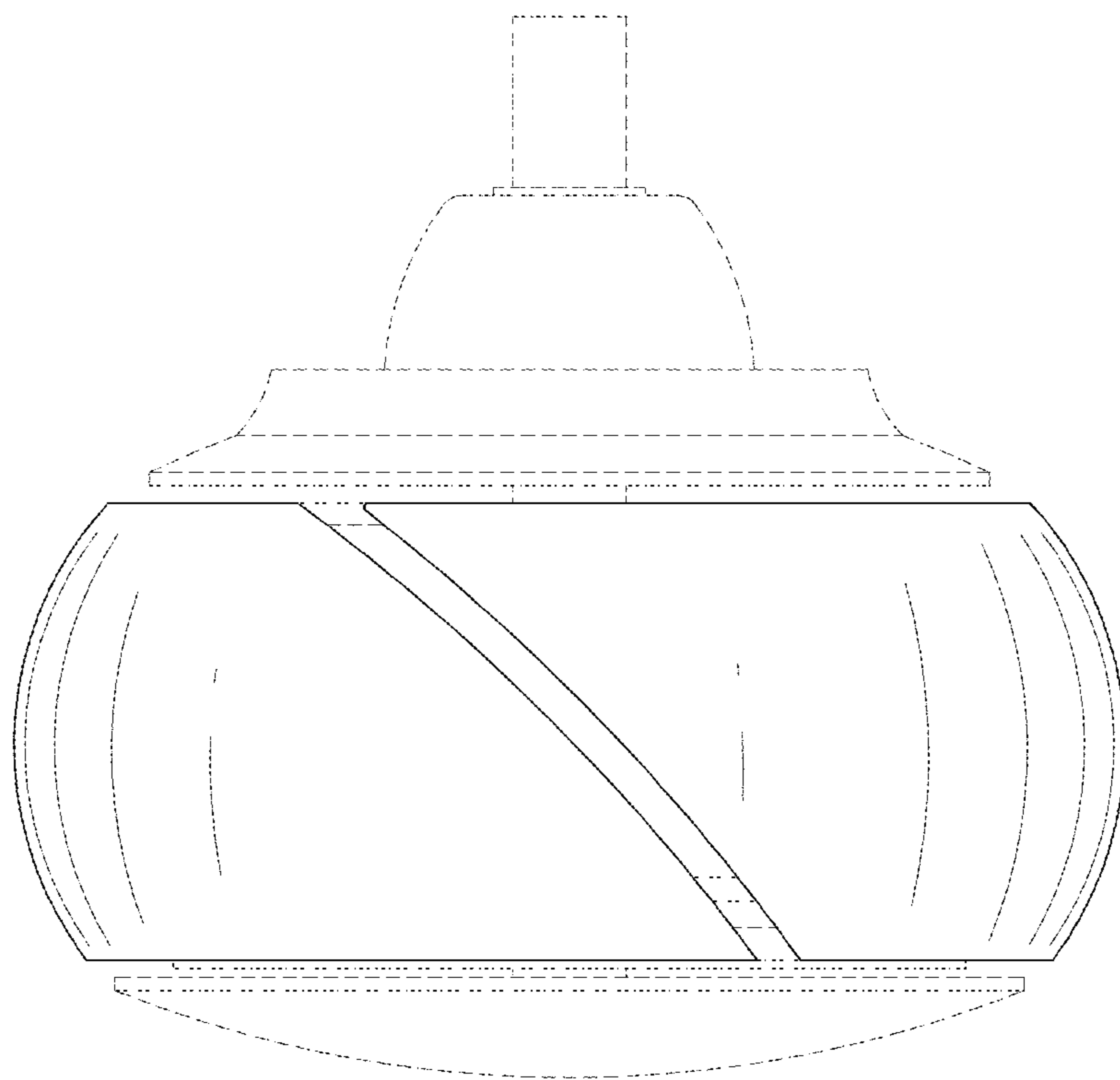


FIG. 2

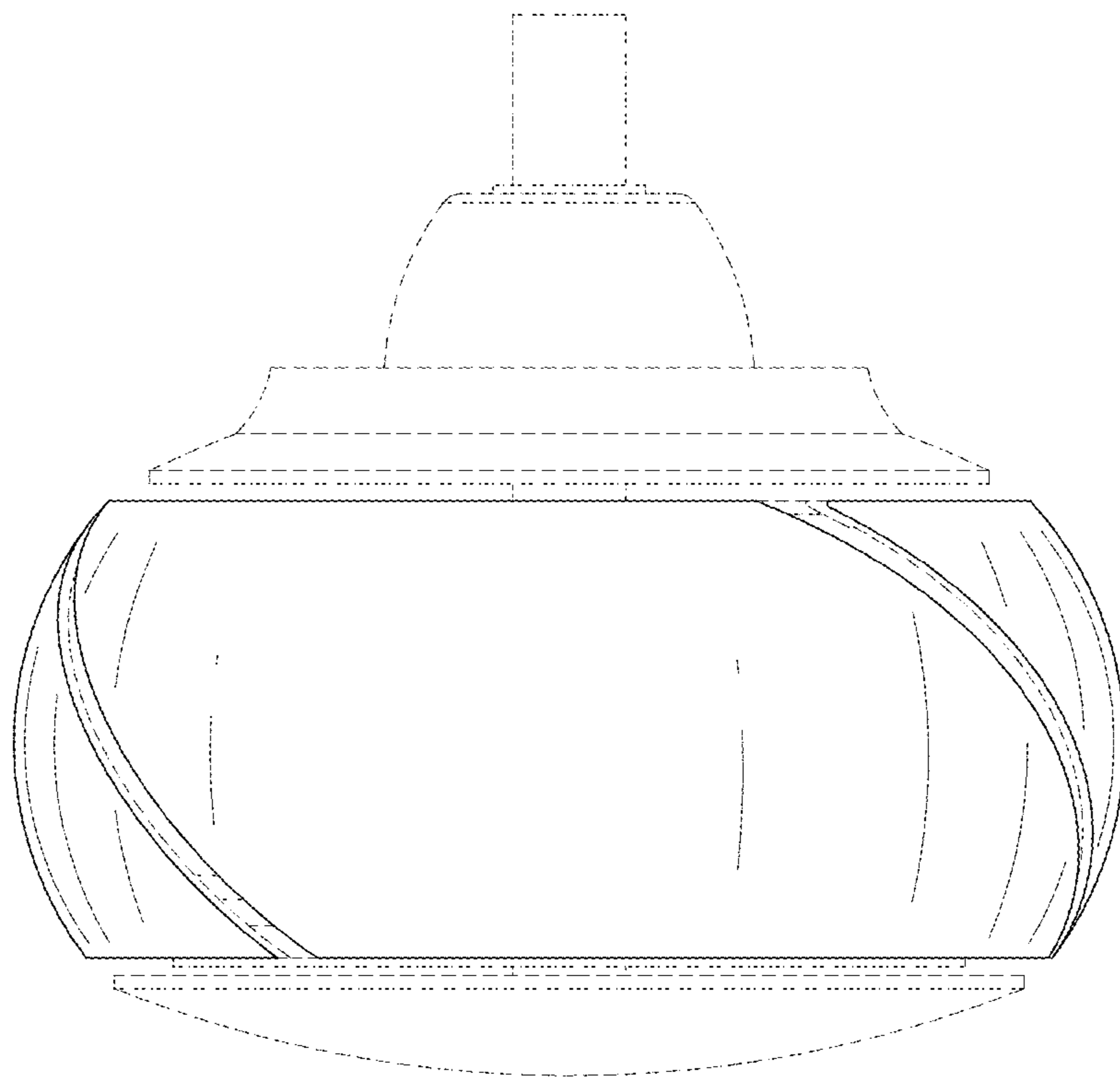


FIG. 3

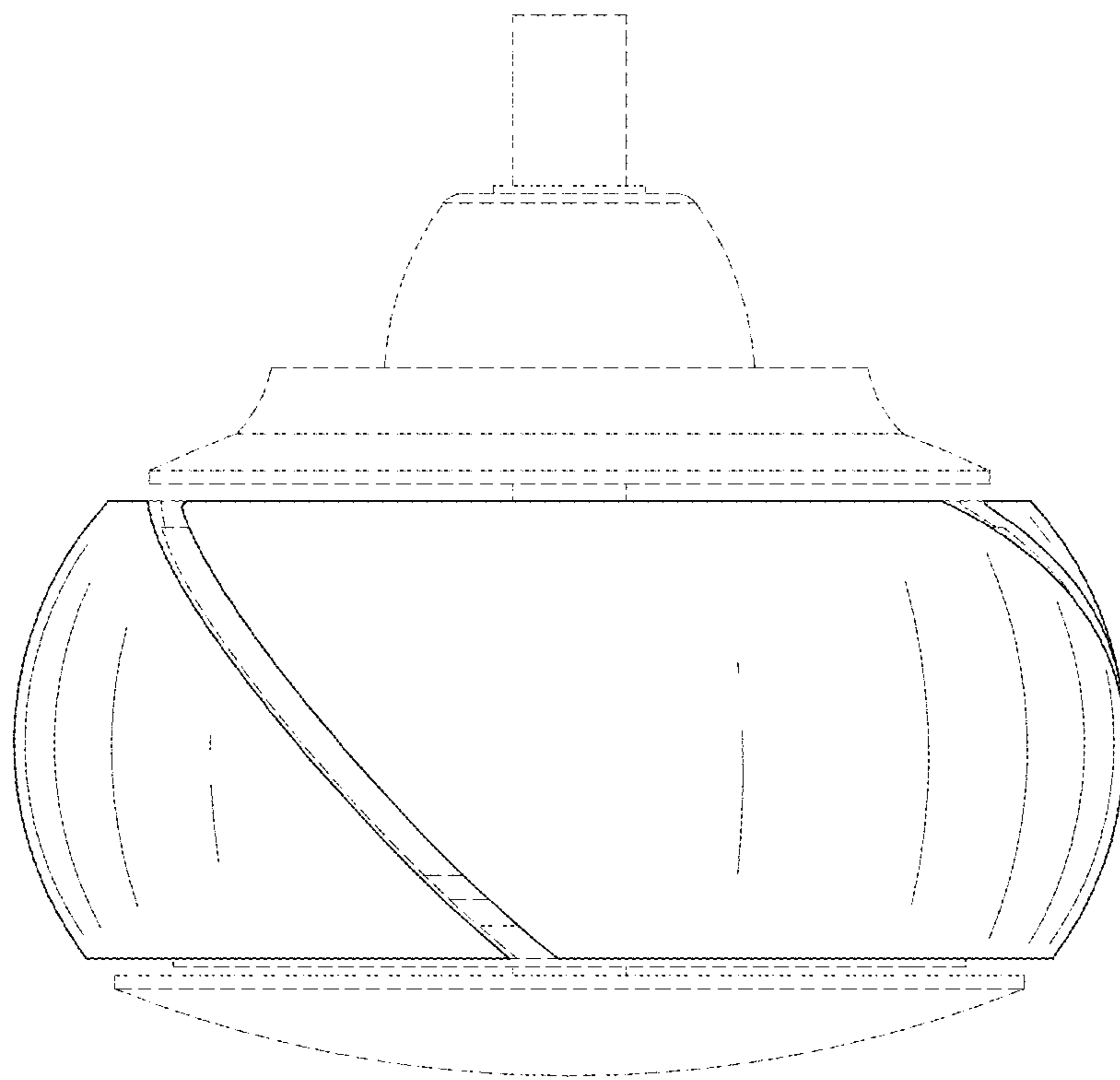


FIG. 4

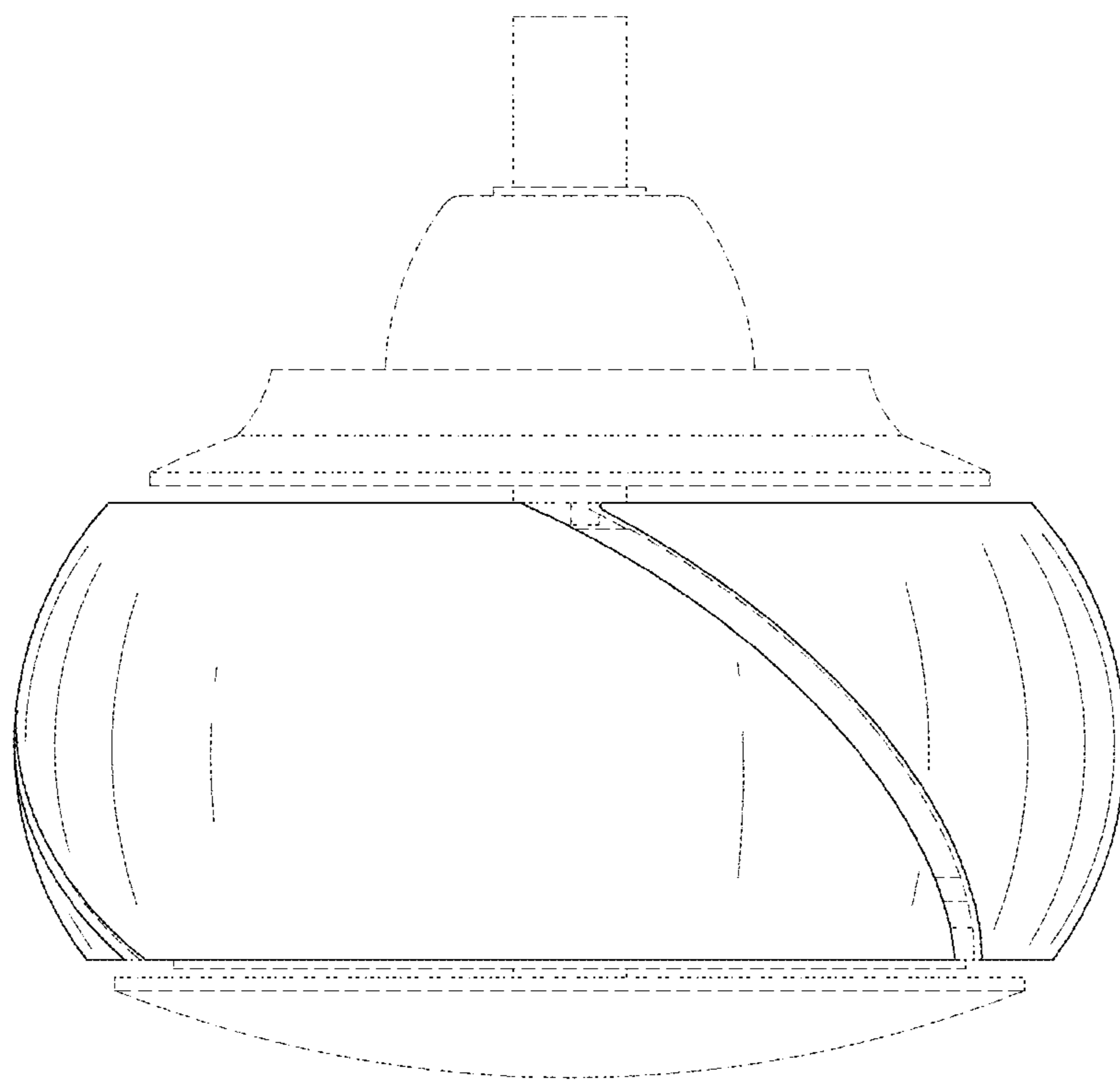


FIG. 5

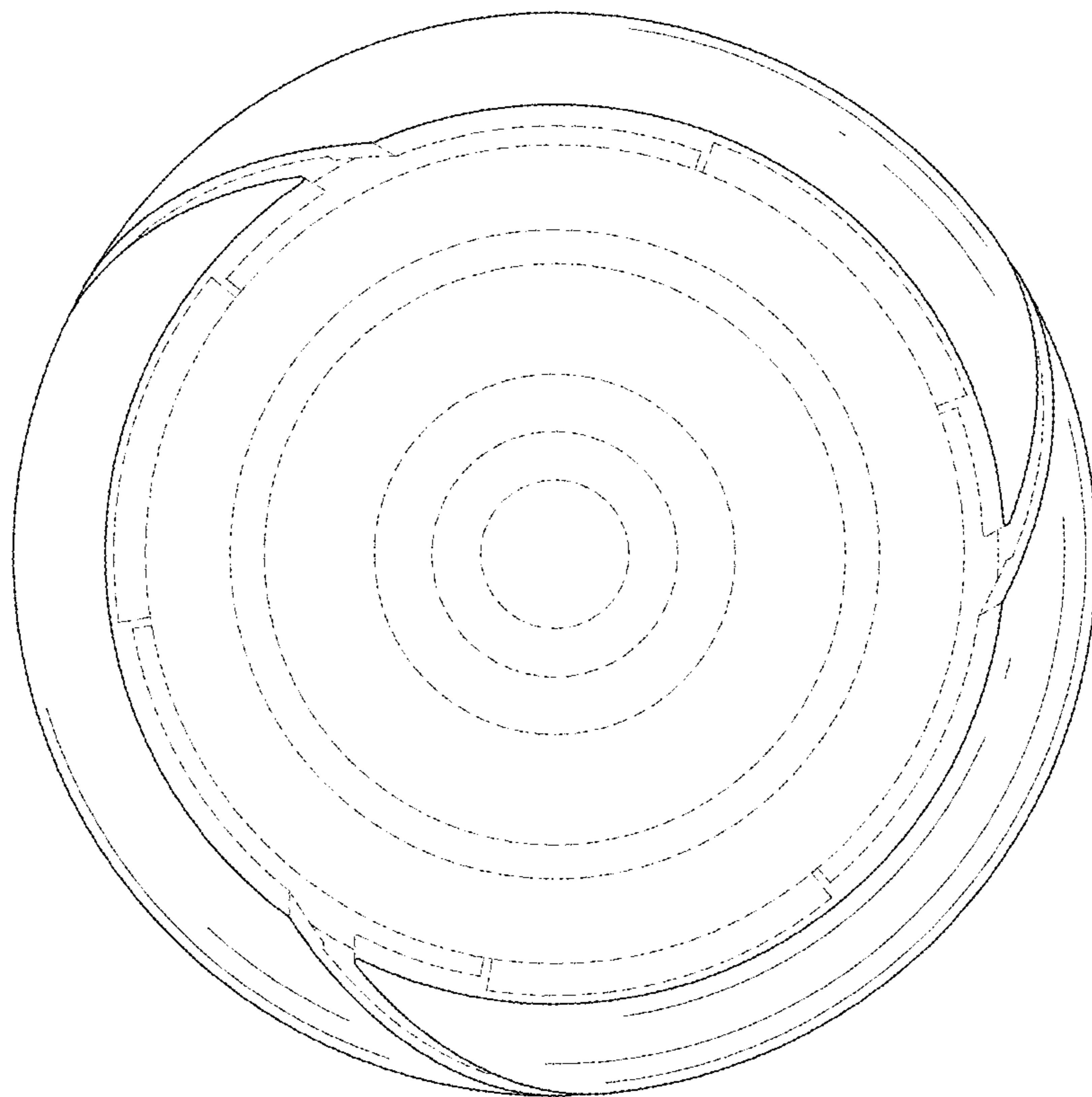


FIG. 6



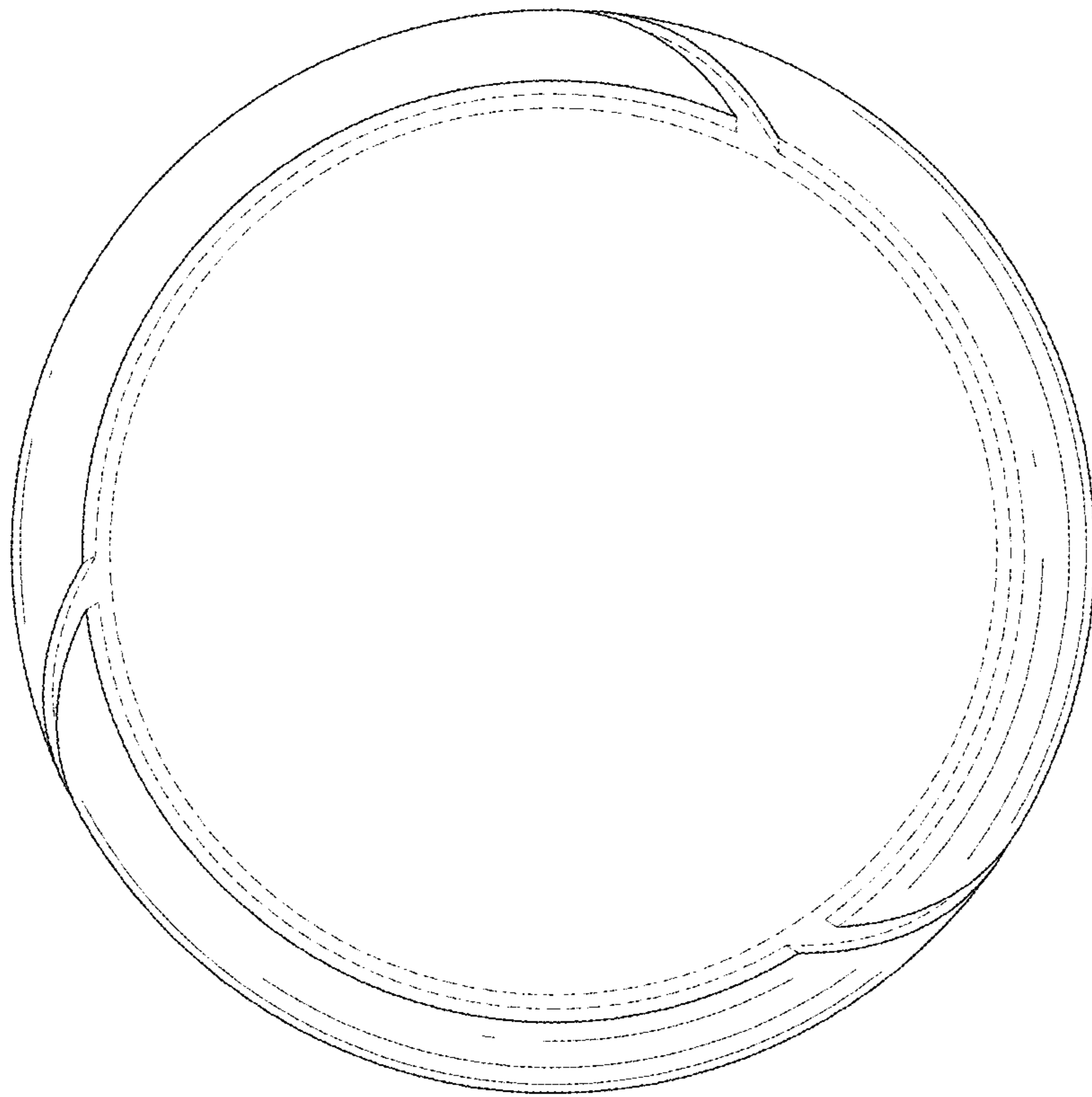


FIG. 7



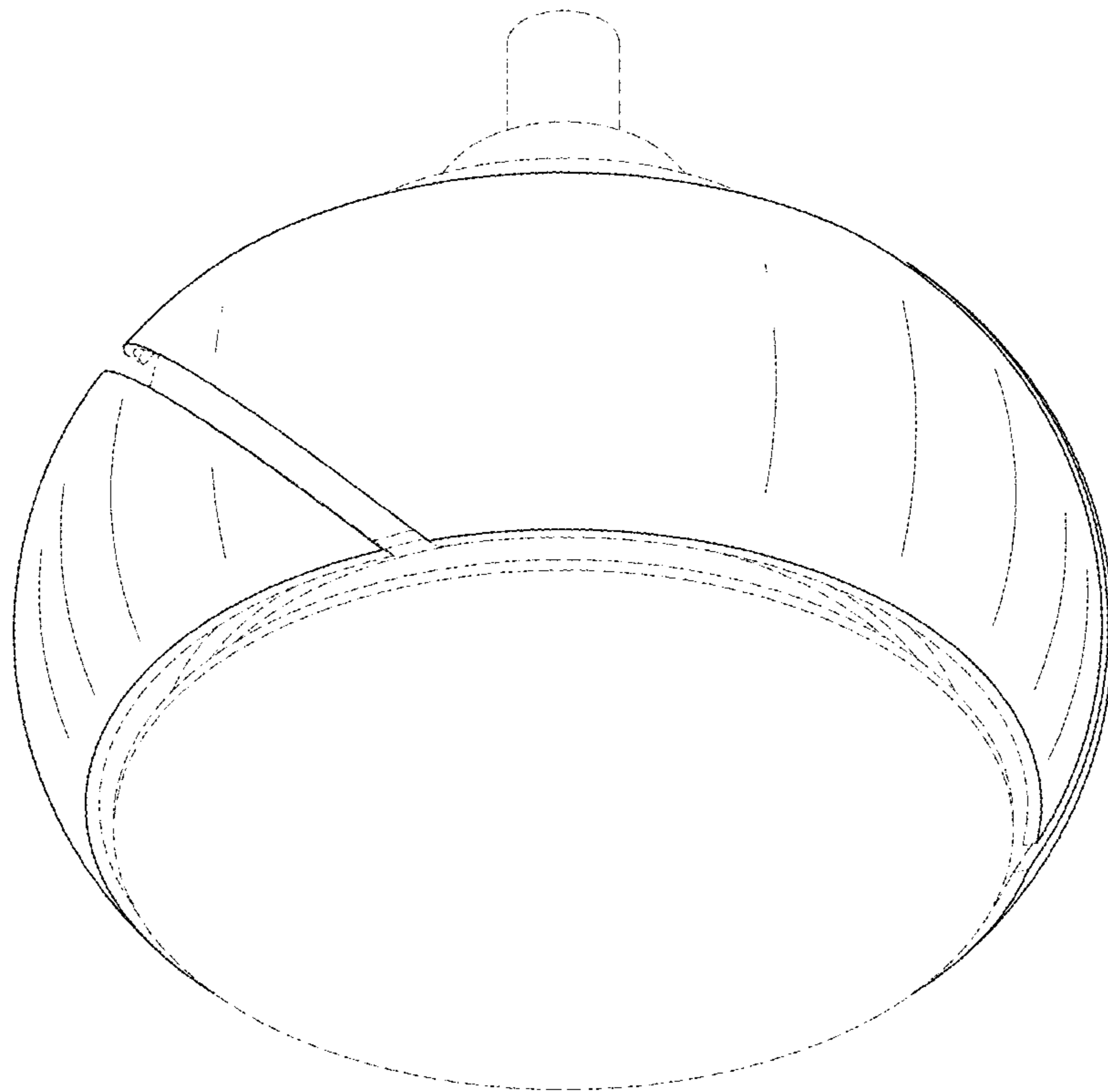


FIG. 8