



US00D870872S

(12) **United States Design Patent**
Takano et al.

(10) **Patent No.:** **US D870,872 S**

(45) **Date of Patent:** **** Dec. 24, 2019**

(54) **HUMIDIFIER**

(71) Applicant: **Rhythm Watch Co., Ltd.**, Saitama (JP)

(72) Inventors: **Jun Takano**, Tokyo (JP); **Hajime Ikeuchi**, Saitama (JP)

(73) Assignee: **Rhythm Watch Co., Ltd.**, Saitama (JP)

(**) Term: **15 Years**

(21) Appl. No.: **29/662,831**

(22) Filed: **Sep. 10, 2018**

(30) **Foreign Application Priority Data**

Mar. 16, 2018 (JP) 2018-005643

(51) **LOC (12) Cl.** **23-04**

(52) **U.S. Cl.**
USPC **D23/356**

(58) **Field of Classification Search**

USPC D23/355-366, 352, 369, 332, 333, 335,
D23/336, 342, 351; 422/120, 122;
55/356, 473, 504; 96/971; 261/DIG. 17,
261/DIG. 65, DIG. 88, DIG. 31
CPC .. A61L 9/16; A61L 9/22; B01D 47/00; B01D
47/027; B01D 2221/02; B01D 2259/4508;
B03C 3/155; B03C 3/368; F24F 3/16;
F24F 13/20

See application file for complete search history.

(56) **References Cited**

U.S. PATENT DOCUMENTS

D378,607 S * 3/1997 Chiu D23/356
D380,820 S * 7/1997 Levine D23/356

D450,110 S * 11/2001 Montagnino D23/356
D481,112 S * 10/2003 Best D23/356
D522,639 S * 6/2006 Tschaepeler D23/359
D522,641 S * 6/2006 Matsuda D23/366
D522,642 S * 6/2006 Matsuda D23/366
D525,693 S * 7/2006 Butler D23/366
D612,924 S * 3/2010 Jorgensen D23/366
D621,020 S * 8/2010 Lehaneur D23/364
D806,844 S * 1/2018 Kim D23/364
D807,484 S * 1/2018 Sevy D23/366
D807,485 S * 1/2018 Bishop D23/366

* cited by examiner

Primary Examiner — David G Muller

(74) *Attorney, Agent, or Firm* — Hoffmann & Baron LLP

(57) **CLAIM**

The ornamental design for the humidifier, as shown and described.

DESCRIPTION

FIG. 1 is a perspective view of a humidifier;
FIG. 2 is a front view of the humidifier shown in FIG. 1;
FIG. 3 is a back view of the humidifier shown in FIG. 1;
FIG. 4 is a top view of the humidifier shown in FIG. 1;
FIG. 5 is a bottom view of the humidifier shown in FIG. 1;
FIG. 6 is a left view of the humidifier shown in FIG. 1; and,
FIG. 7 is a right view of the humidifier shown in FIG. 1.
The broken line showing of parts of the drawings is included for the purpose of illustrating use and environment and forms no part of the claimed design.

1 Claim, 7 Drawing Sheets

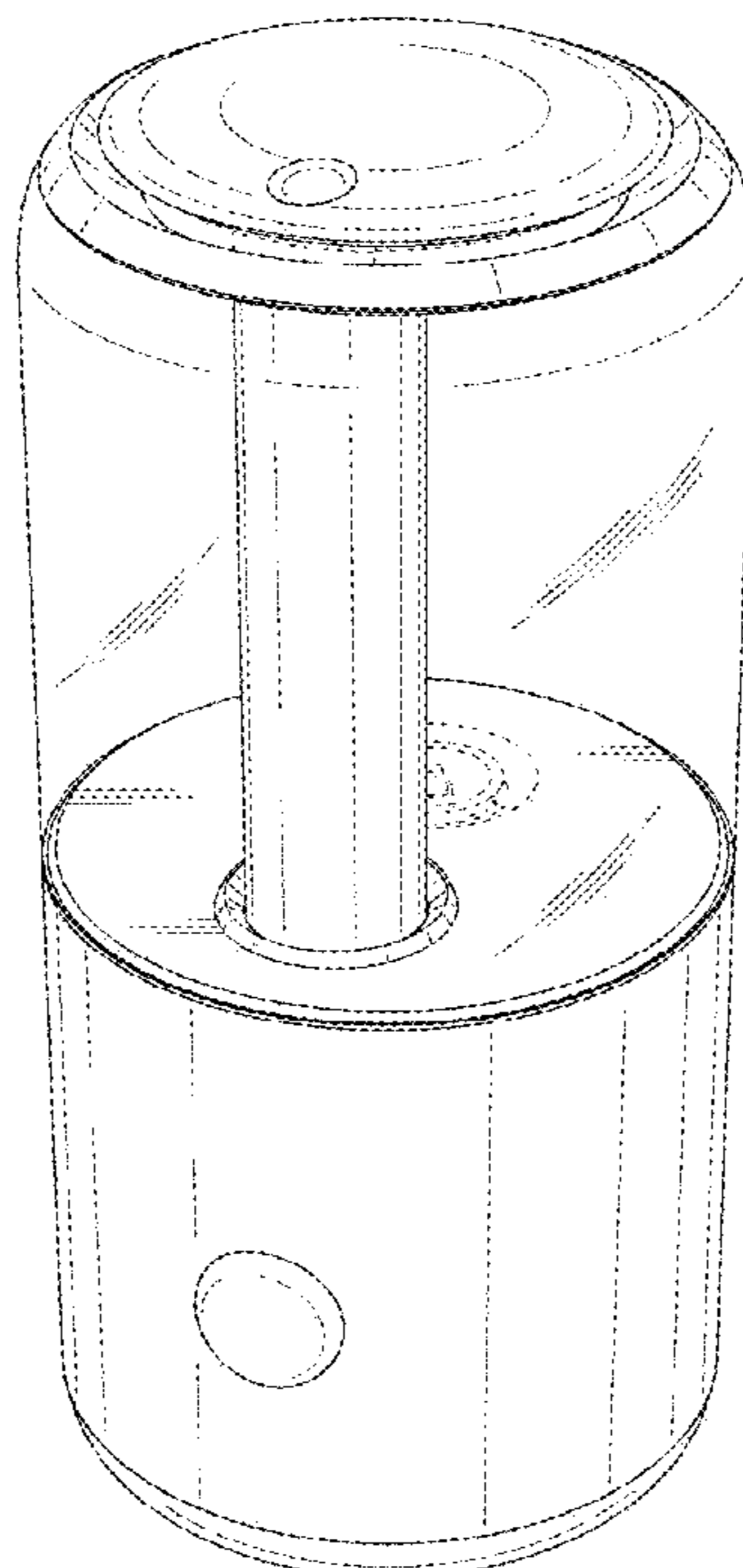


Fig. 1

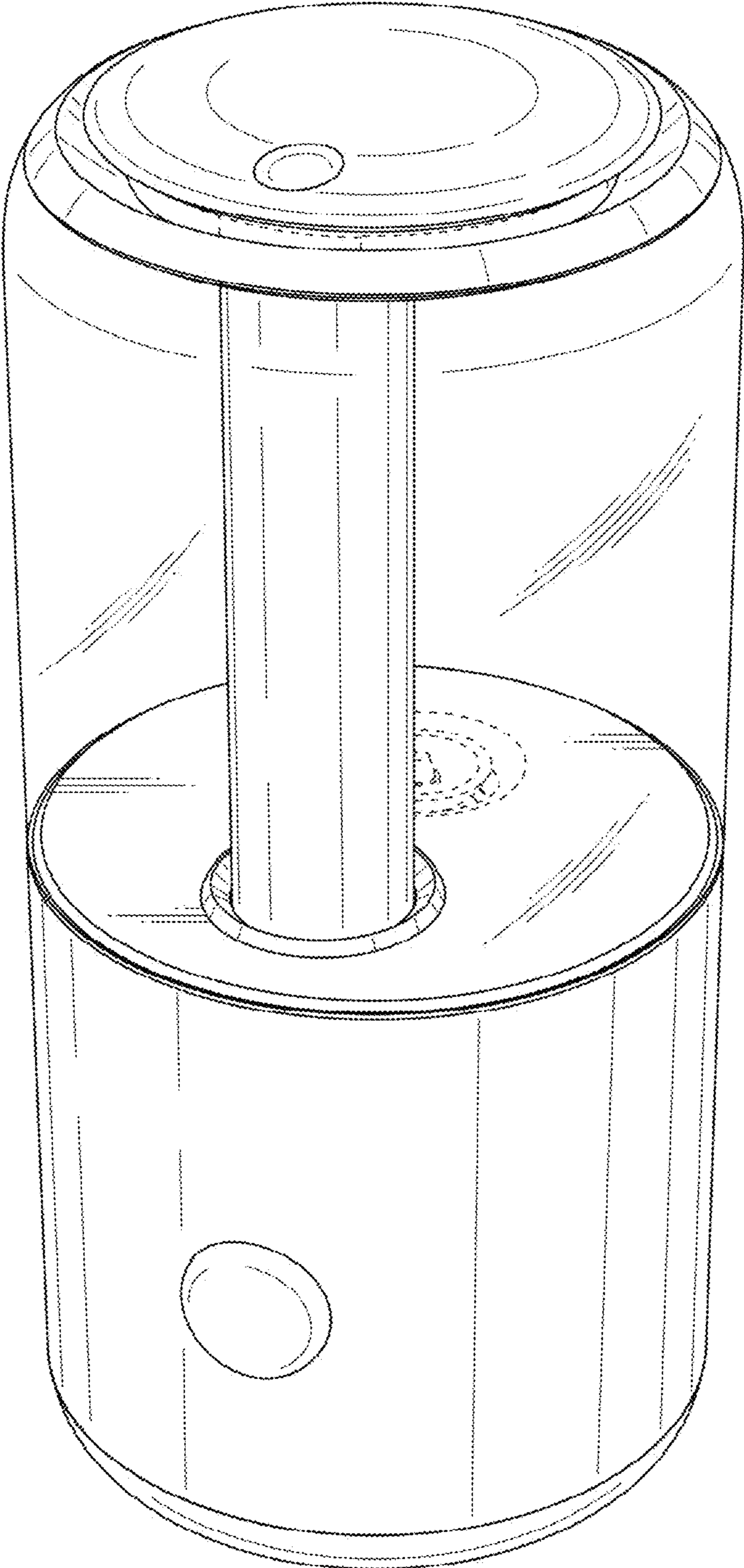


Fig. 2

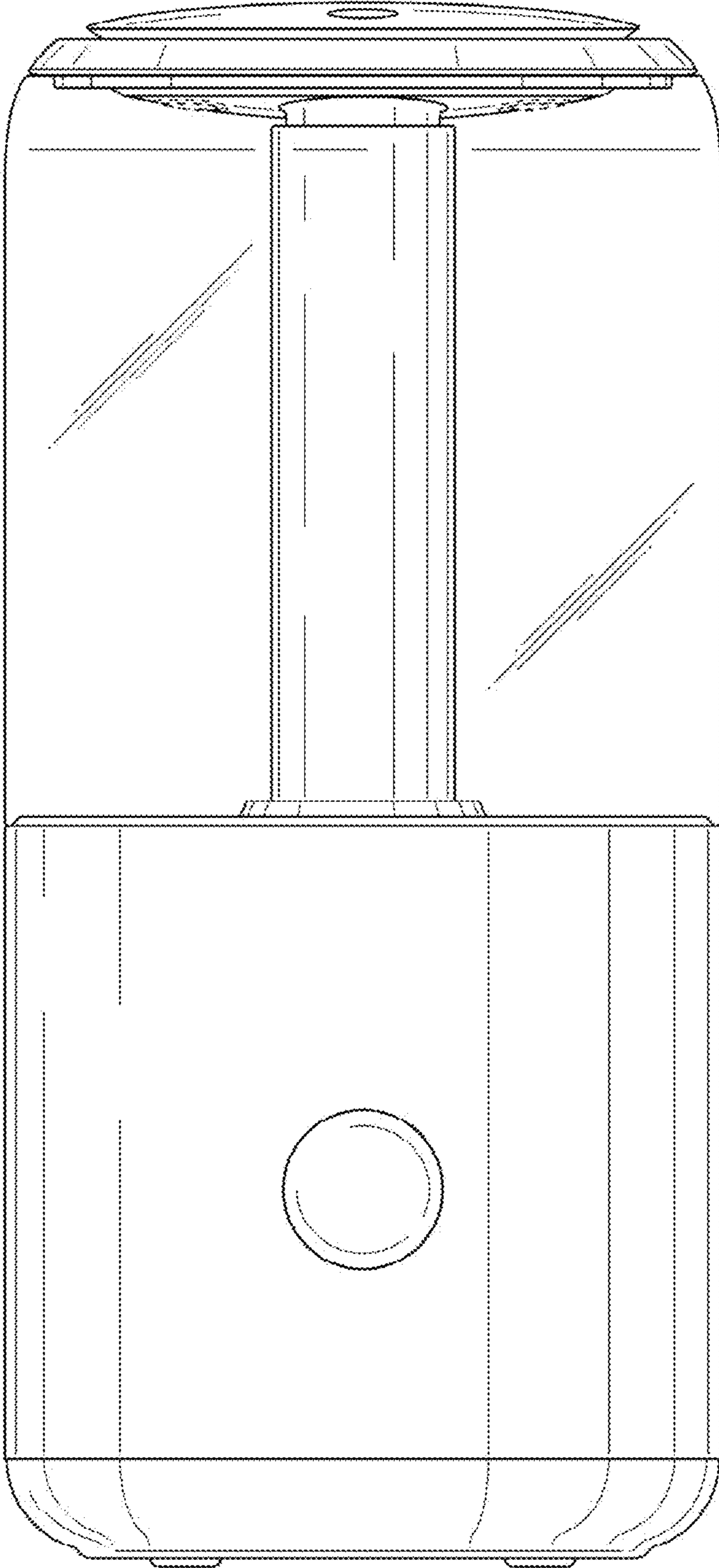


Fig. 3

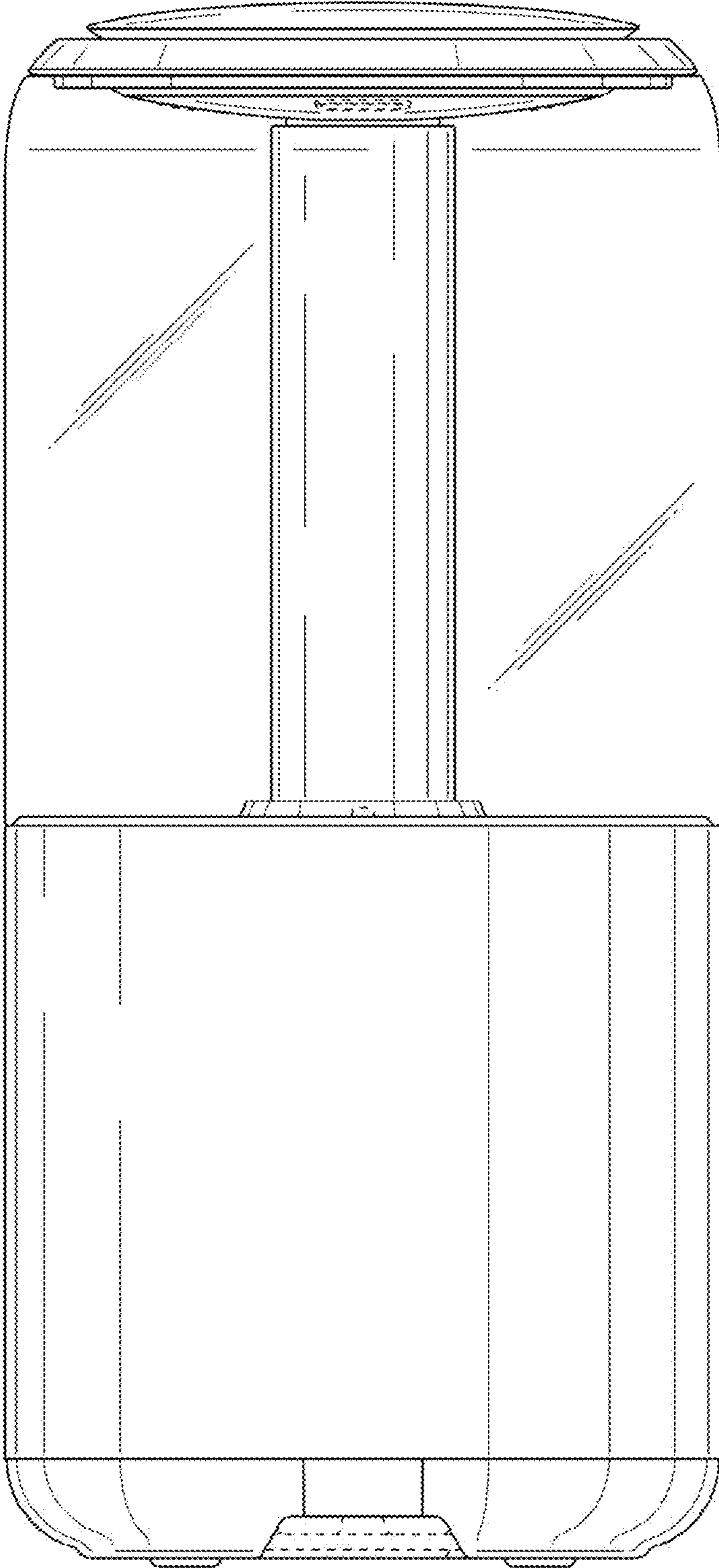


Fig. 4

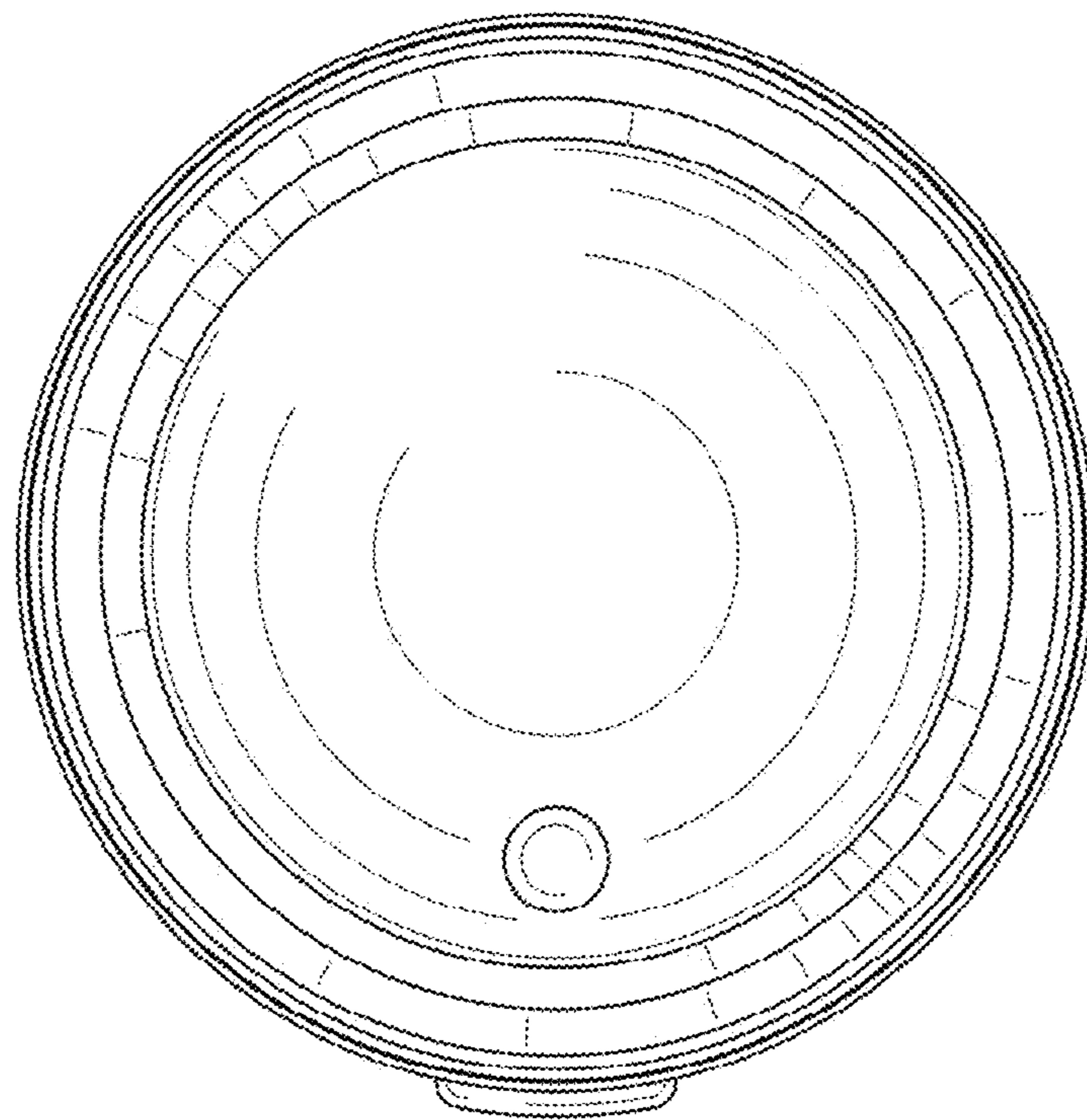


Fig. 5

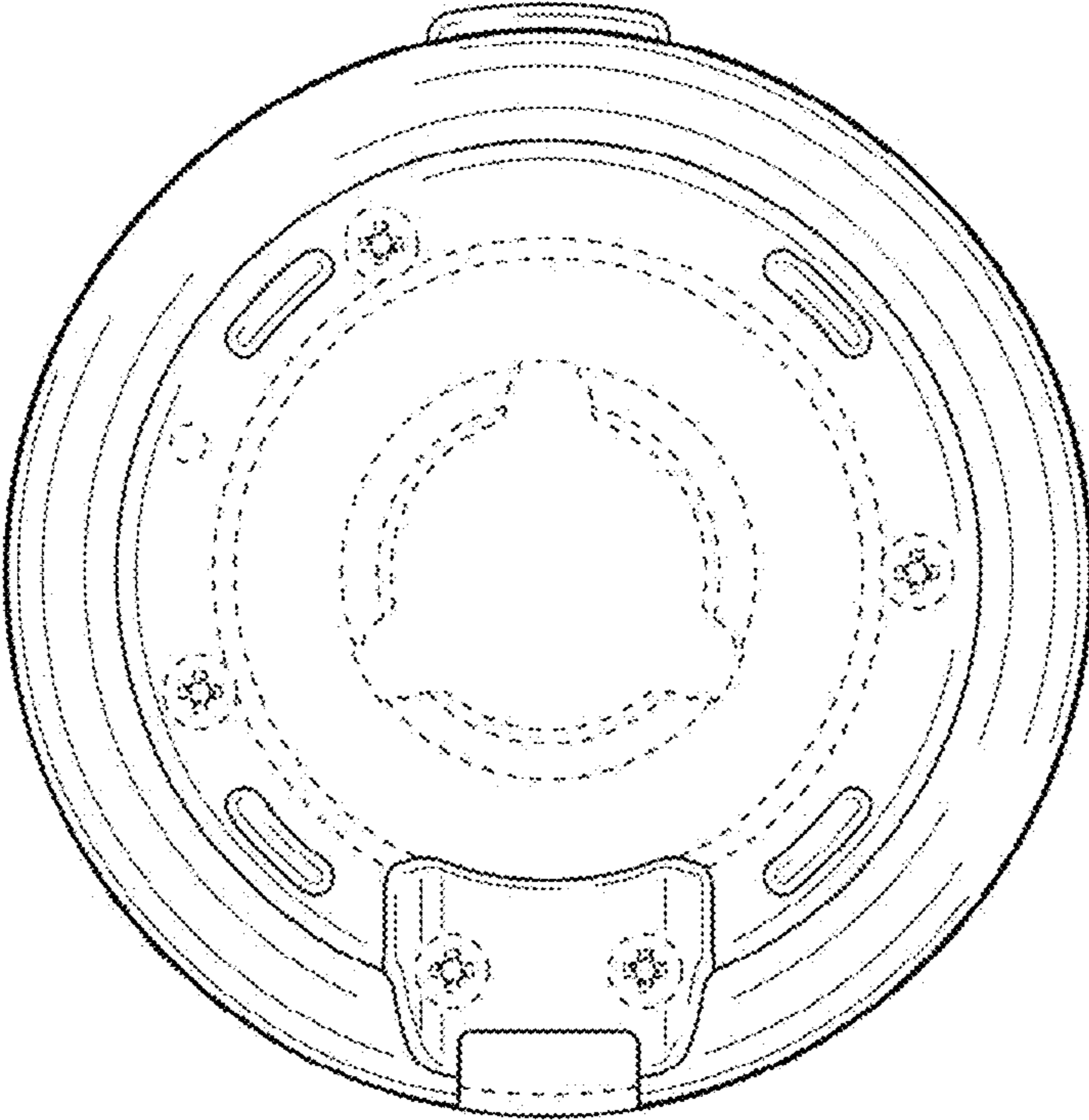


Fig. 6

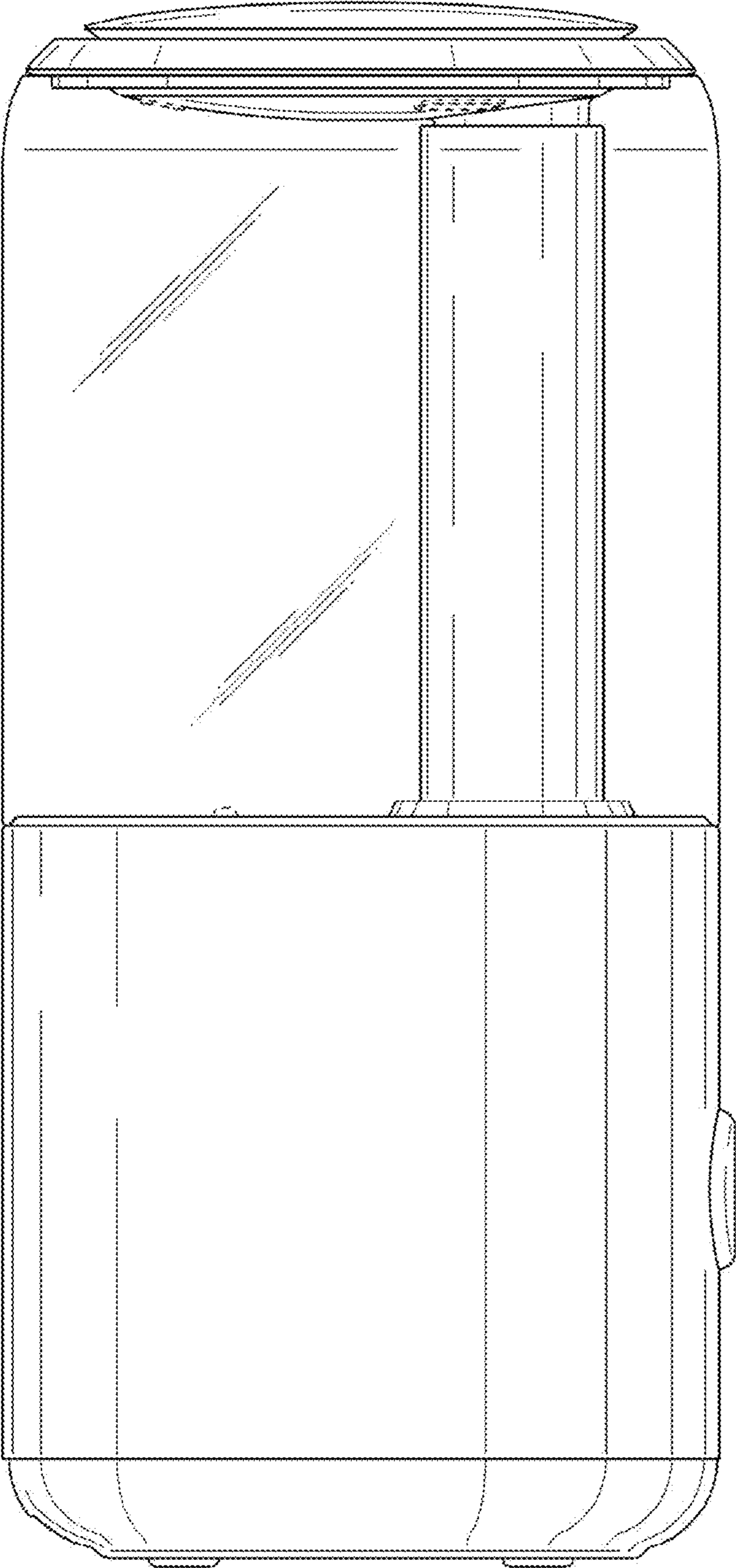


Fig. 7

