



US00D870871S

(12) **United States Design Patent** (10) **Patent No.:** **US D870,871 S**
McDonnell (45) **Date of Patent:** **** Dec. 24, 2019**

(54) **CONVERTIBLE HUMIDIFIER**

Primary Examiner — Kevin K Rudzinski

(71) Applicant: **Great Innovations, LLC**, Miramar, FL (US)

(74) *Attorney, Agent, or Firm* — Bass, Berry & Sims, PLC

(72) Inventor: **Joseph A. McDonnell**, Miramar, FL (US)

(57) **CLAIM**

(73) Assignee: **Great Innovations, LLC**, Miramar, FL (US)

The ornamental design for a convertible humidifier, as shown and described.

(**) Term: **15 Years**

DESCRIPTION

(21) Appl. No.: **29/616,993**

FIG. 1 is a first perspective view of a convertible humidifier showing my new design;

(22) Filed: **Sep. 11, 2017**

FIG. 2 is a first front side view thereof;

Related U.S. Application Data

FIG. 3 is a first rear side view thereof;

(63) Continuation-in-part of application No. 29/536,546, filed on Aug. 18, 2015, now Pat. No. Des. 797,270, which is a continuation-in-part of application No. 29/511,729, filed on Dec. 12, 2014, now Pat. No. Des. 771,784.

FIG. 4 is a first left side view thereof;

FIG. 5 is a first right side view thereof;

FIG. 6 is a first top plan view thereof;

FIG. 7 is a first bottom plan view thereof;

FIG. 8 is a second perspective view of the convertible humidifier showing my new design;

(51) **LOC (12) Cl.** **23-04**

FIG. 9 is a second front side view thereof;

(52) **U.S. Cl.**

FIG. 10 is a second rear side view thereof;

USPC **D23/356**

FIG. 11 is a second left side view thereof;

(58) **Field of Classification Search**

FIG. 12 is a second right side view thereof;

USPC D23/356, 364, 359, 358, 366

FIG. 13 is a second top plan view thereof;

CPC F24F 6/12

FIG. 14 is a second bottom plan view thereof;

See application file for complete search history.

FIG. 15 is a third perspective view of the convertible humidifier showing my new design;

(56) **References Cited**

FIG. 16 is a third front side view thereof;

U.S. PATENT DOCUMENTS

D221,763 S *	9/1971	Gilbertson	D23/364
D380,820 S *	7/1997	Levine	D23/356
D513,797 S *	1/2006	Wang	D23/356
D565,713 S *	4/2008	Gao	D23/356
D659,257 S *	5/2012	Desberg	D24/232
D681,182 S *	4/2013	Tomas Vilarasa	D23/366
D707,337 S *	6/2014	McDonnell	D23/356
D714,923 S *	10/2014	Engelhard	D23/364
D771,784 S *	11/2016	McDonnell	D23/356

FIG. 17 is a third rear side view thereof;

FIG. 18 is a third left side view thereof;

FIG. 19 is a third right side view thereof;

FIG. 20 is a third top plan view thereof;

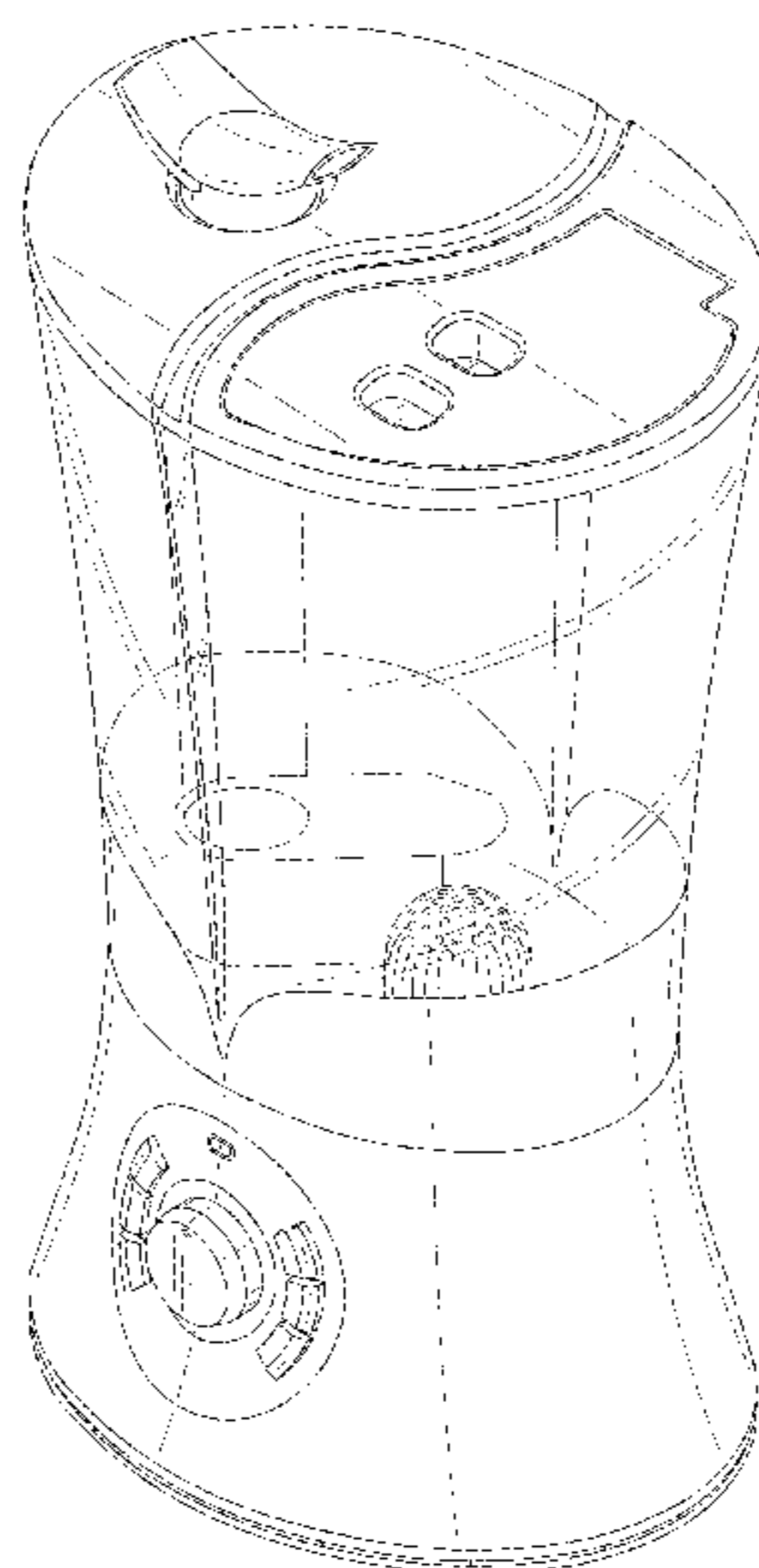
FIG. 21 is a third bottom plan view thereof; and,

FIG. 22 is a fourth perspective view of the convertible humidifier showing my new design.

The broken lines are included for the purpose of illustrating portions of the humidifier that forms no part of the claimed design.

(Continued)

1 Claim, 22 Drawing Sheets



(56)

References Cited

U.S. PATENT DOCUMENTS

D788,279	S	*	5/2017	Lee	D23/359
D797,270	S	*	9/2017	McDonnell	D23/356
D801,503	S	*	10/2017	Reed	D23/356
D820,422	S	*	6/2018	Kim	D23/364
2016/0356514	A1	*	12/2016	Cai	F24F 6/14
2019/0024915	A1	*	1/2019	Cai	F24F 6/12
2019/0083671	A1	*	3/2019	McDonnell	A61L 9/14

* cited by examiner

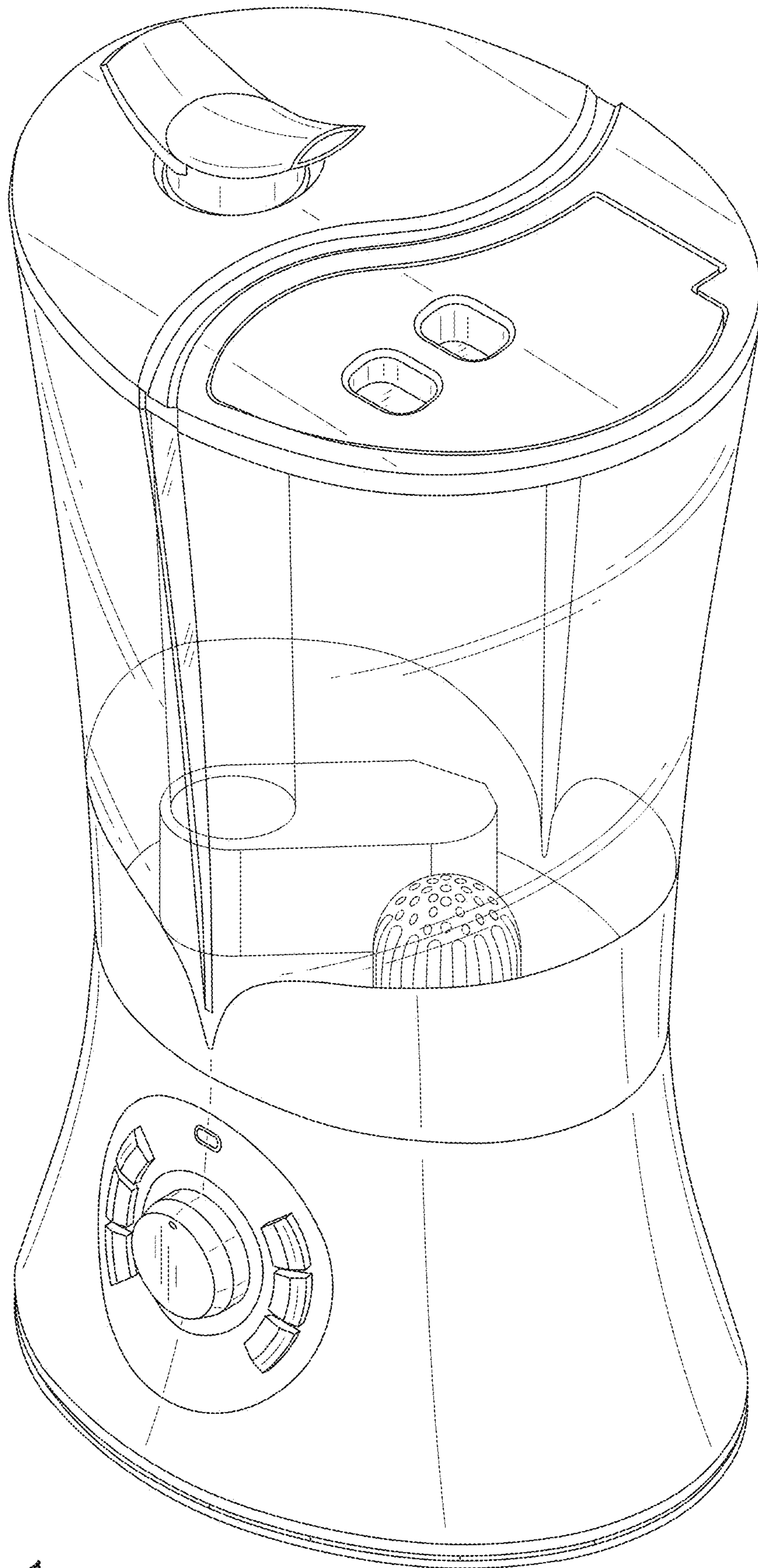


FIG. 1

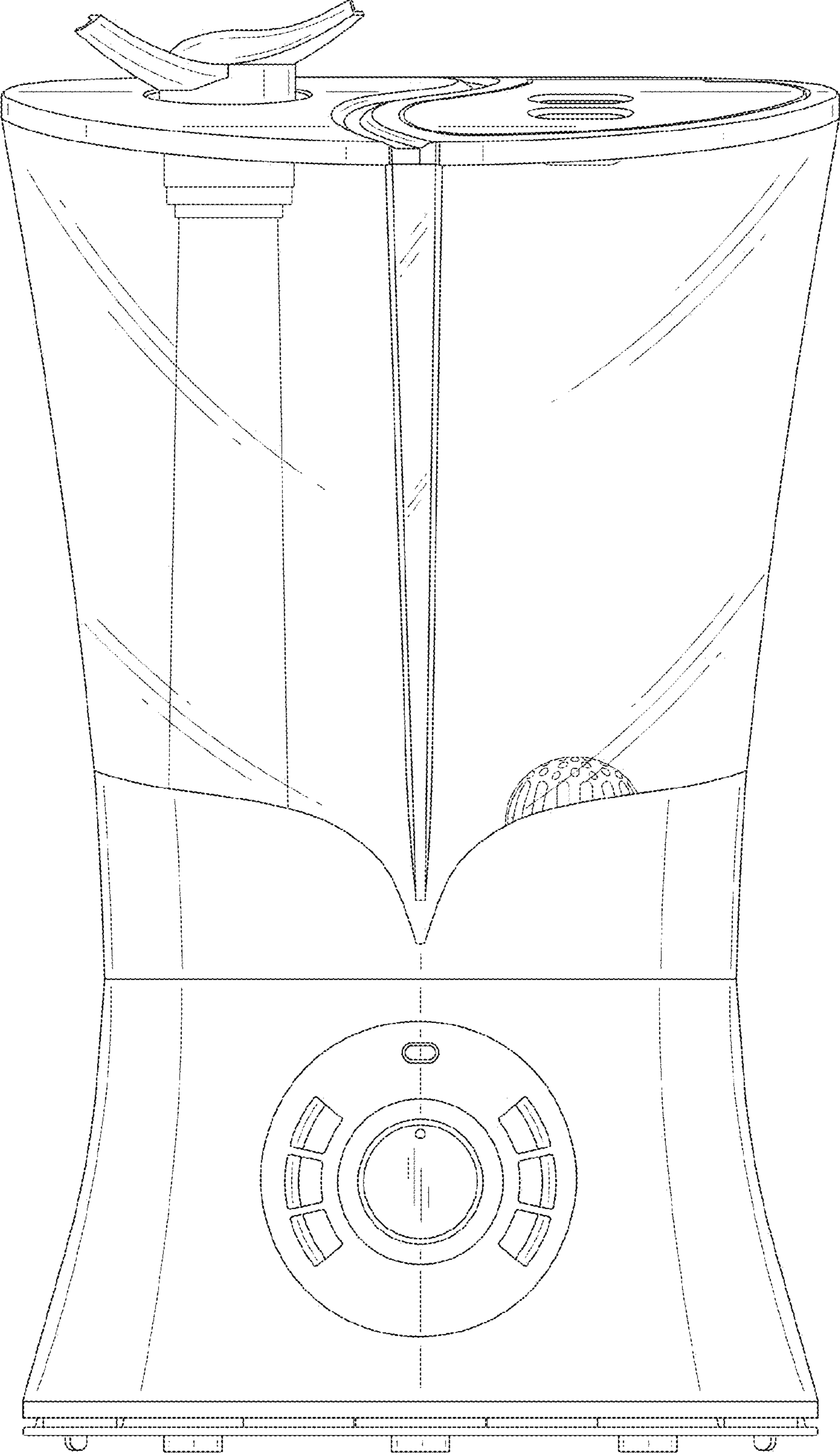


FIG. 2

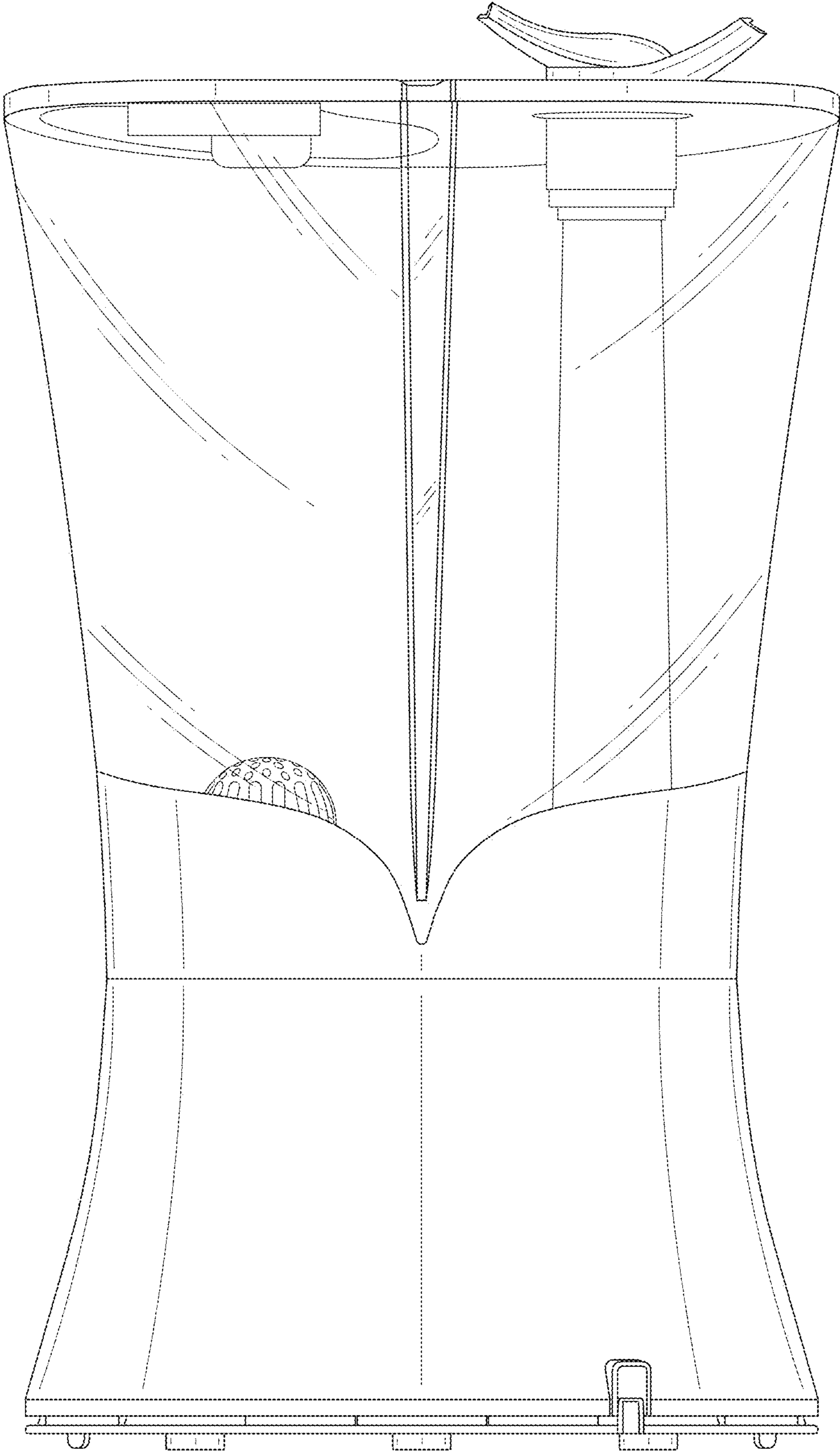


FIG. 3

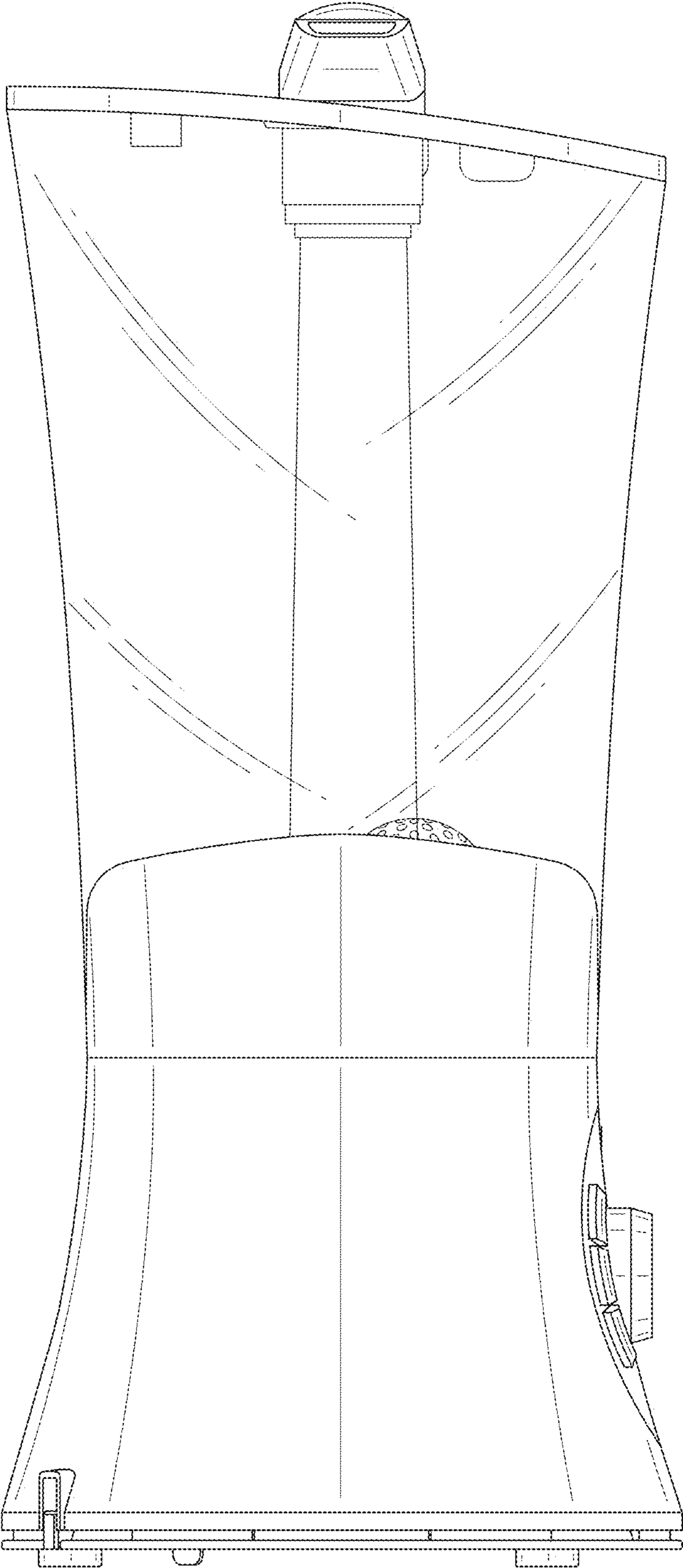


FIG. 4

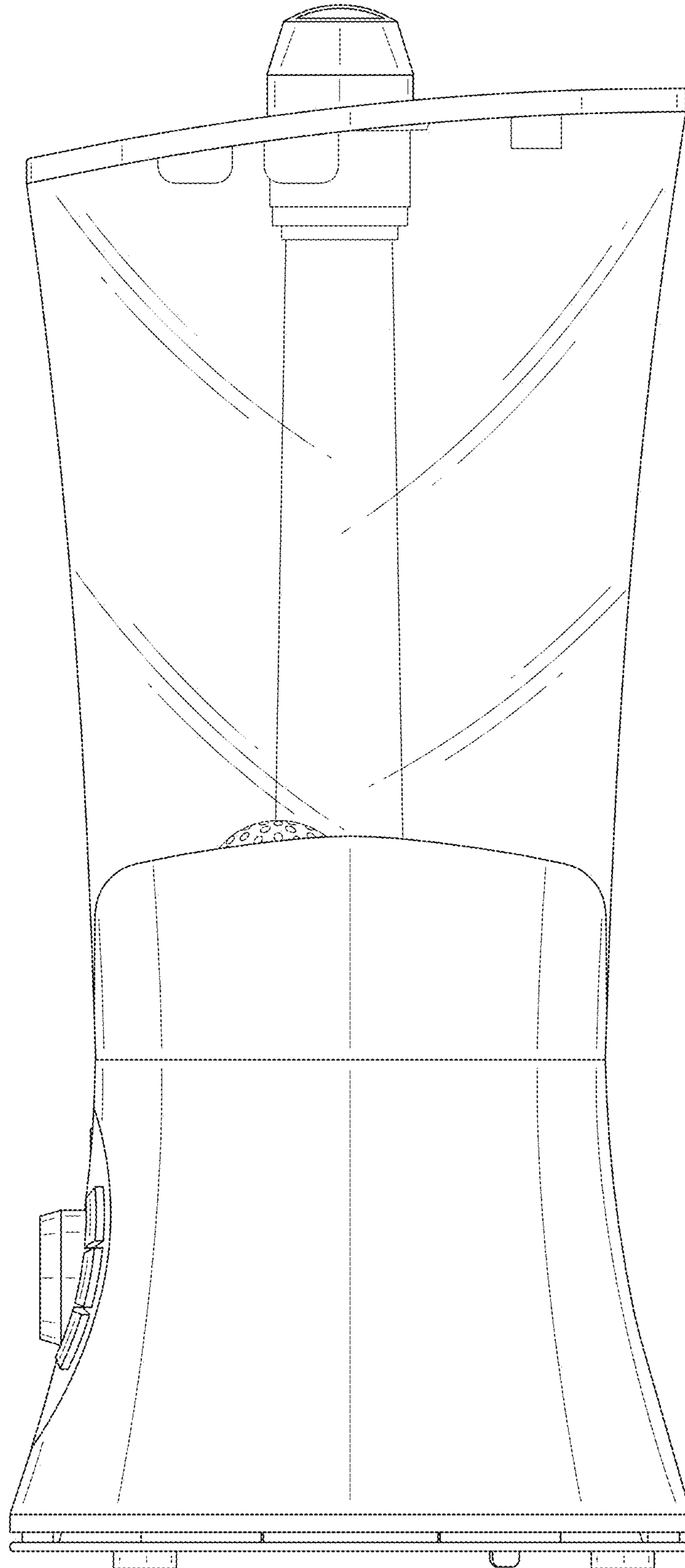


FIG. 5

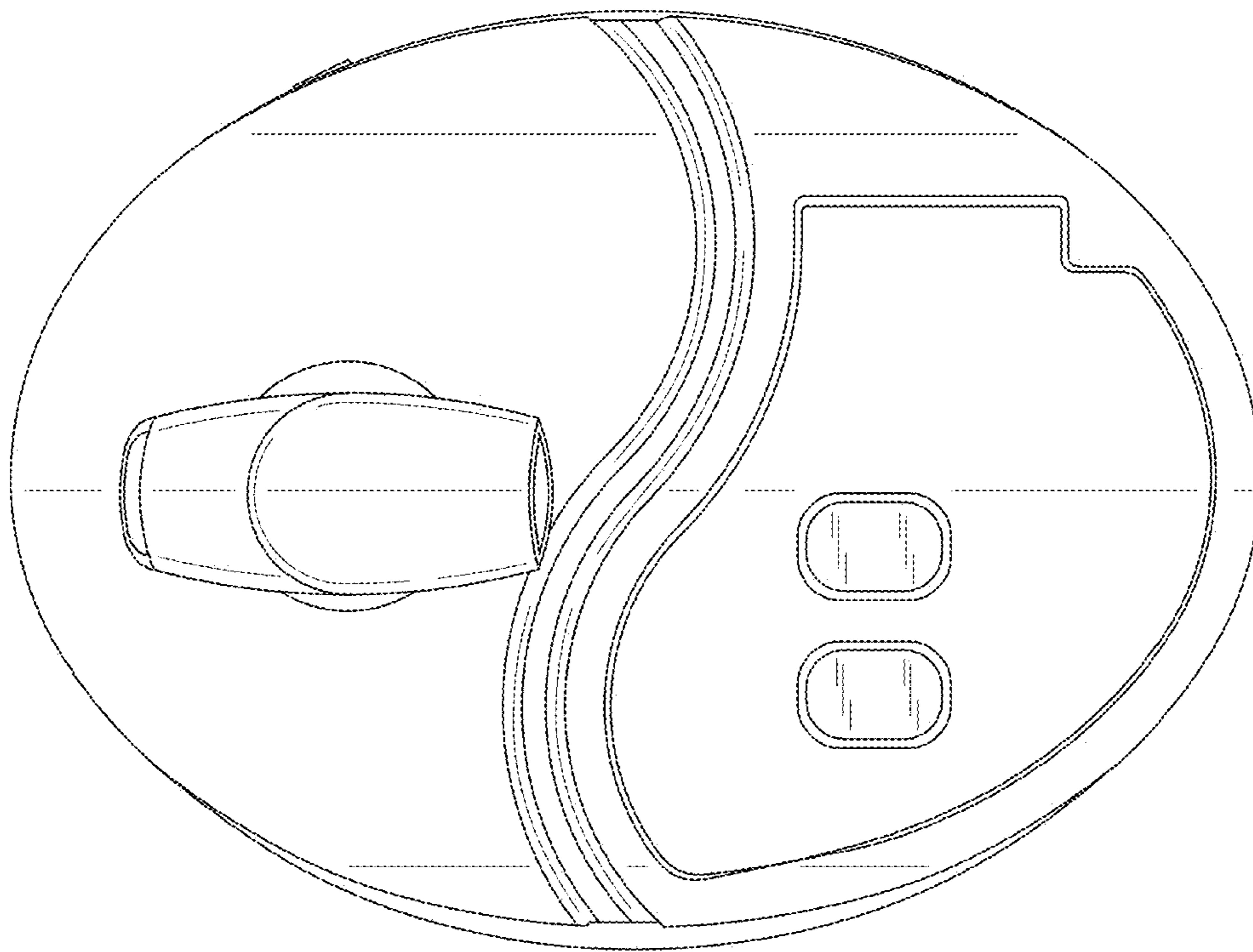


FIG. 6

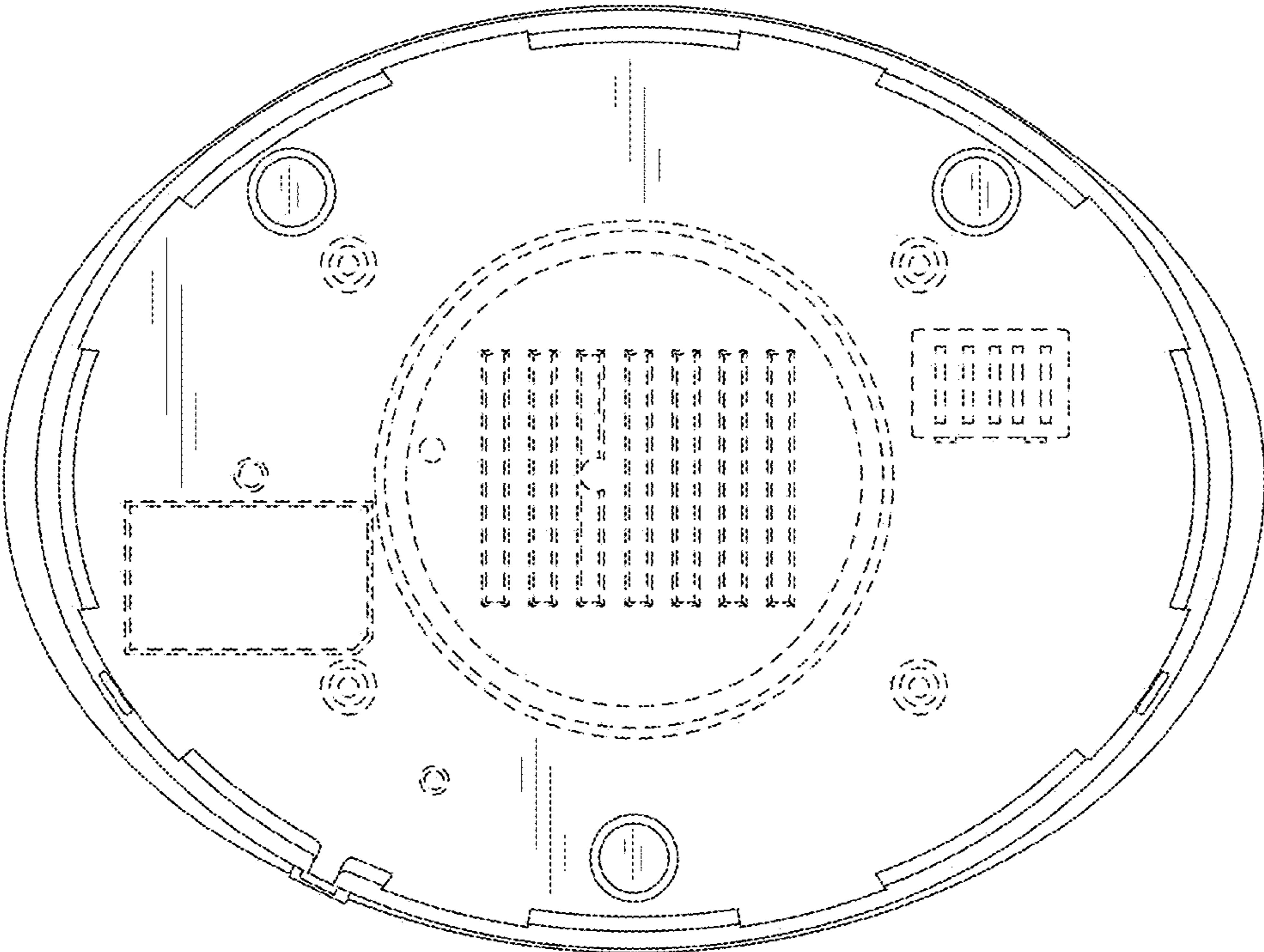


FIG. 7

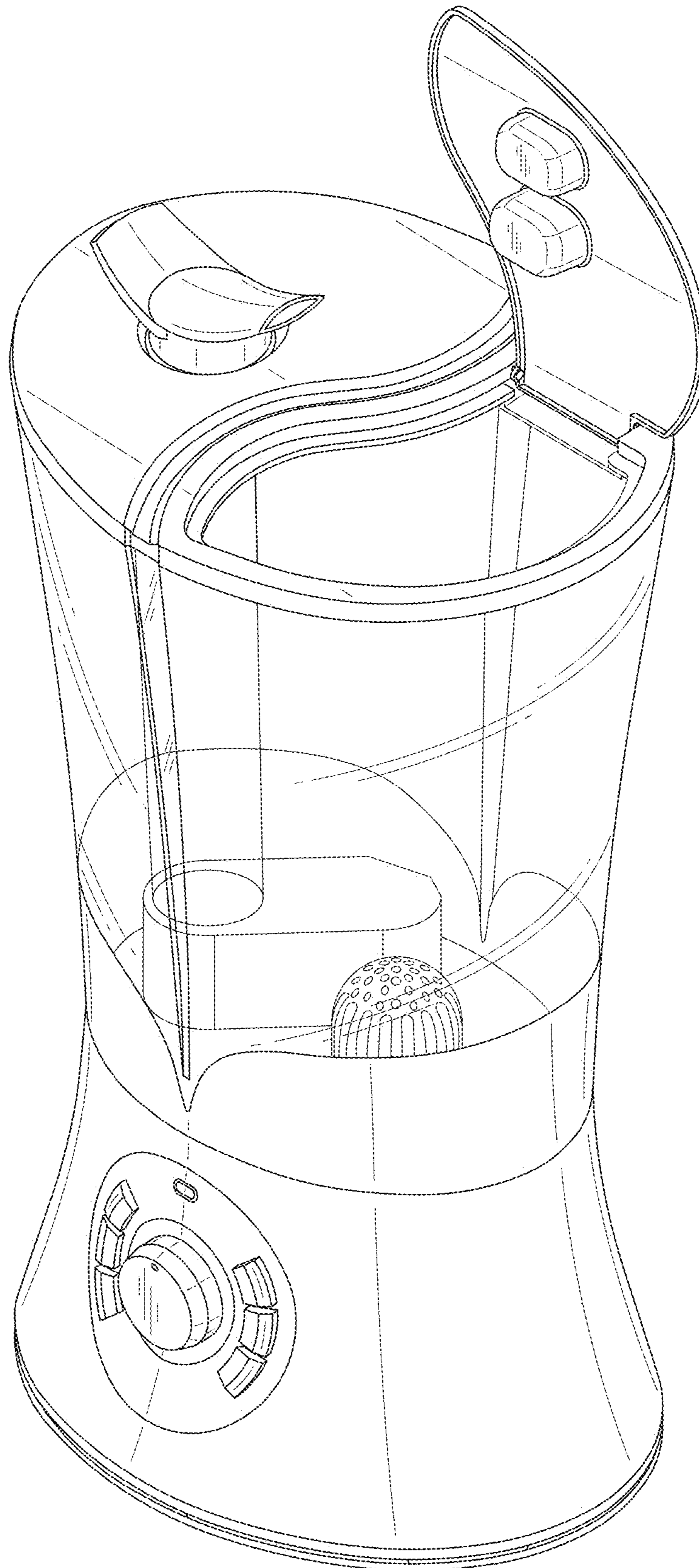


FIG. 8

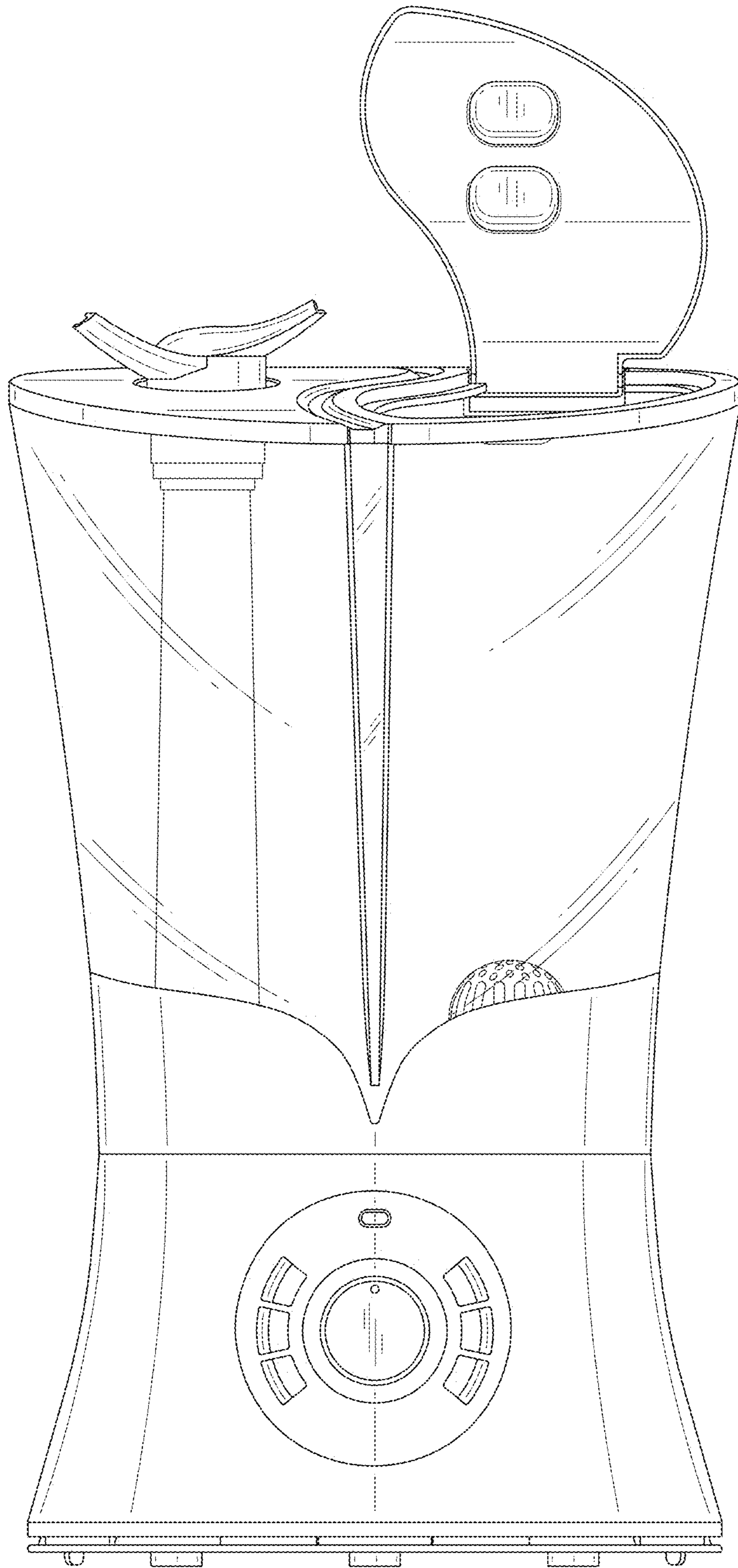


FIG. 9

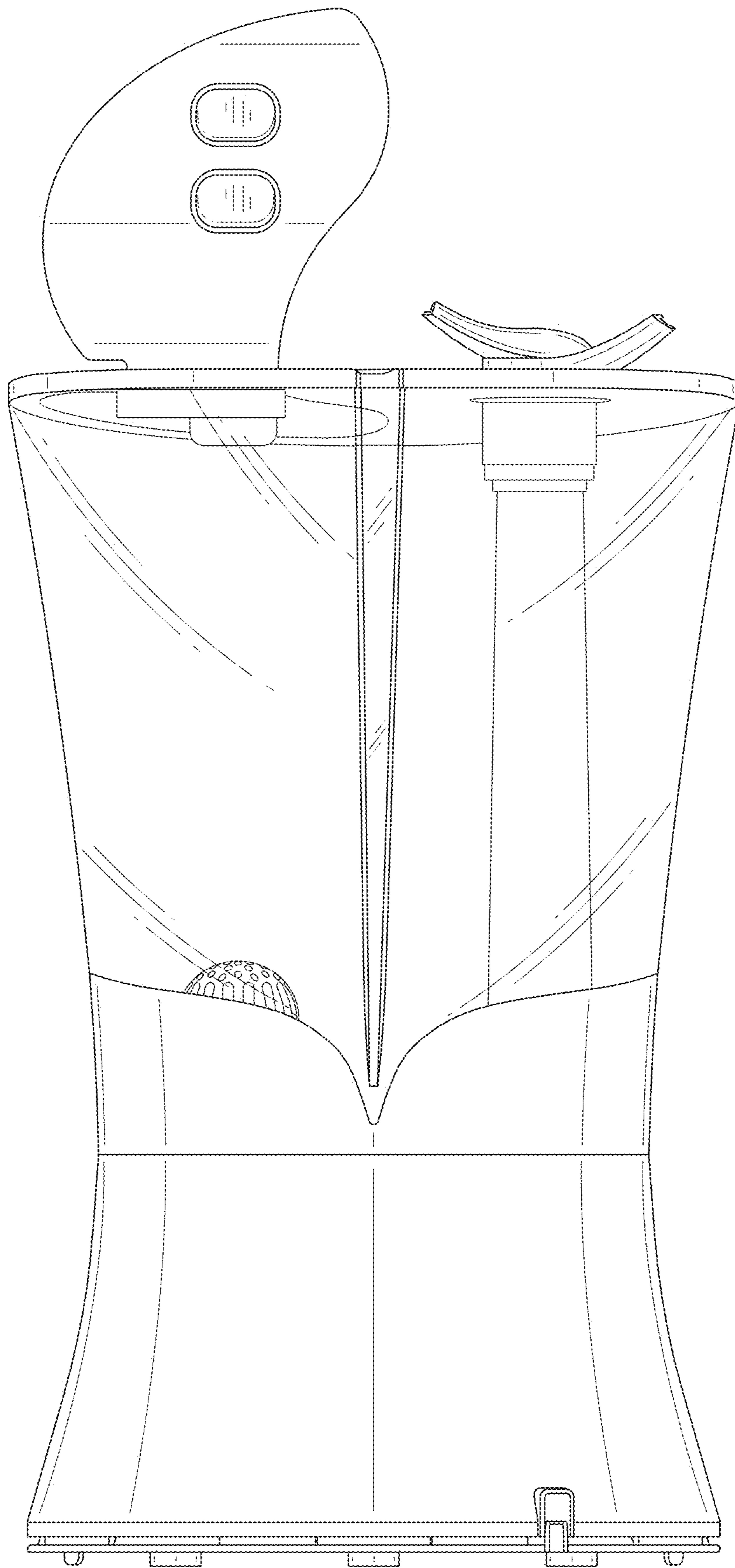


FIG. 10

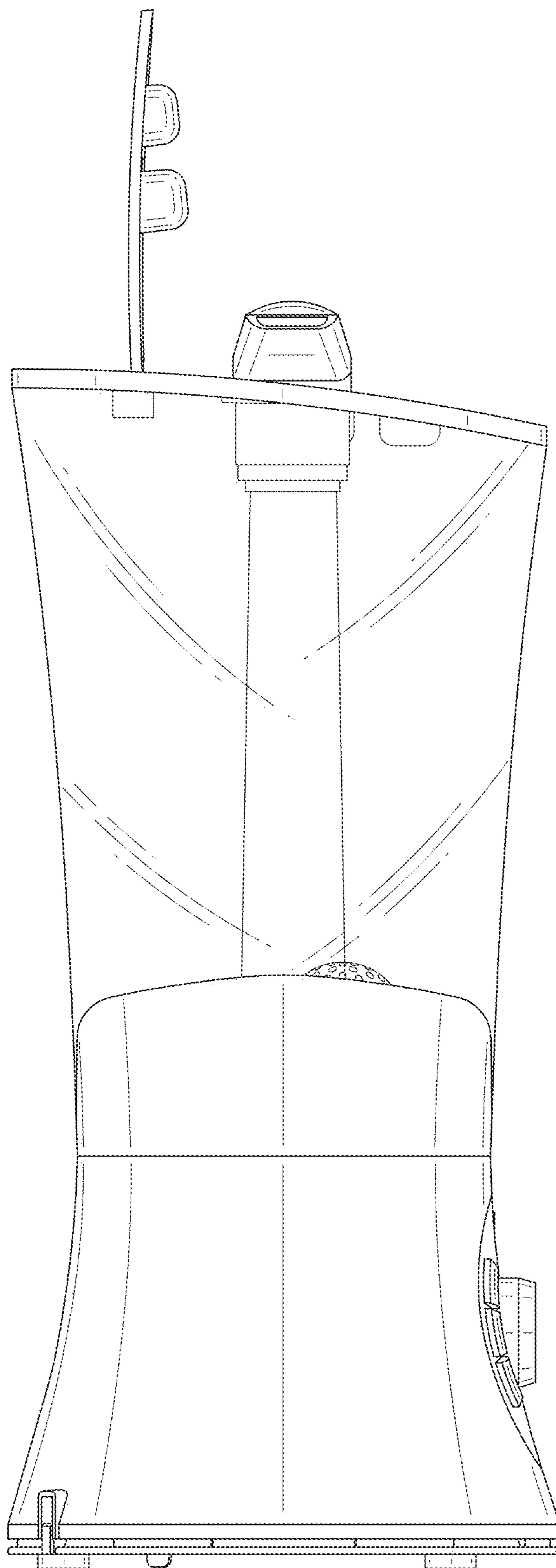


FIG. 11

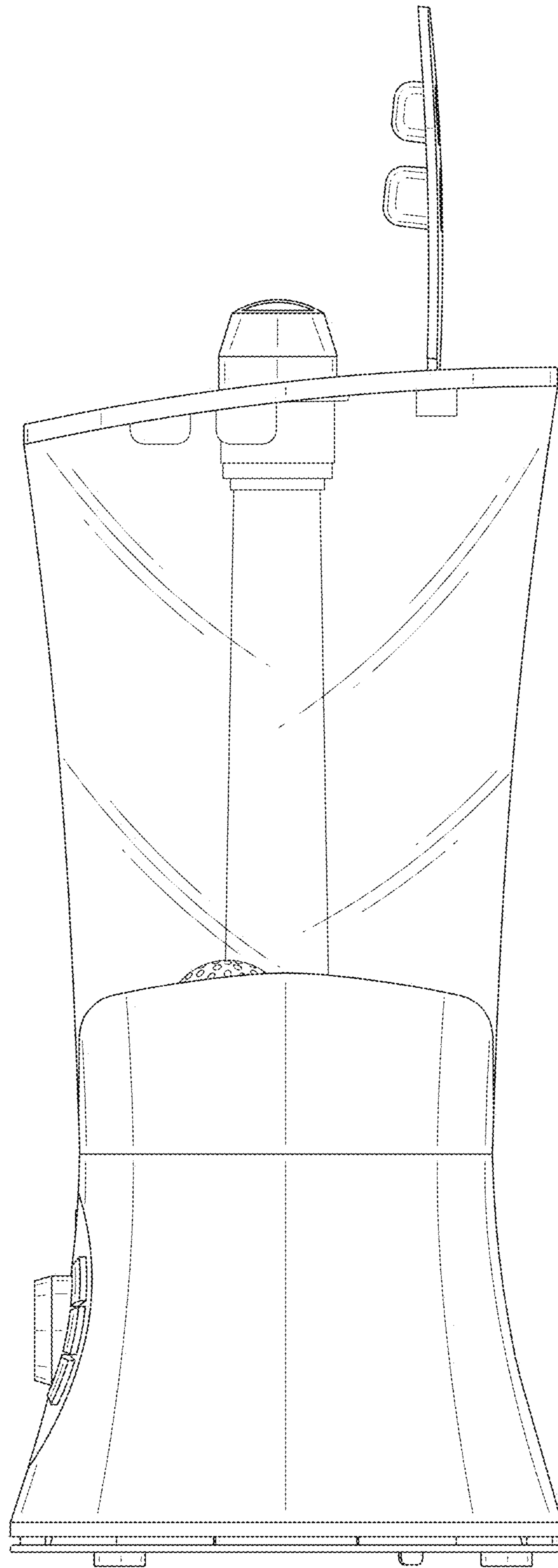


FIG. 12

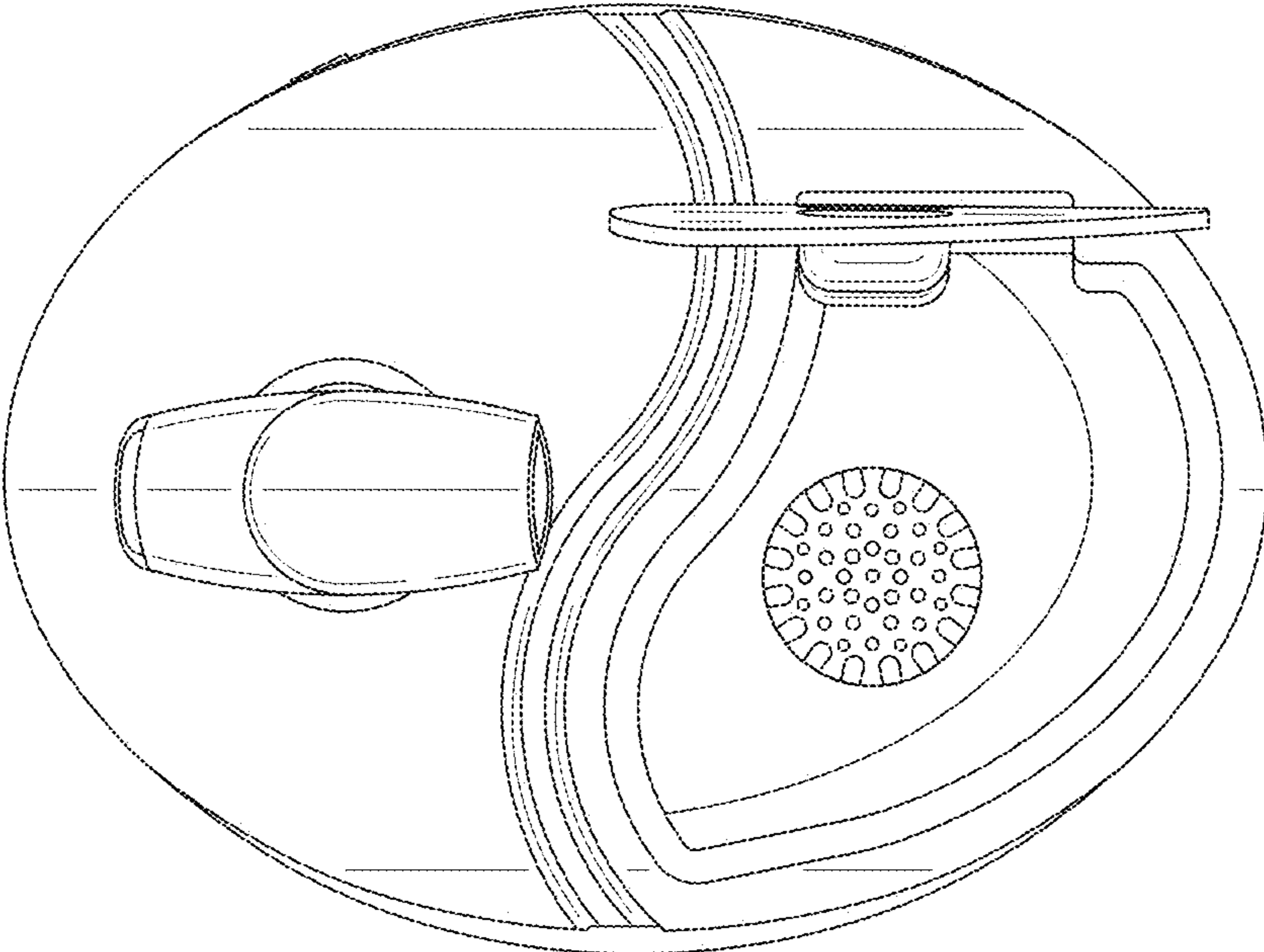


FIG. 13

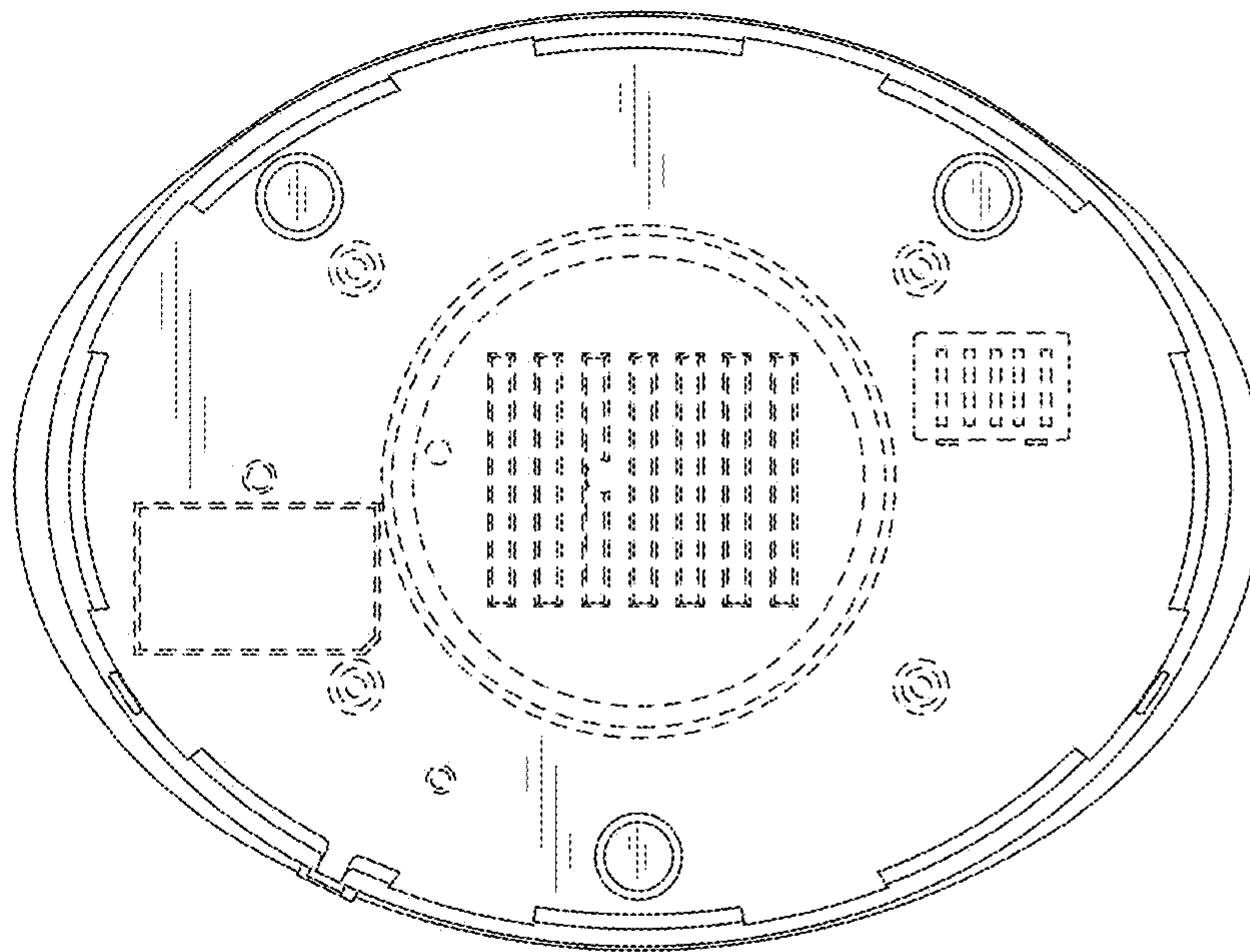


FIG. 14

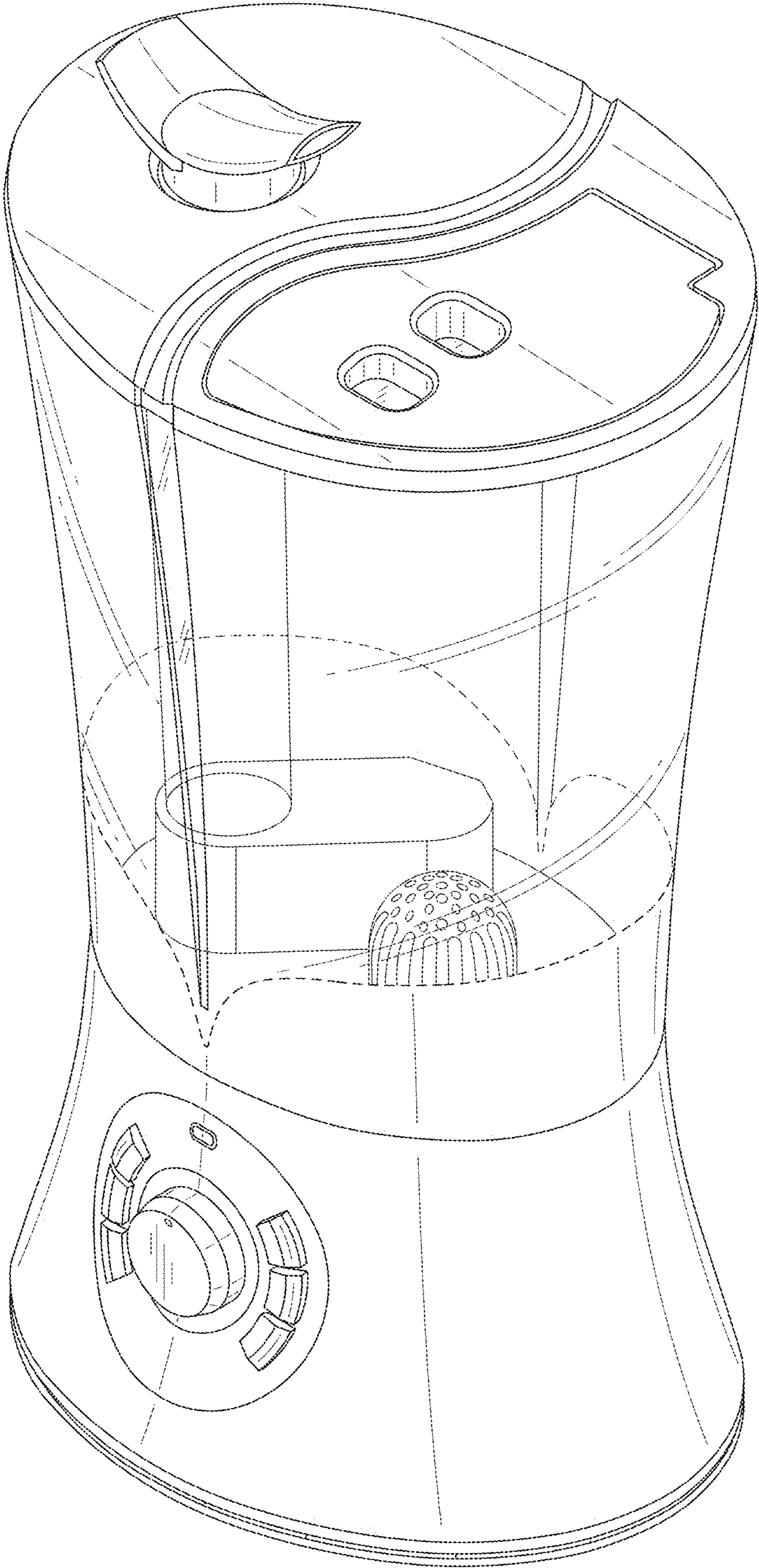


FIG. 15

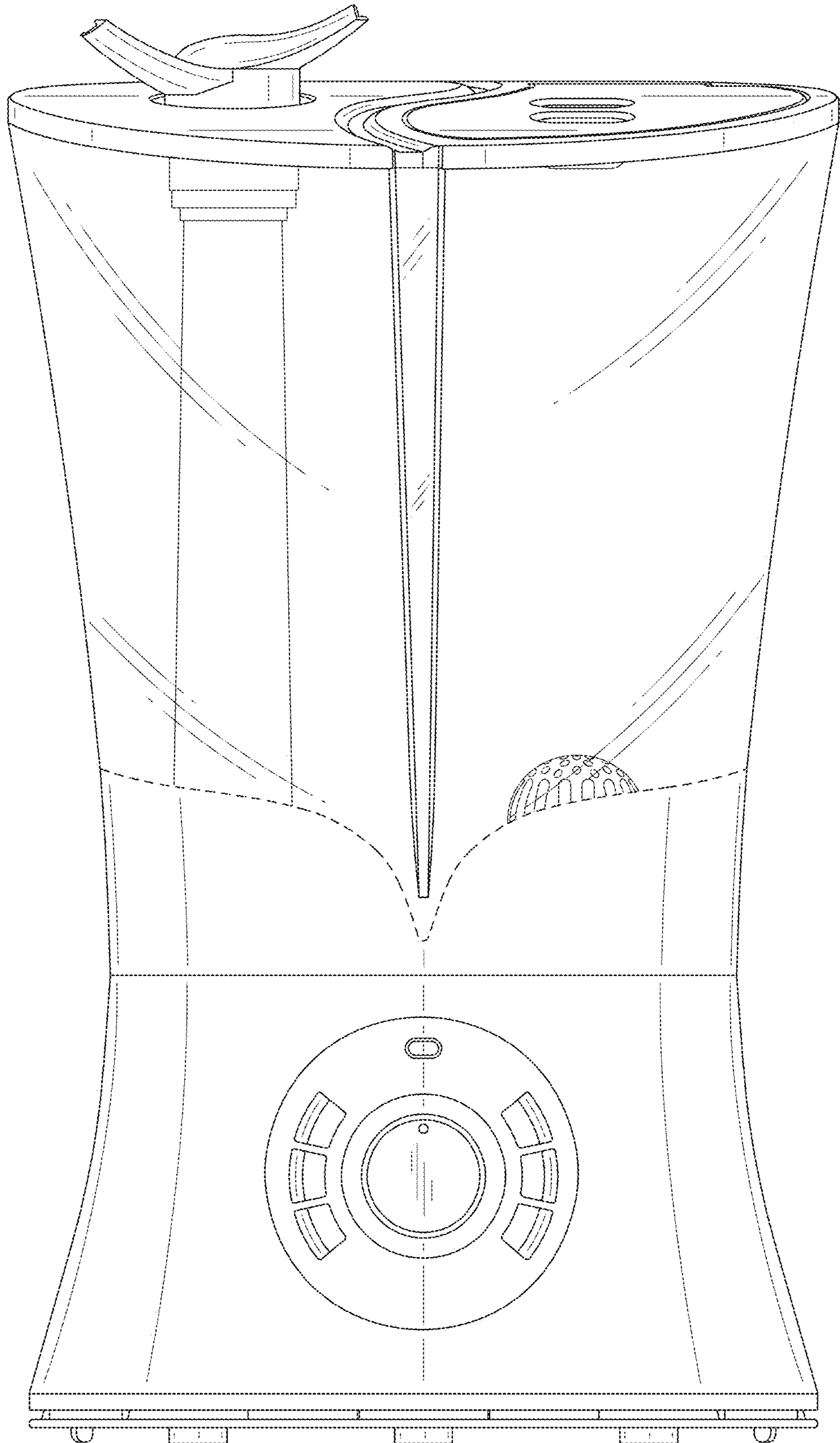


FIG. 16

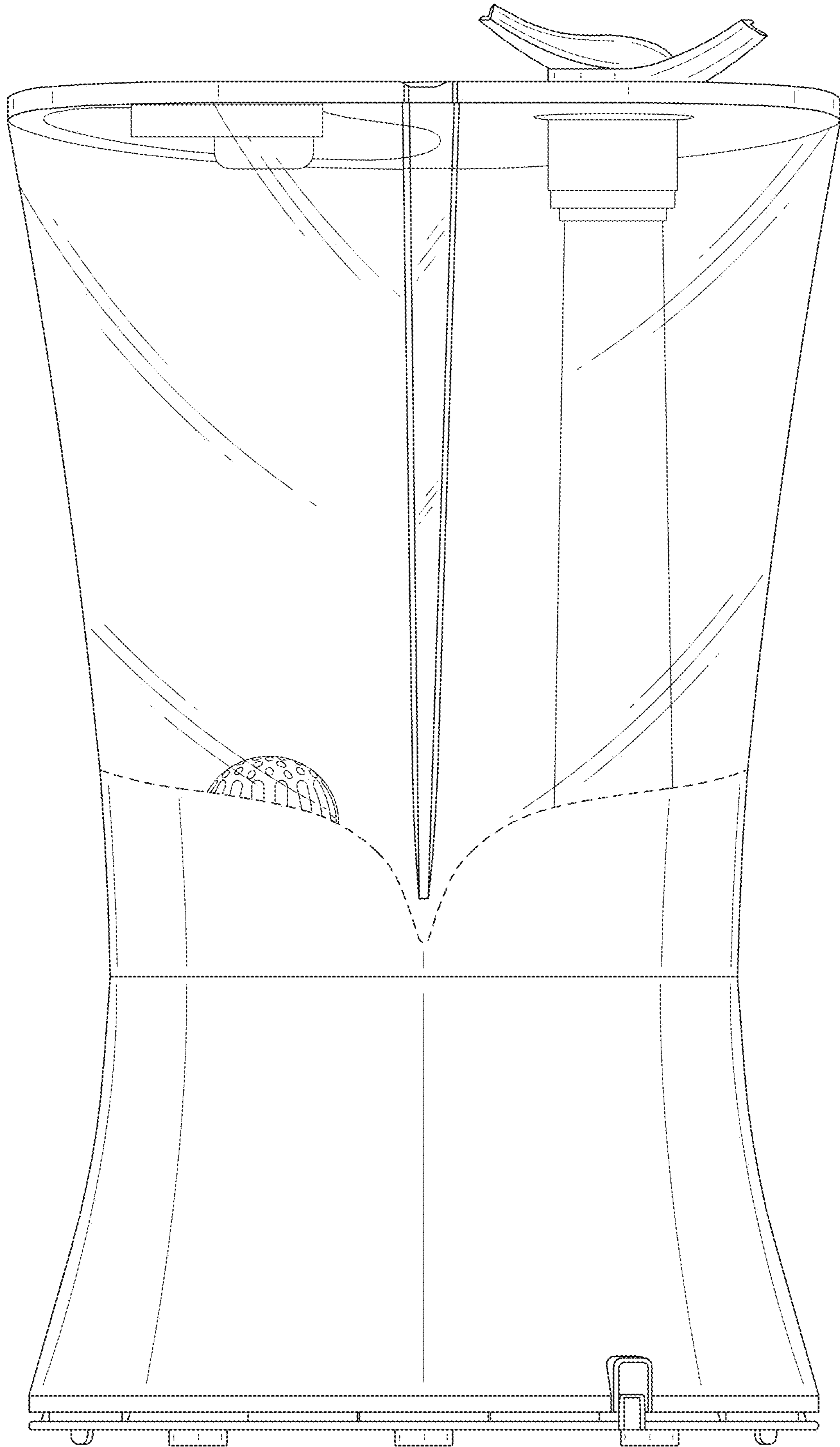


FIG. 17

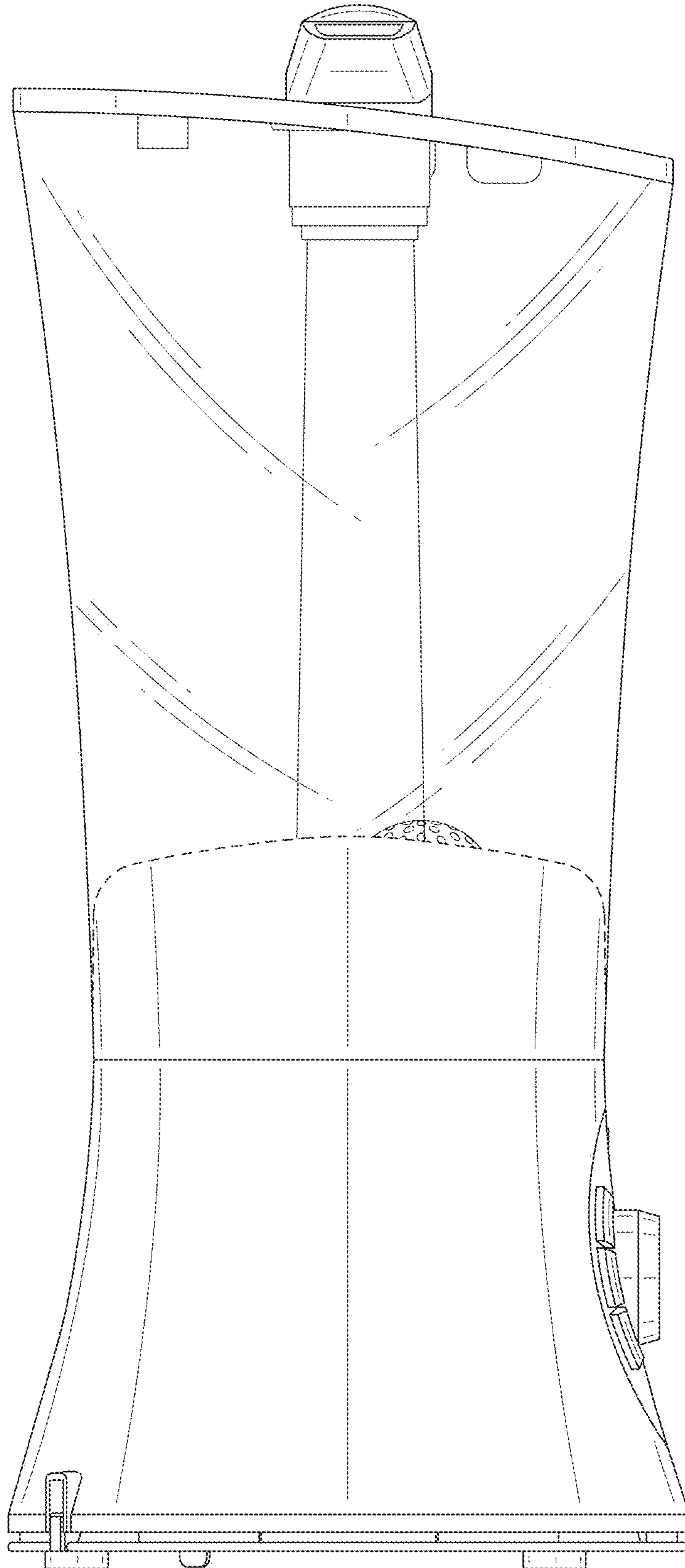


FIG. 18

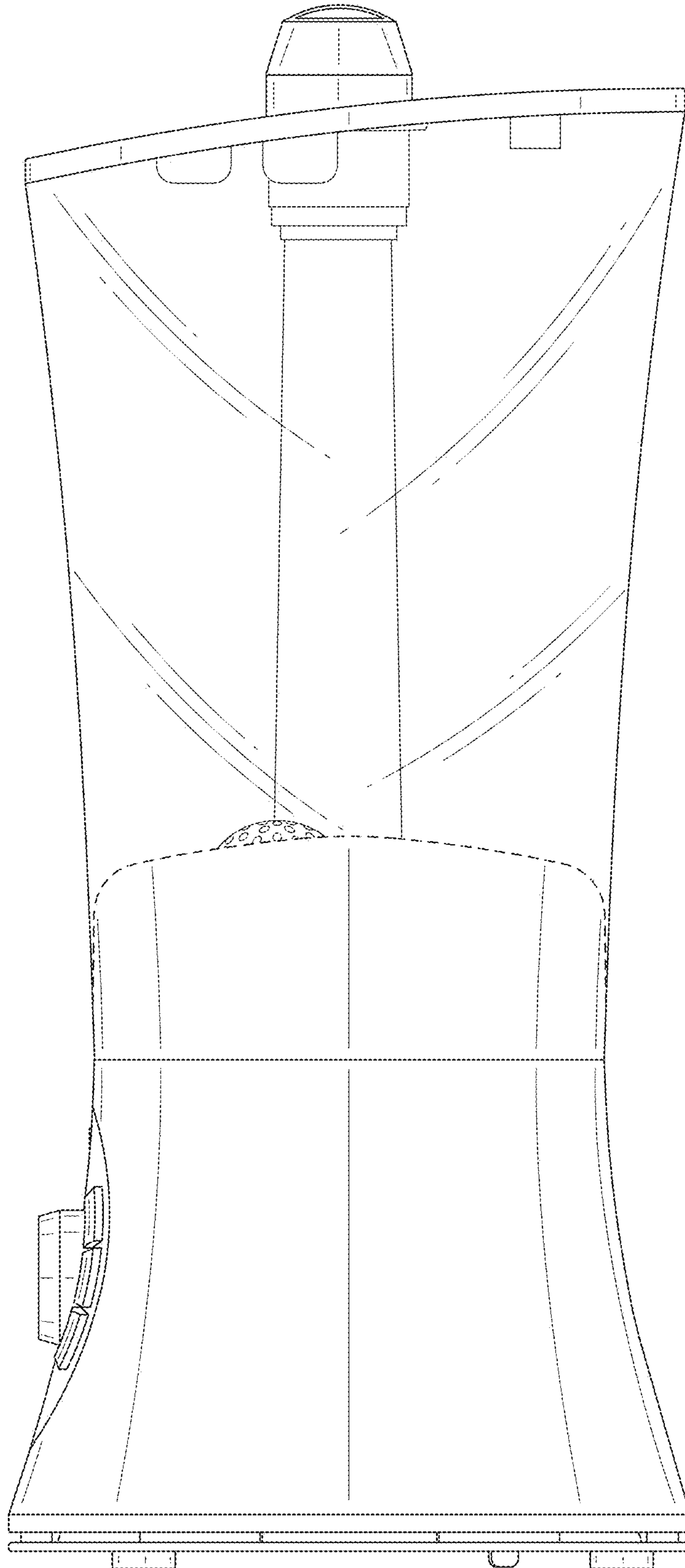


FIG. 19

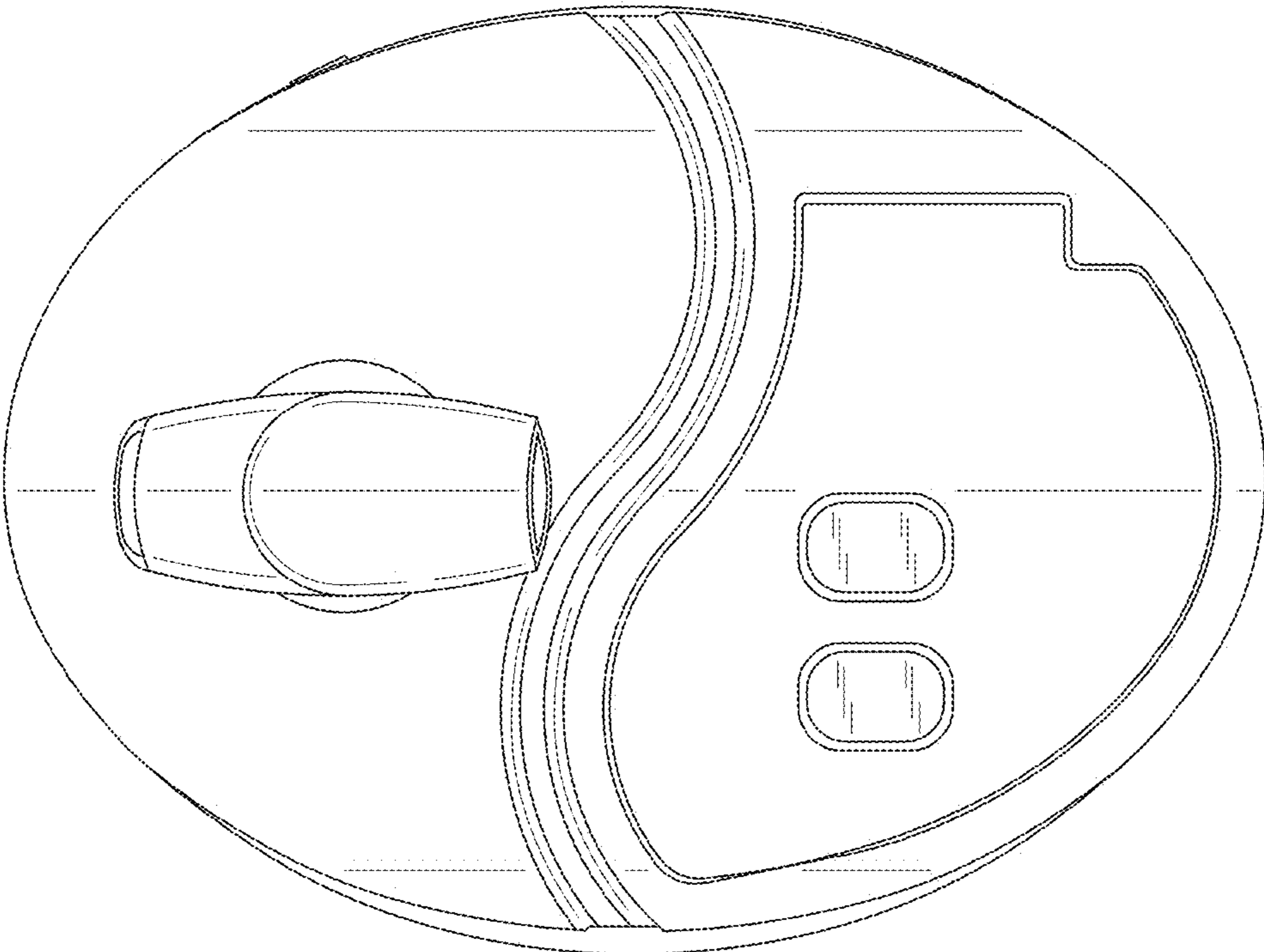


FIG. 20

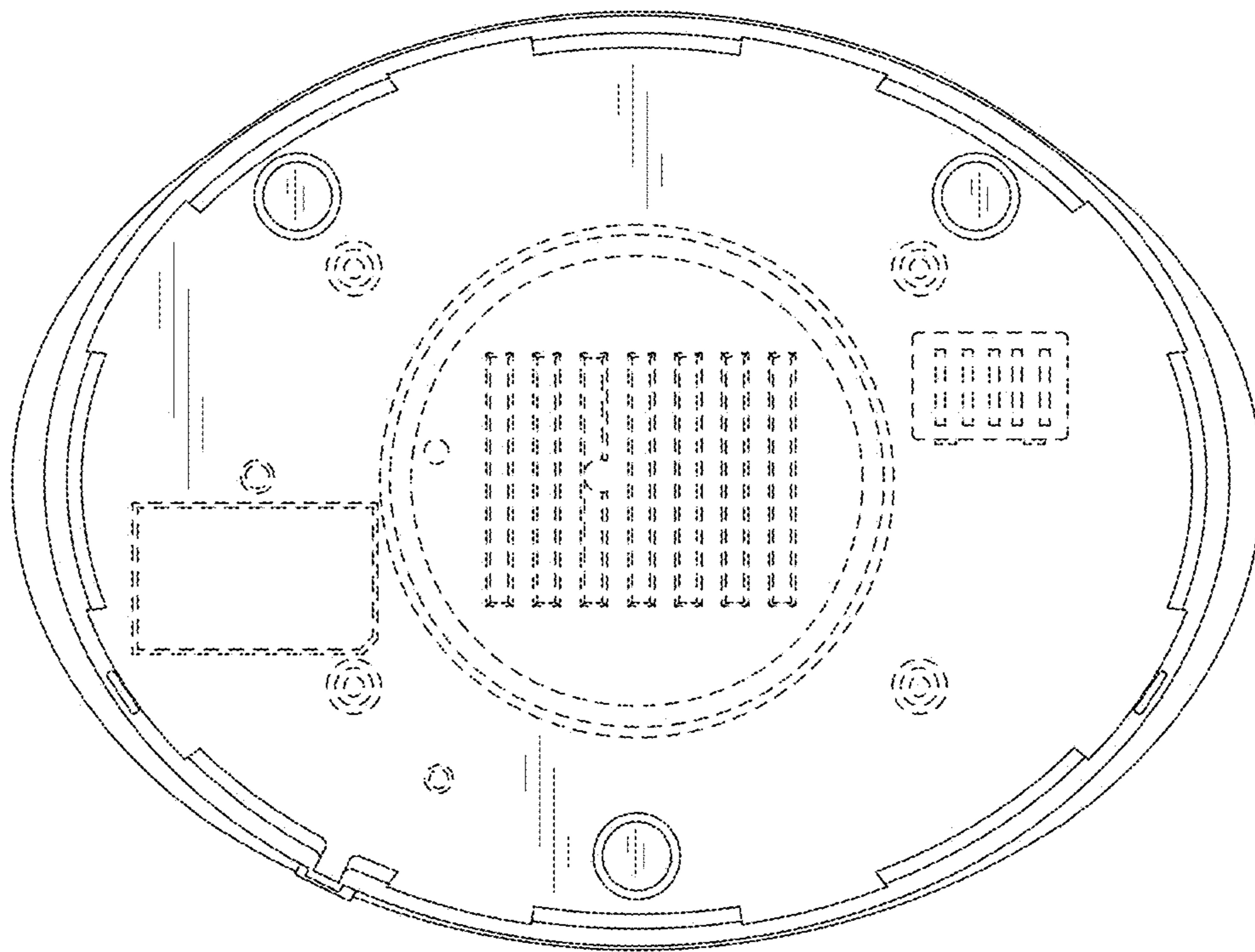


FIG. 21

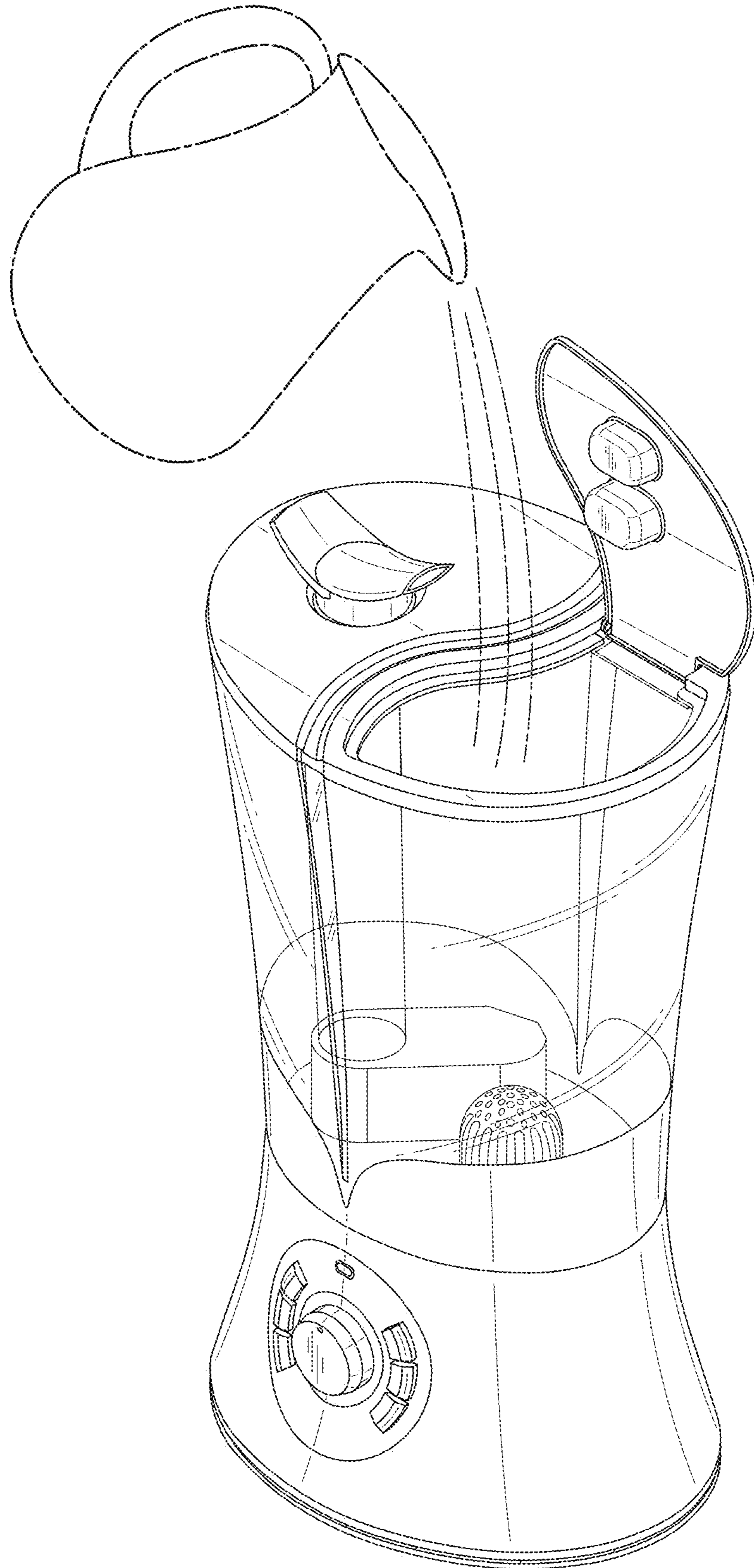


FIG. 22