



US00D870868S

(12) **United States Design Patent** (10) **Patent No.:** **US D870,868 S**
Hayden et al. (45) **Date of Patent:** **** *Dec. 24, 2019**

(54) **THERMOSTATIC TANKLESS WATER HEATER COVER**

(71) Applicant: **Rheem Manufacturing Company,**
Atlanta, GA (US)

(72) Inventors: **Christopher M. Hayden,** Waterbury, CT (US); **Sergiu G. Mihu,** Waterbury, CT (US); **Eric R. Jurczynszak,** Waterbury, CT (US); **Curtis J. Keohane,** Waterbury, CT (US); **Michael J. Medica,** Waterbury, CT (US)

(73) Assignee: **Rheem Manufacturing Company,**
Atlanta, GA (US)

(*) Notice: This patent is subject to a terminal disclaimer.

(**) Term: **15 Years**

(21) Appl. No.: **29/650,453**

(22) Filed: **Jun. 6, 2018**

(51) **LOC (12) Cl.** **23-03**

(52) **U.S. Cl.**
USPC **D23/322**

(58) **Field of Classification Search**
USPC D23/318, 319, 320, 321, 322, 314, 317, D23/329, 330, 342; D13/184
CPC F24H 9/06; F24H 9/2035; F24H 1/125; F24H 1/145; F24H 1/186; F24H 9/124; F24H 9/2078; F24H 9/2007; F24H 1/08; F24H 1/10; F24H 1/12; F24H 1/18; F24H 1/22; F24H 1/50; F24H 1/182
See application file for complete search history.

(56) **References Cited**

U.S. PATENT DOCUMENTS

5,346,126 A * 9/1994 Lai F23L 13/06
126/285 R
D356,861 S * 3/1995 Busalt D23/318

D532,497 S * 11/2006 Engel D23/318
D618,326 S * 6/2010 Galjaardt D23/322
D715,906 S * 10/2014 Christen D23/319
D825,724 S * 8/2018 Humphrey D23/318
D844,123 S * 3/2019 Schumann D23/318
2004/0112971 A1* 6/2004 Rolph F24H 9/02
236/25 R
2013/0214052 A1* 8/2013 Yang F24H 9/2028
236/20 R
2014/0014312 A1* 1/2014 Chu F24H 9/2007
165/267
2016/0178234 A1* 6/2016 Hayden F24H 1/0018
392/486
2017/0248343 A1* 8/2017 Hou F24H 1/182
2019/0162443 A1* 5/2019 Stegemeyer F24H 3/0488

* cited by examiner

Primary Examiner — T Chase Nelson

Assistant Examiner — Ania Aman

(74) *Attorney, Agent, or Firm* — King & Spalding LLP

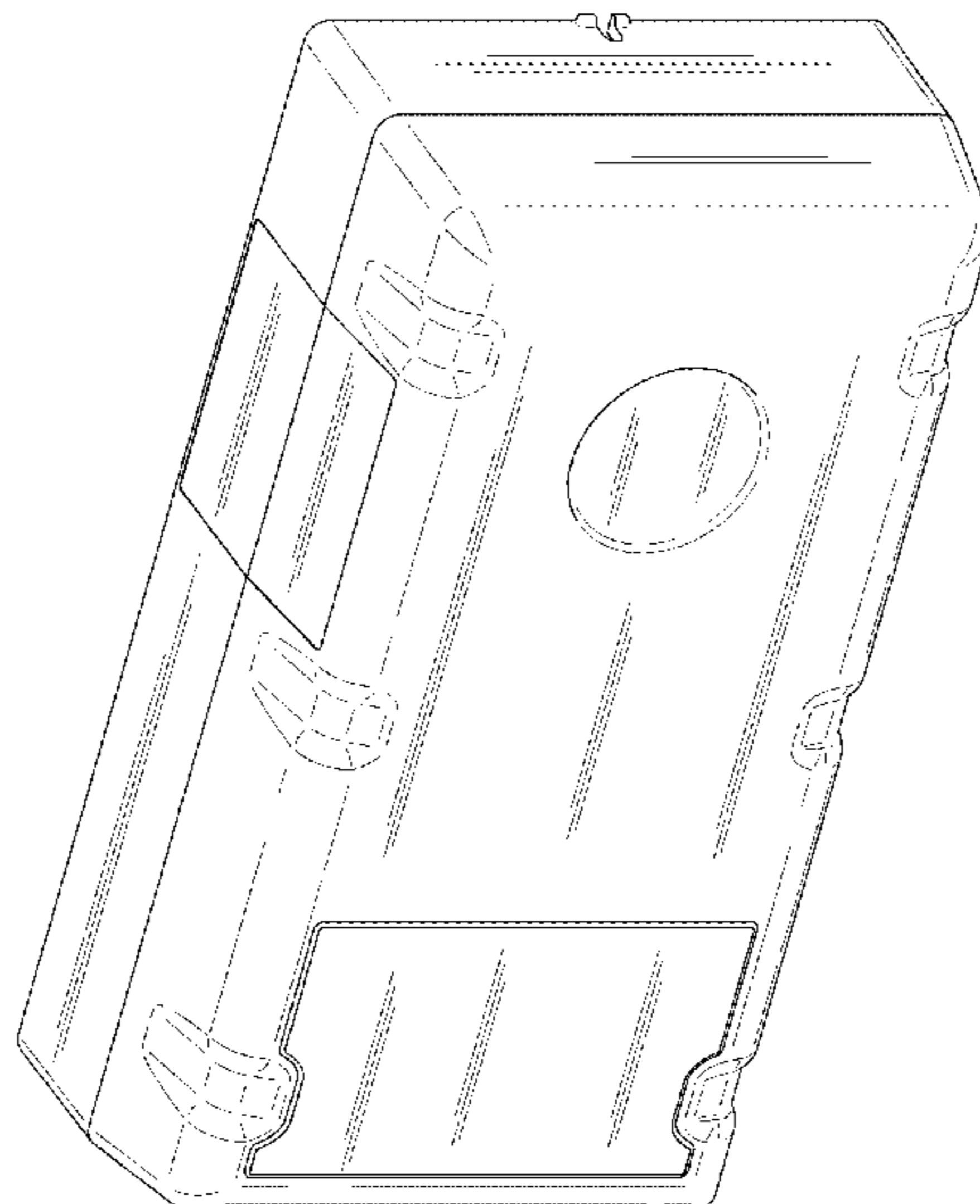
(57) **CLAIM**

The ornamental design for a thermostatic tankless water heater cover, as shown and described.

DESCRIPTION

FIG. 1 is a top front perspective view of our new design for a thermostatic tankless water heater cover;
FIG. 2 is a bottom back perspective view thereof;
FIG. 3 is a left elevation view thereof;
FIG. 4 is a right elevation view thereof;
FIG. 5 is a front elevation view thereof;
FIG. 6 is a back elevation view thereof;
FIG. 7 is a top plan view thereof; and,
FIG. 8 is a bottom view thereof.

1 Claim, 6 Drawing Sheets



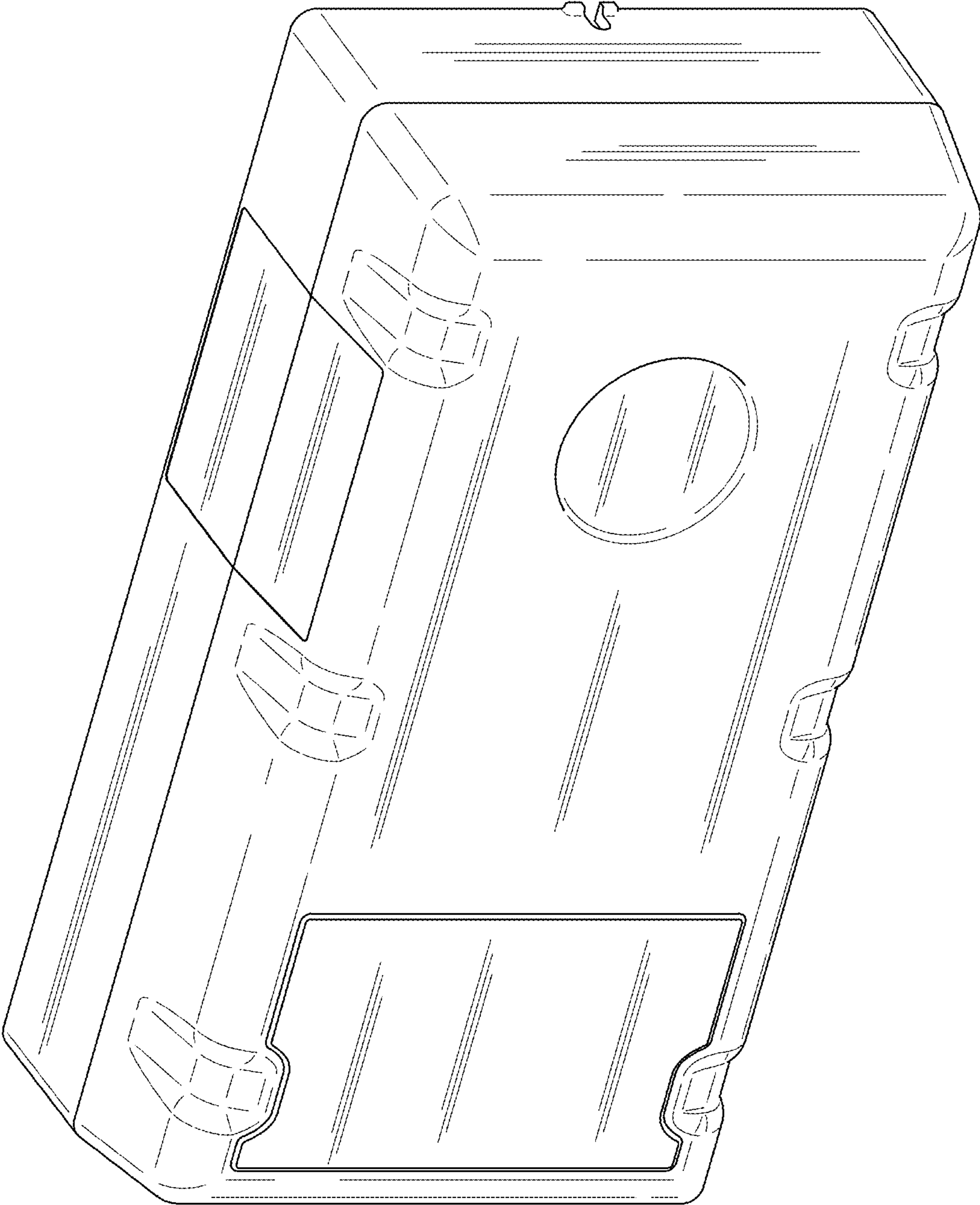


FIG. 1

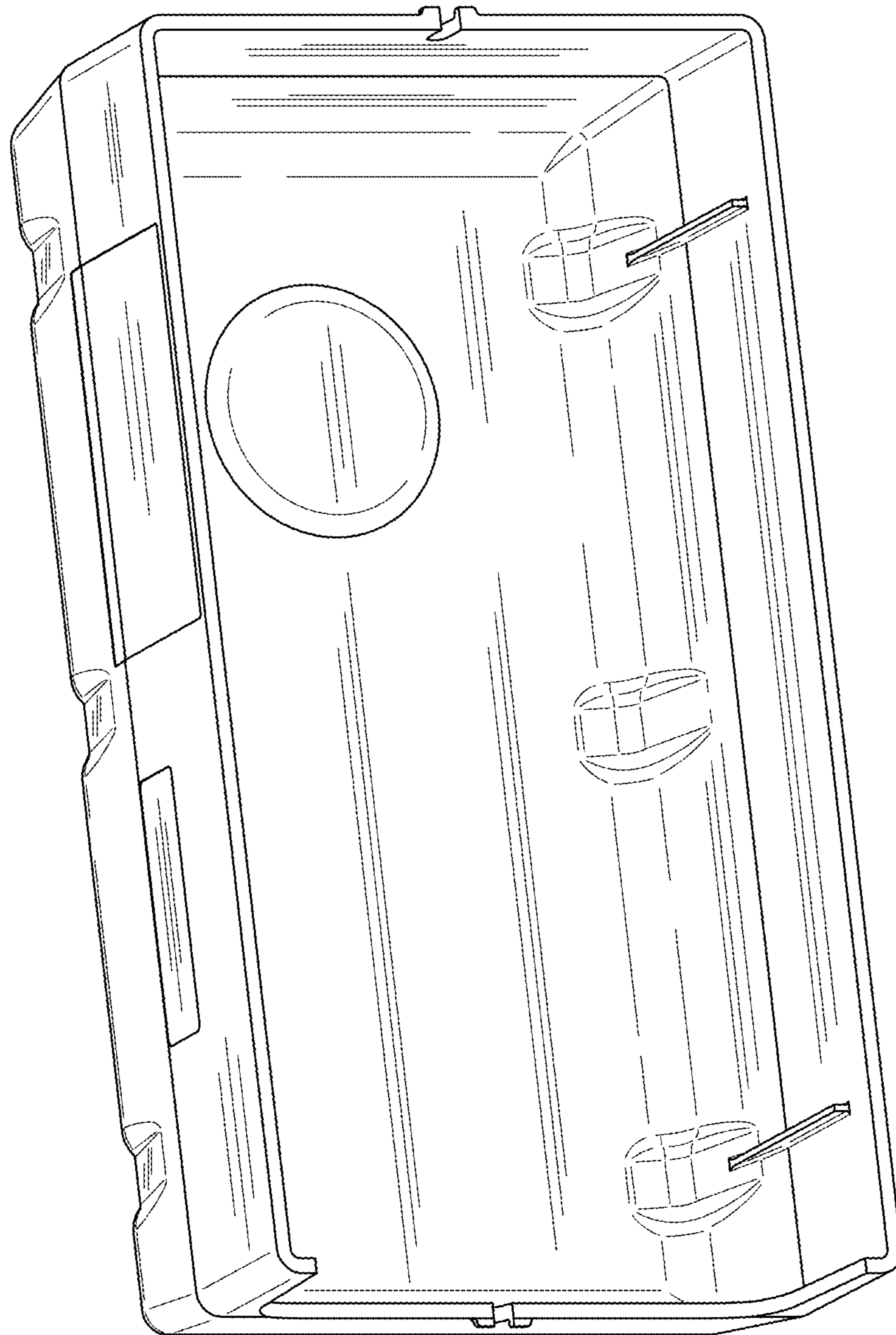


FIG.2

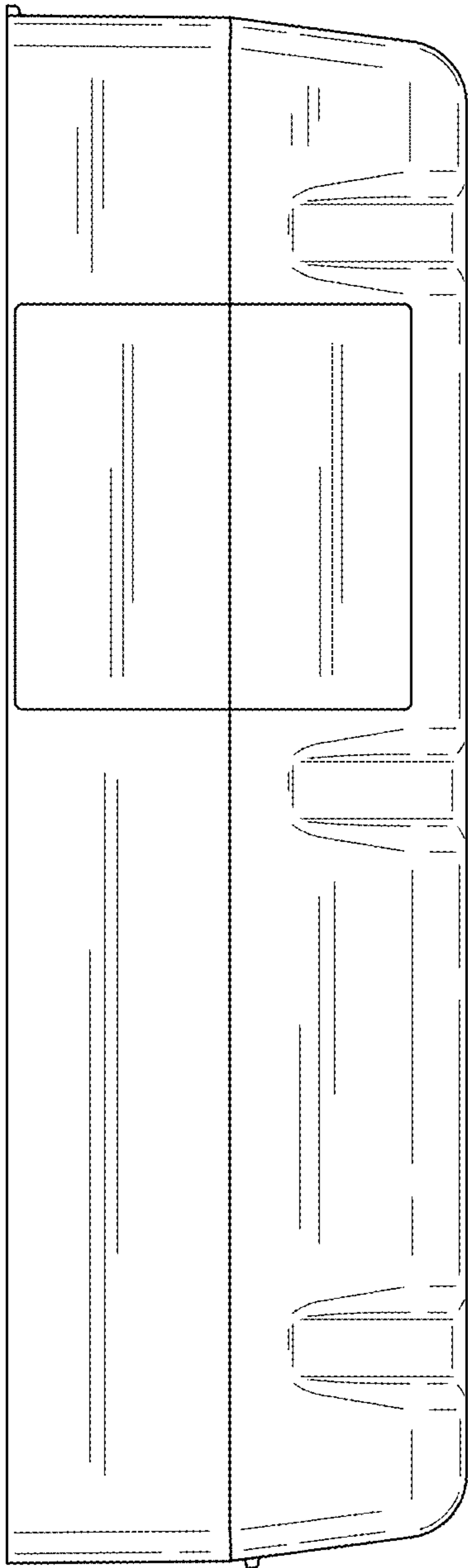


FIG. 3

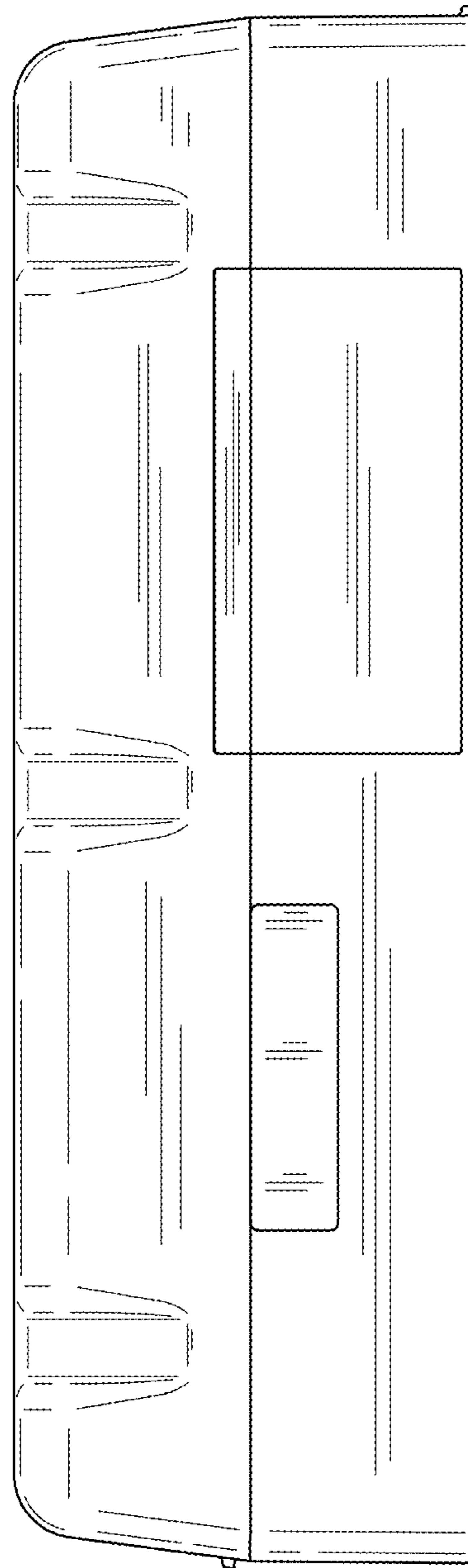


FIG. 4

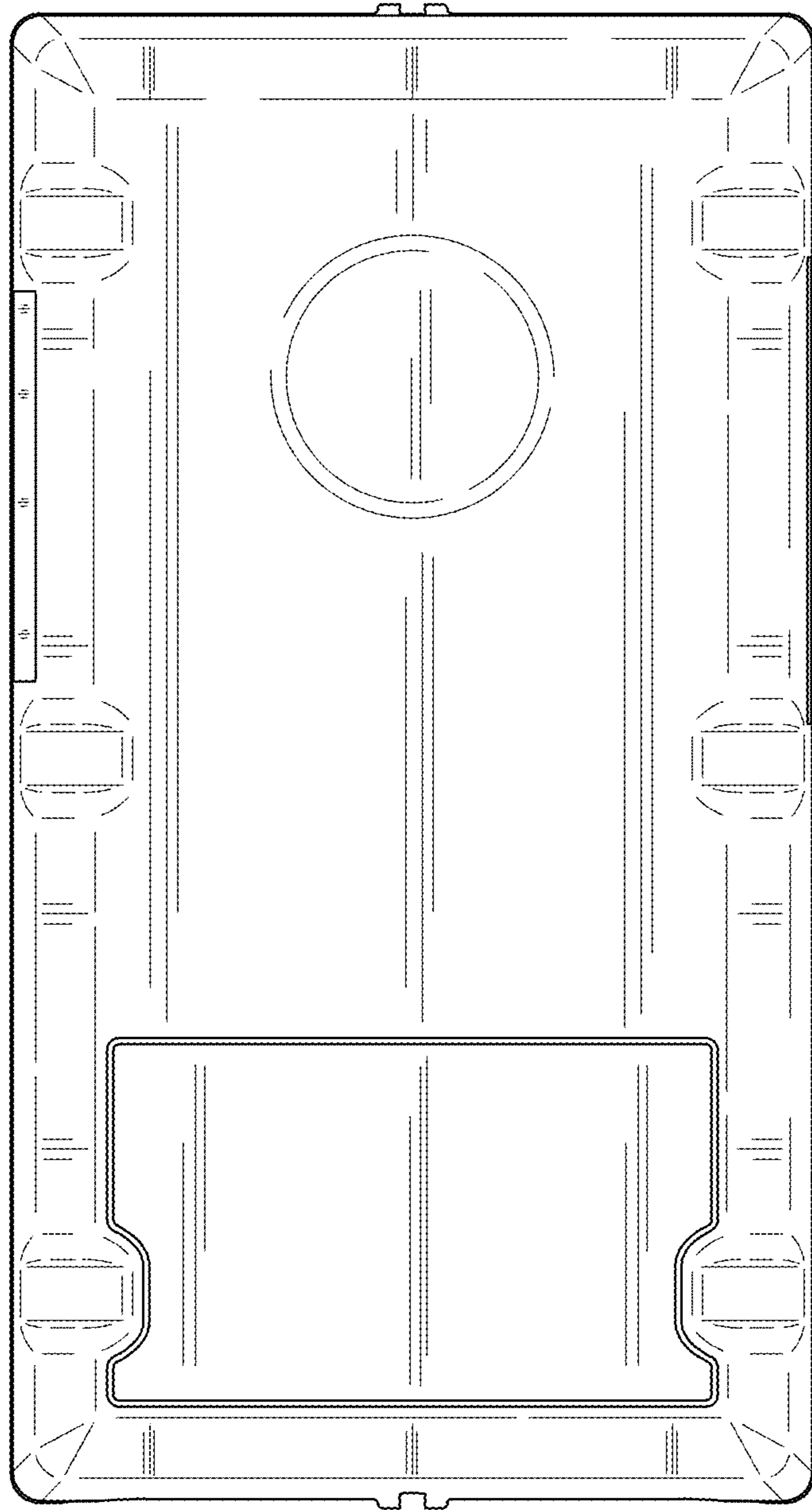


FIG.5

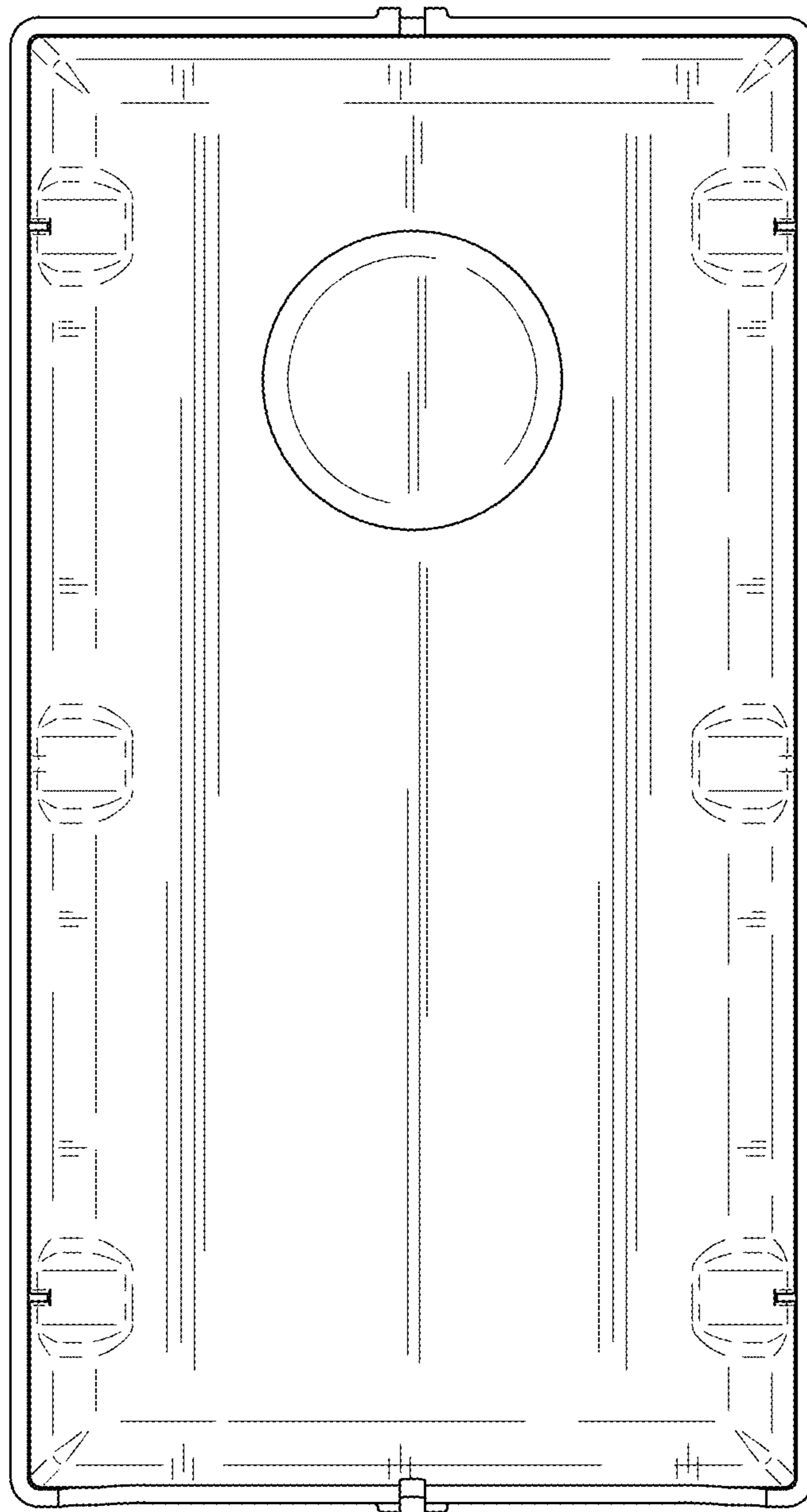


FIG. 6

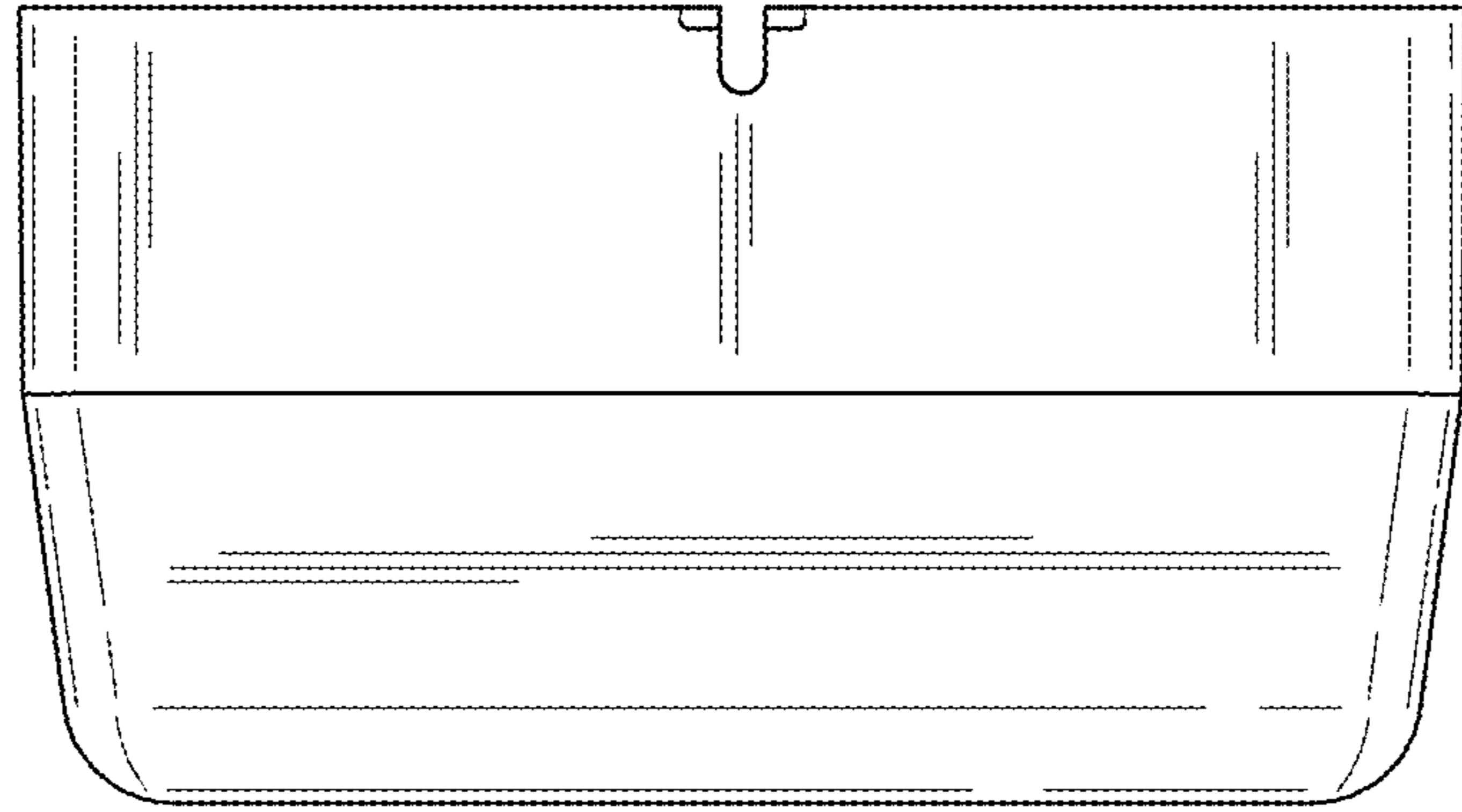


FIG. 7

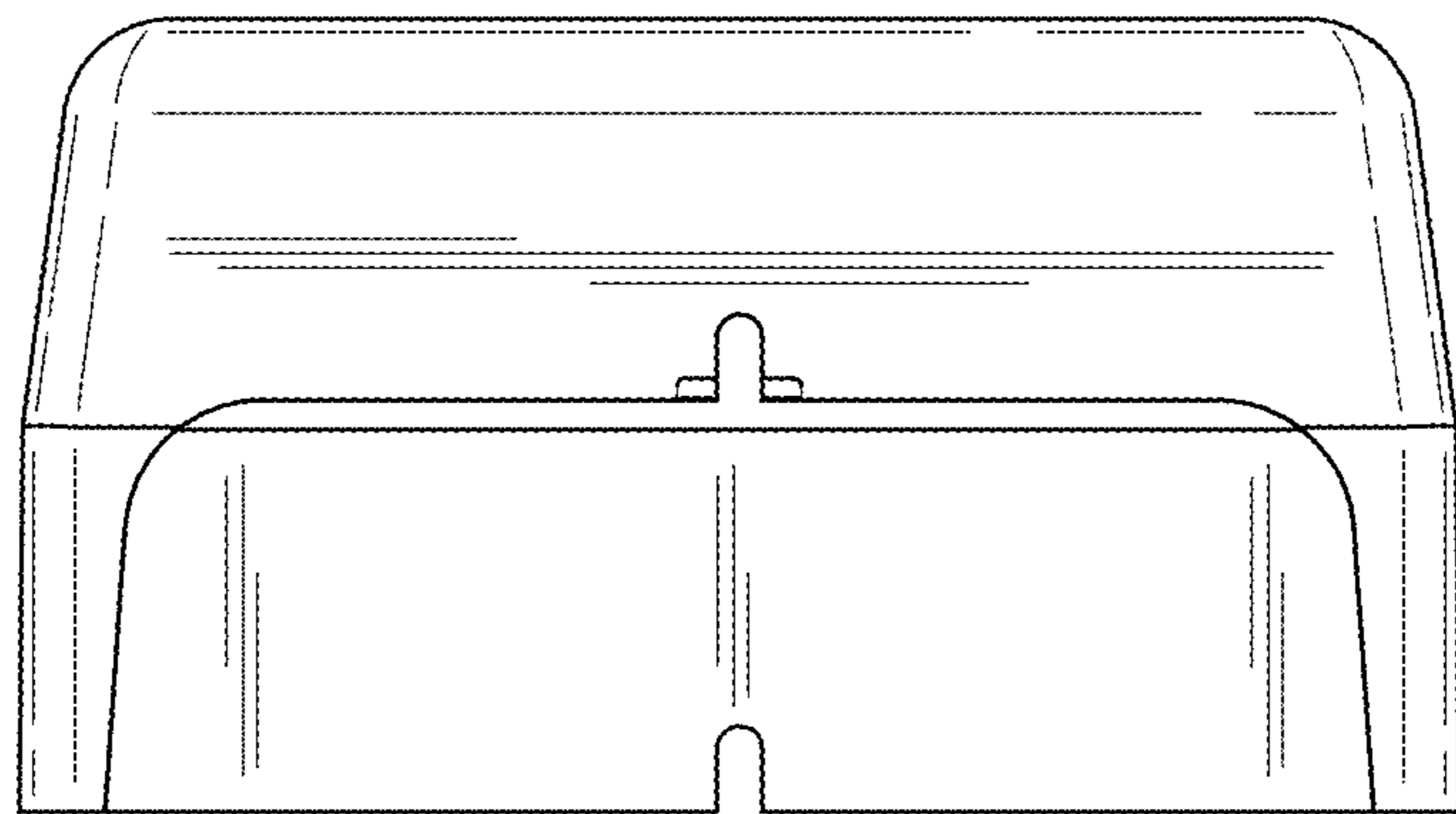


FIG. 8