



US00D870867S

(12) **United States Design Patent** (10) **Patent No.:** **US D870,867 S**
Xing et al. (45) **Date of Patent:** **** Dec. 24, 2019**

(54) **SMART TOILET LID**
(71) Applicant: **BEIJING XIAOMI MOBILE SOFTWARE CO., LTD.**, Beijing (CN)
(72) Inventors: **Zheng Xing**, Beijing (CN); **Ningning Li**, Beijing (CN); **Lei Zhang**, Beijing (CN); **Jian Wang**, Beijing (CN); **Ze Chen**, Beijing (CN); **Lei Liu**, Beijing (CN)
(73) Assignee: **BEIJING XIAOMI MOBILE SOFTWARE CO., LTD.**, Beijing (CN)

D704,317 S * 5/2014 Shinozaki D23/311
D739,926 S * 9/2015 Inomoto D23/311
D786,412 S * 5/2017 Jeong D23/311
D841,137 S * 2/2019 Seo D23/311
D844,120 S * 3/2019 Nakabayashi D23/311

* cited by examiner

Primary Examiner — Khawaja Anwar
(74) *Attorney, Agent, or Firm* — Amster, Rothstein & Ebenstein LLP

(**) Term: **15 Years**

(21) Appl. No.: **35/506,268**

(22) Filed: **Jun. 27, 2018**

(80) **Hague Agreement Data**

Int. Filing Date: **Jun. 27, 2018**
Int. Reg. No.: **DM/103697**
Int. Reg. Date: **Jun. 27, 2018**
Int. Reg. Pub. Date: **Dec. 28, 2018**

(30) **Foreign Application Priority Data**

Dec. 27, 2017 (CN) 2017 3 0674930

(51) **LOC (12) Cl.** **23-02**

(52) **U.S. Cl.**
USPC **D23/311**

(58) **Field of Classification Search**
USPC D23/303, 311, 312
CPC A47K 13/00; A47K 13/02; A47K 13/24; A47K 13/26
See application file for complete search history.

(56) **References Cited**

U.S. PATENT DOCUMENTS

8,024,821 B2 * 9/2011 Chen A47K 13/26
4/236
D692,541 S * 10/2013 Hosoi D23/311

(57) **CLAIM**

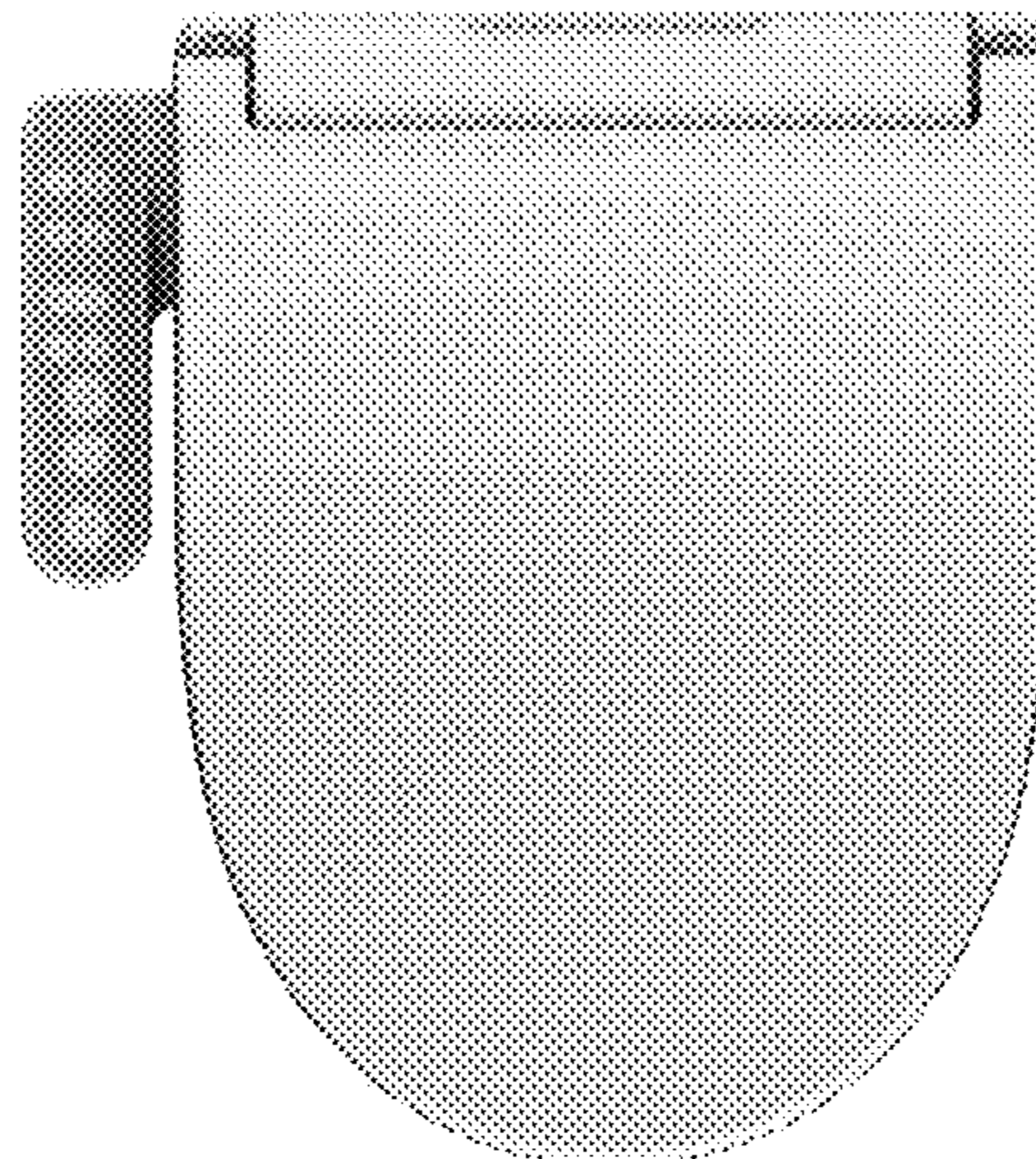
The ornamental design for smart toilet lid, as shown and described.

DESCRIPTION

- 1.-2. Smart toilet lid
- 1.1 : Front
- 1.2 : Back
- 1.3 : Left
- 1.4 : Right
- 1.5 : Top
- 1.6 : Bottom
- 1.7 : Perspective
- 2.1 : Perspective
- 2.2 : Unfolded

1.1 is a front elevation view of a first embodiment of a smart toilet lid; 1.2 is a rear elevation view thereof; 1.3 is a left side elevation view thereof; 1.4 is a right side elevation view thereof; 1.5 is a top plan view thereof; 1.6 is a bottom plan view thereof; 1.7 is a perspective view thereof; 2.1 is a perspective view of a second embodiment of a smart toilet lid showing our new design; and 2.2 is a use state view thereof.

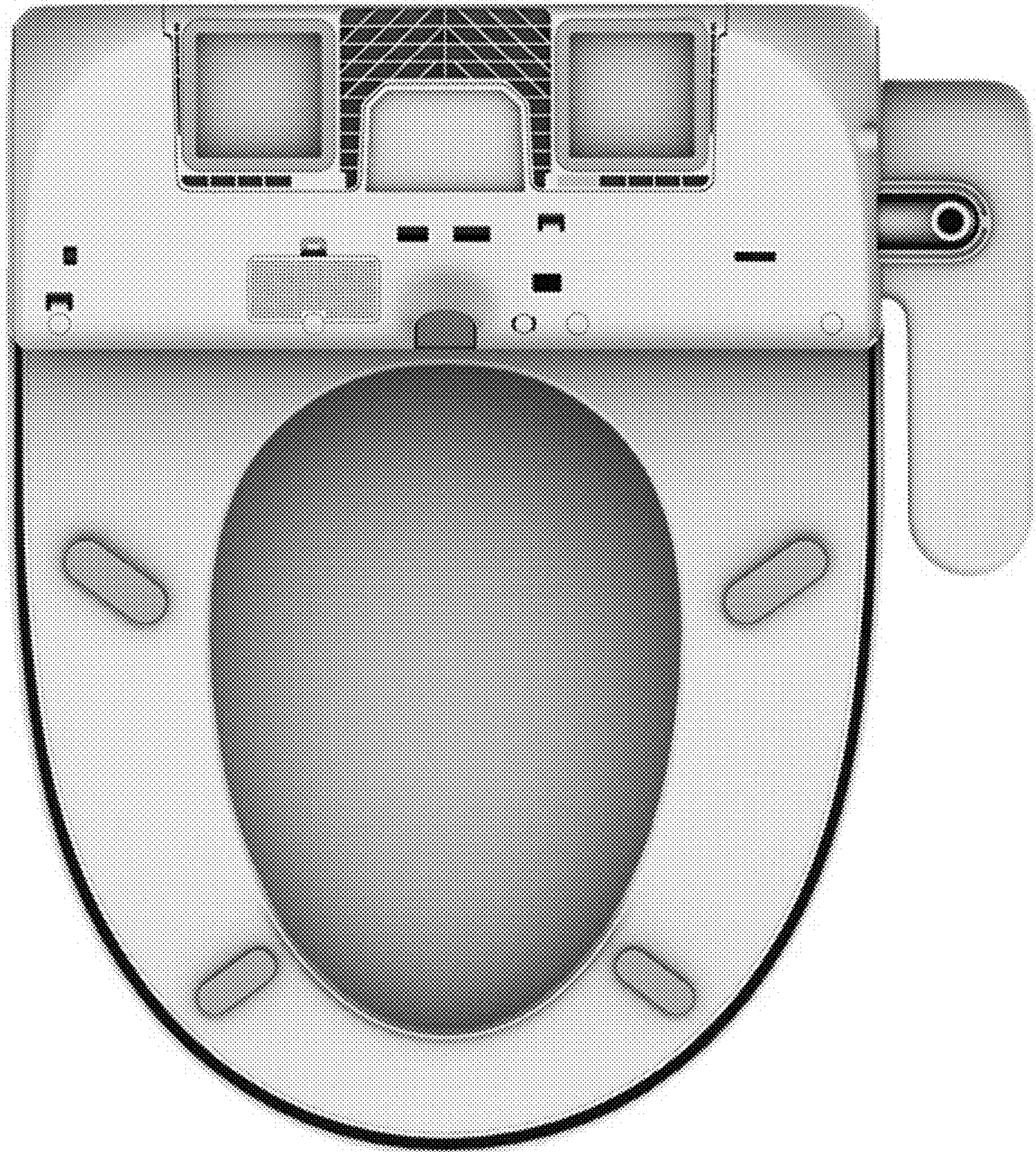
1 Claim, 9 Drawing Sheets



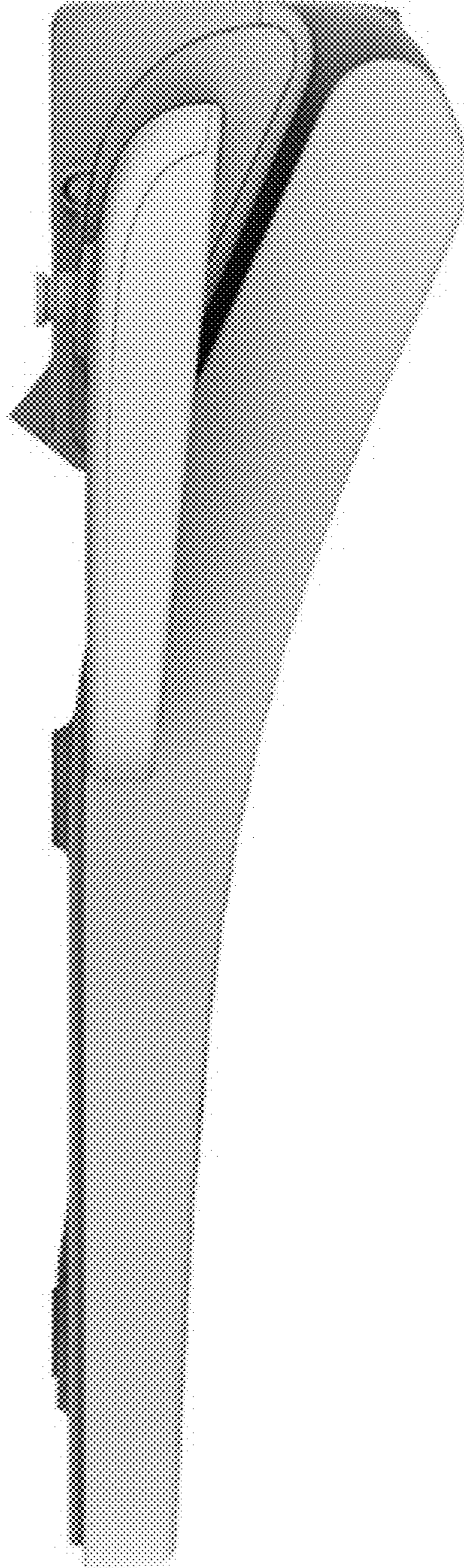
1.1



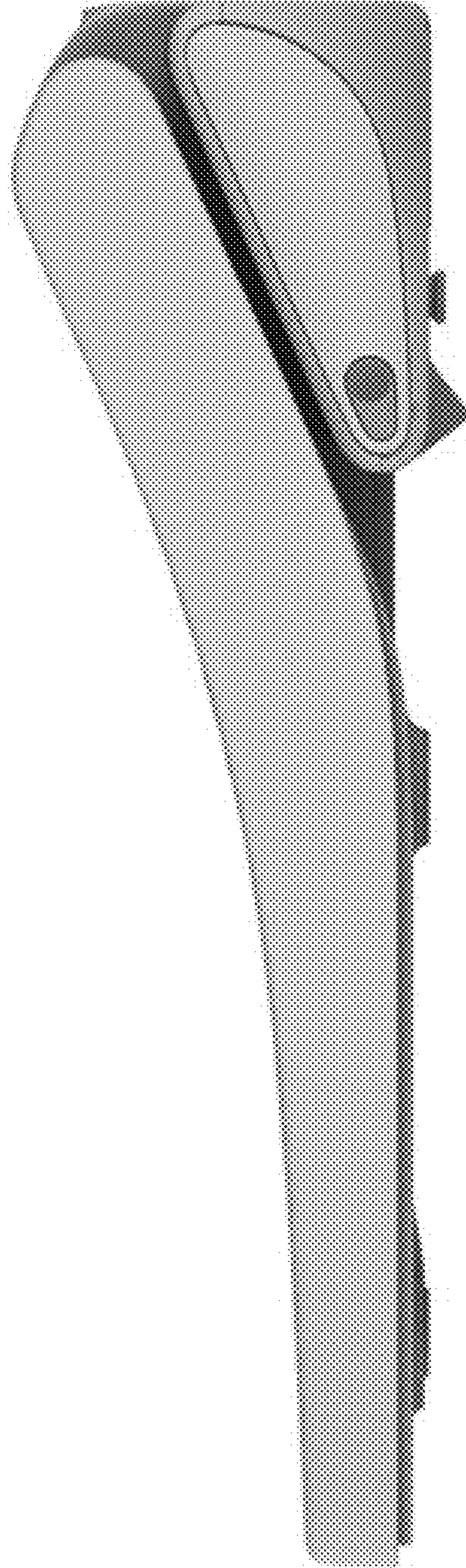
1.2



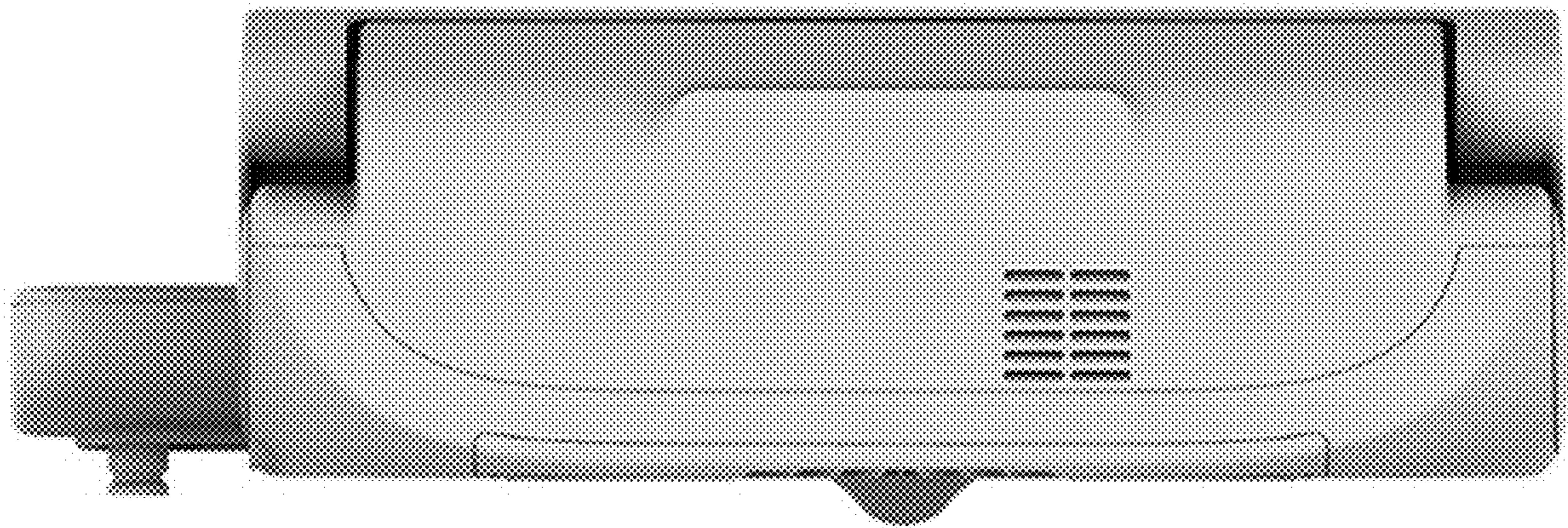
1.3



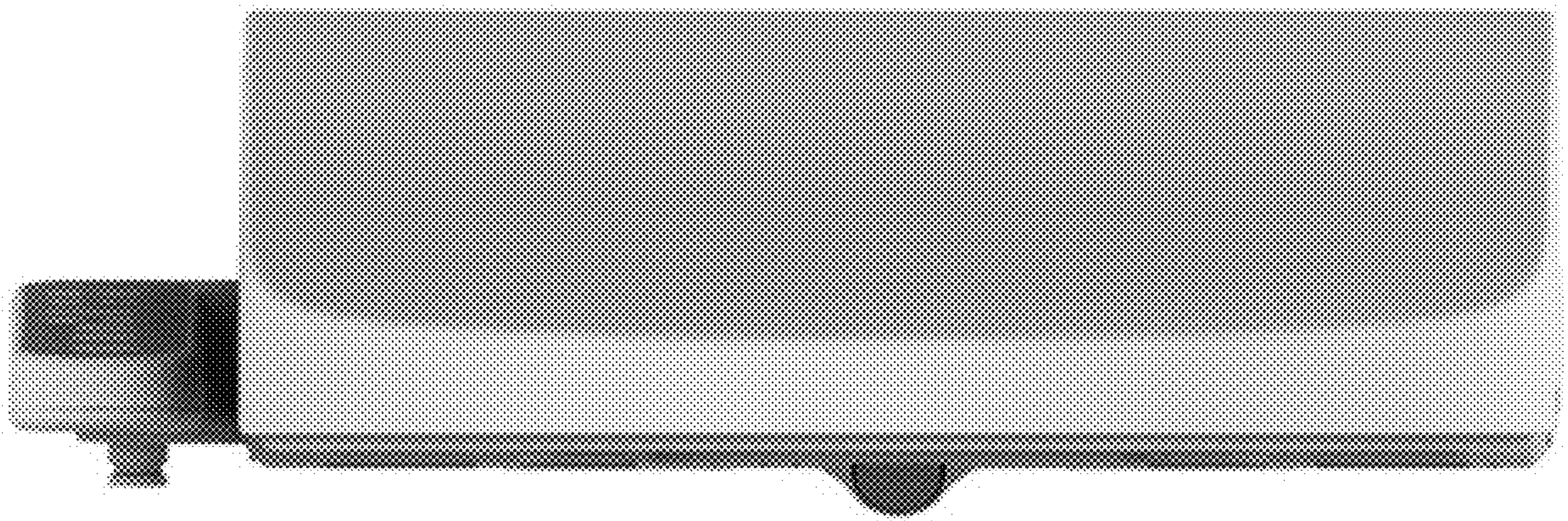
1.4



1.5



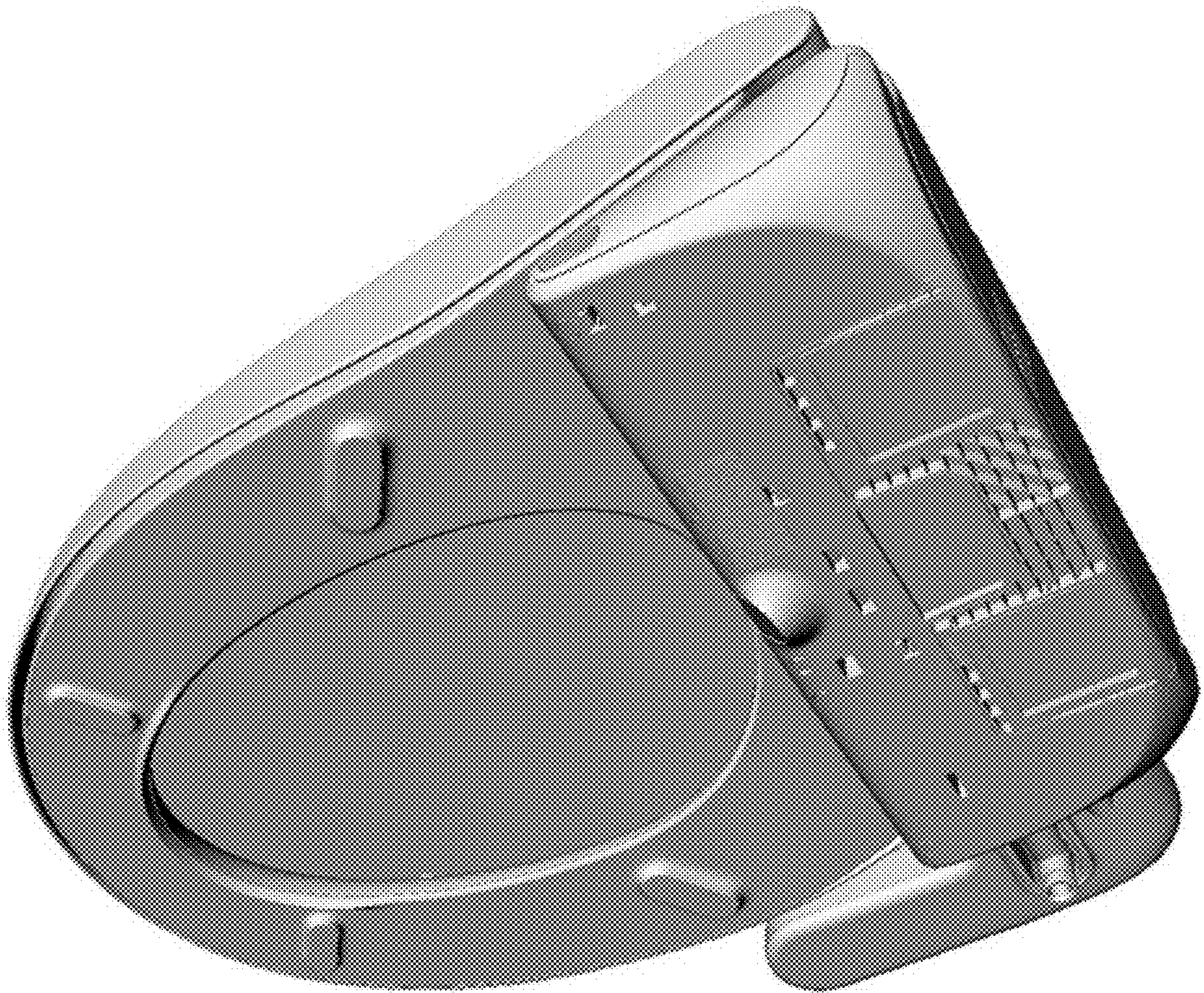
1.6



1.7



2.1



2.2

