



US00D870866S

(12) **United States Design Patent** (10) **Patent No.:** **US D870,866 S**  
**Nakashima et al.** (45) **Date of Patent:** **\*\* Dec. 24, 2019**

(54) **LAVATORY PAN**

(71) Applicant: **LIXIL Corporation**, Tokyo (JP)

(72) Inventors: **Hidehiro Nakashima**, Tokyo (JP);  
**Daisuke Matsumoto**, Bangkok (TH)

(73) Assignee: **LIXIL CORPORATION**, Tokyo (JP)

(\*\*) Term: **15 Years**

(21) Appl. No.: **29/667,638**

(22) Filed: **Oct. 23, 2018**

(30) **Foreign Application Priority Data**

May 23, 2018 (JP) ..... 2018-011300

(51) **LOC (12) Cl.** ..... **23-02**

(52) **U.S. Cl.**  
USPC ..... **D23/301**

(58) **Field of Classification Search**  
USPC ..... D23/295, 301, 309, 313  
CPC .. E03D 1/00; E03D 1/01; E03D 1/012; E03D  
1/04; E03D 1/06; E03D 1/08; E03D 1/28;  
E03D 1/13; E03D 2201/30; E03D 11/08;  
E03D 11/18; E03D 13/00; D03D 5/10;  
A47K 11/00

See application file for complete search history.

(56) **References Cited**

**U.S. PATENT DOCUMENTS**

D596,720 S \* 7/2009 Cummings ..... D23/295  
D674,066 S \* 1/2013 Iranyi ..... D23/301

D693,910 S \* 11/2013 Bates ..... D23/295  
D811,563 S \* 2/2018 L'Henaff ..... D23/301  
10,081,935 B2 \* 9/2018 Beck ..... E03D 1/012  
10,233,627 B2 \* 3/2019 Luetngen ..... E03D 11/02

\* cited by examiner

*Primary Examiner* — Robert A Delehanty

(74) *Attorney, Agent, or Firm* — Muncy, Geissler, Olds &  
Lowe, P.C.

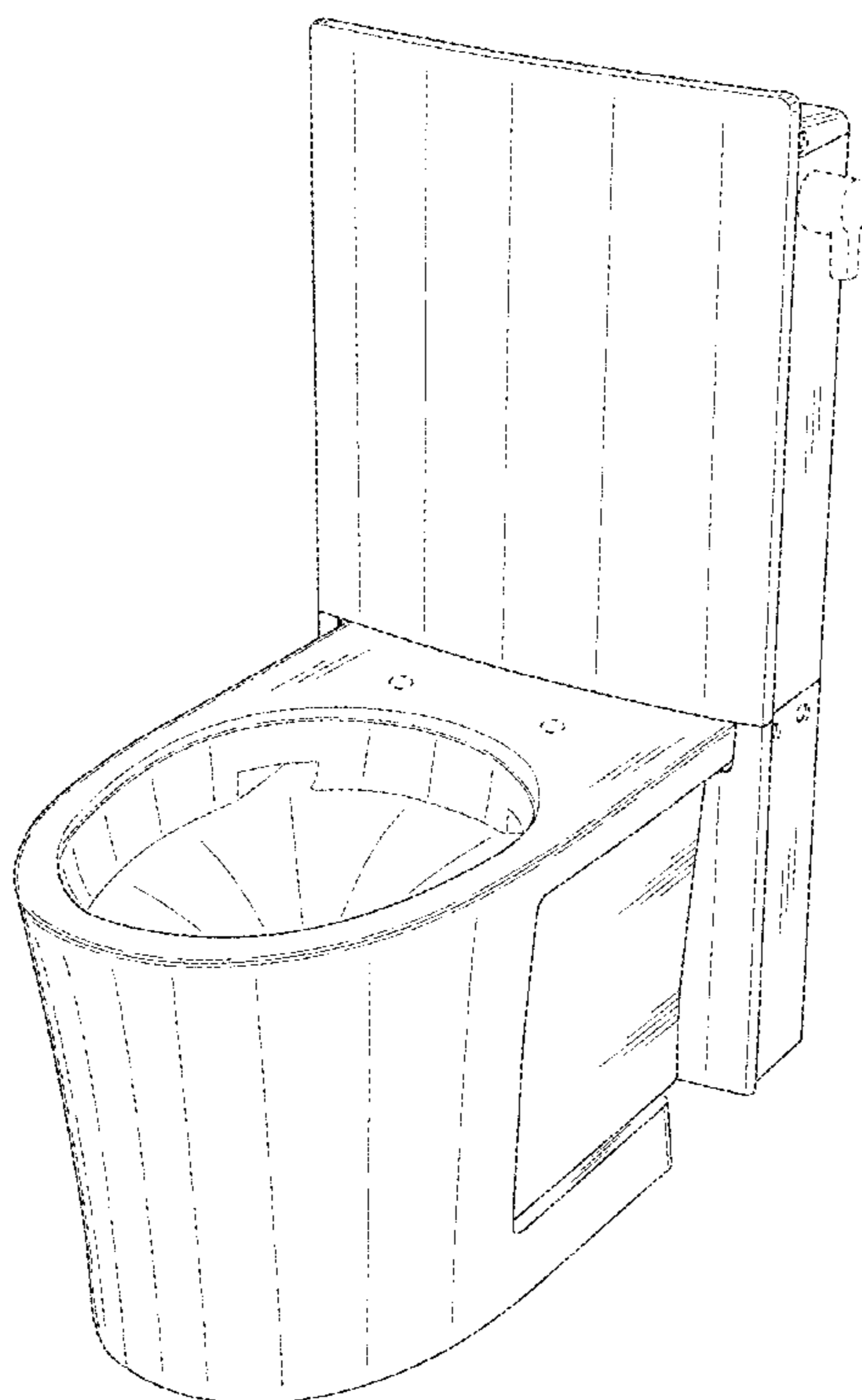
(57) **CLAIM**

The ornamental design for a lavatory pan, as shown and described.

**DESCRIPTION**

FIG. 1 is a perspective view of a lavatory pan showing our new design;  
FIG. 2 is a top plan view thereof;  
FIG. 3 is a bottom plan view thereof;  
FIG. 4 is a front elevational view thereof;  
FIG. 5 is a rear elevational view thereof;  
FIG. 6 is a right side elevational view thereof;  
FIG. 7 is a left side elevational view thereof;  
FIG. 8 is a reference view thereof, showing the lavatory pan in use; and,  
FIG. 9 is a portion of FIG. 4 enlarged for magnification purposes.  
The broken lines illustrate portions of the lavatory pan and environmental structure which form no part of the claimed design.

**1 Claim, 9 Drawing Sheets**



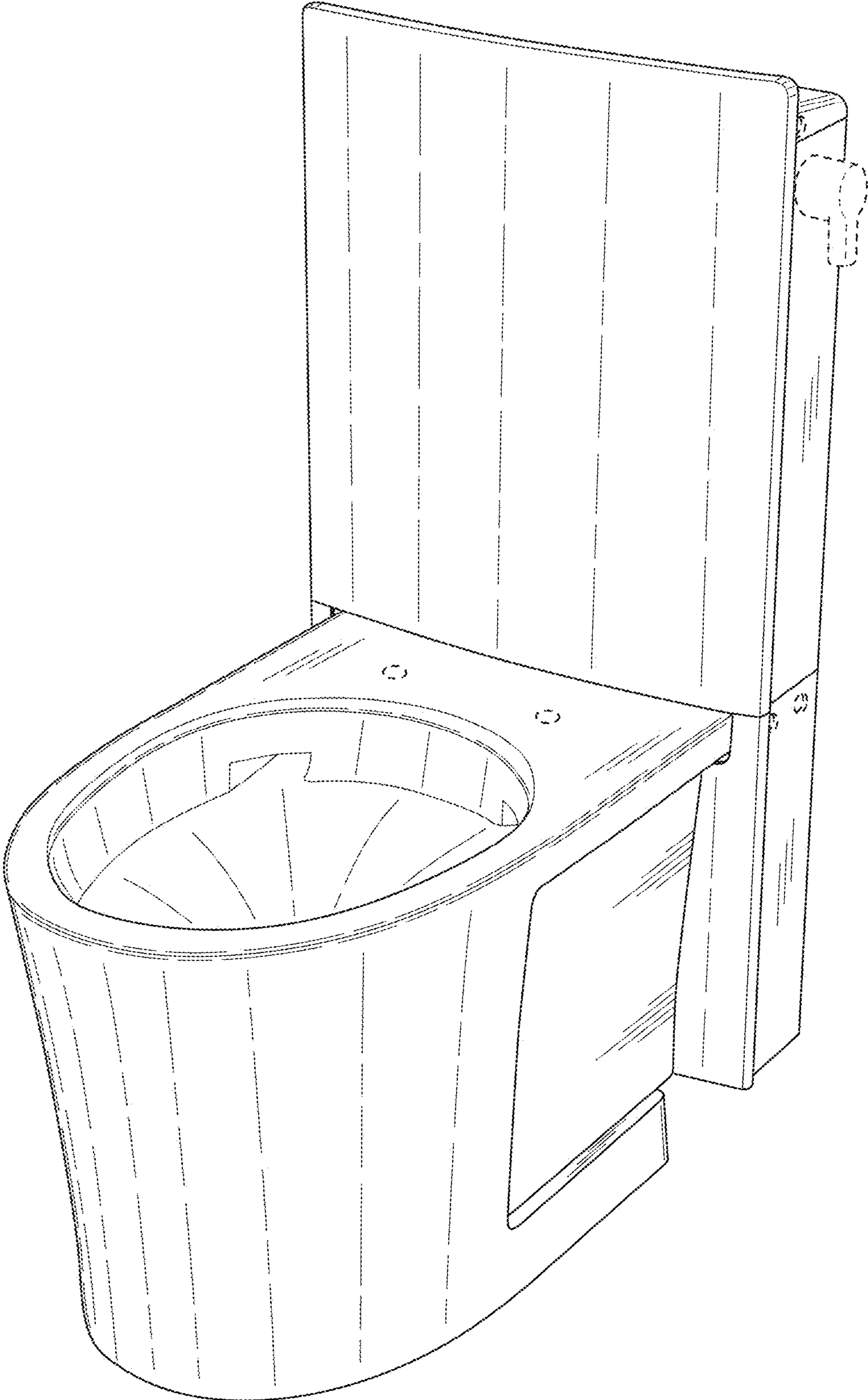


FIG. 1

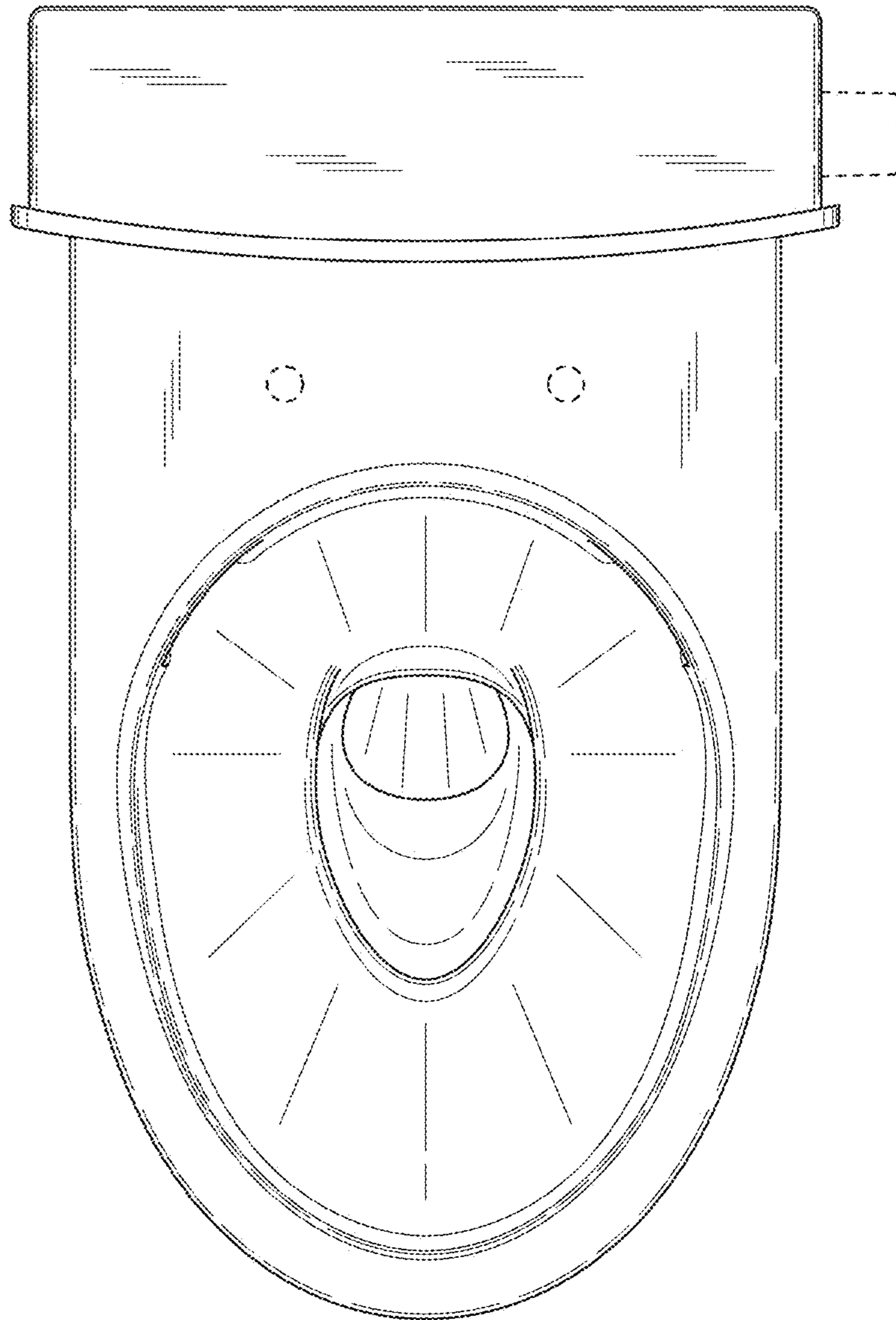


FIG. 2

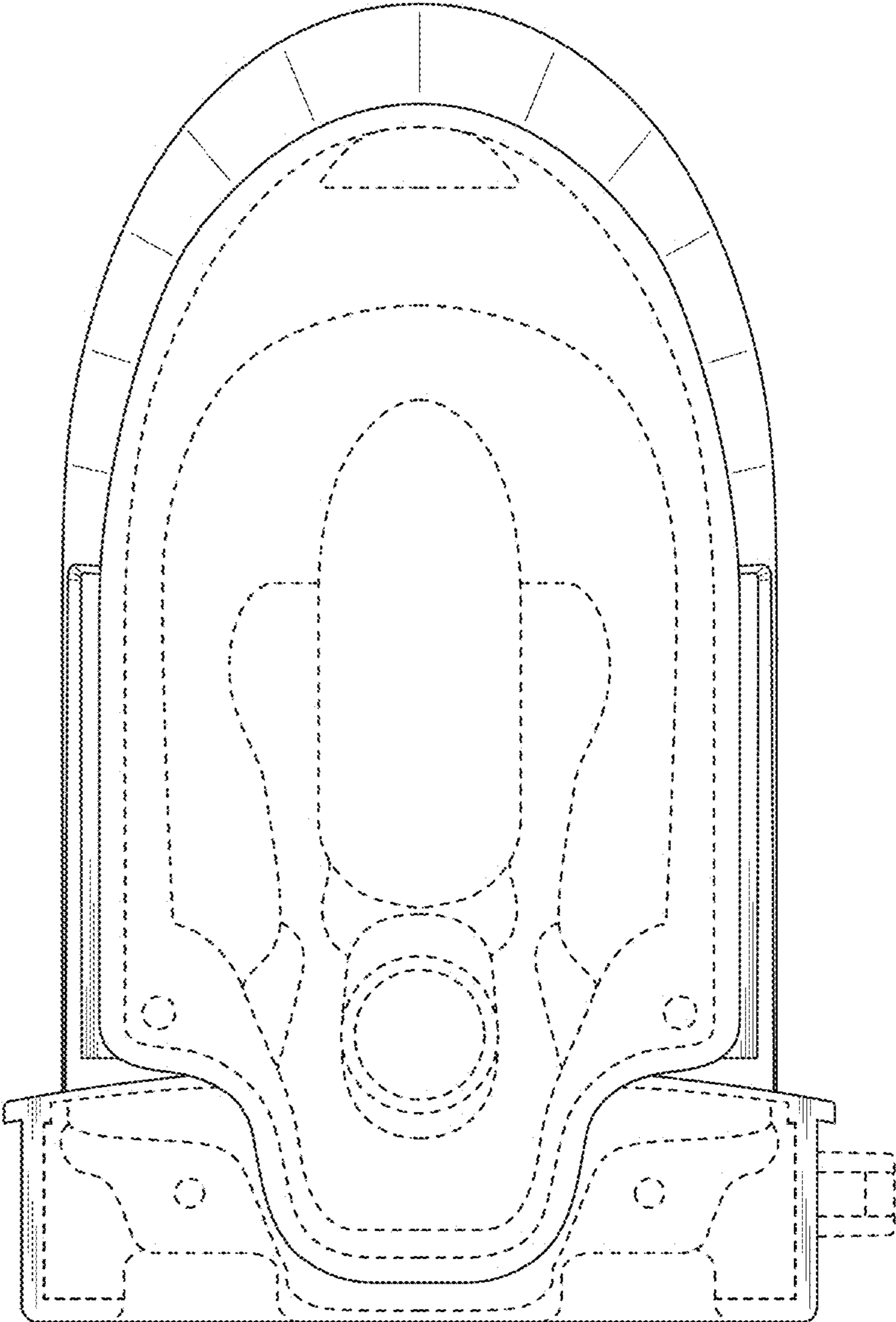


FIG. 3

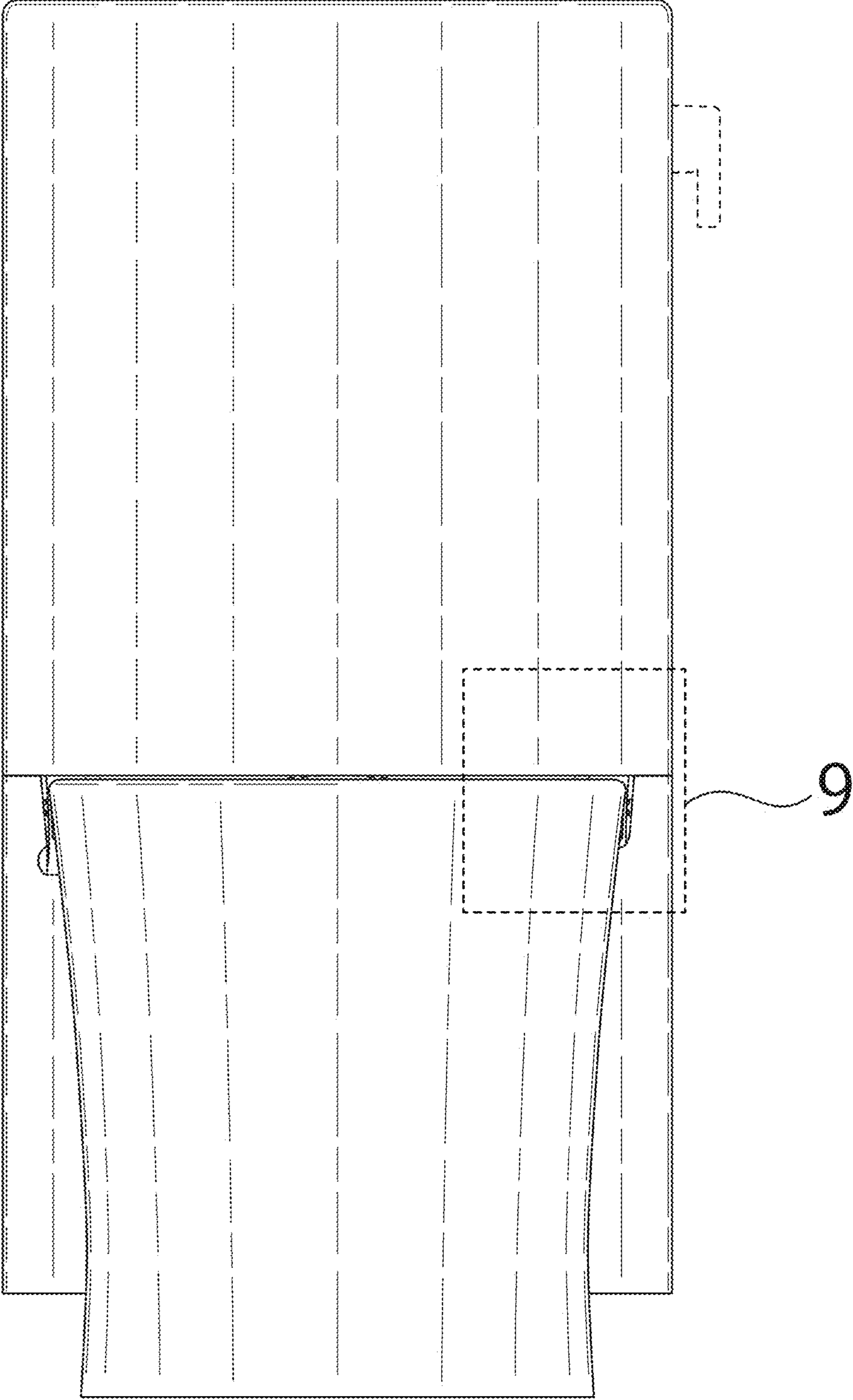


FIG. 4

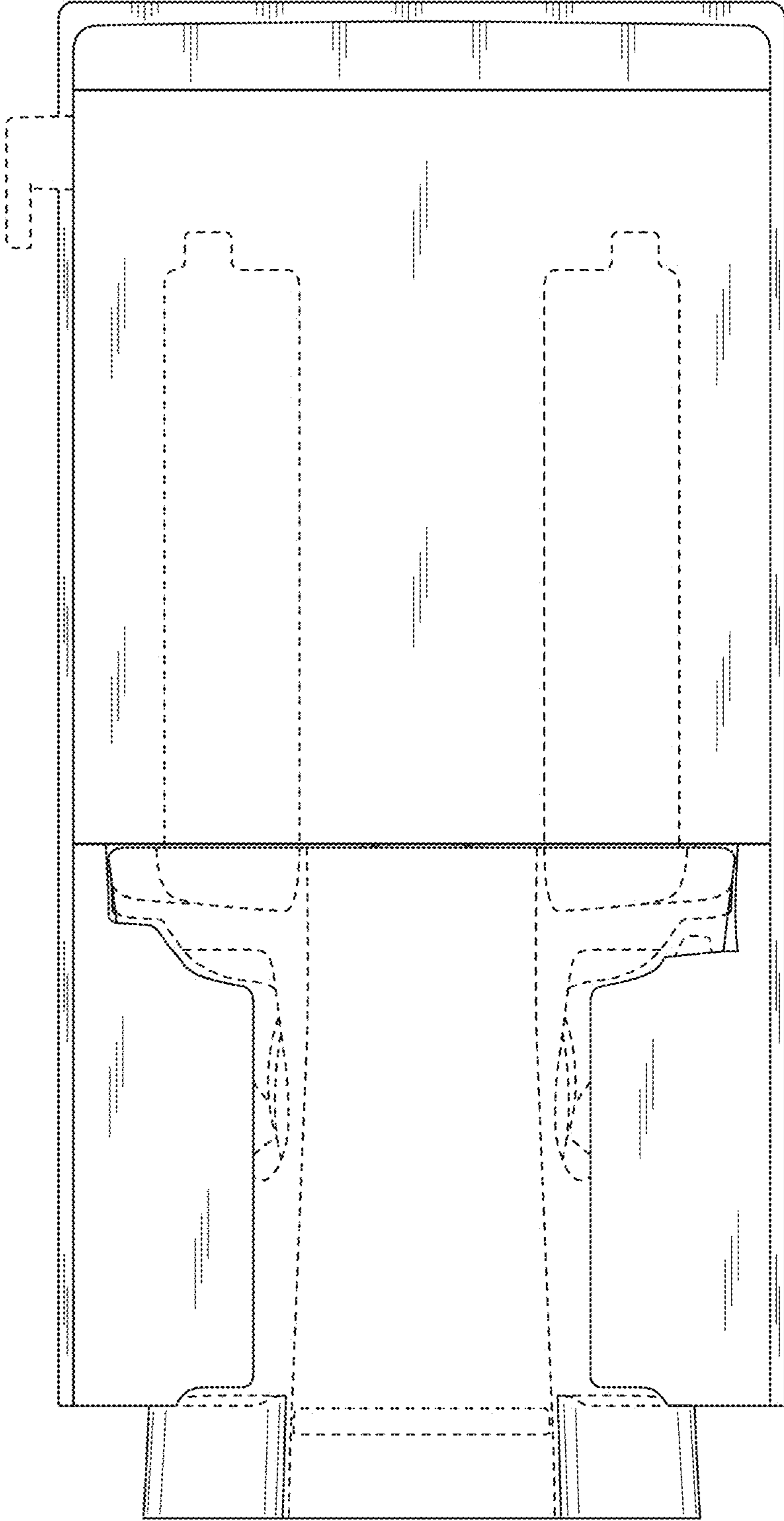


FIG. 5

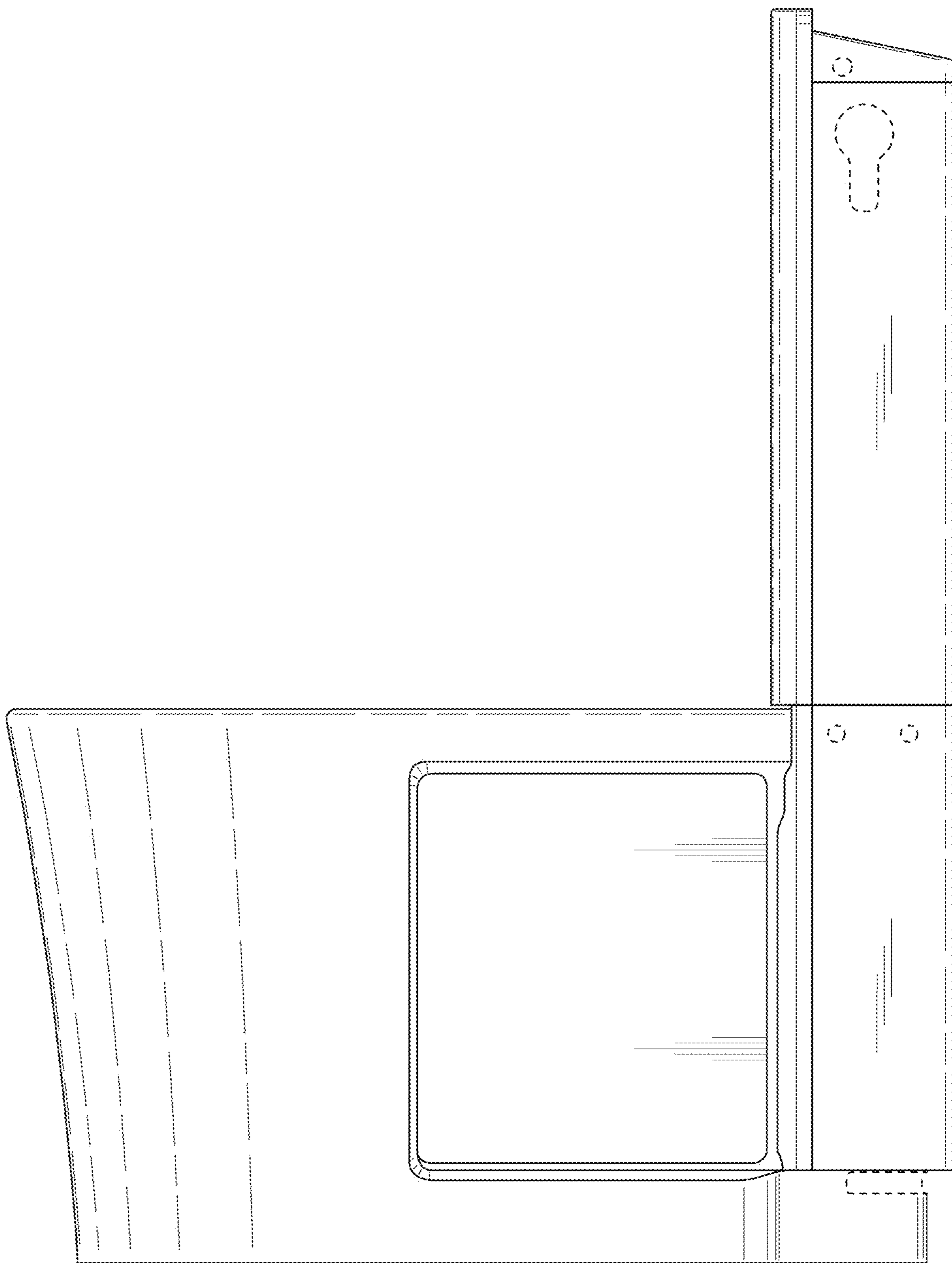


FIG. 6

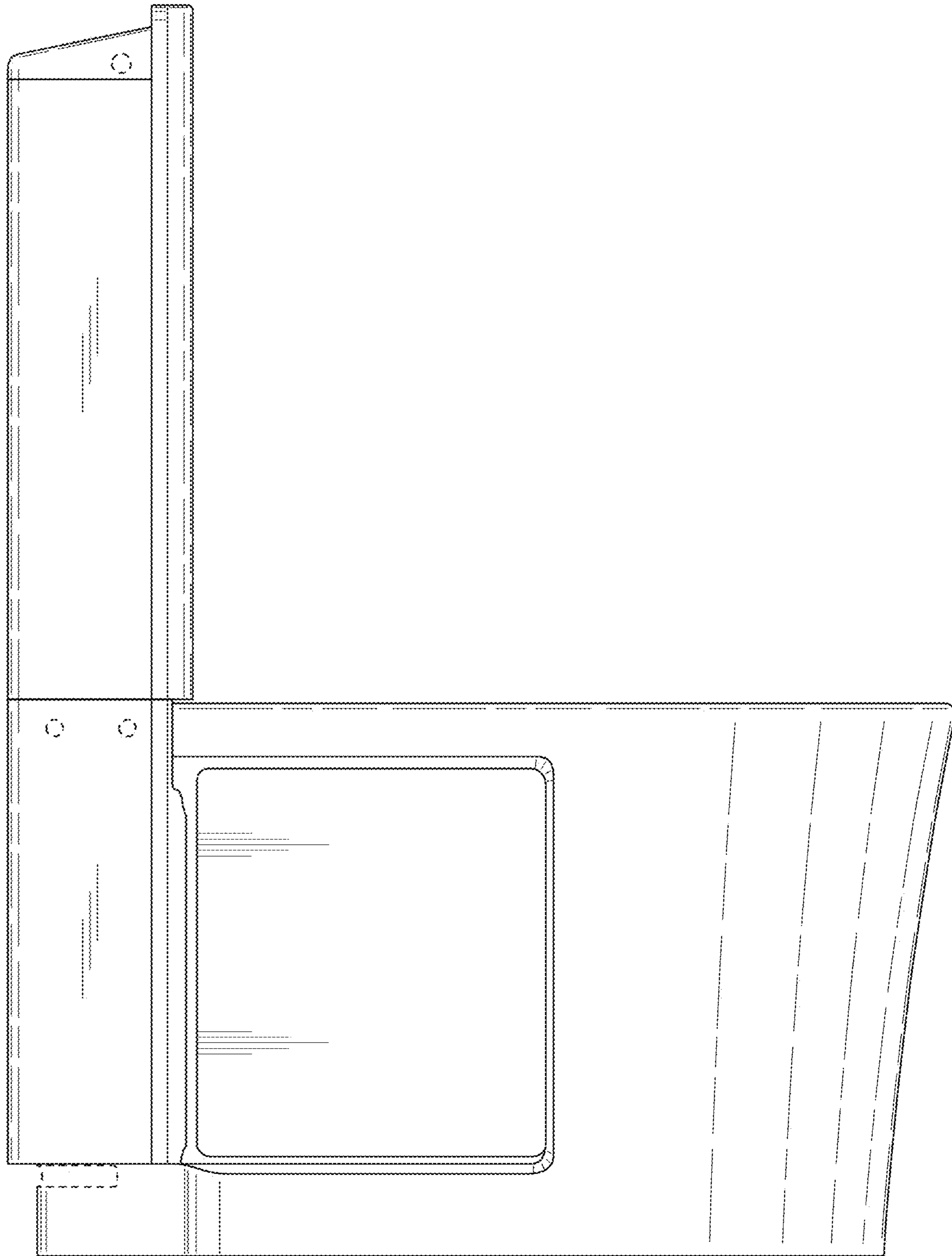


FIG. 7



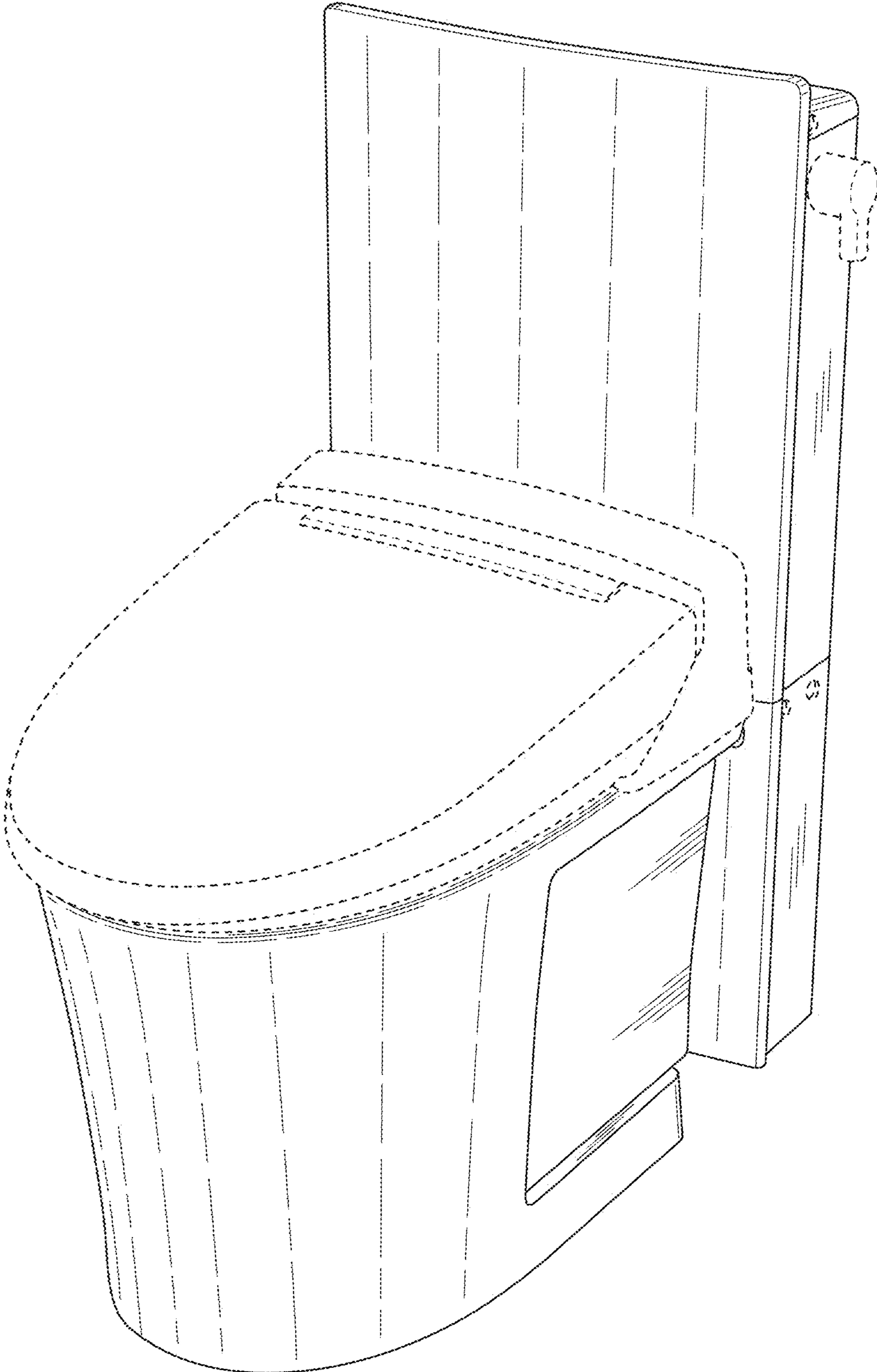


FIG. 8

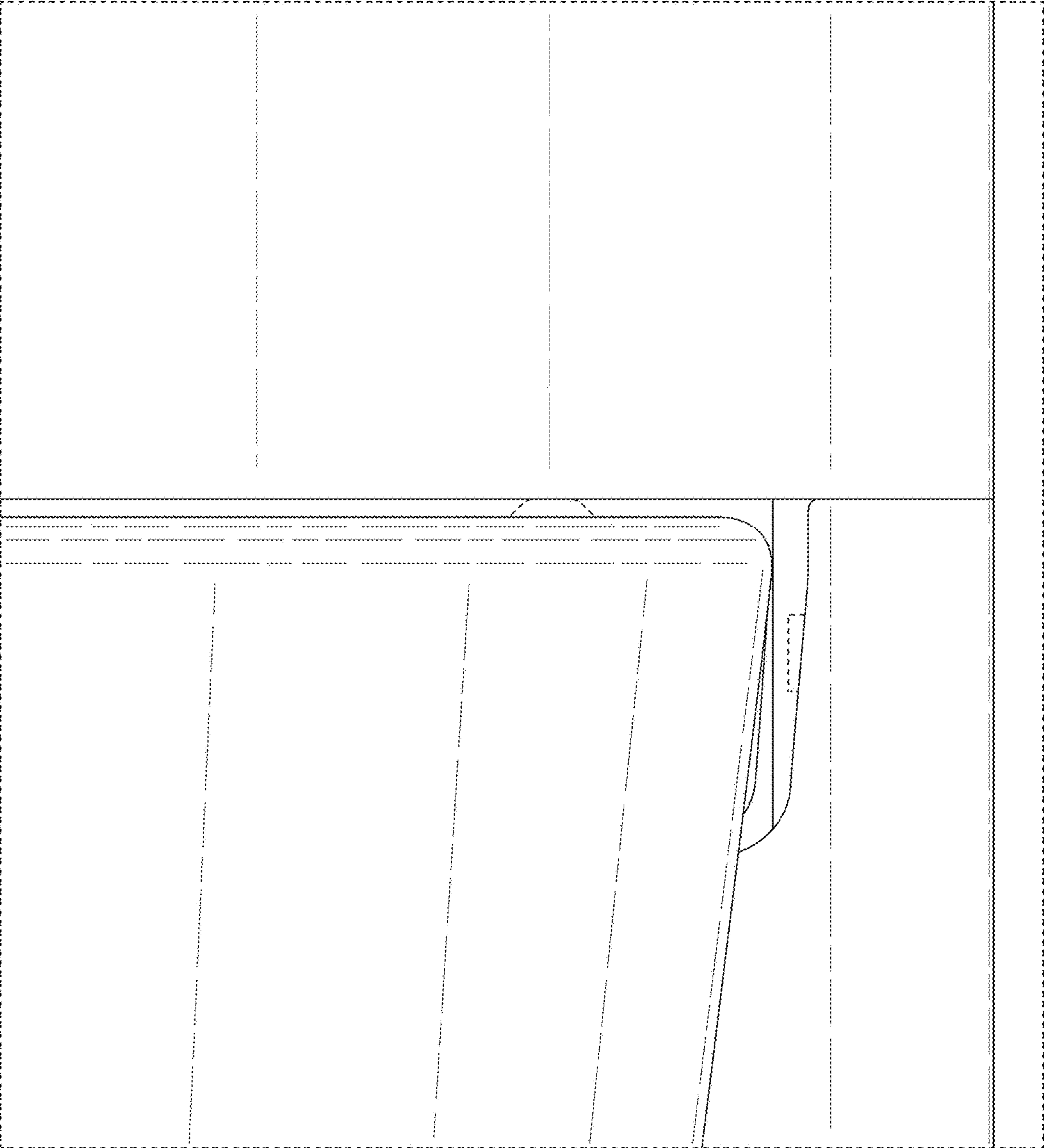


FIG. 9