



US00D870864S

(12) **United States Design Patent** (10) **Patent No.:** **US D870,864 S**
Eads (45) **Date of Patent:** **** Dec. 24, 2019**

- (54) **FAUCET SPOUT**
- (71) Applicant: **DELTA FAUCET COMPANY,**
Indianapolis, IN (US)
- (72) Inventor: **Thad Eads,** Urbana, IN (US)
- (73) Assignee: **DELTA FAUCET COMPANY,**
Indianapolis, IN (US)
- (**) Term: **15 Years**
- (21) Appl. No.: **29/642,157**
- (22) Filed: **Mar. 28, 2018**
- (51) **LOC (12) Cl.** **23-01**
- (52) **U.S. Cl.**
USPC **D23/255**
- (58) **Field of Classification Search**
USPC D23/238-243, 249, 255-257, 309, 250,
D23/252
CPC ... Y10T 137/9464; E03C 1/04; E03C 1/0404;
E03C 1/0407
See application file for complete search history.

- D527,079 S * 8/2006 Yoshioka D23/255
- D581,498 S * 11/2008 Dolan D23/255
- D639,394 S * 6/2011 Citterio D23/238

OTHER PUBLICATIONS

Amazon, Noble tekobili cube tap, posted Oct. 24, 2016, [online], [visited May 21, 2019]. Internet, URL: <https://www.amazon.co.uk/tekobili-Faucet-Single-Chrome-cb00568cr/dp/B016BP14L6> (Year: 2016).*

* cited by examiner

Primary Examiner — Sheryl Lane

Assistant Examiner — Samantha N Wood

(74) *Attorney, Agent, or Firm* — Edgar A. Zarins; Nirav D. Parikh

(57) **CLAIM**

The ornamental design for a faucet spout, as shown and described.

DESCRIPTION

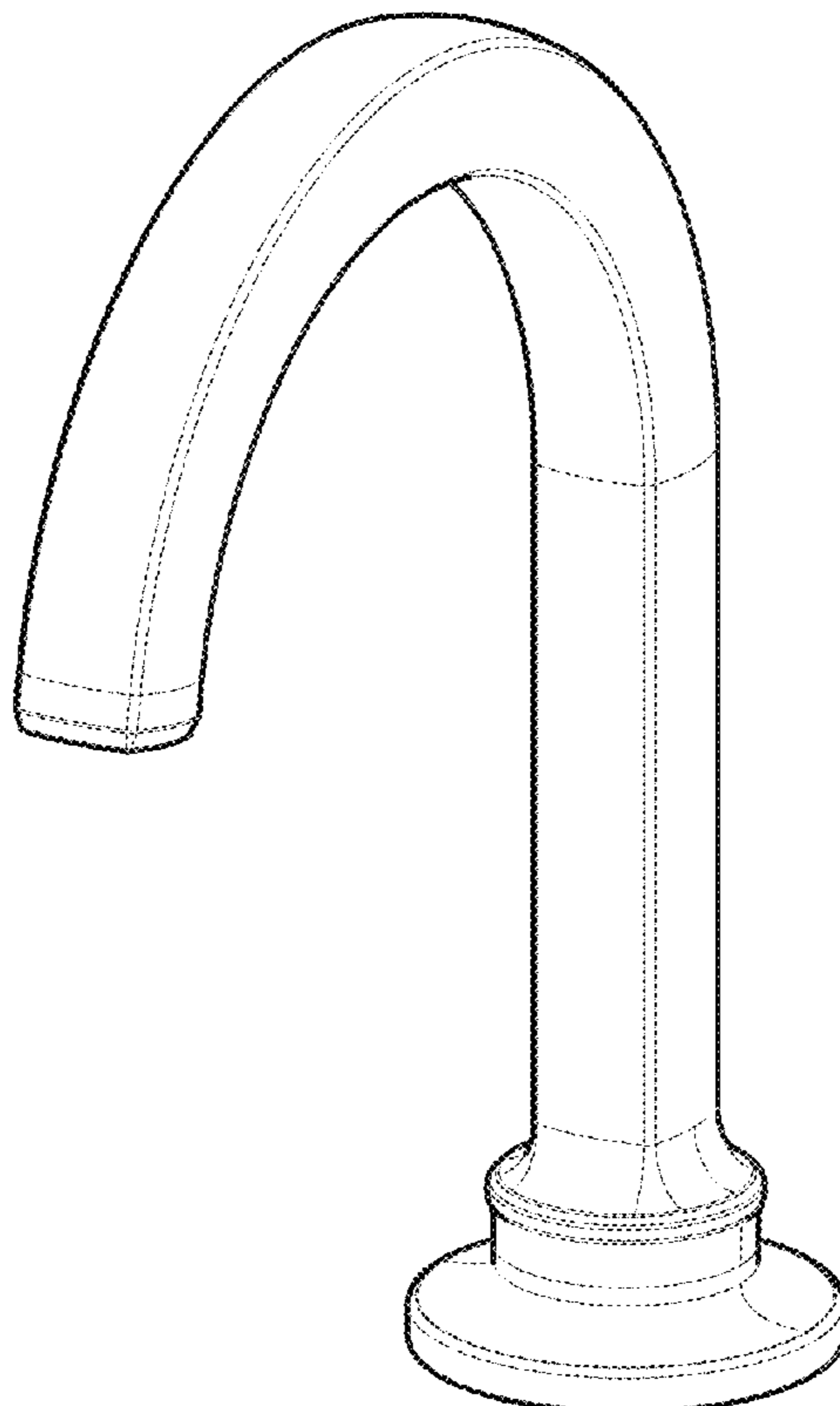
FIG. 1 is a front perspective view of a faucet spout showing my new design;
FIG. 2 is a rear perspective view thereof;
FIG. 3 is a front elevational view thereof;
FIG. 4 is a left side view thereof;
FIG. 5 is a rear view thereof;
FIG. 6 is a right side view thereof;
FIG. 7 is a top plan view thereof; and,
FIG. 8 is a bottom view thereof.

1 Claim, 4 Drawing Sheets

(56) **References Cited**

U.S. PATENT DOCUMENTS

- D409,292 S * 5/1999 Hyde D23/255
- D441,434 S * 5/2001 Dretzka D23/255
- D461,540 S * 8/2002 Gottwald D23/243
- D479,740 S * 9/2003 Citterio D23/242
- D518,558 S * 4/2006 Soriano D23/255



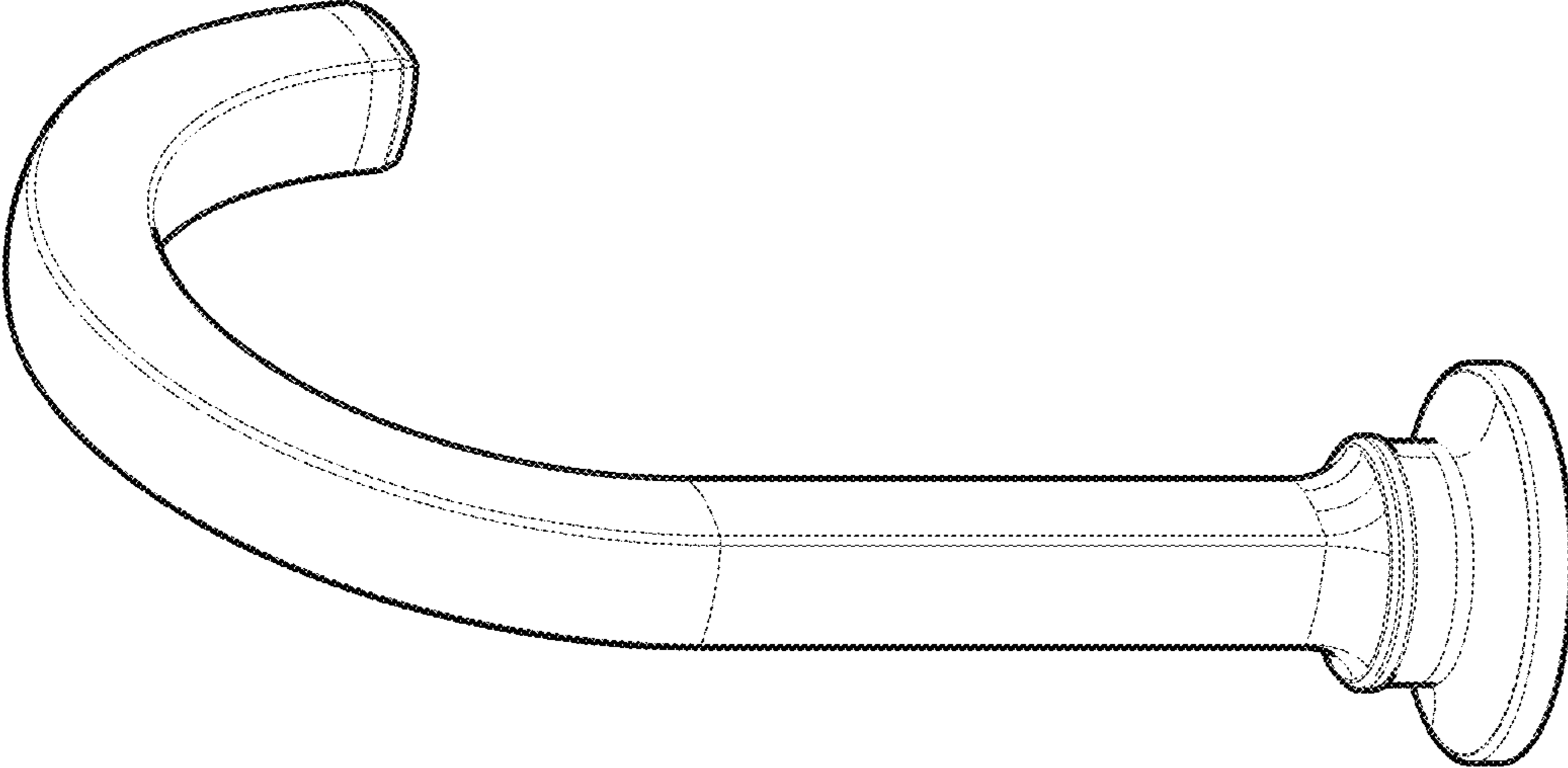


Fig. 2

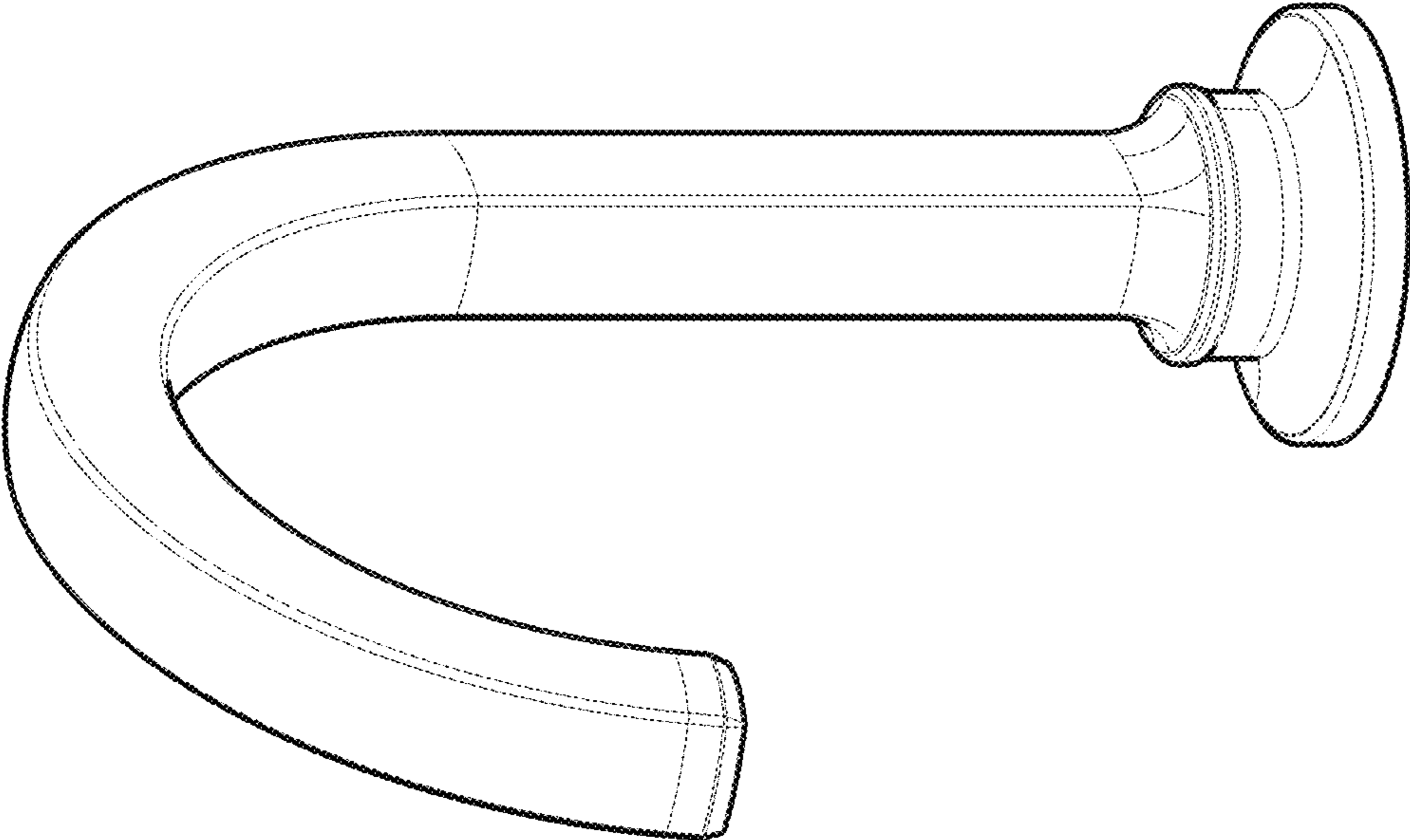


Fig. 1

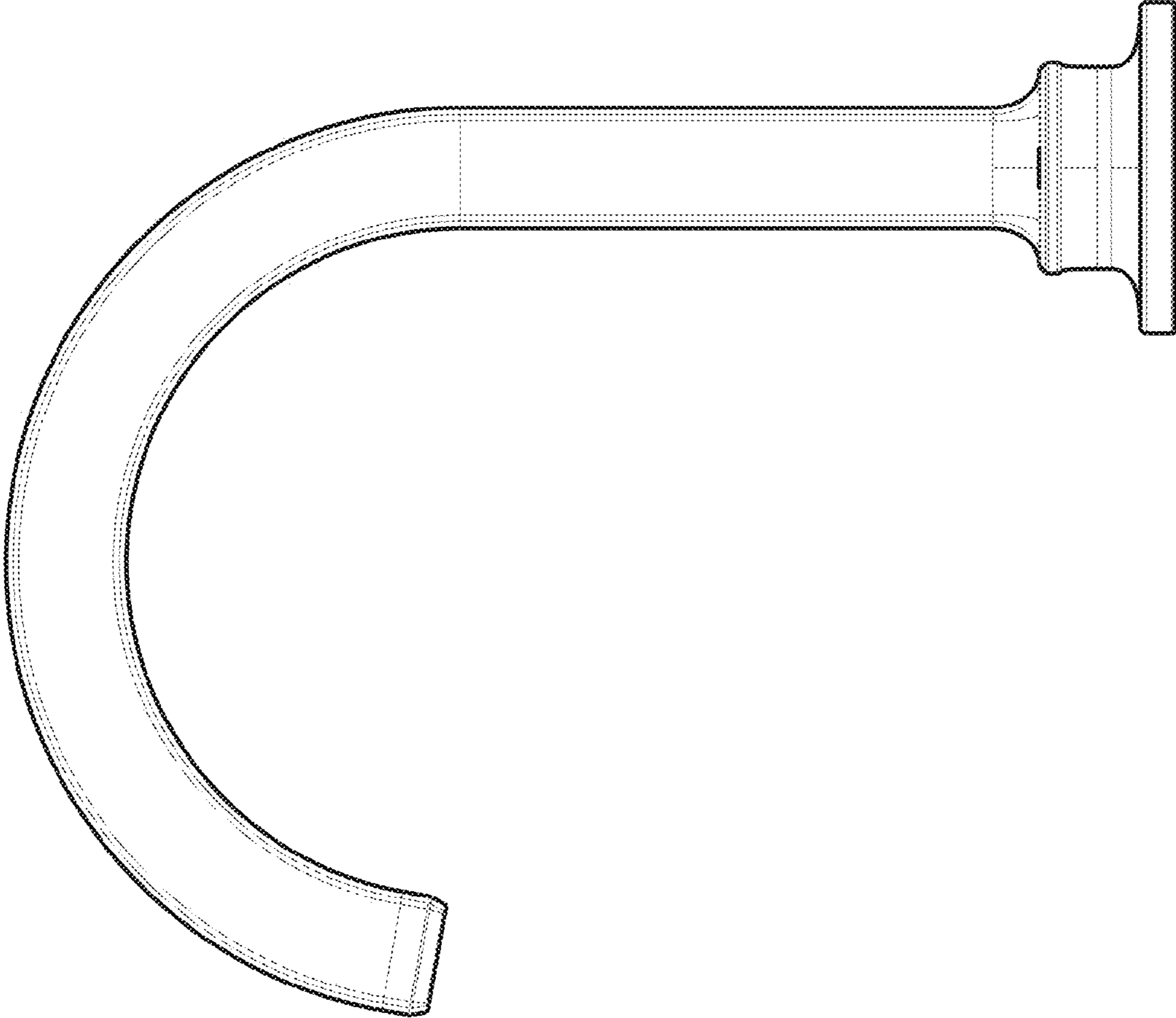


Fig. 3

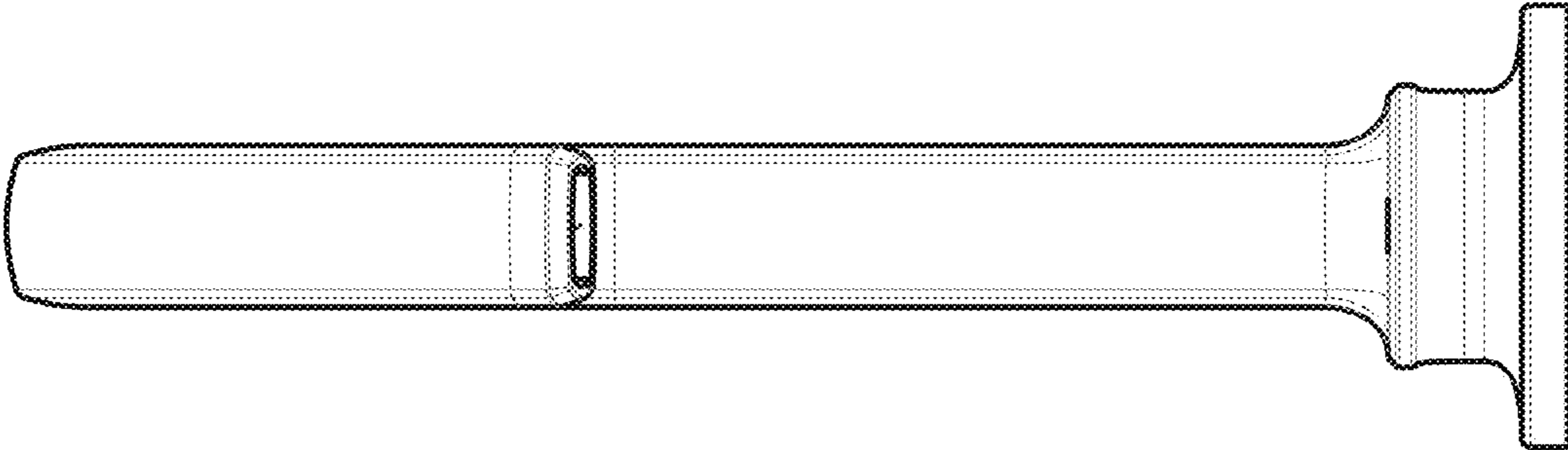


Fig. 4

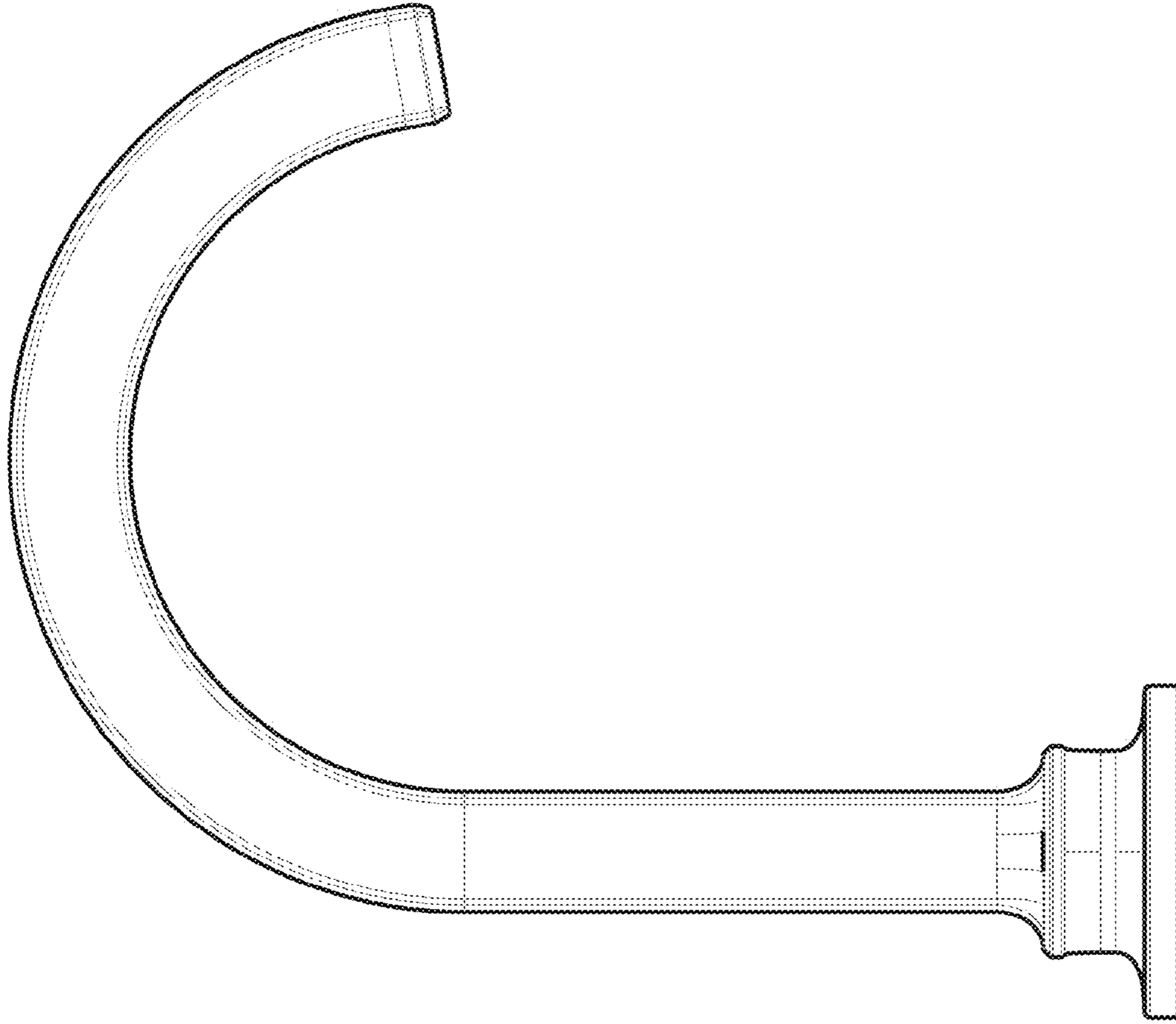


Fig. 6

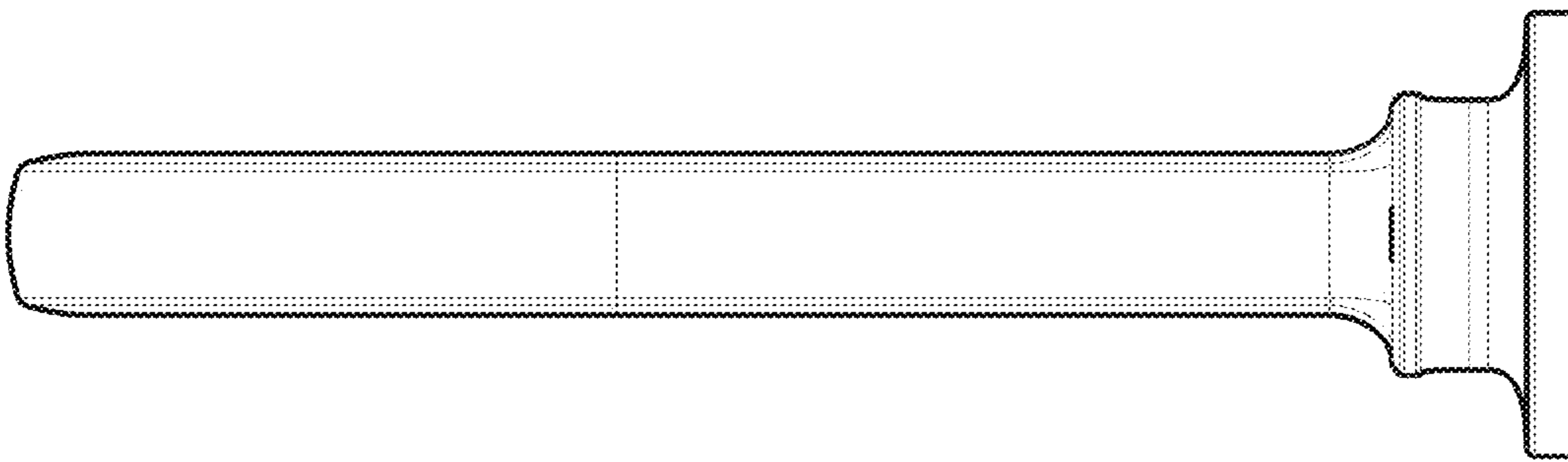


Fig. 5

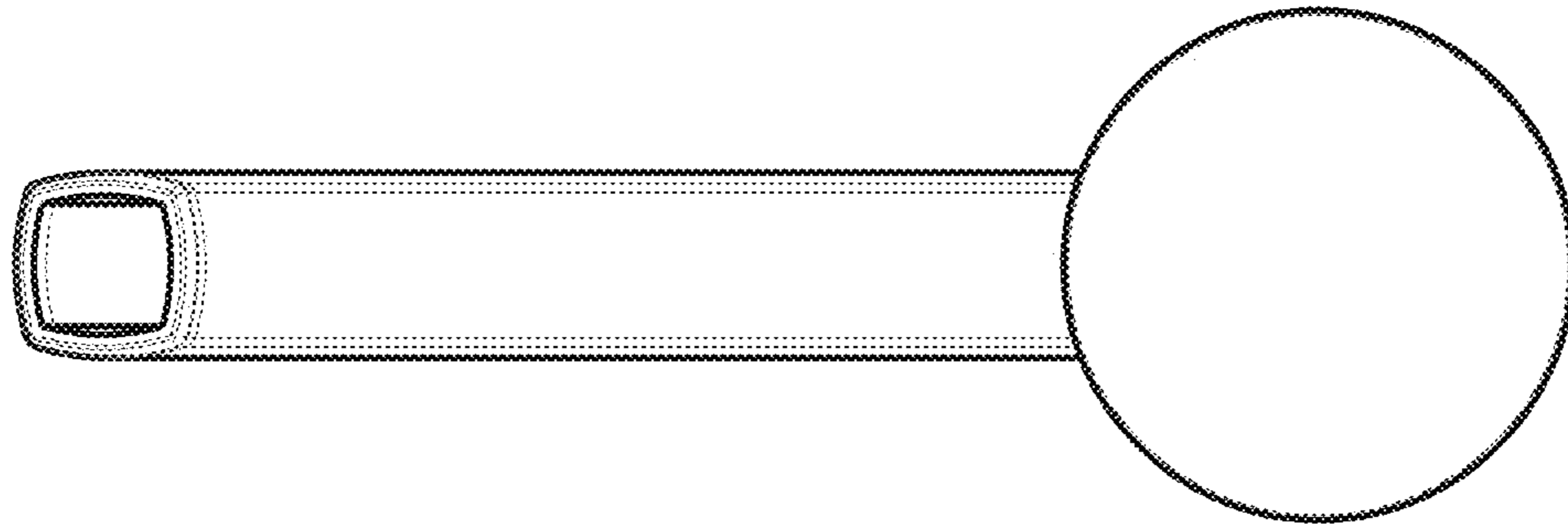


Fig. 8

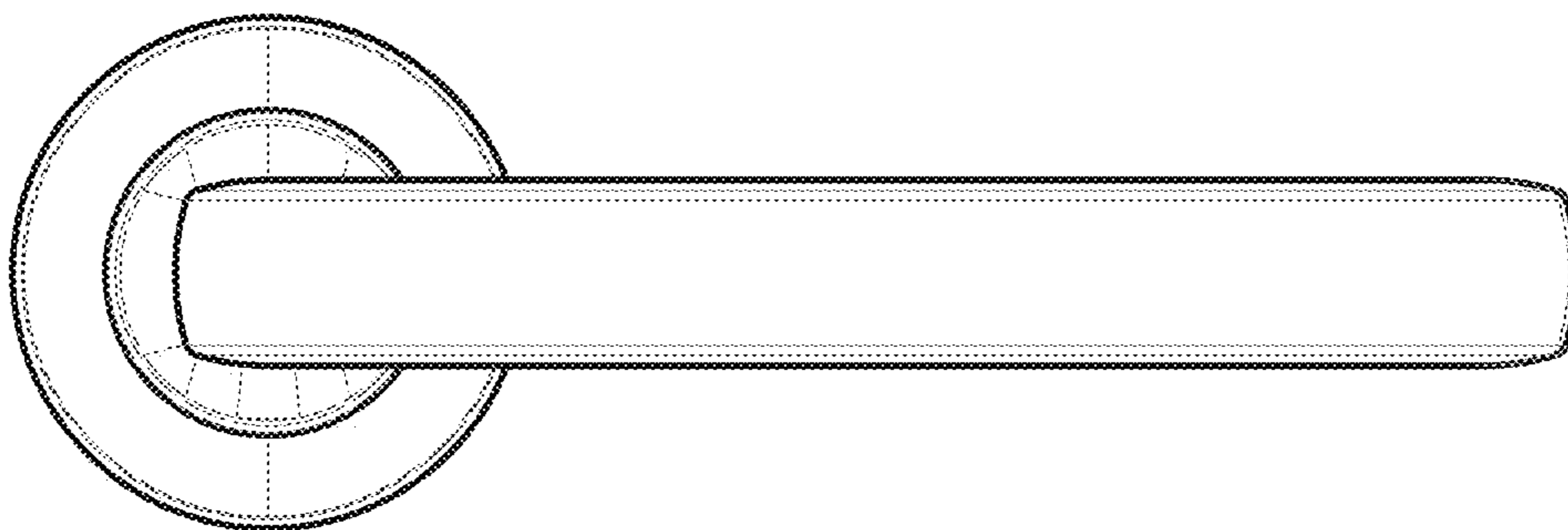


Fig. 7