



US00D870863S

(12) **United States Design Patent** (10) **Patent No.:** **US D870,863 S**  
**Eads** (45) **Date of Patent:** **\*\* Dec. 24, 2019**

(54) **FAUCET SPOUT**

D754,295 S \* 4/2016 Lord ..... D23/238  
D754,825 S \* 4/2016 Lord ..... D23/255  
D755,933 S \* 5/2016 Lord ..... D23/255

(71) Applicant: **DELTA FAUCET COMPANY,**  
Indianapolis, IN (US)

(72) Inventor: **Thad Eads,** Urbana, IN (US)

(73) Assignee: **DELTA FAUCET COMPANY,**  
Indianapolis, IN (US)

(\*\*) Term: **15 Years**

(21) Appl. No.: **29/642,139**

(22) Filed: **Mar. 28, 2018**

(51) **LOC (12) Cl.** ..... **23-01**

(52) **U.S. Cl.**  
USPC ..... **D23/255**

(58) **Field of Classification Search**  
USPC ..... D23/238-243, 249, 255-257, 309  
CPC ... Y10T 137/9464; E03C 1/04; E03C 1/0404;  
E03C 1/0407

See application file for complete search history.

(56) **References Cited**

**U.S. PATENT DOCUMENTS**

D579,089 S \* 10/2008 Dolan ..... D23/255  
D581,024 S \* 11/2008 Dolan ..... D23/254  
D581,498 S \* 11/2008 Dolan ..... D23/255  
D601,668 S \* 10/2009 Williams ..... D23/255  
D613,822 S \* 4/2010 Hanna ..... D23/242  
D690,397 S \* 9/2013 Flowers ..... D23/255

**OTHER PUBLICATIONS**

Amazon, ENKI Sink Faucet, posted Nov. 20, 2013, [online], [visited Apr. 10, 2019]. Internet, <URL: [https://www.amazon.co.uk/ENKI-Modern-Brushed-Nickel-Kitchen/dp/B01LZ30XXO/ref=olp\\_product\\_details?\\_encoding=UTF8&me=>](https://www.amazon.co.uk/ENKI-Modern-Brushed-Nickel-Kitchen/dp/B01LZ30XXO/ref=olp_product_details?_encoding=UTF8&me=>) (Year: 2013).\*  
Amazon, Kingston Brass Faucet, posted Jul. 6, 2009, [online], [visited Apr. 19, 2019]. Internet, <URL: <https://www.amazon.com/Kingston-Brass-FS1971APL-Widespread-Cartridge/dp/B002E9IHQO>> (Year: 2009).\*

\* cited by examiner

*Primary Examiner* — Sheryl Lane

*Assistant Examiner* — Samantha N Wood

(74) *Attorney, Agent, or Firm* — Edgar A. Zarins; Nirav D. Parikh

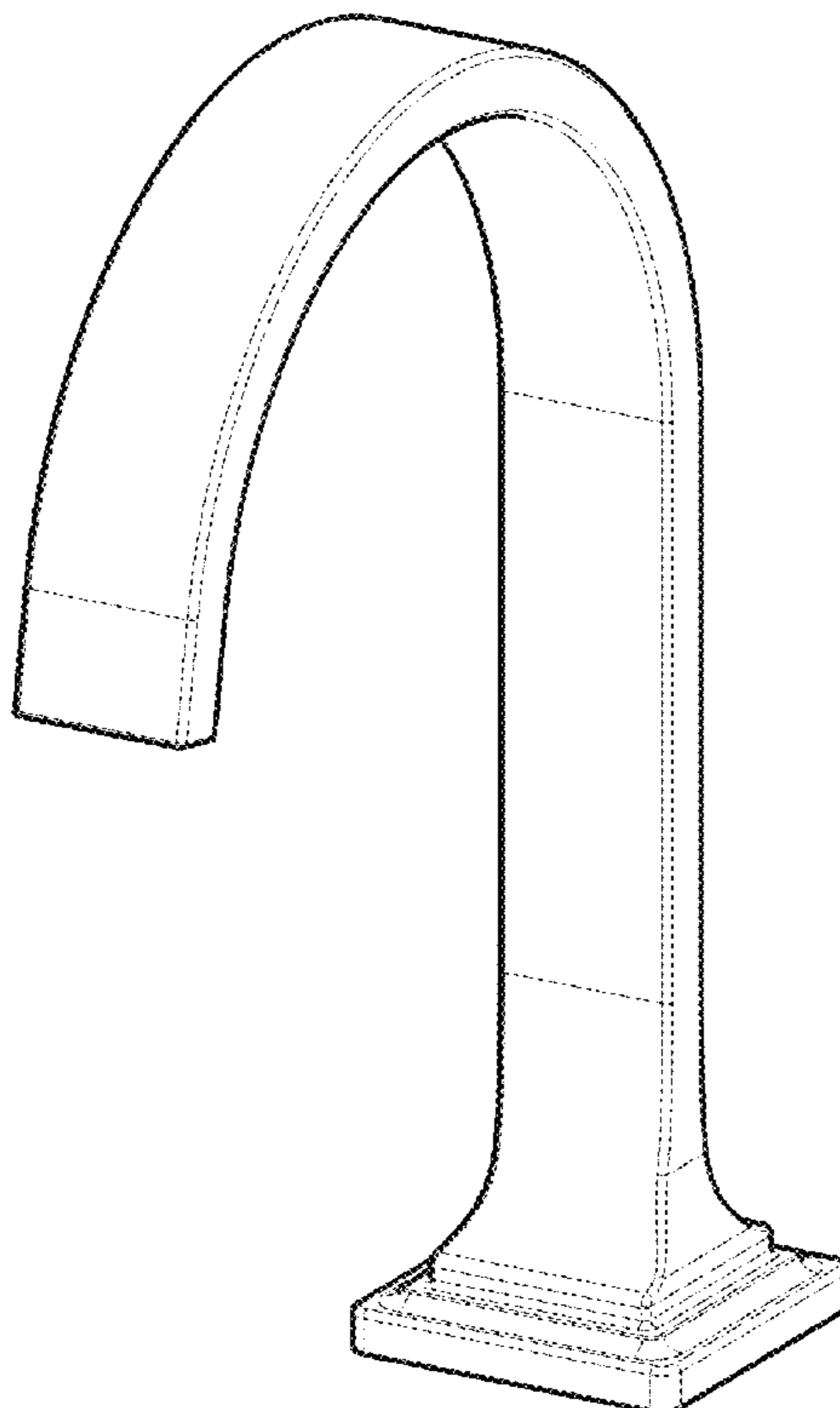
(57) **CLAIM**

The ornamental design for a faucet spout, as shown and described.

**DESCRIPTION**

FIG. 1 is a front perspective view of a faucet spout showing my new design;  
FIG. 2 is a rear perspective view thereof;  
FIG. 3 is a front elevational view thereof;  
FIG. 4 is a left side view thereof;  
FIG. 5 is a rear view thereof;  
FIG. 6 is a right side view thereof;  
FIG. 7 is a top plan view thereof; and,  
FIG. 8 is a bottom view thereof.

**1 Claim, 4 Drawing Sheets**



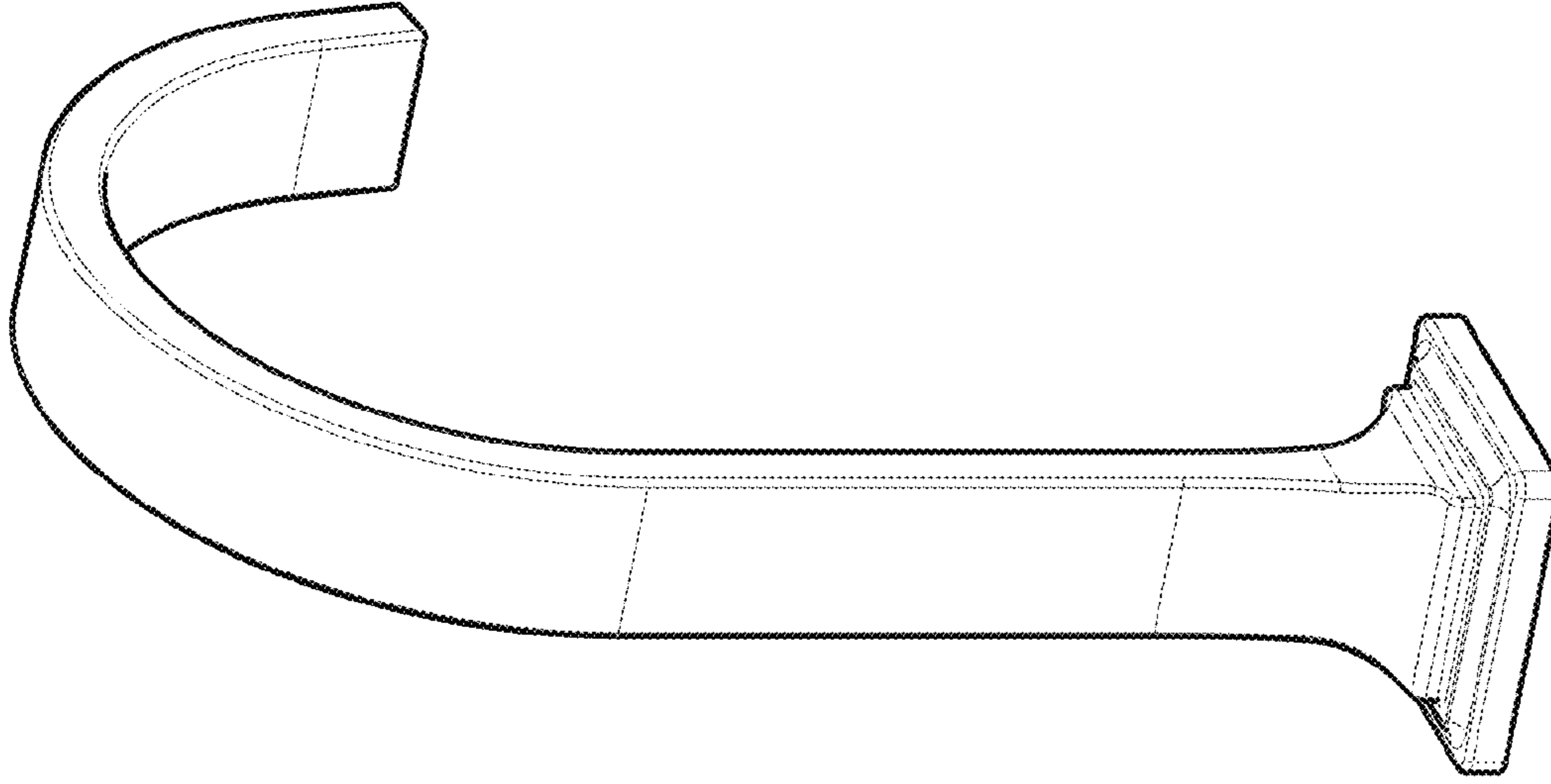


Fig. 2

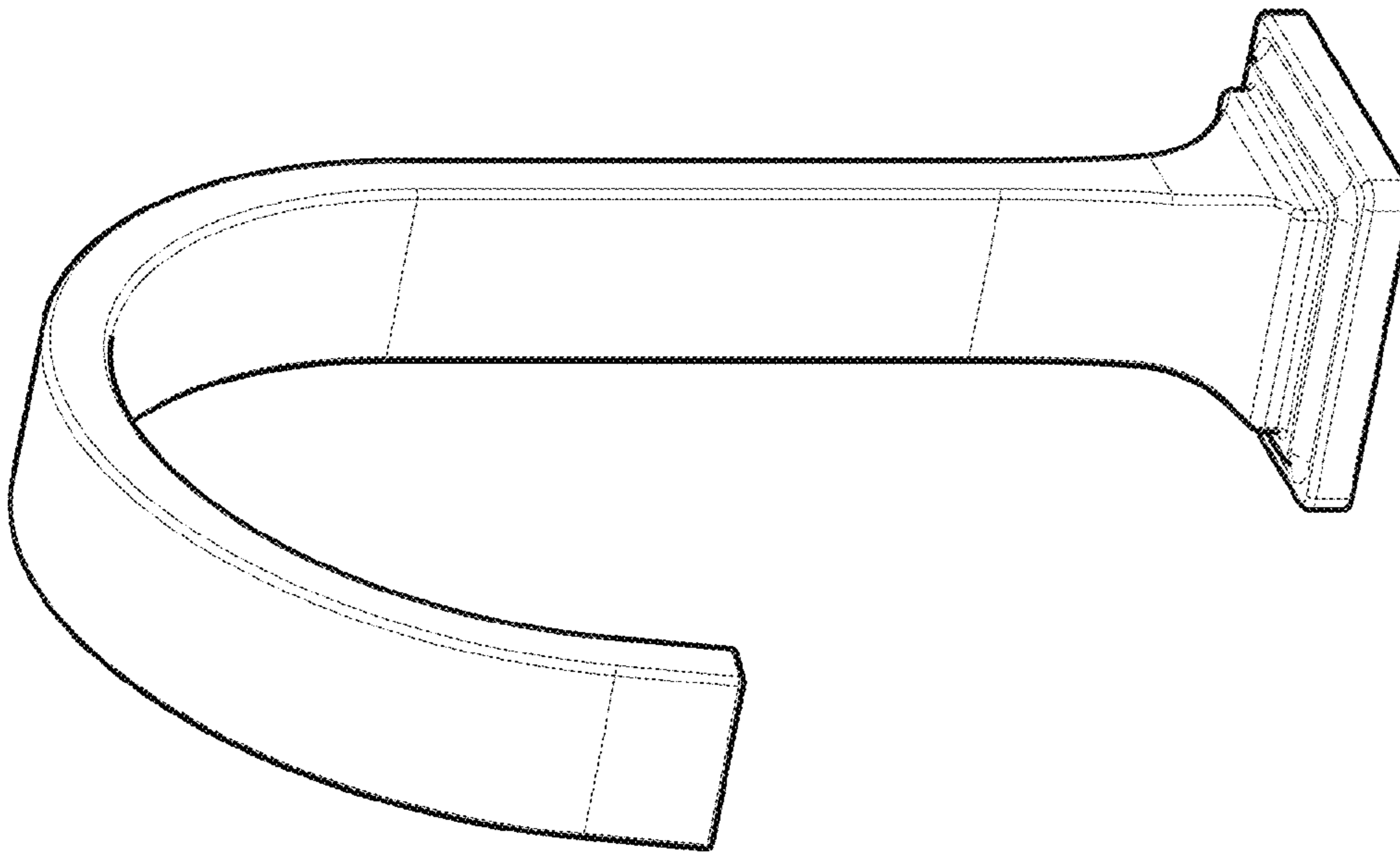


Fig. 1

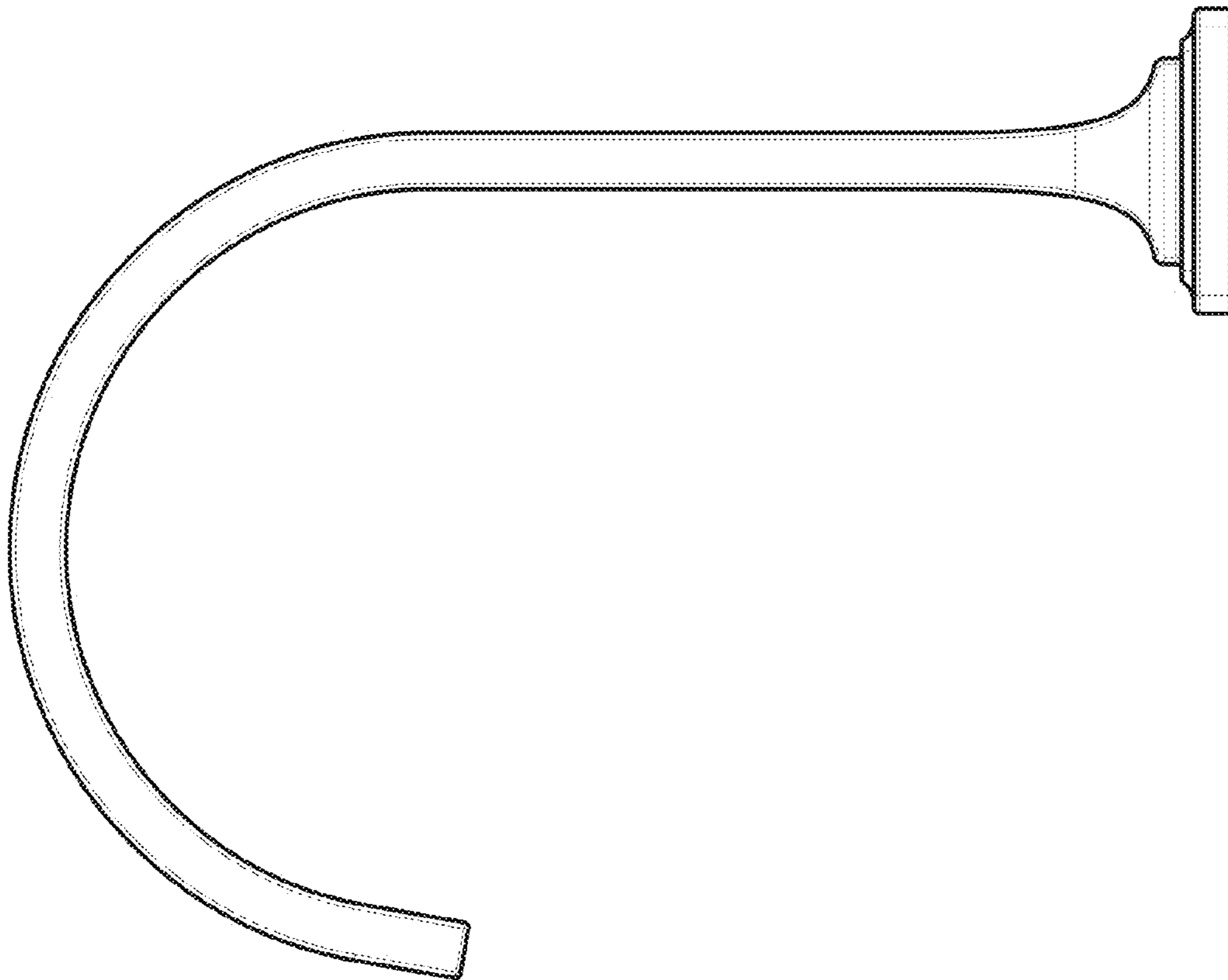


Fig. 3

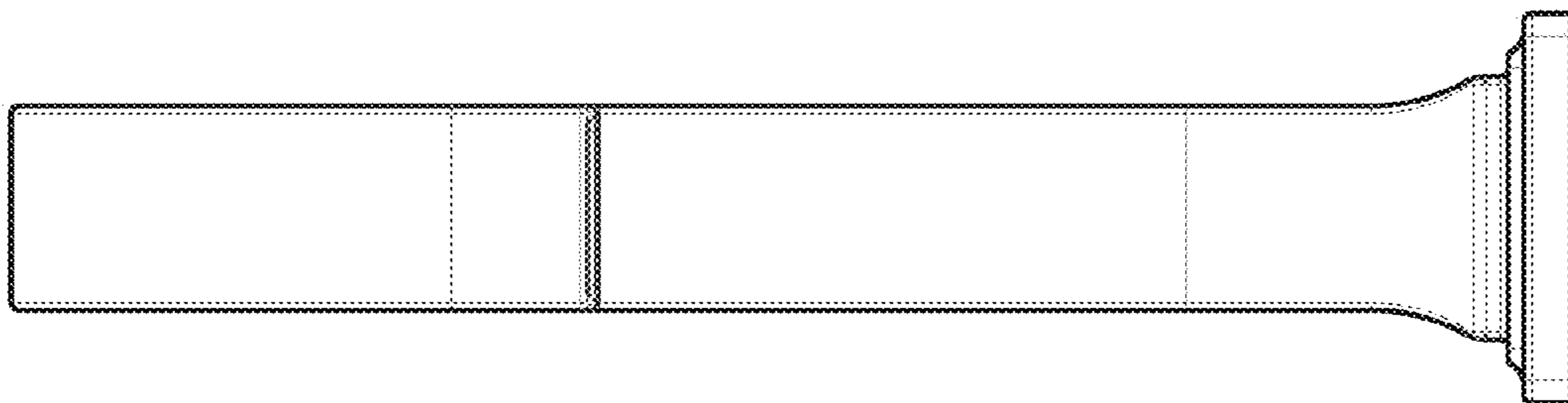


Fig. 4

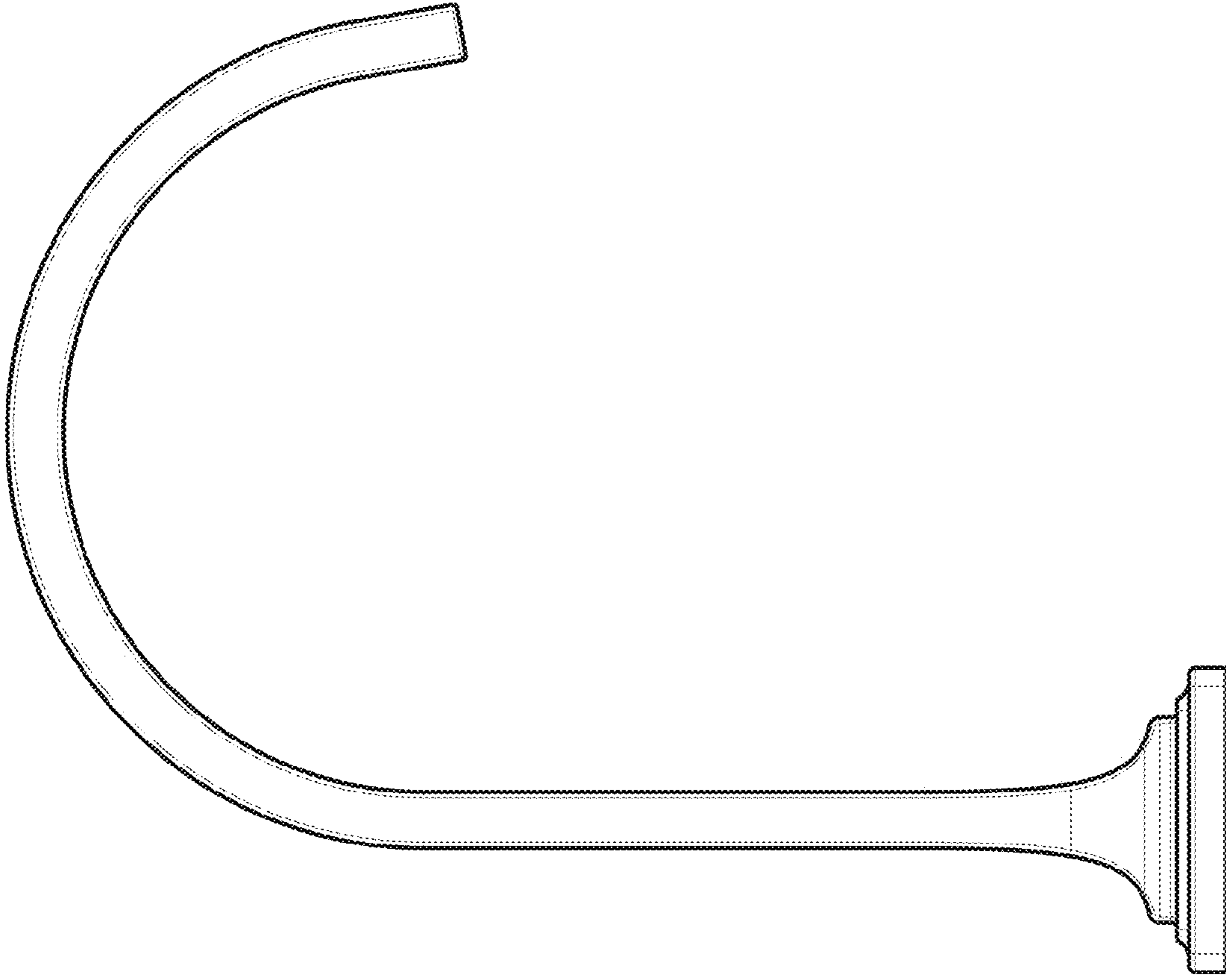


Fig. 6

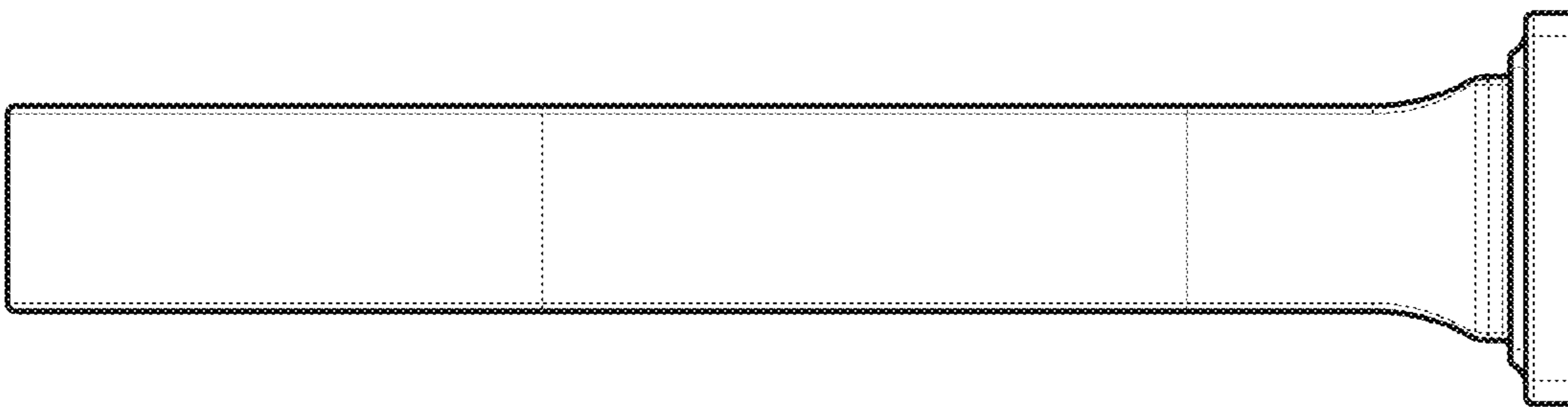


Fig. 5

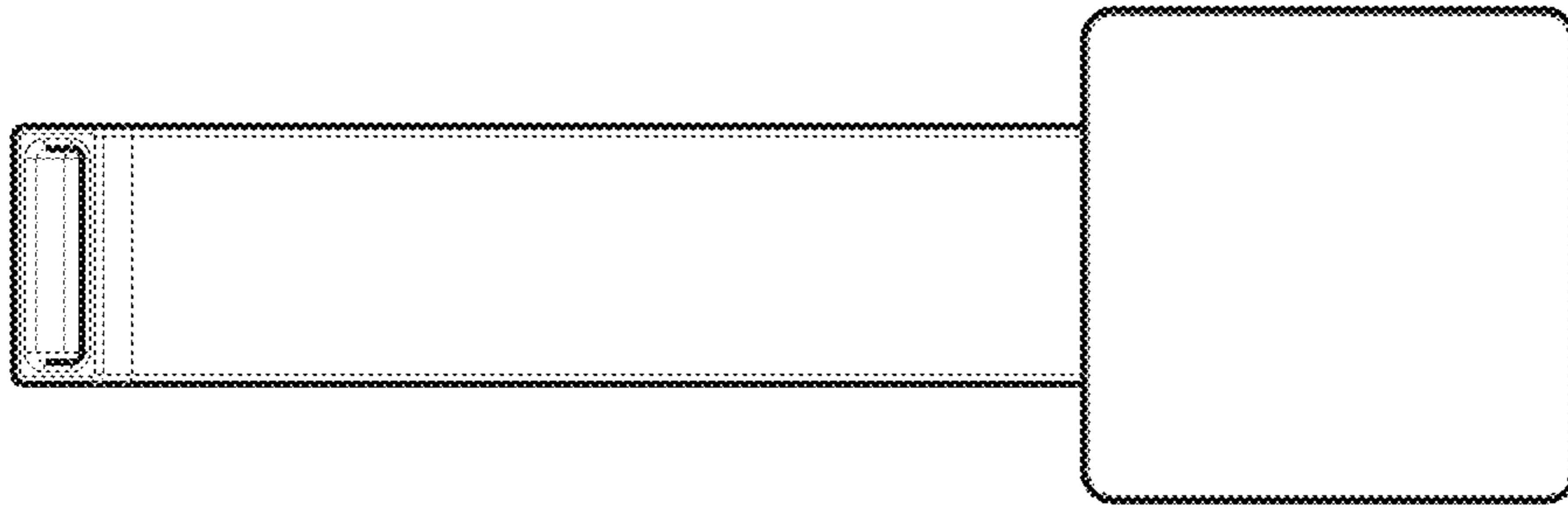


Fig. 8

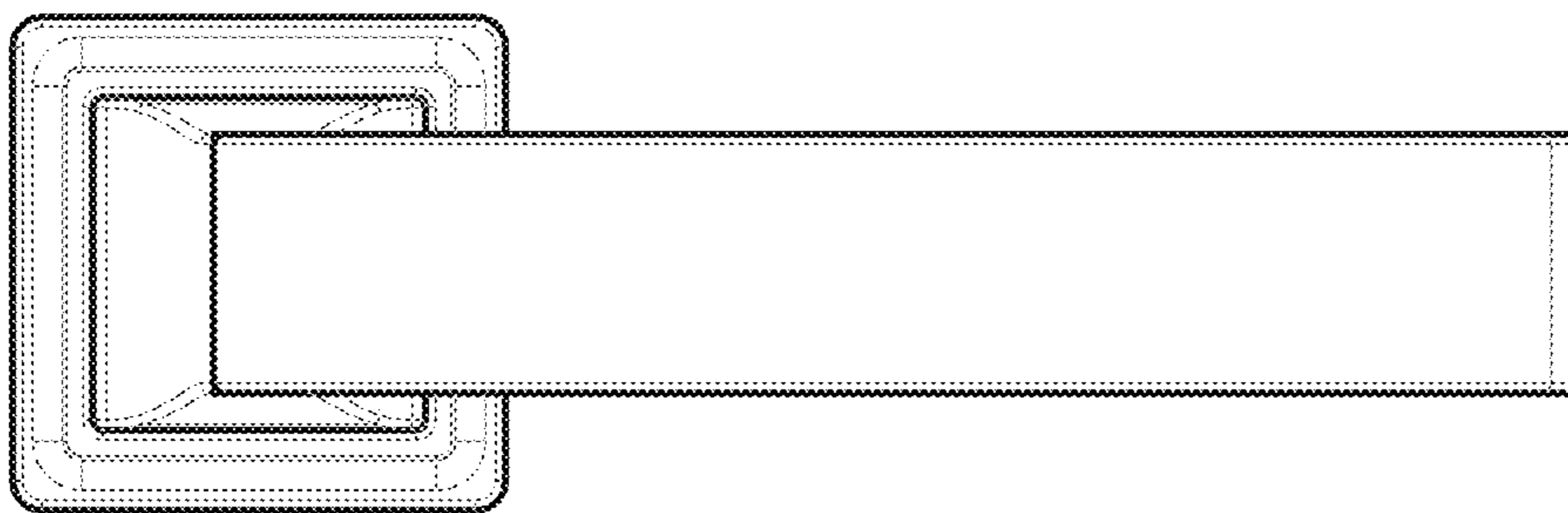


Fig. 7