



US00D870862S

(12) **United States Design Patent** (10) **Patent No.:** **US D870,862 S**
Eads (45) **Date of Patent:** **** Dec. 24, 2019**

(54) **FAUCET SPOUT**
(71) Applicant: **DELTA FAUCET COMPANY,**
Indianapolis, IN (US)
(72) Inventor: **Thad Eads,** Urbana, IN (US)
(73) Assignee: **DELTA FAUCET COMPANY,**
Indianapolis, IN (US)
(**) Term: **15 Years**
(21) Appl. No.: **29/641,918**
(22) Filed: **Mar. 26, 2018**
(51) **LOC (12) Cl.** **23-01**
(52) **U.S. Cl.**
USPC **D23/255**
(58) **Field of Classification Search**
USPC D23/238-243, 249, 255-257, 309
CPC ... Y10T 137/9464; E03C 1/04; E03C 1/0404;
E03C 1/0407
See application file for complete search history.

D690,397 S * 9/2013 Flowers D23/255
D755,933 S * 5/2016 Lord D23/255
D809,105 S * 1/2018 Cheng D23/242

FOREIGN PATENT DOCUMENTS

IN 278604 * 12/2015

OTHER PUBLICATIONS

Moco Loco, Minimo Faucet by Gessi, posted Aug. 18, 2011, [online], [visited Apr. 18, 2019]. Internet, <URL: https://mocoloco.com/fresh2/2011/08/18/minimo-faucet-by-gessi.php> (Year: 2011).*

* cited by examiner

Primary Examiner — Sheryl Lane

Assistant Examiner — Samantha N Wood

(74) *Attorney, Agent, or Firm* — Edgar A. Zarins; Nirav D. Parikh

(57) **CLAIM**

The ornamental design for a faucet spout, as shown and described.

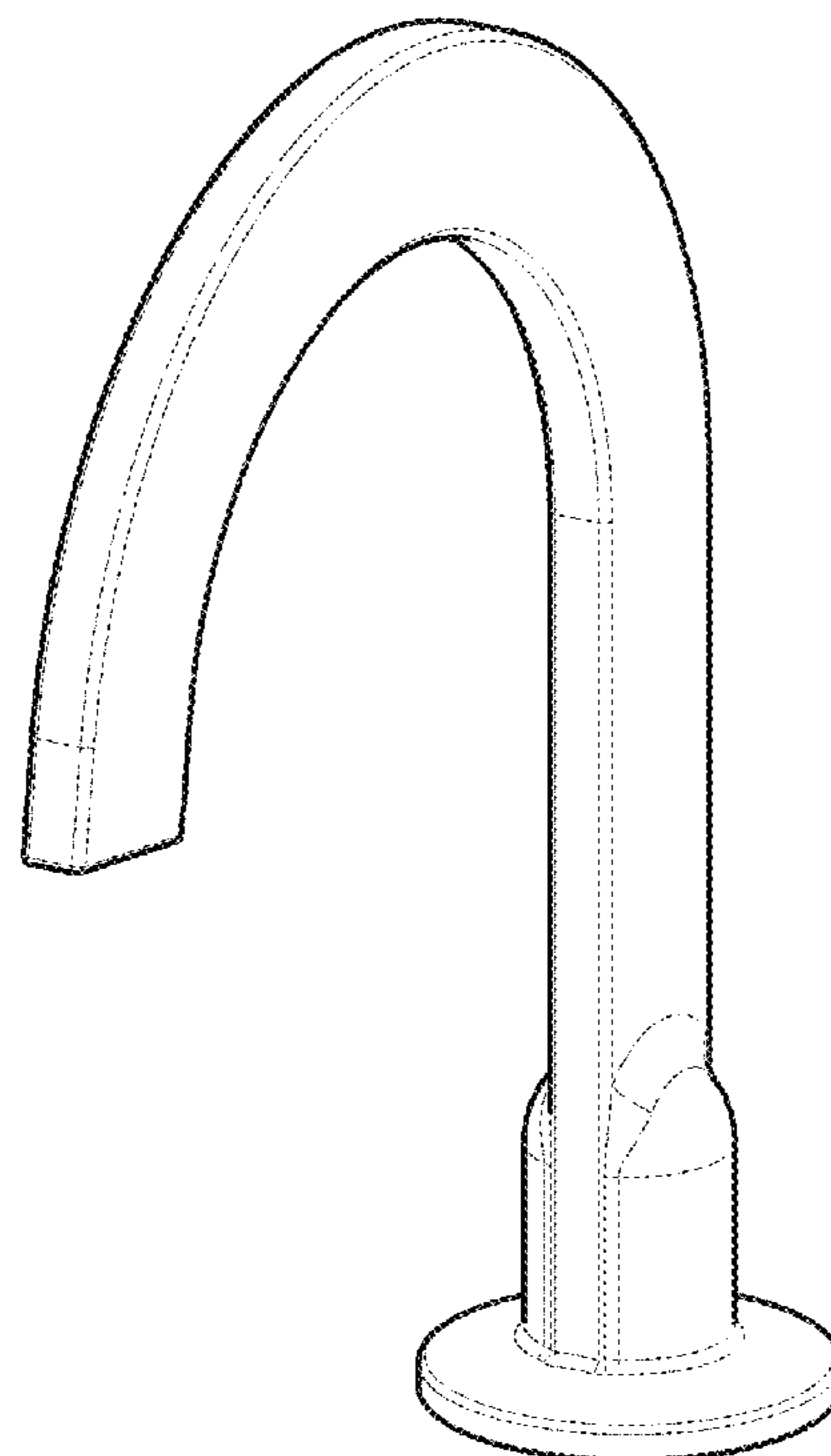
DESCRIPTION

FIG. 1 is a front perspective view of a faucet spout showing my new design;
FIG. 2 is a rear perspective view thereof;
FIG. 3 is a front elevational view thereof;
FIG. 4 is a left side view thereof;
FIG. 5 is a rear view thereof;
FIG. 6 is a right side view thereof;
FIG. 7 is a top plan view thereof; and,
FIG. 8 is a bottom view thereof.

1 Claim, 4 Drawing Sheets

(56) **References Cited**
U.S. PATENT DOCUMENTS

D280,232 S * 8/1985 Paul D23/242
D297,758 S * 9/1988 Paul D23/252
D310,258 S * 8/1990 Strignano D23/242
D316,138 S * 4/1991 Paul D23/257
D364,220 S * 11/1995 Hill D23/255
D519,617 S * 4/2006 Hoernig D23/255
D522,634 S * 6/2006 Hoernig D23/252
D579,089 S * 10/2008 Dolan D23/255
D585,960 S * 2/2009 Ko D23/238



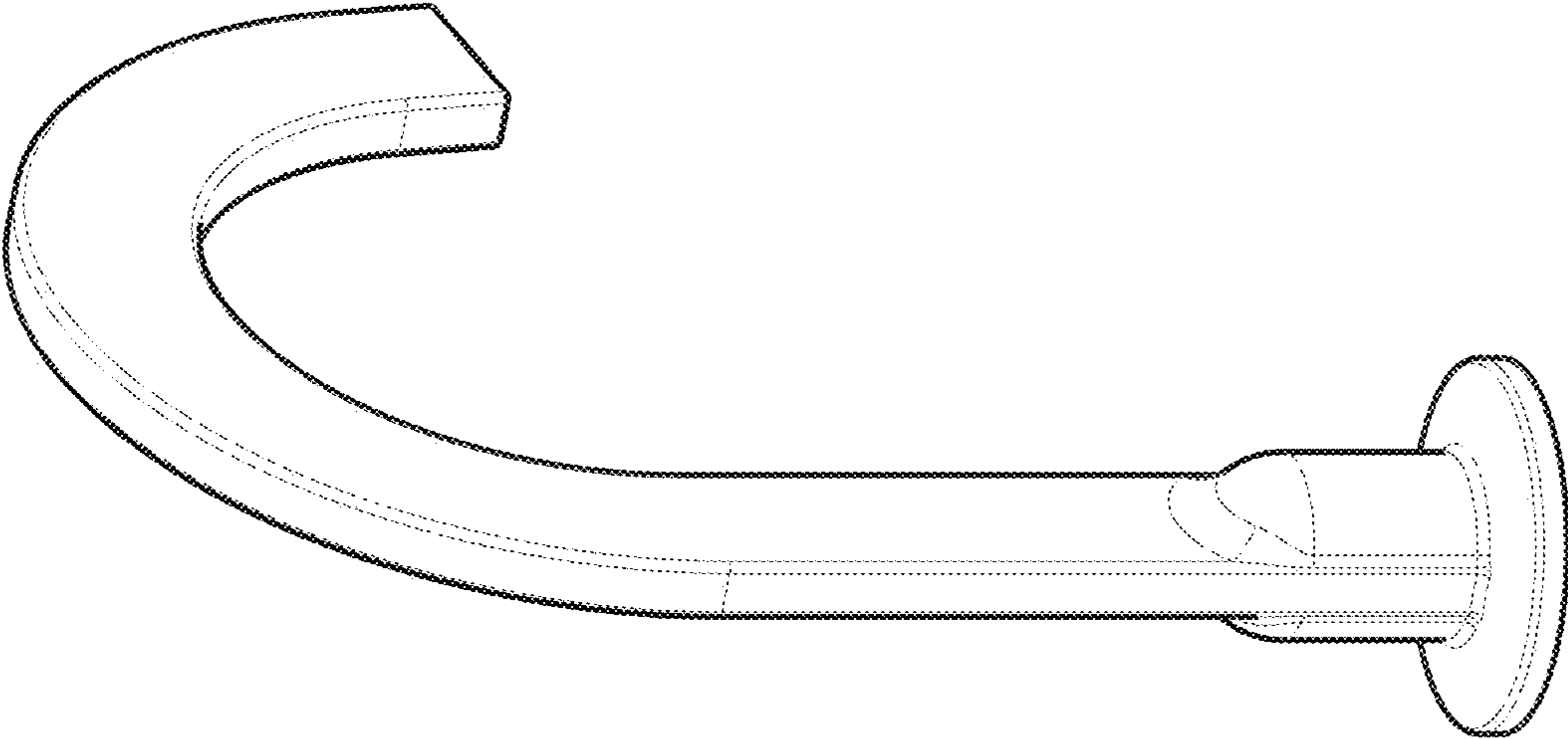


Fig. 1

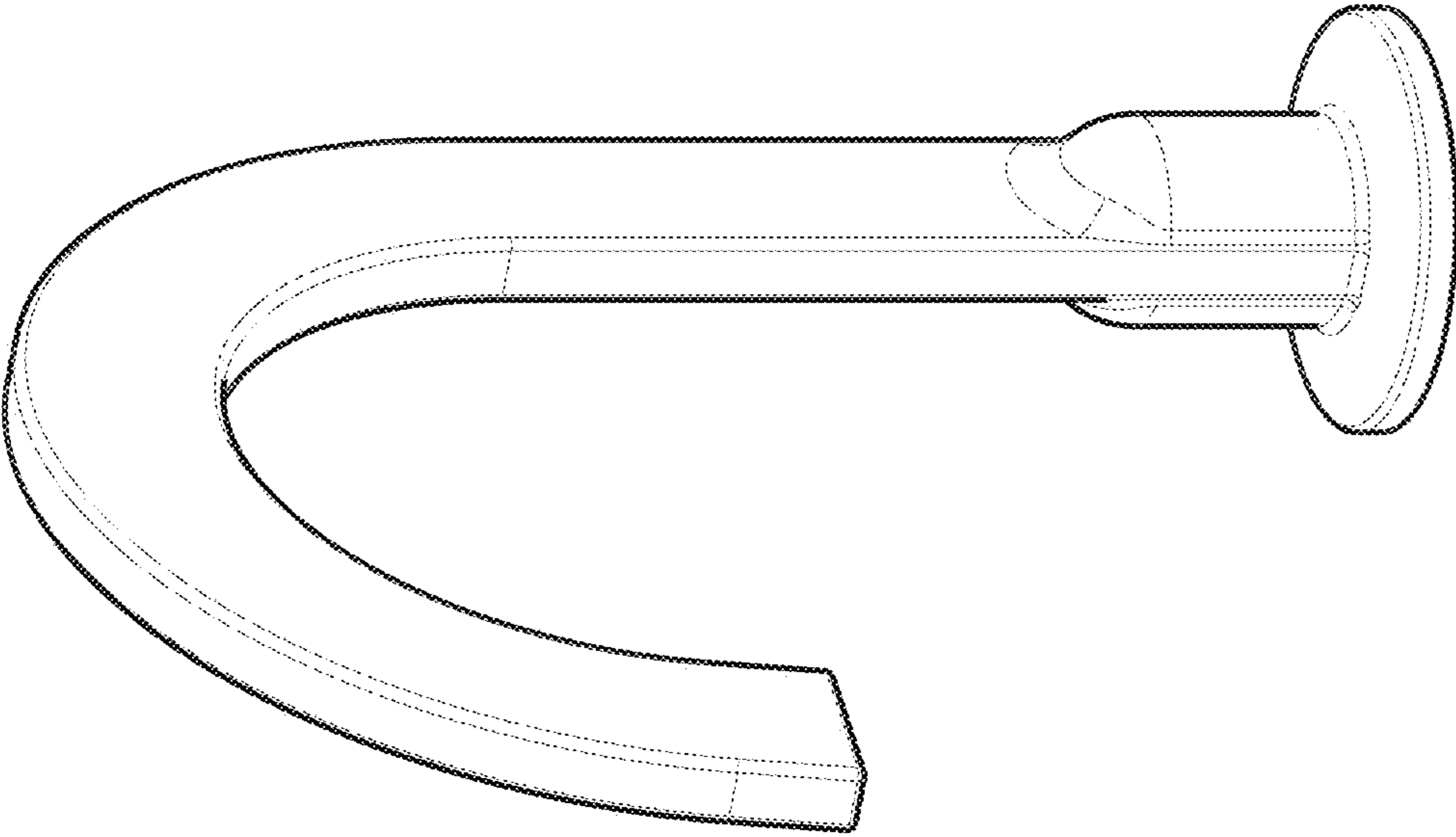


Fig. 2

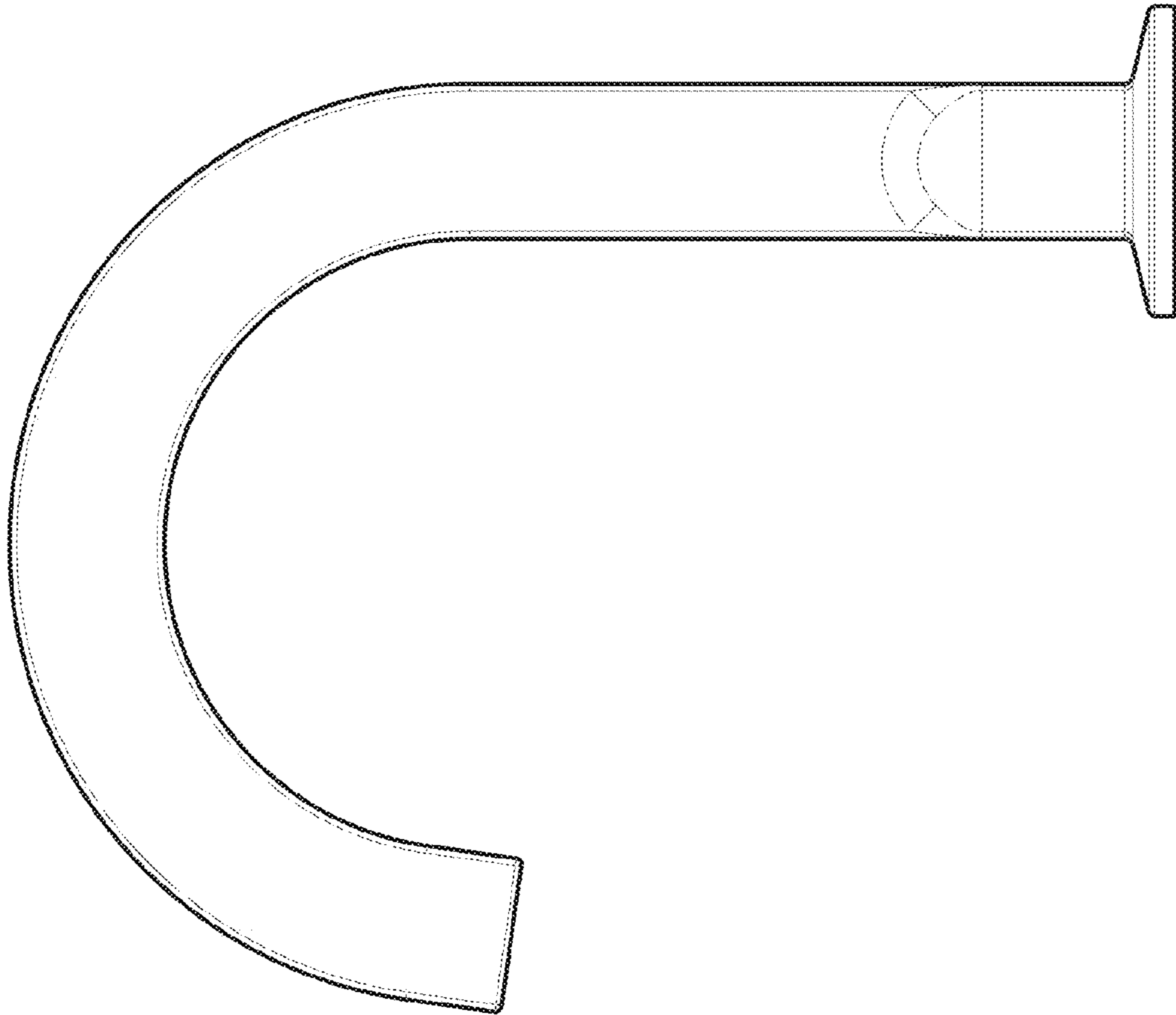


Fig. 3

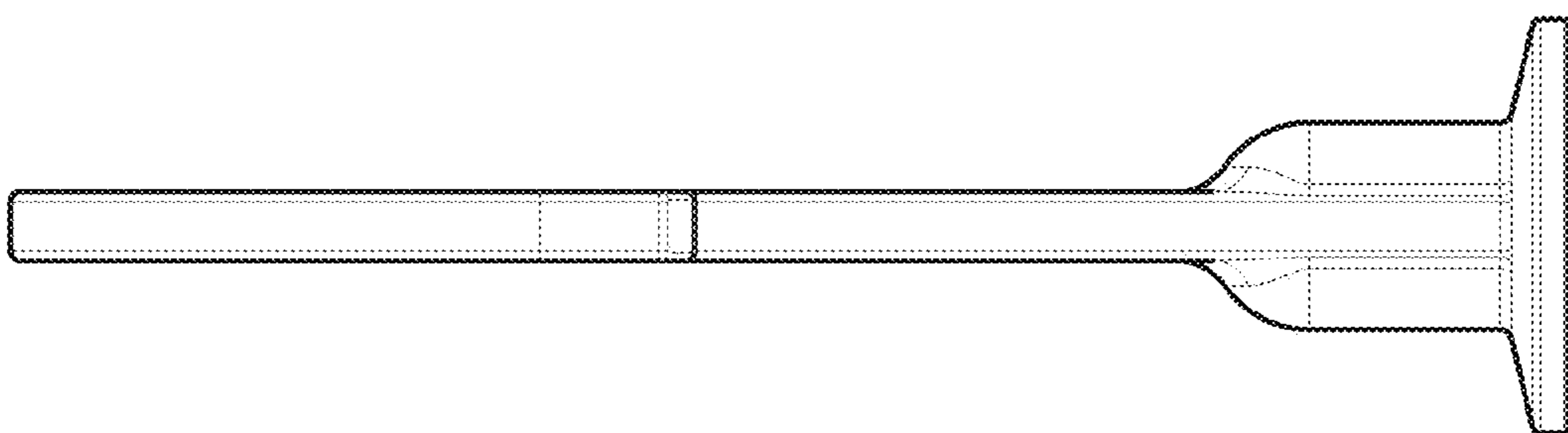


Fig. 4

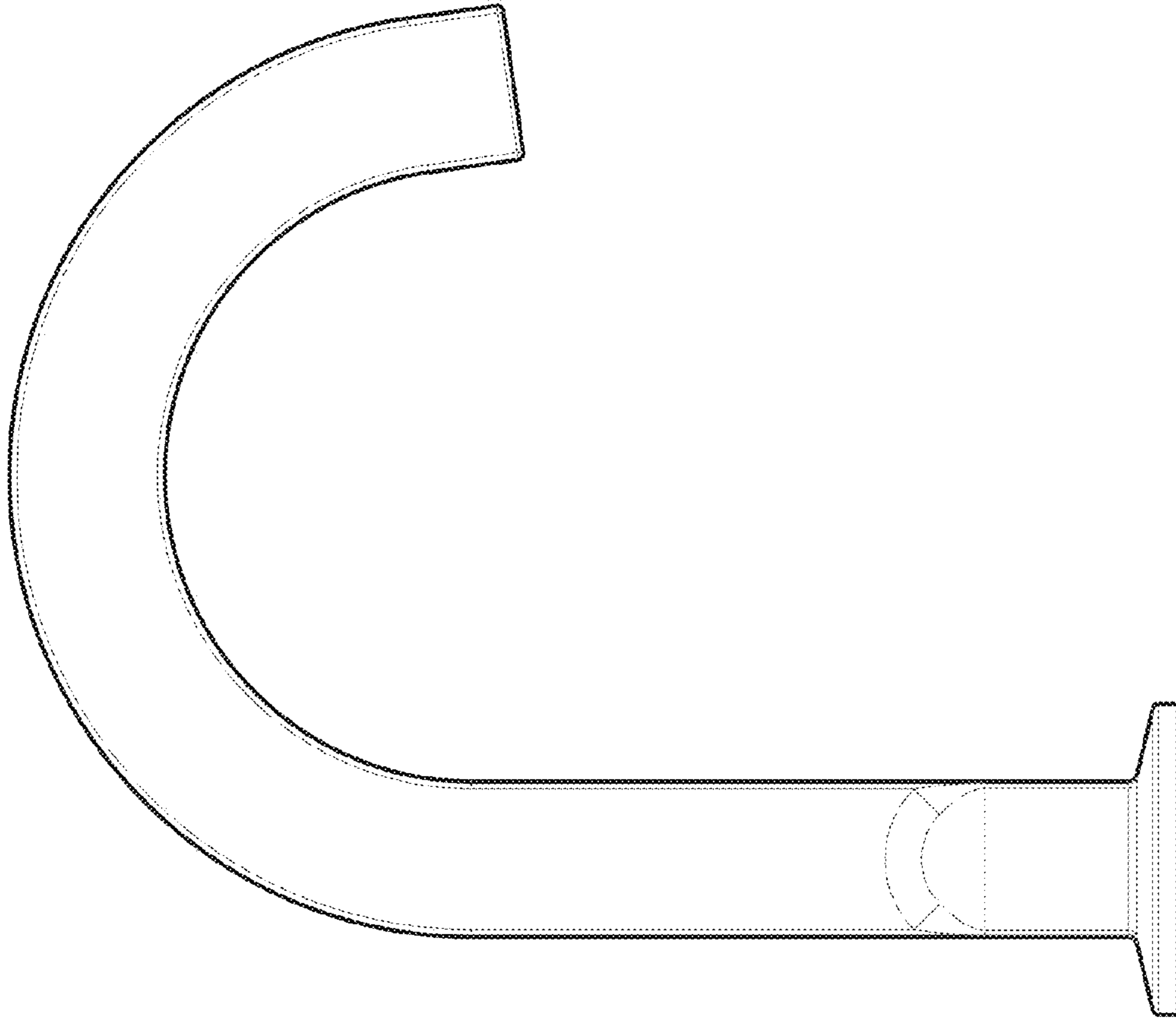


Fig. 6

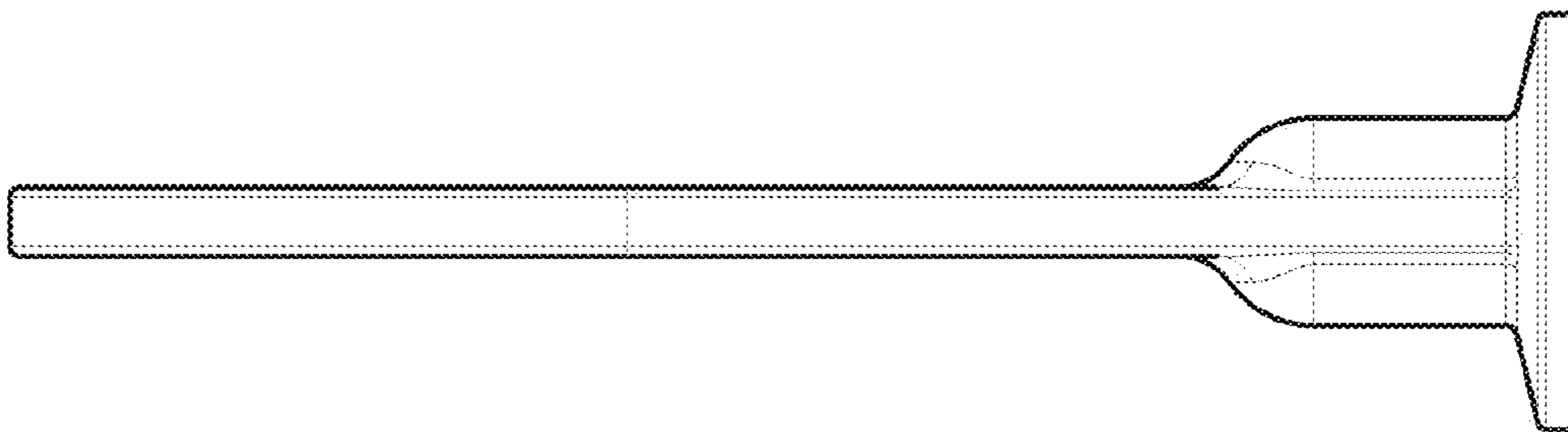


Fig. 5

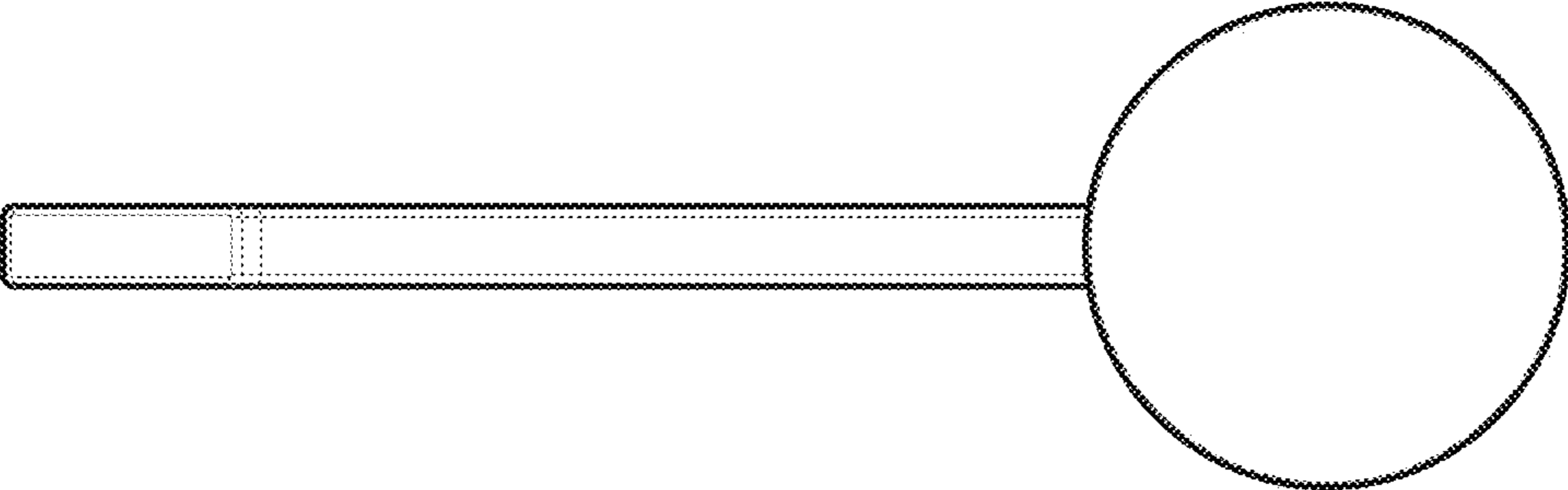


Fig. 8

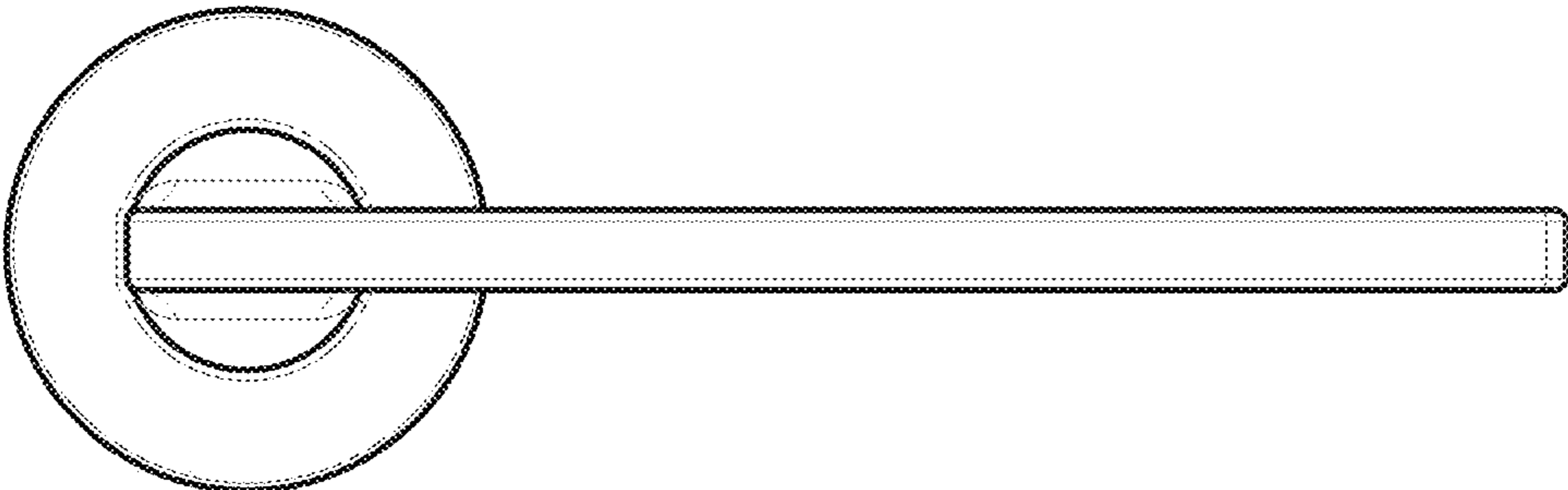


Fig. 7