



US00D870861S

(12) **United States Design Patent** (10) **Patent No.:** **US D870,861 S**
Tentler (45) **Date of Patent:** **** Dec. 24, 2019**

(54) **FAUCET SPOUT**
(71) Applicant: **DELTA FAUCET COMPANY**,
Indianapolis, IN (US)
(72) Inventor: **Anthony Joseph Tentler**, Windfall, IN
(US)
(73) Assignee: **DELTA FAUCET COMPANY**,
Indianapolis, IN (US)
(**) Term: **15 Years**
(21) Appl. No.: **29/641,892**
(22) Filed: **Mar. 26, 2018**
(51) **LOC (12) Cl.** **23-01**
(52) **U.S. Cl.**
USPC **D23/255**
(58) **Field of Classification Search**
USPC D23/238–243, 249, 255–257, 309
CPC ... Y10T 137/9464; E03C 1/04; E03C 1/0404;
E03C 1/0407
See application file for complete search history.

D582,519 S * 12/2008 Lobermeier D23/242
D690,397 S * 9/2013 Flowers D23/255
D718,840 S * 12/2014 Garland D23/252
D755,933 S * 5/2016 Lord D23/255
D789,179 S * 6/2017 Minkovich D8/354

FOREIGN PATENT DOCUMENTS

CN 201630519021 * 10/2016
IN 2789604 * 12/2015

* cited by examiner

Primary Examiner — Sheryl Lane
Assistant Examiner — Samantha N Wood
(74) *Attorney, Agent, or Firm* — Edgar A. Zarins; Nirav
D. Parikh

(57) **CLAIM**

The ornamental design for a faucet spout, as shown and described.

DESCRIPTION

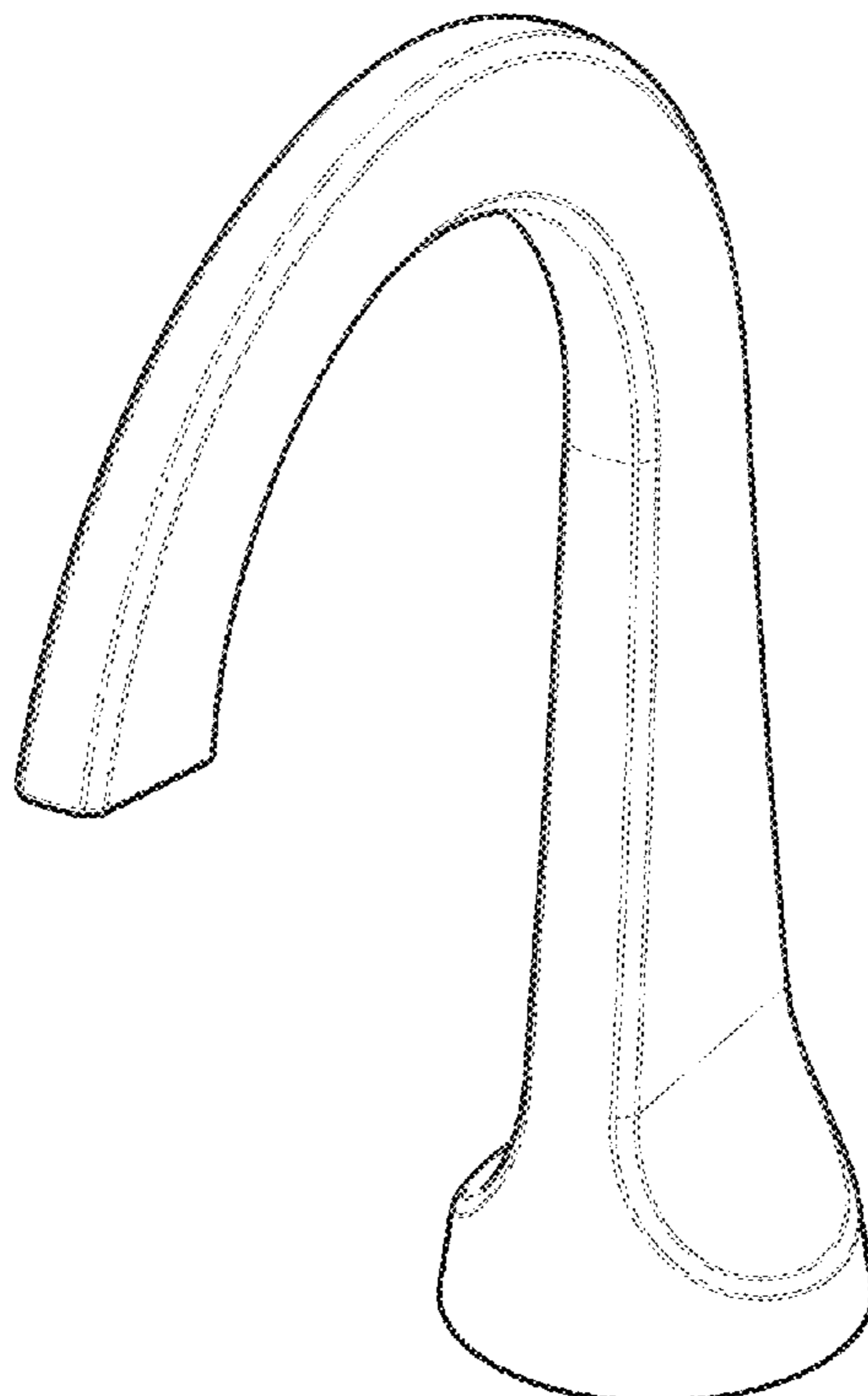
FIG. 1 is a front perspective view of a faucet spout showing my new design;
FIG. 2 is a rear perspective view thereof;
FIG. 3 is a front elevational view thereof;
FIG. 4 is a left side view thereof;
FIG. 5 is a rear view thereof;
FIG. 6 is a right side view thereof;
FIG. 7 is a top plan view thereof; and,
FIG. 8 is a bottom view thereof.

1 Claim, 4 Drawing Sheets

(56) **References Cited**

U.S. PATENT DOCUMENTS

D139,354 S * 11/1944 Trombley D23/241
D364,220 S * 11/1995 Hill D23/255
D368,958 S * 4/1996 Hill D23/255
D519,617 S * 4/2006 Hoernig D23/255
D566,238 S * 4/2008 Lammel D23/239
D579,089 S * 10/2008 Dolan D23/255
D582,517 S * 12/2008 Lobermeier D23/238



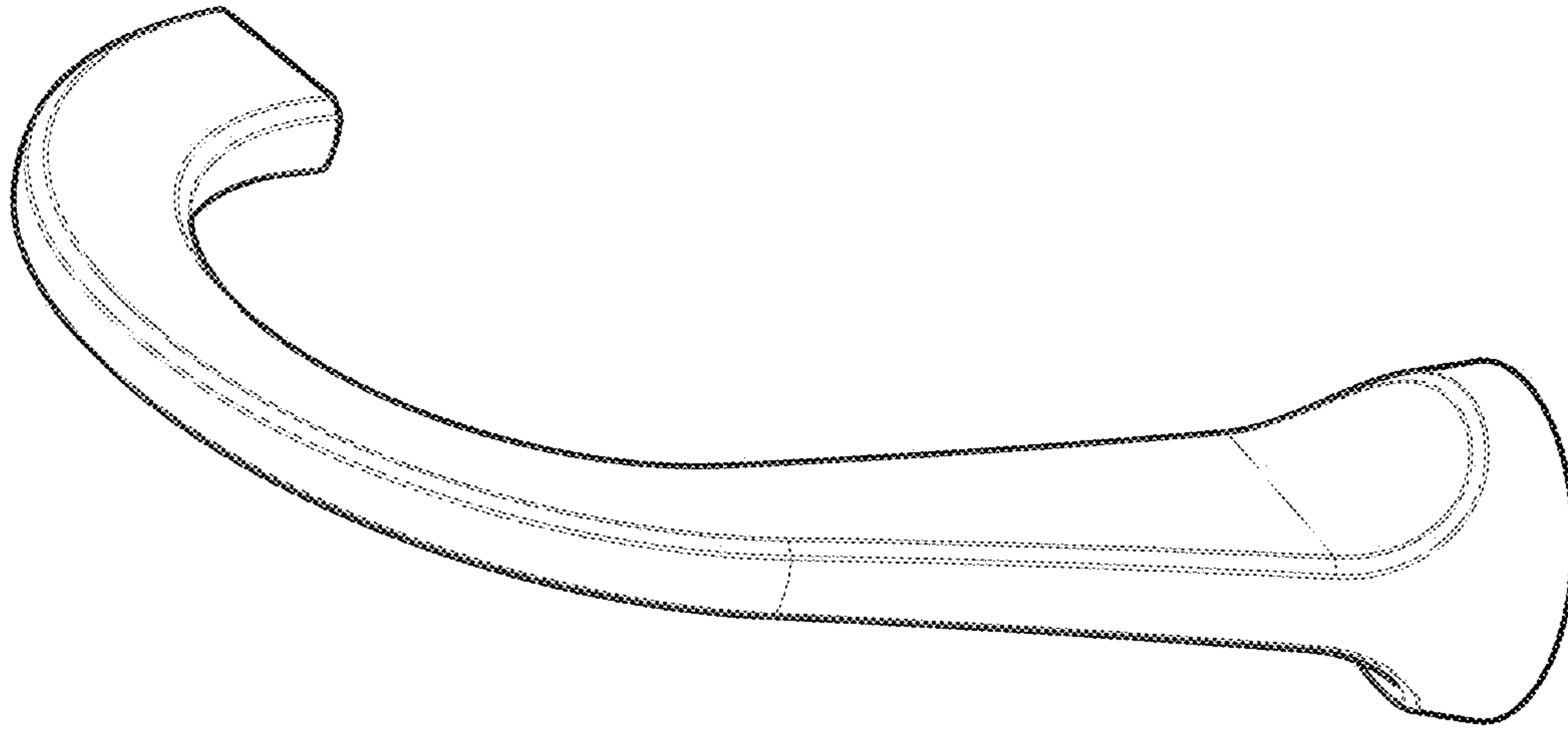


Fig. 2

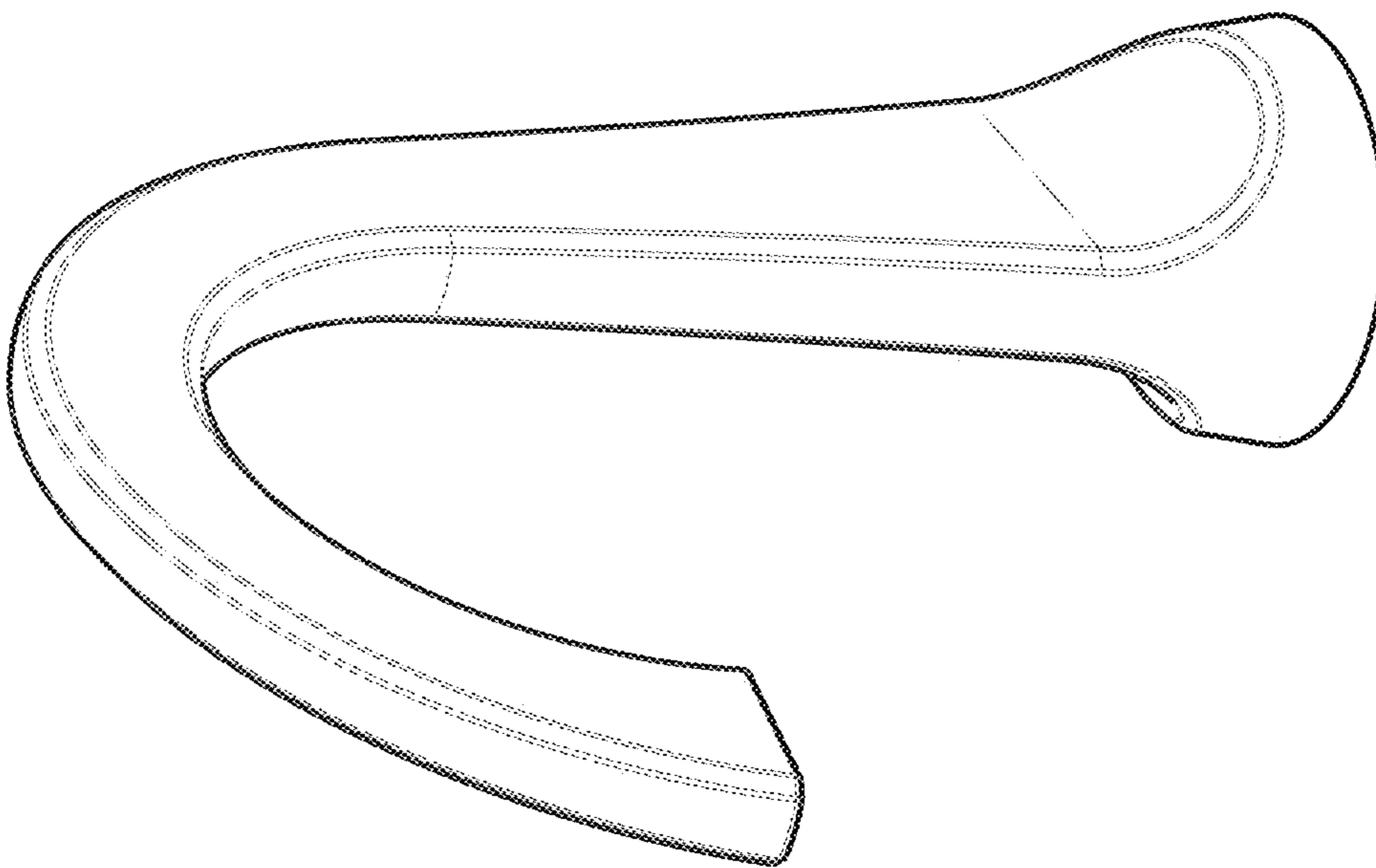


Fig. 1

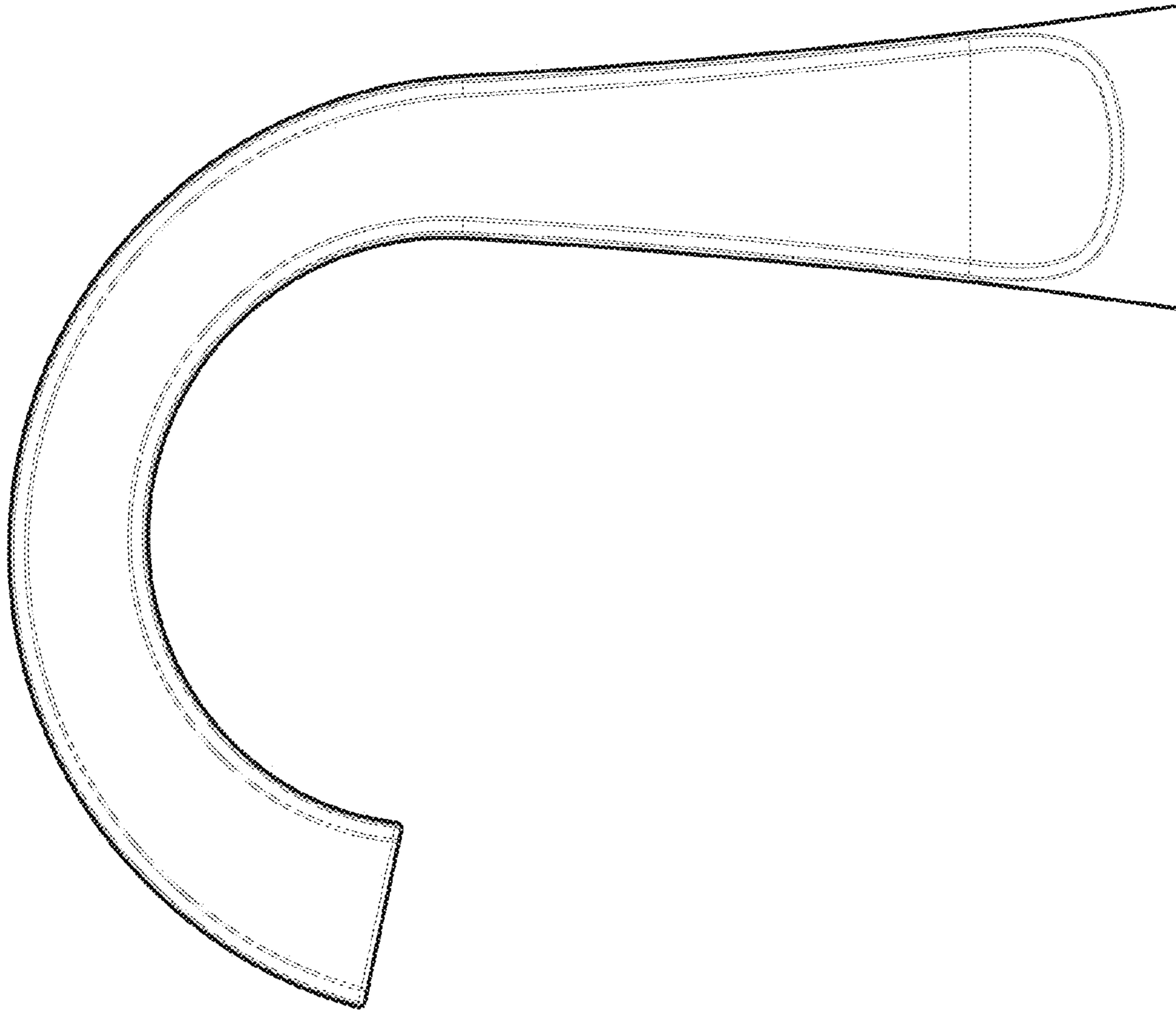


Fig. 3

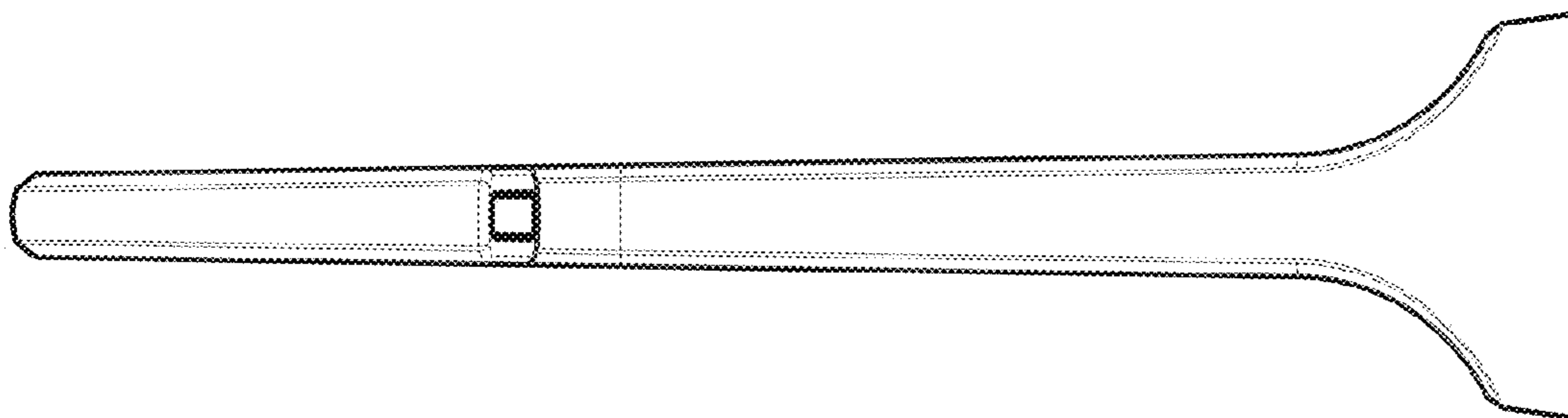


Fig. 4

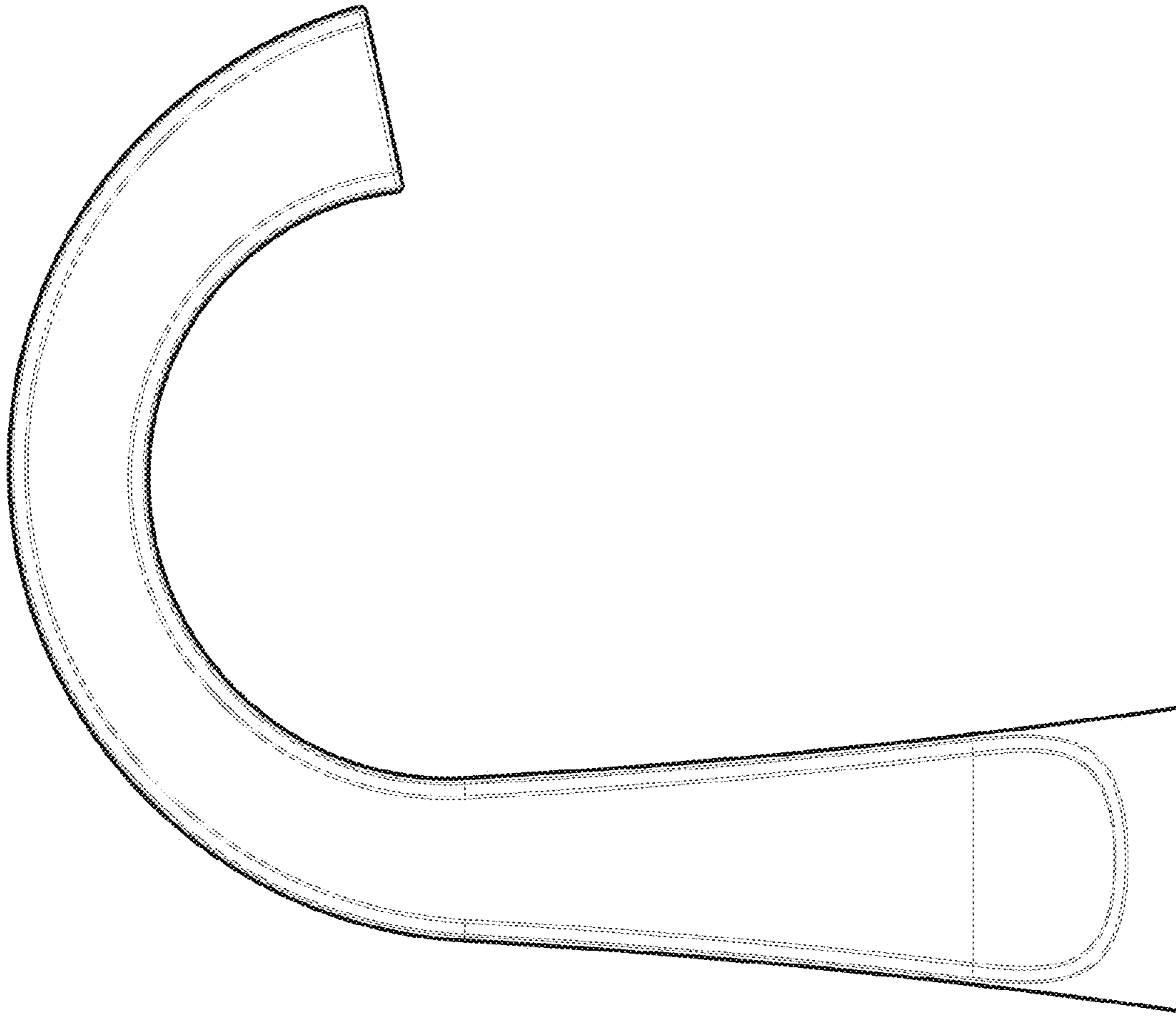


Fig. 5

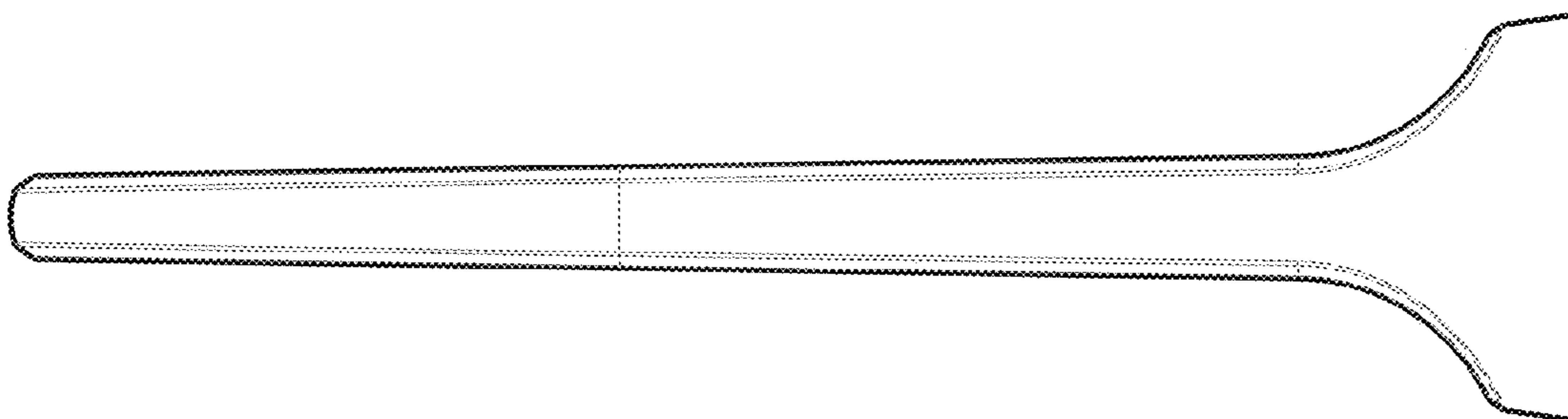


Fig. 6

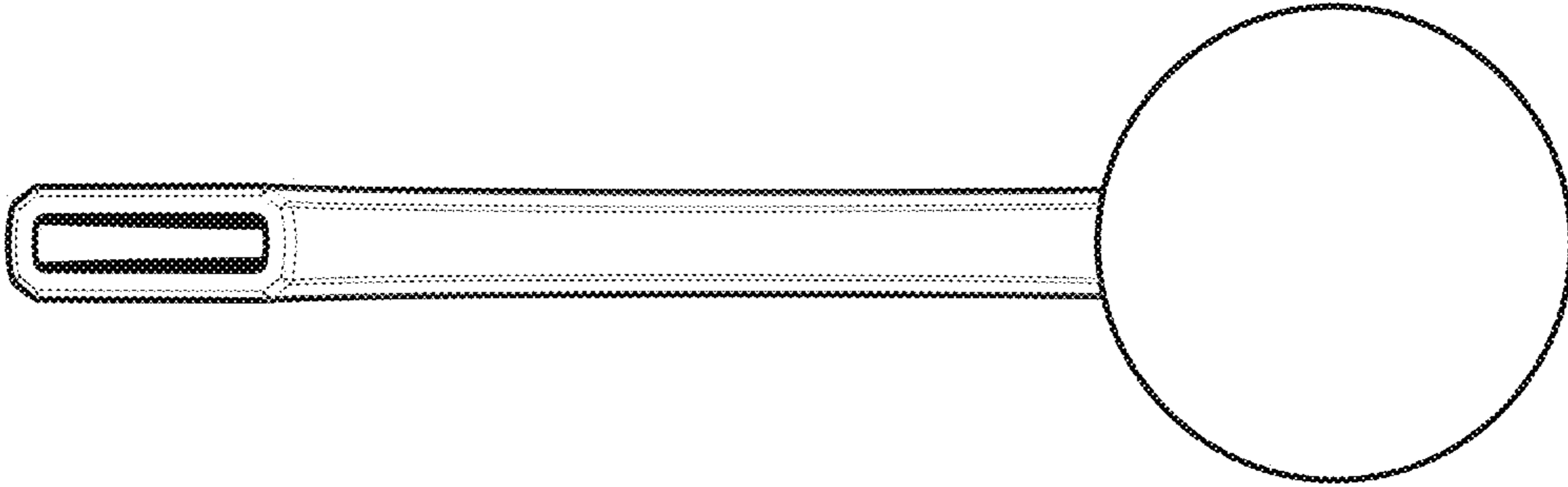


Fig. 8

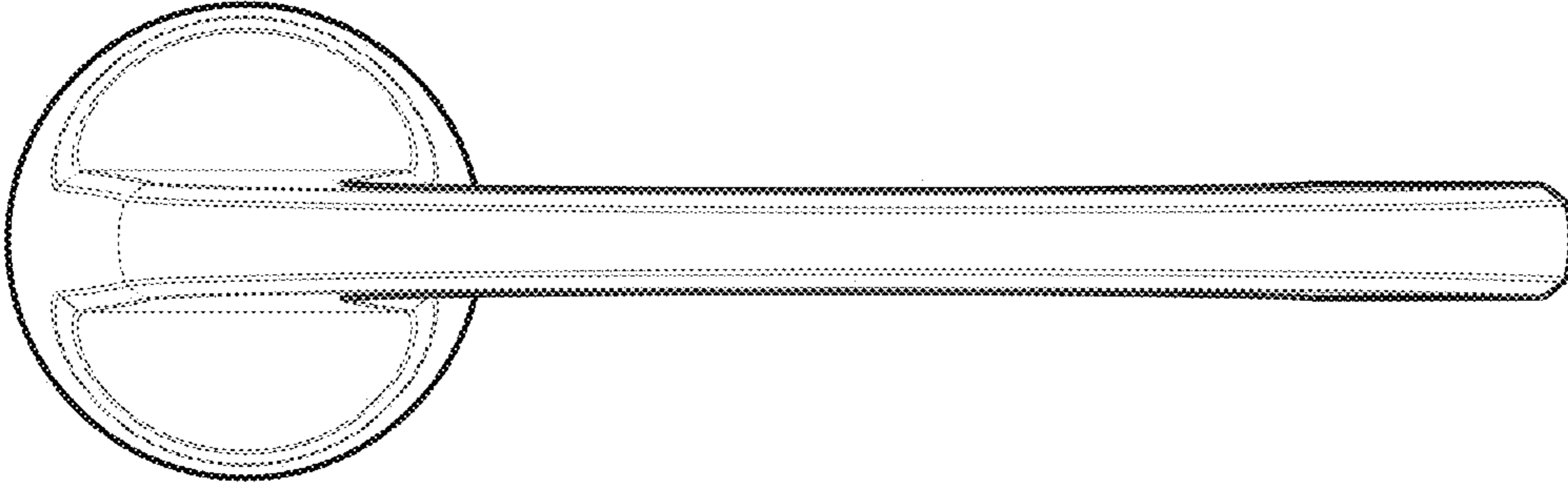


Fig. 7