

US00D870858S

(12) **United States Design Patent**
Garland

(10) **Patent No.:** **US D870,858 S**

(45) **Date of Patent:** **** Dec. 24, 2019**

(54) **FAUCET HANDLE**

(71) Applicant: **DELTA FAUCET COMPANY,**
Indianapolis, IN (US)

(72) Inventor: **Celine Kwok Garland,** Zionsville, IN
(US)

(73) Assignee: **DELTA FAUCET COMPANY,**
Indianapolis, IN (US)

(**) Term: **15 Years**

(21) Appl. No.: **29/632,659**

(22) Filed: **Jan. 9, 2018**

(51) **LOC (12) Cl.** **23-01**

(52) **U.S. Cl.**
USPC **D23/253**

(58) **Field of Classification Search**
USPC D23/238-243, 249, 250-251, 252-255,
D23/257, 309; D8/300, 307, 308
CPC Y10T 137/9464; E03C 1/04; E03C 1/0412
See application file for complete search history.

(56) **References Cited**

U.S. PATENT DOCUMENTS

D72,772 S * 5/1927 Kipper D8/307
D462,418 S * 9/2002 Smith D23/238

D524,916 S * 7/2006 Schaffeld D23/241
D530,790 S * 10/2006 Kohler, Jr. D23/252
D570,455 S * 6/2008 Dolan D23/250
D574,064 S * 7/2008 Hanna D23/257
D672,437 S * 12/2012 Kwok D23/253
D676,939 S * 2/2013 Kwok D23/253
D731,029 S * 6/2015 Fritz D23/253
D796,642 S * 9/2017 Andrew D23/253

* cited by examiner

Primary Examiner — Sheryl Lane

Assistant Examiner — Samantha N Wood

(74) *Attorney, Agent, or Firm* — Edgar A. Zarins; Nirav
D. Parikh

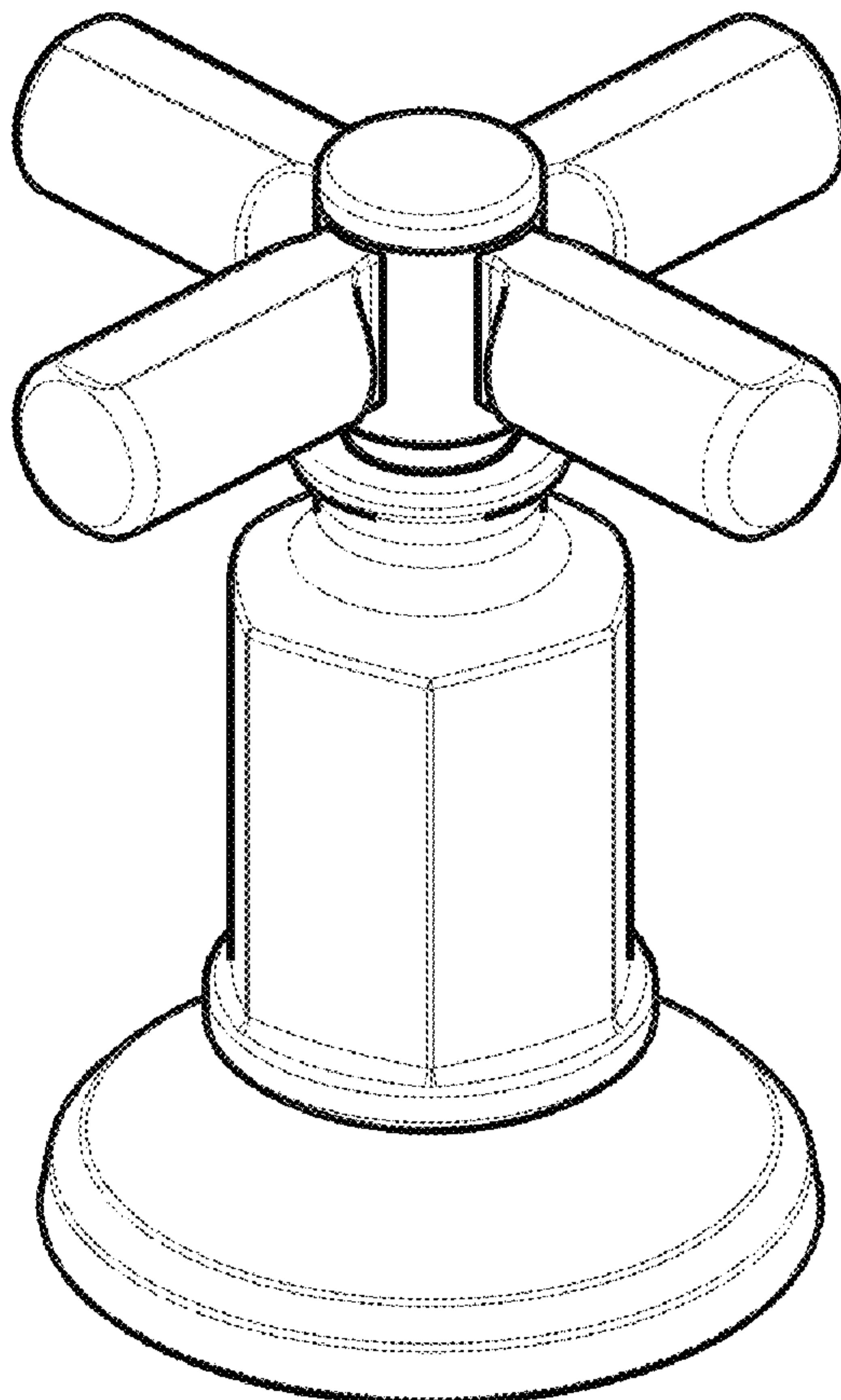
(57) **CLAIM**

The ornamental design for a faucet handle, as shown and
described.

DESCRIPTION

FIG. 1 is a first perspective view of a faucet handle showing
my new design;
FIG. 2 is a second perspective view thereof;
FIG. 3 is a bottom view thereof;
FIG. 4 is a top plan view thereof; and,
FIG. 5 is a first side view thereof, the other sides being a
mirror image of the side shown.

1 Claim, 2 Drawing Sheets



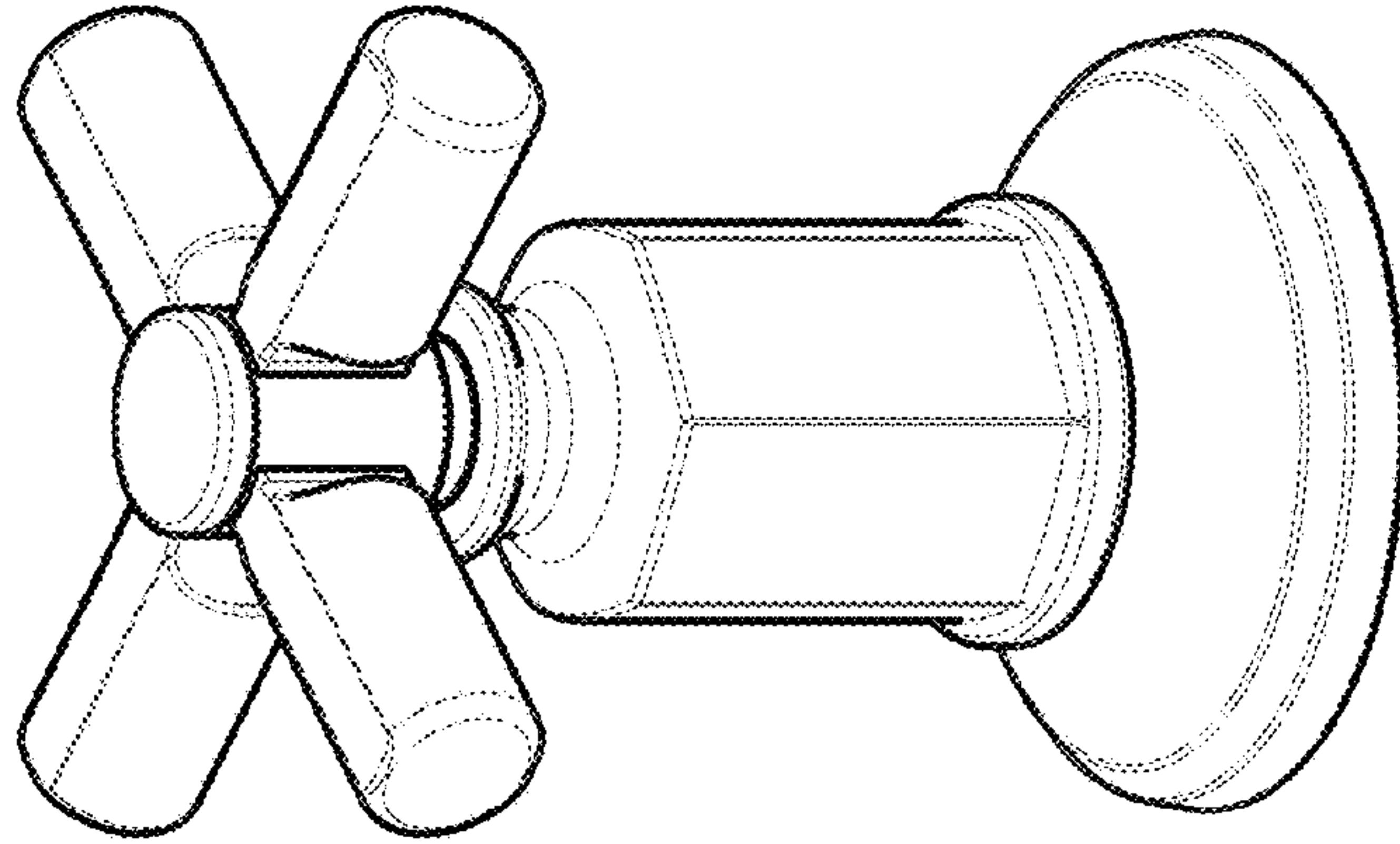


Fig. 1

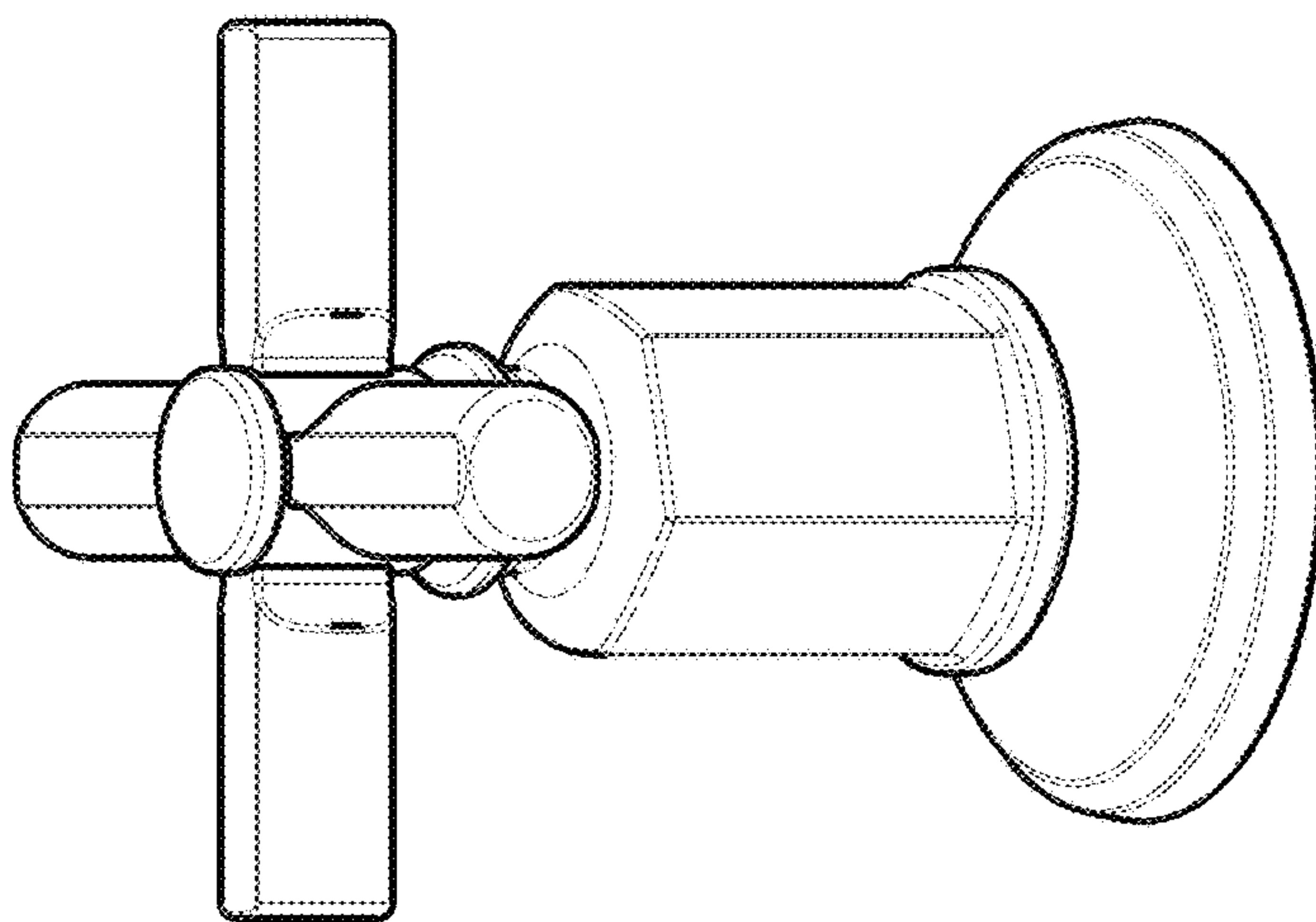


Fig. 2

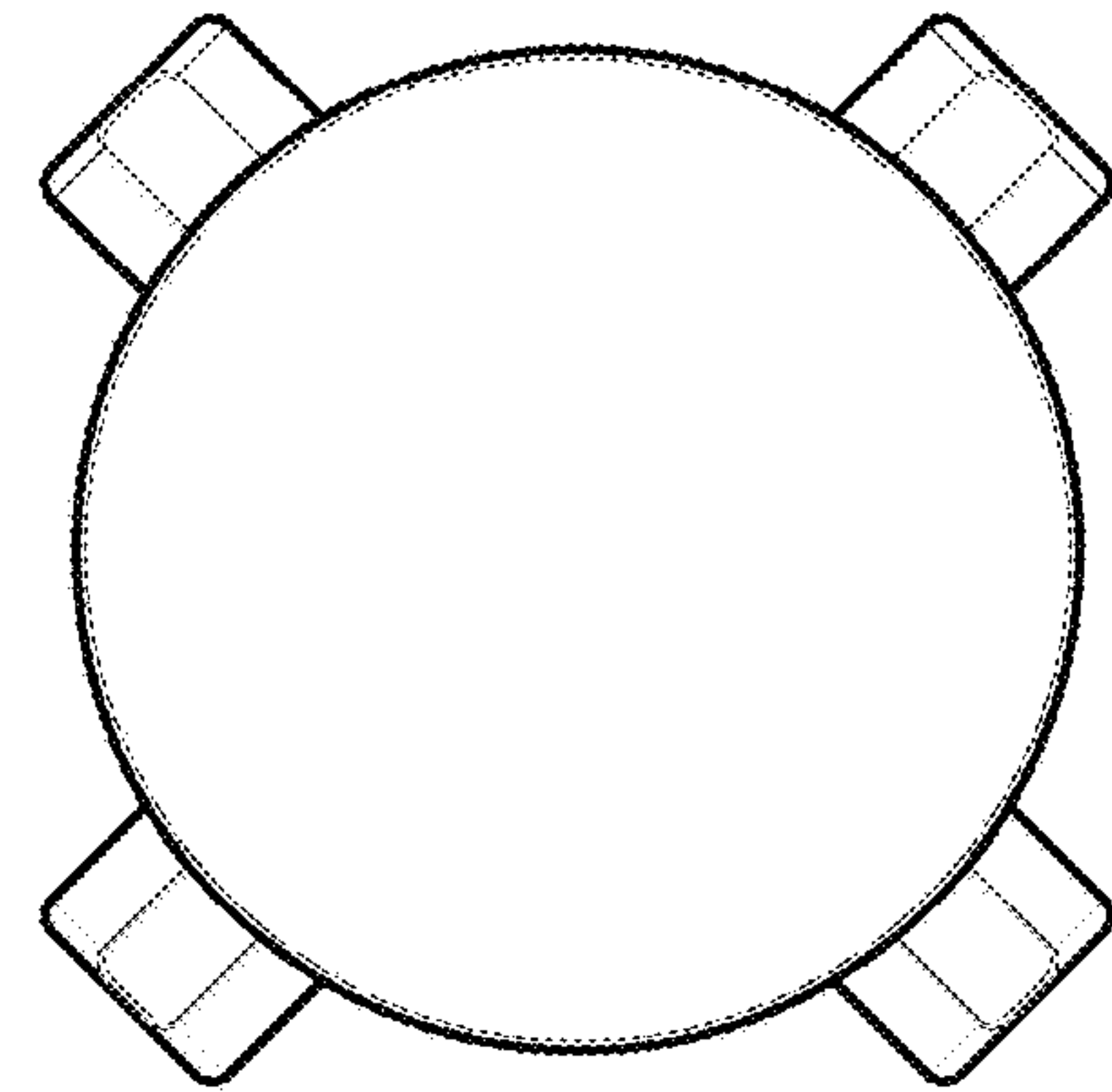


Fig. 3

Fig. 4

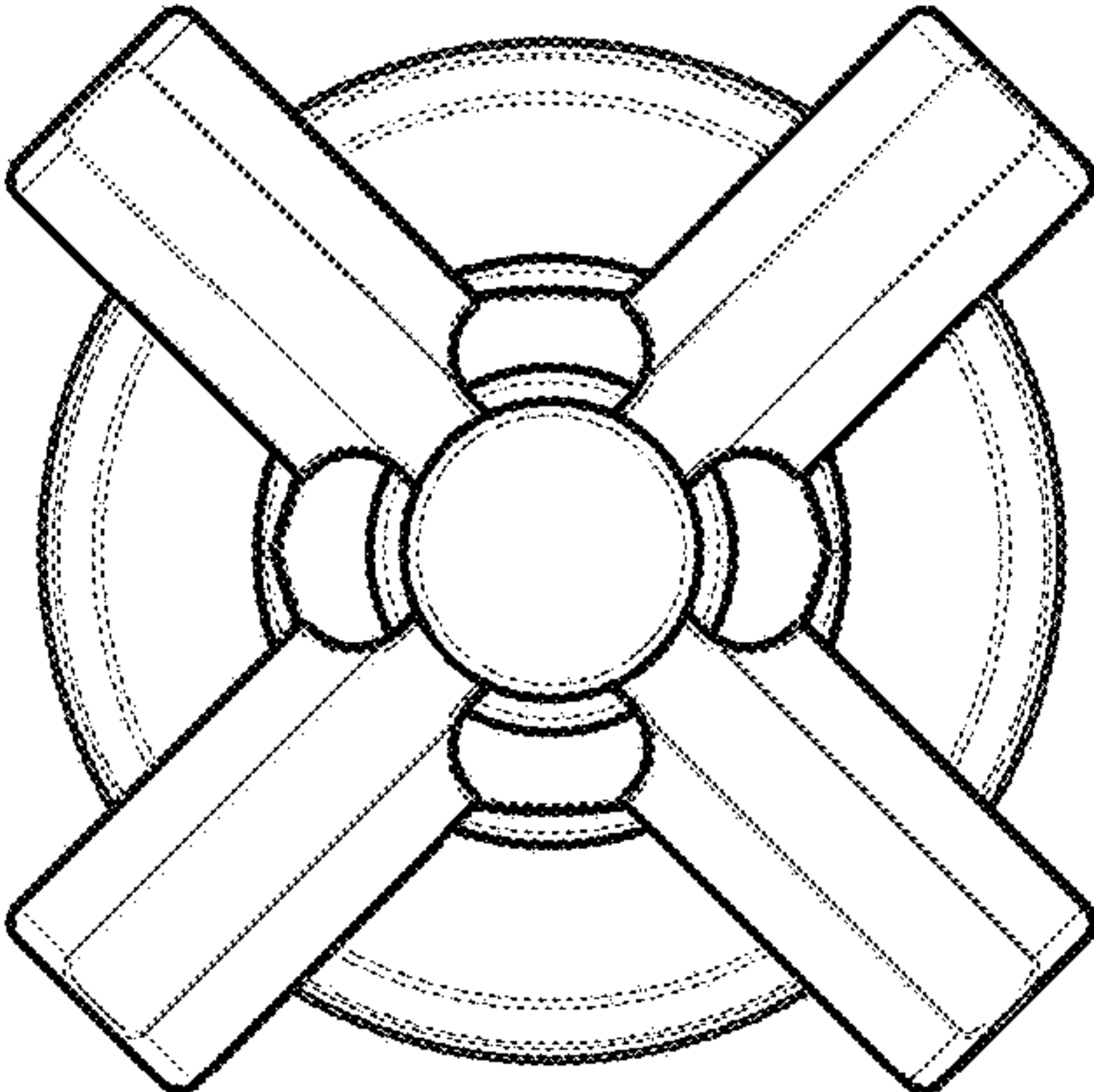


Fig. 5

