

US00D870857S

(12) **United States Design Patent** (10) **Patent No.:** **US D870,857 S**
Tentler (45) **Date of Patent:** **** Dec. 24, 2019**

(54) **FAUCET HANDLE**
(71) Applicant: **DELTA FAUCET COMPANY**,
Indianapolis, IN (US)
(72) Inventor: **Anthony Joseph Tentler**, Windfall, IN
(US)
(73) Assignee: **DELTA FAUCET COMPANY**,
Indianapolis, IN (US)
(**) Term: **15 Years**
(21) Appl. No.: **29/642,184**
(22) Filed: **Mar. 28, 2018**
(51) **LOC (12) Cl.** **23-01**
(52) **U.S. Cl.**
USPC **D23/252**
(58) **Field of Classification Search**
USPC D23/238-243, 249, 250-251, 252-255,
D23/257, 309; D8/300, 307, 308
CPC Y10T 137/9464; E03C 1/04; E03C 1/0412
See application file for complete search history.

D513,791 S * 1/2006 Kosasih D23/252
D676,529 S * 2/2013 Lord D23/252
D704,806 S * 5/2014 Boeltl D23/255
D716,658 S * 11/2014 Sillince D9/447
D724,698 S * 3/2015 Kulig D23/252

FOREIGN PATENT DOCUMENTS

JP D2002-27516 * 10/2002

* cited by examiner

Primary Examiner — Sheryl Lane

Assistant Examiner — Samantha N Wood

(74) *Attorney, Agent, or Firm* — Edgar A. Zarins; Nirav D. Parikh

(57) **CLAIM**

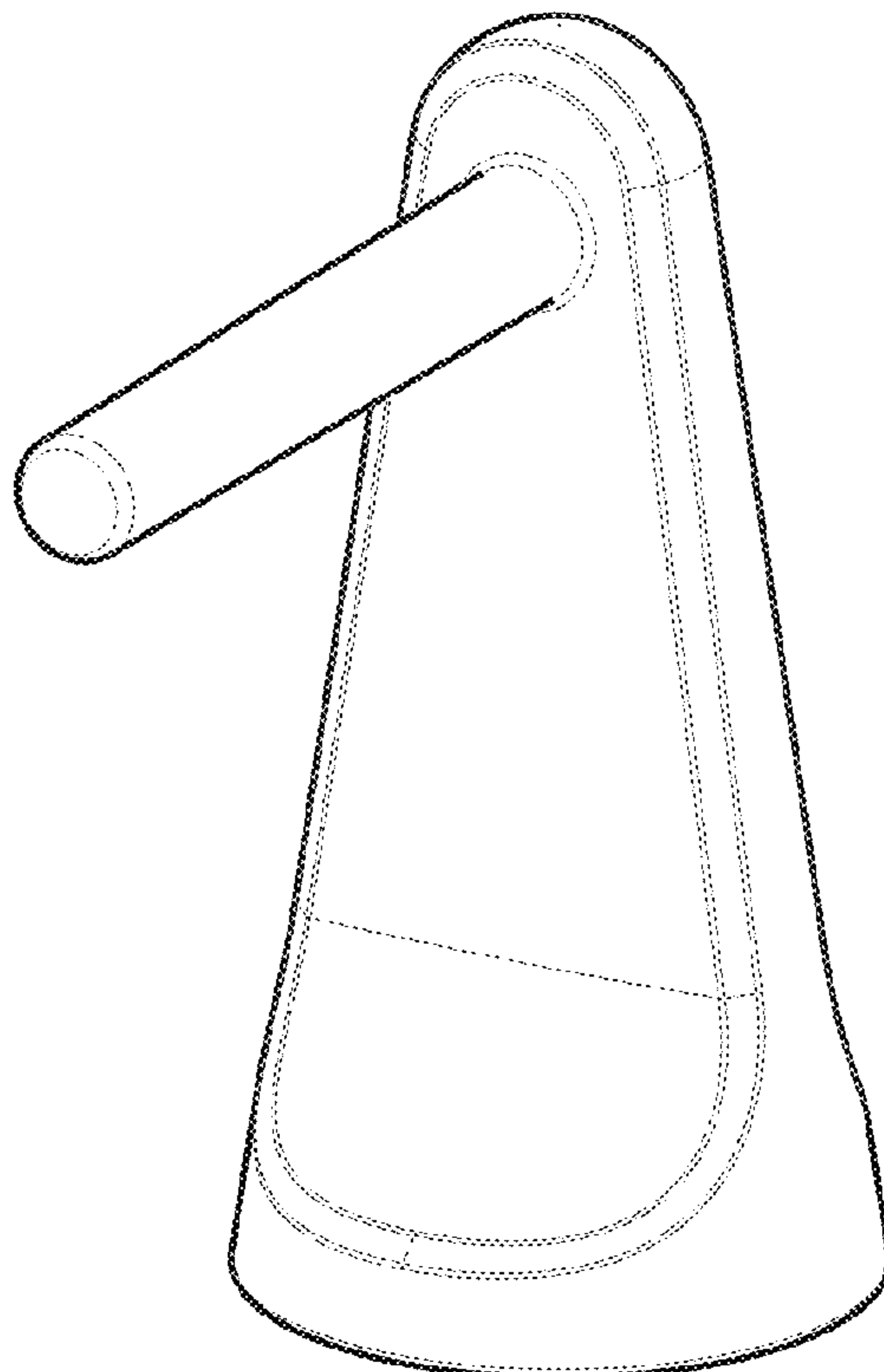
The ornamental design for a faucet handle, as shown and described.

DESCRIPTION

FIG. 1 is a first perspective view of a faucet handle showing my new design;
FIG. 2 is a second perspective view thereof;
FIG. 3 is a first side view thereof;
FIG. 4 is a front view thereof;
FIG. 5 is a second side view thereof;
FIG. 6 is a rear view thereof;
FIG. 7 is a top plan view thereof; and,
FIG. 8 is a bottom plan view thereof.

1 Claim, 4 Drawing Sheets

(56) **References Cited**
U.S. PATENT DOCUMENTS
4,334,492 A * 6/1982 Klingler G05G 1/10
116/309
D272,468 S * 1/1984 Bulgarelli D23/250
D316,895 S * 5/1991 Hill D23/255
D346,645 S * 5/1994 Hill D23/255
D368,958 S * 4/1996 Hill D23/255



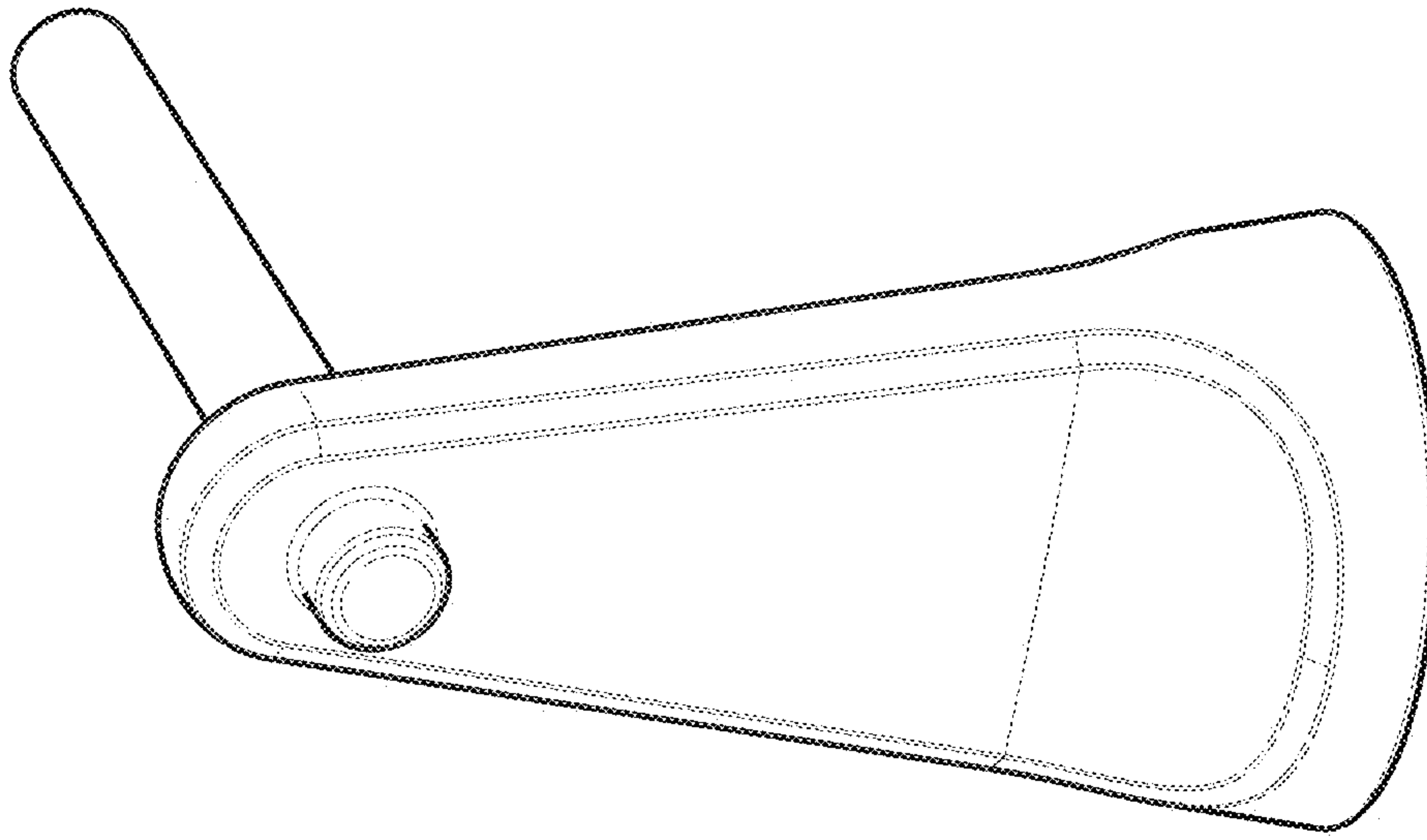


Fig. 2

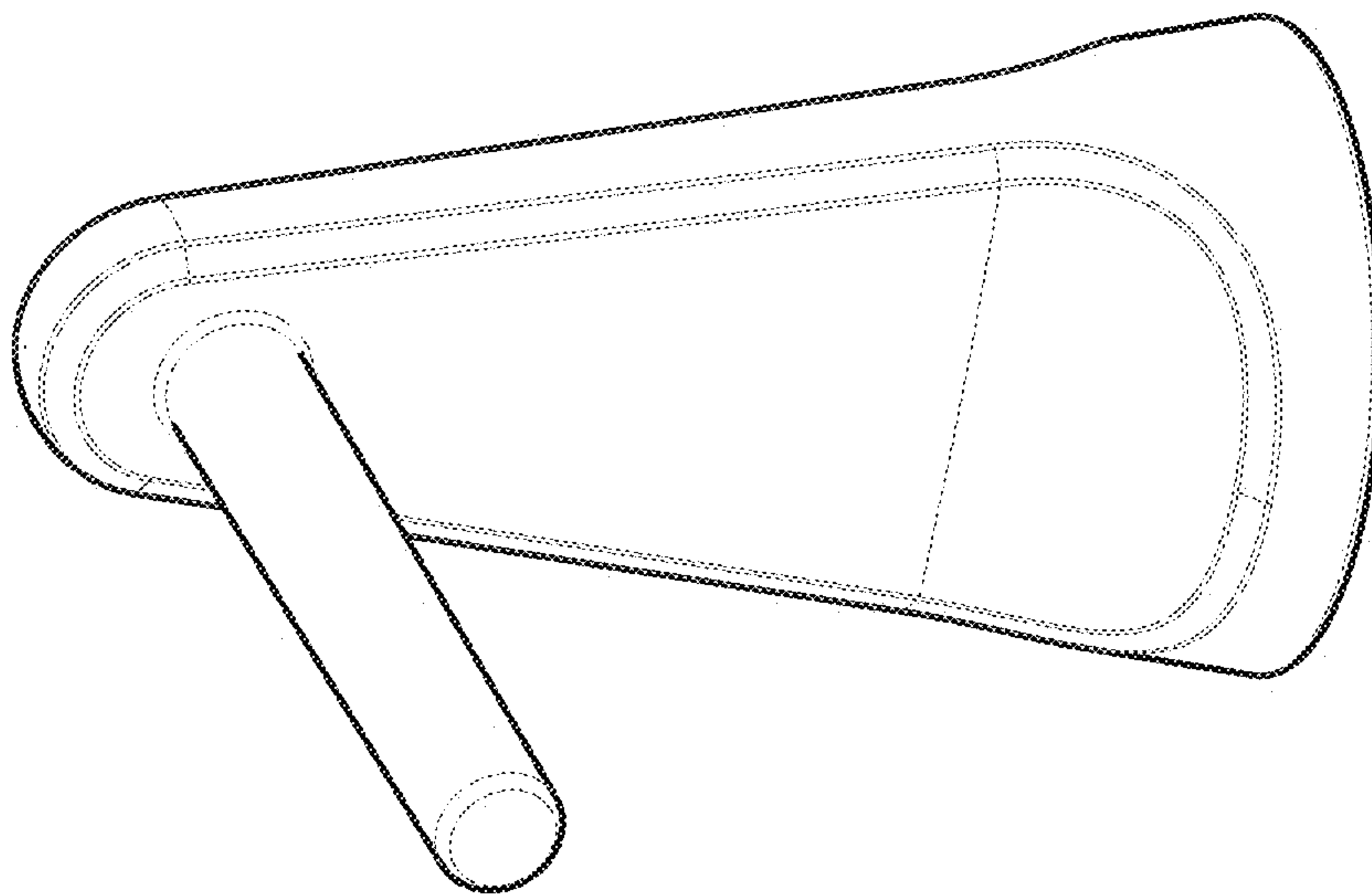


Fig. 1

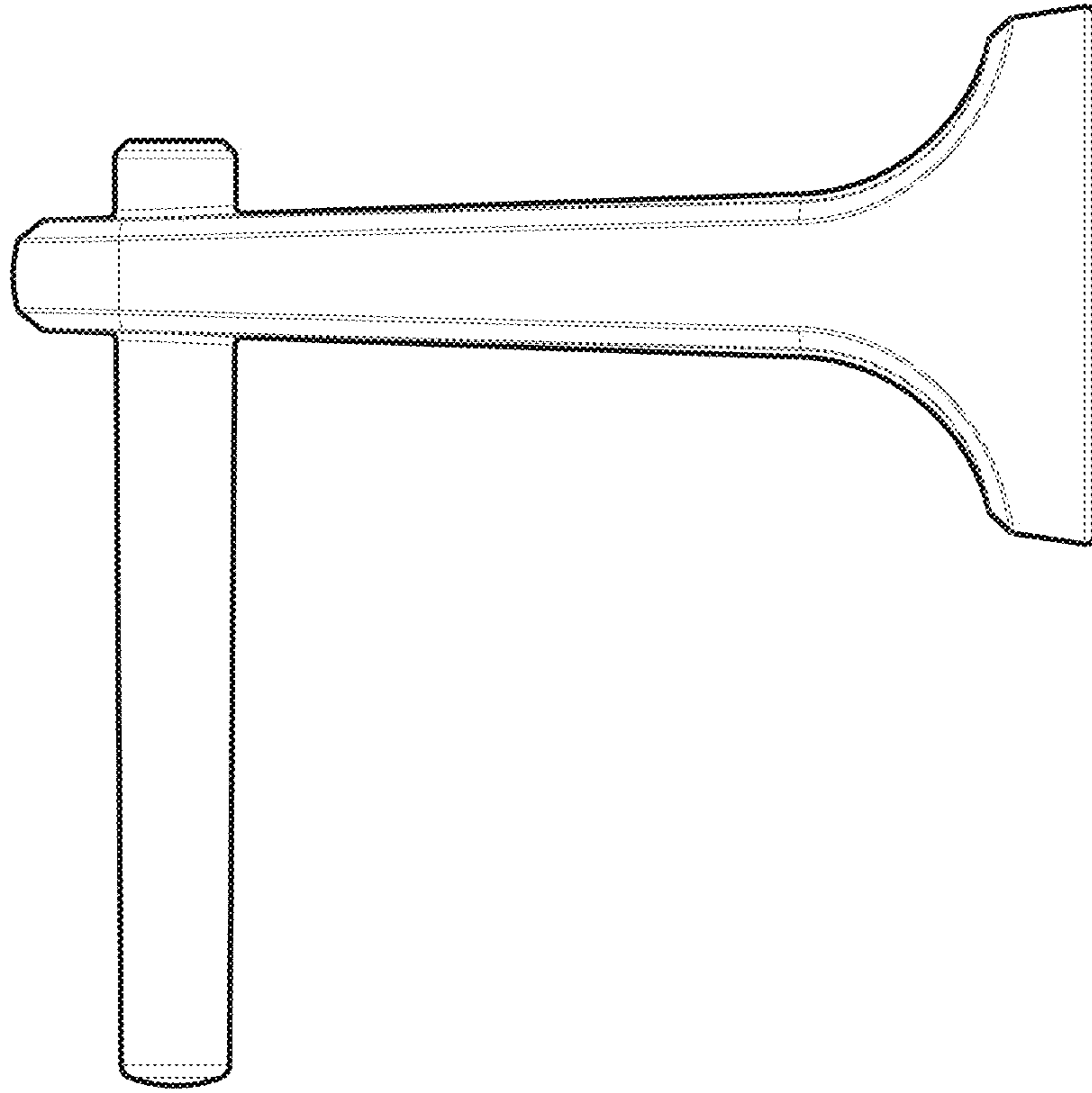


Fig. 4

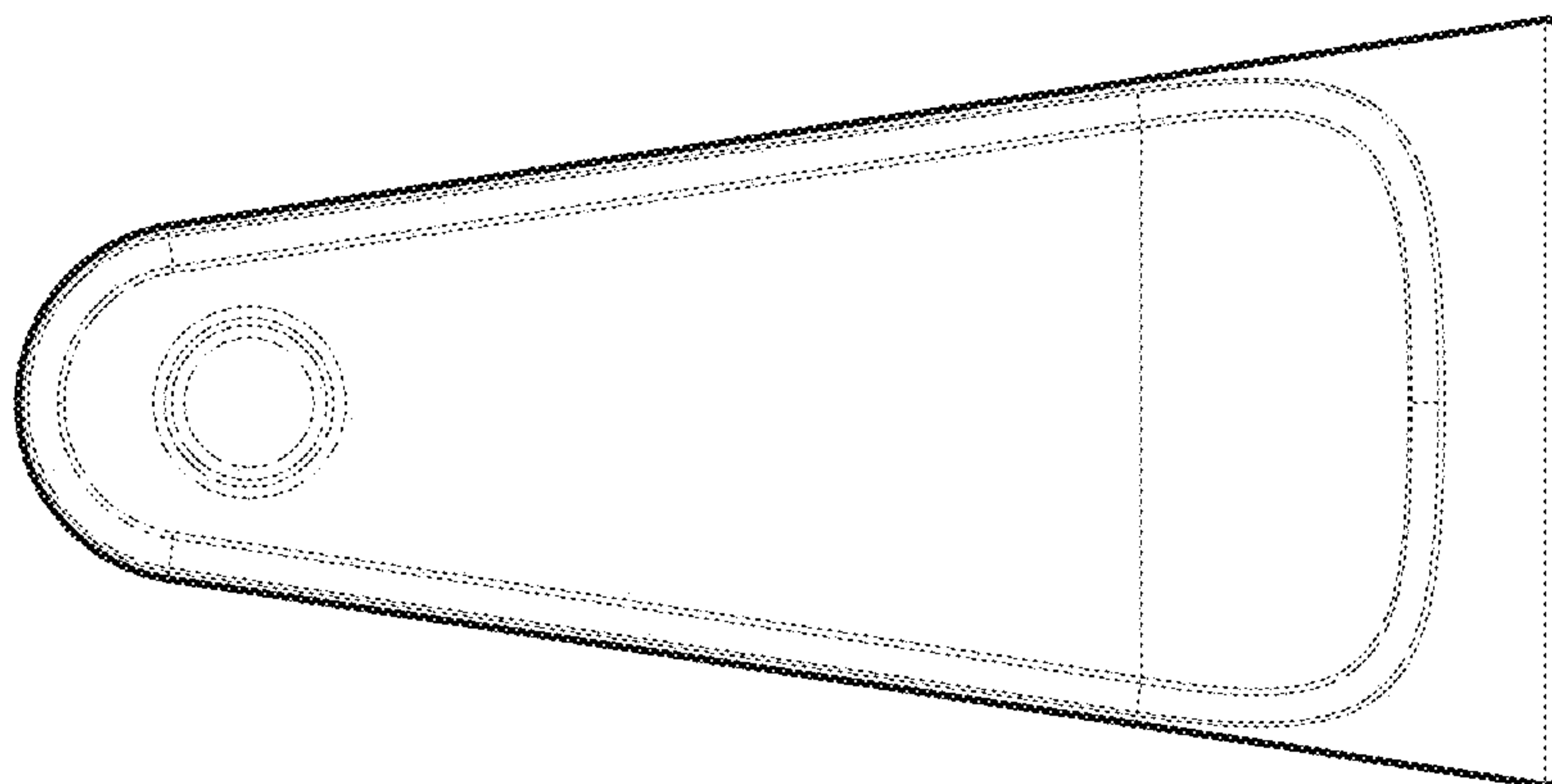


Fig. 3

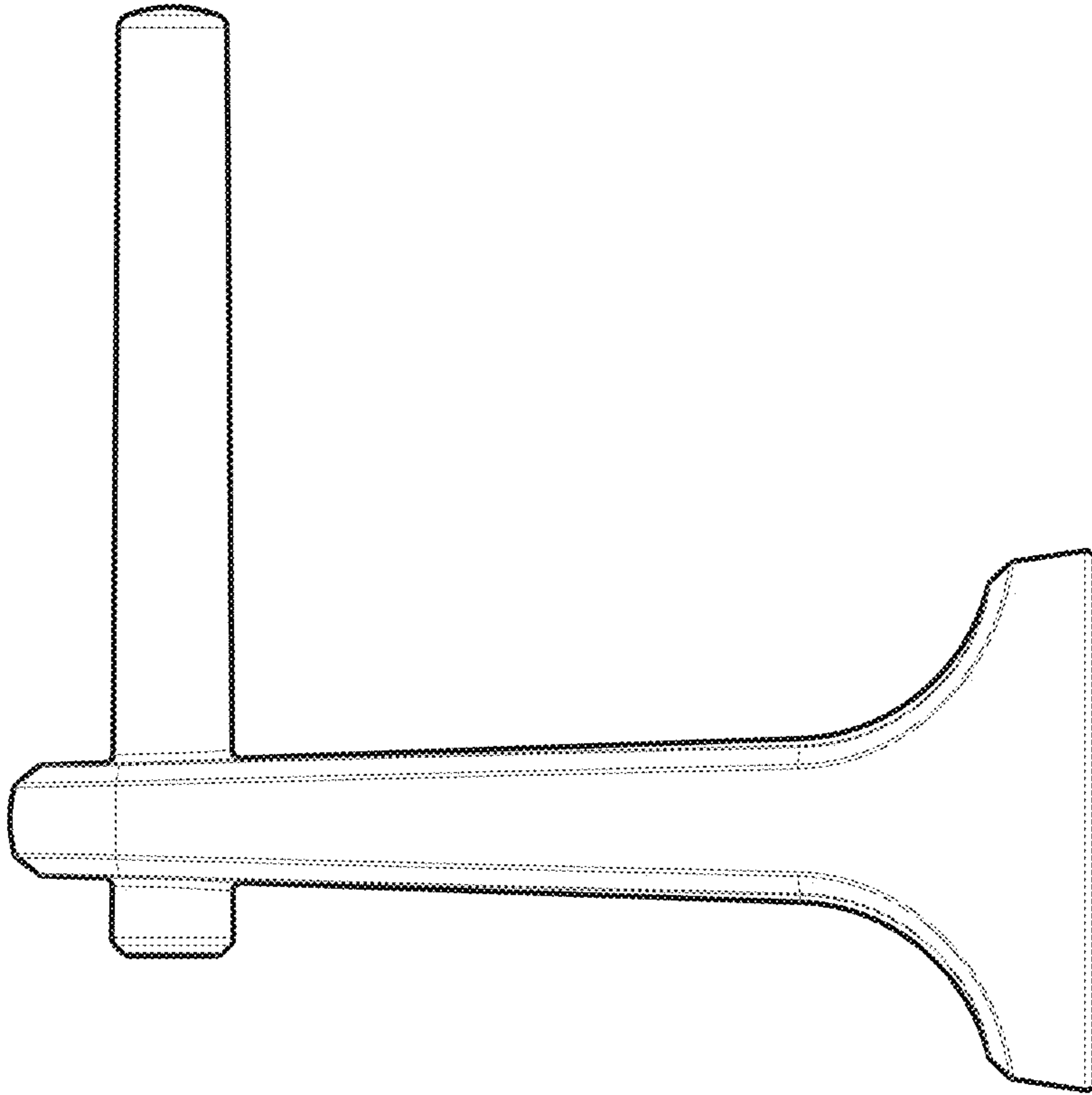


Fig. 5

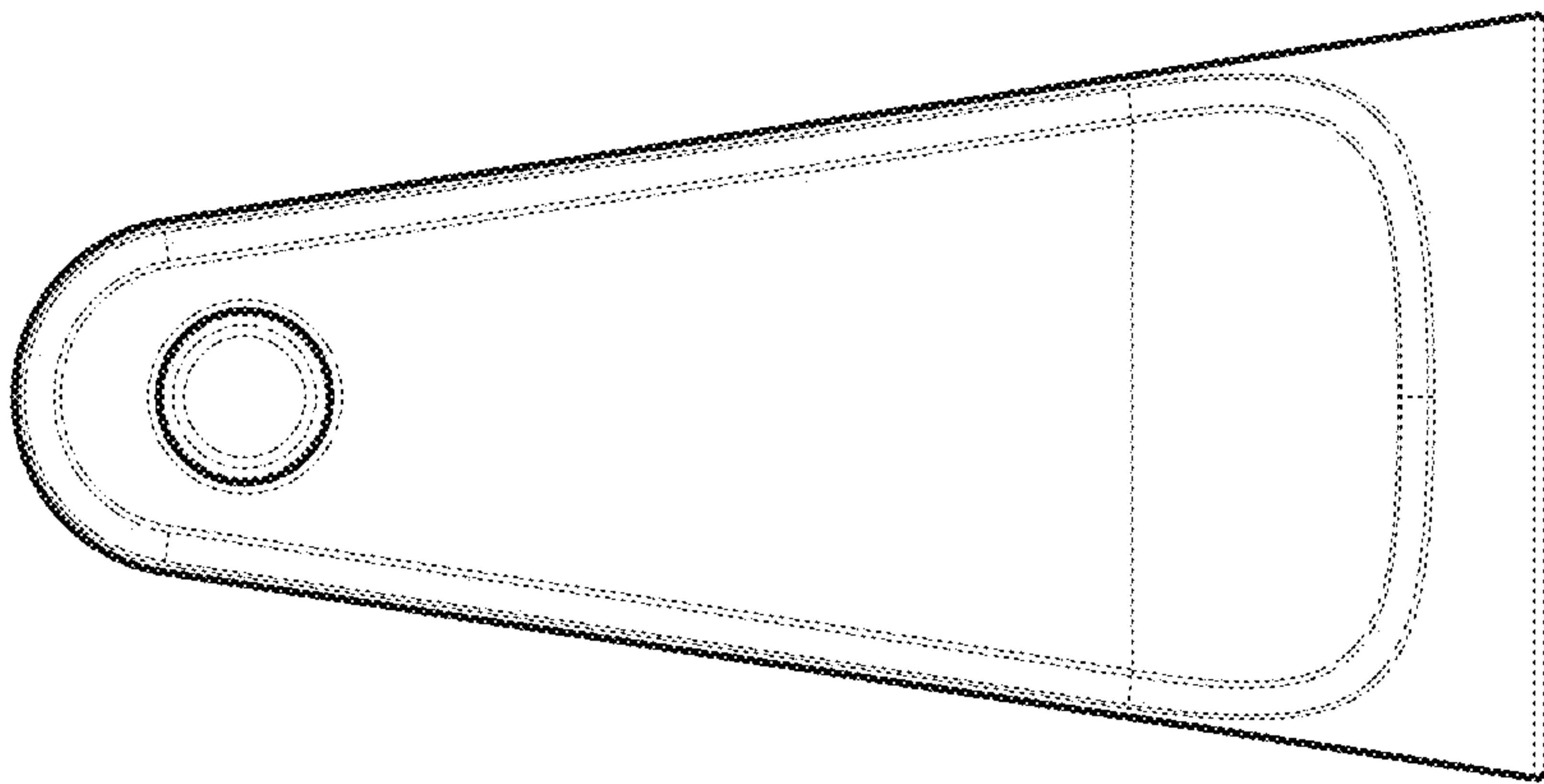


Fig. 6

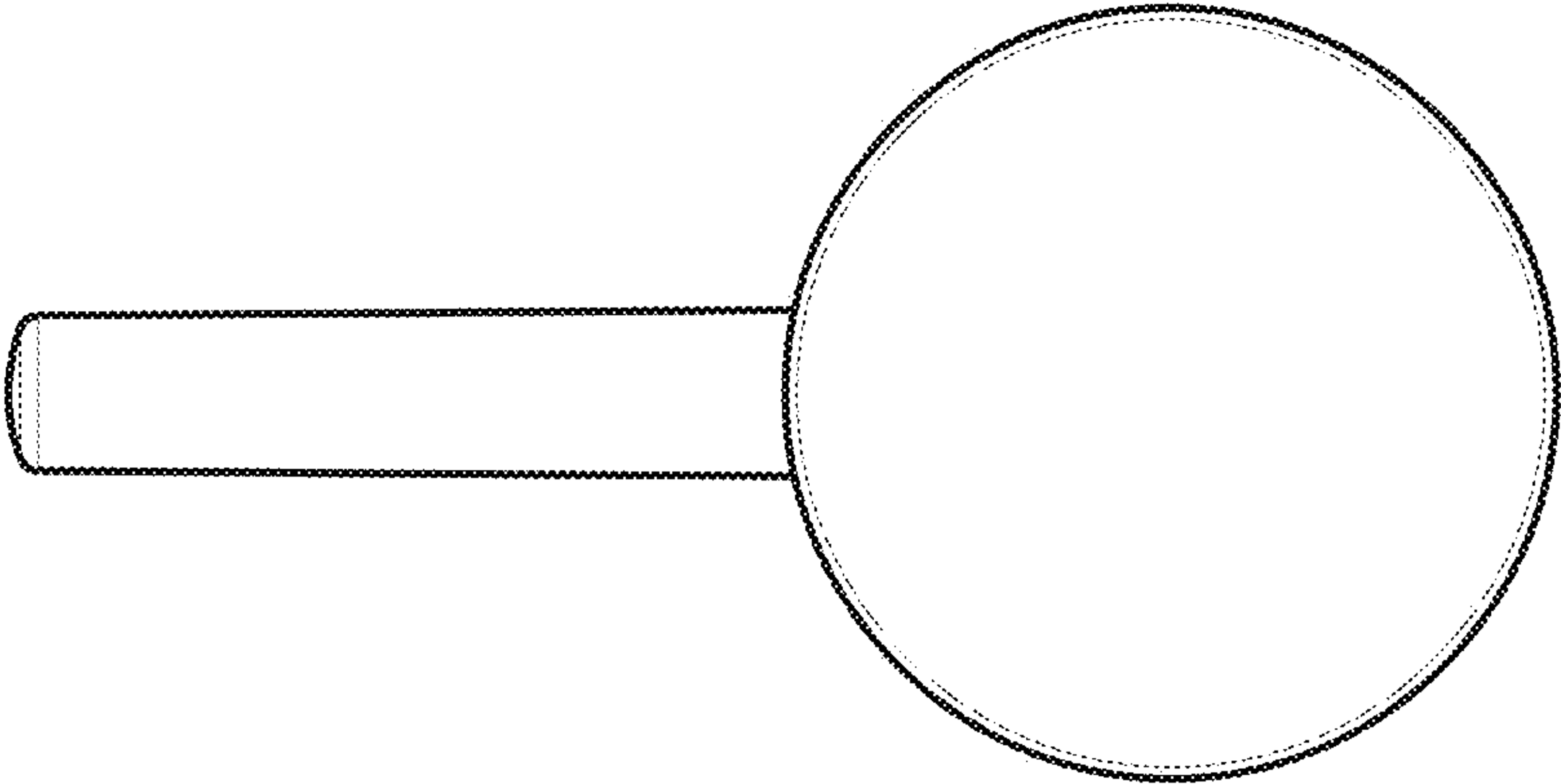


Fig. 8

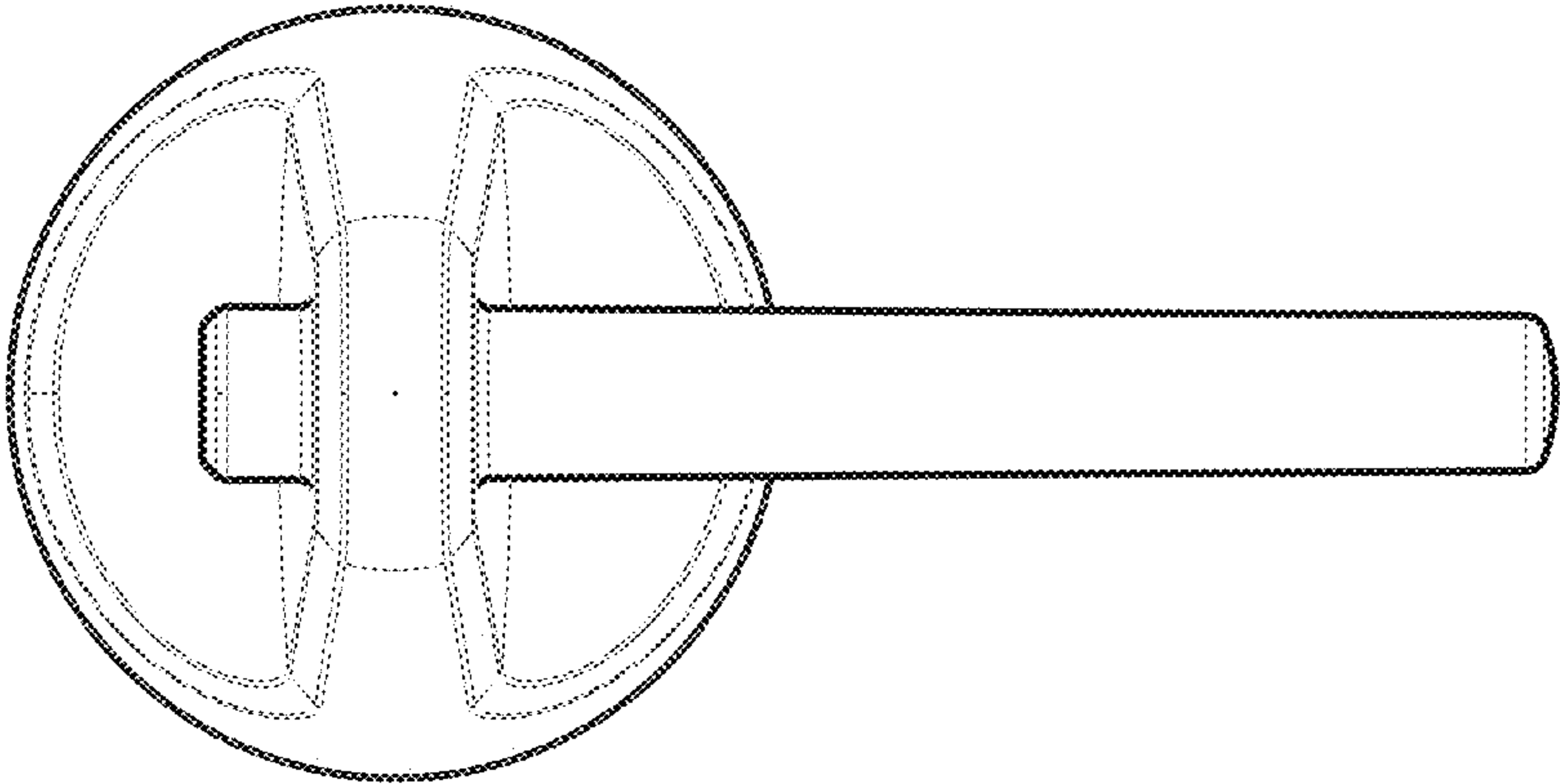


Fig. 7