



US00D870856S

(12) **United States Design Patent** (10) **Patent No.:** **US D870,856 S**
Tentler (45) **Date of Patent:** **** Dec. 24, 2019**

(54) **FAUCET HANDLE**

D539,874 S * 4/2007 Sallick D23/252
9,328,486 B2 * 5/2016 Chong E03C 1/0404

(71) Applicant: **DELTA FAUCET COMPANY,**
Indianapolis, IN (US)

* cited by examiner

(72) Inventor: **Anthony Joseph Tentler,** Windfall, IN
(US)

Primary Examiner — Robert A Delehanty

(74) *Attorney, Agent, or Firm* — Edgar A. Zarins; Nirav
D. Parikh

(73) Assignee: **DELTA FAUCET COMPANY,**
Indianapolis, IN (US)

(**) Term: **15 Years**

(57) **CLAIM**

(21) Appl. No.: **29/638,214**

The ornamental design for a faucet handle, as shown and
described.

(22) Filed: **Feb. 26, 2018**

(51) **LOC (12) Cl.** **23-01**

(52) **U.S. Cl.**

USPC **D23/252**

(58) **Field of Classification Search**

USPC D23/238, 241–243, 252, 254, 245;
D8/307–308

CPC F16K 31/60; F16K 31/602; F16K 31/605;
F16K 31/607; E03C 1/0412; E03C
1/0409

See application file for complete search history.

(56) **References Cited**

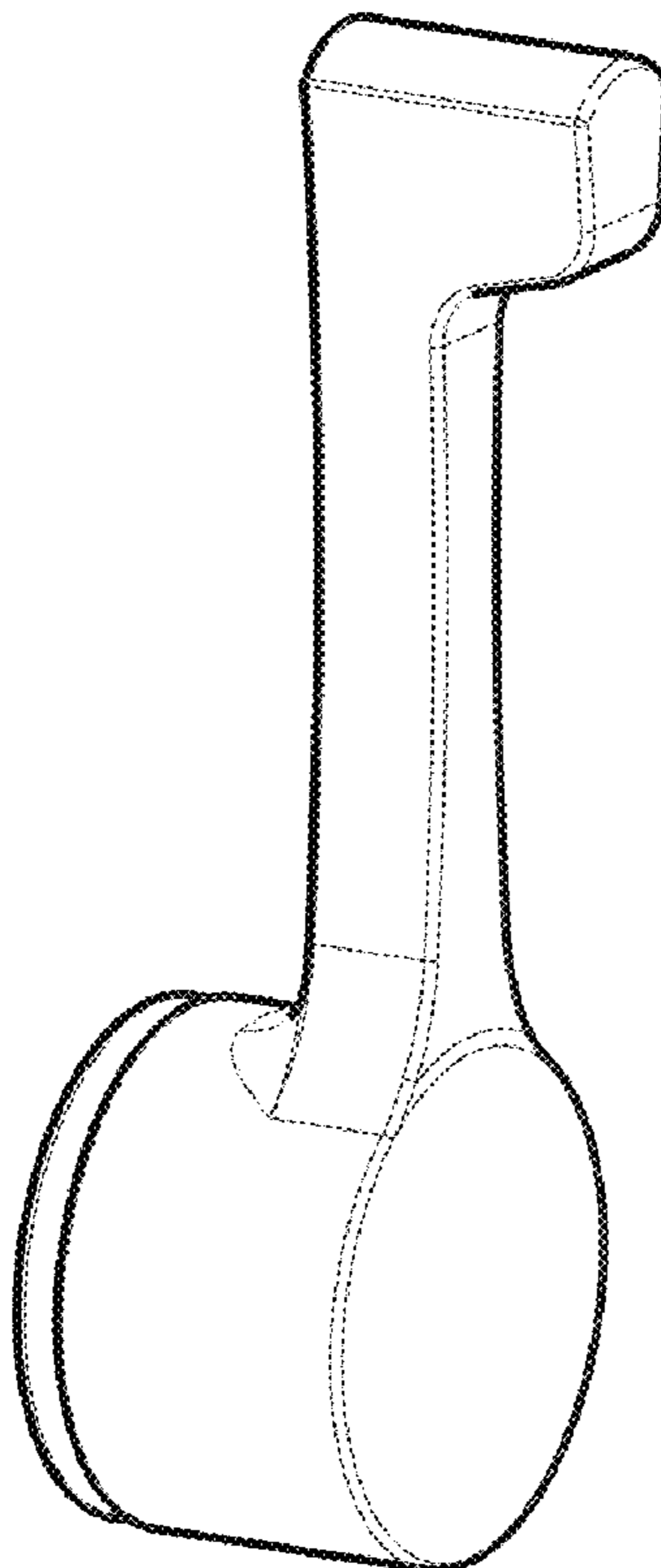
U.S. PATENT DOCUMENTS

D476,065 S * 6/2003 Smith D23/252
D538,896 S * 3/2007 Yang D23/252

DESCRIPTION

FIG. 1 is a first perspective view of a faucet handle showing
my new design;
FIG. 2 is a second perspective view thereof;
FIG. 3 is a front elevational view thereof;
FIG. 4 is a first side view thereof;
FIG. 5 is a rear view thereof;
FIG. 6 is a second side view thereof;
FIG. 7 is a top end view thereof; and,
FIG. 8 is a bottom end view thereof.
Portions of the article shown in phantom lines form no part
of the claimed design.

1 Claim, 4 Drawing Sheets



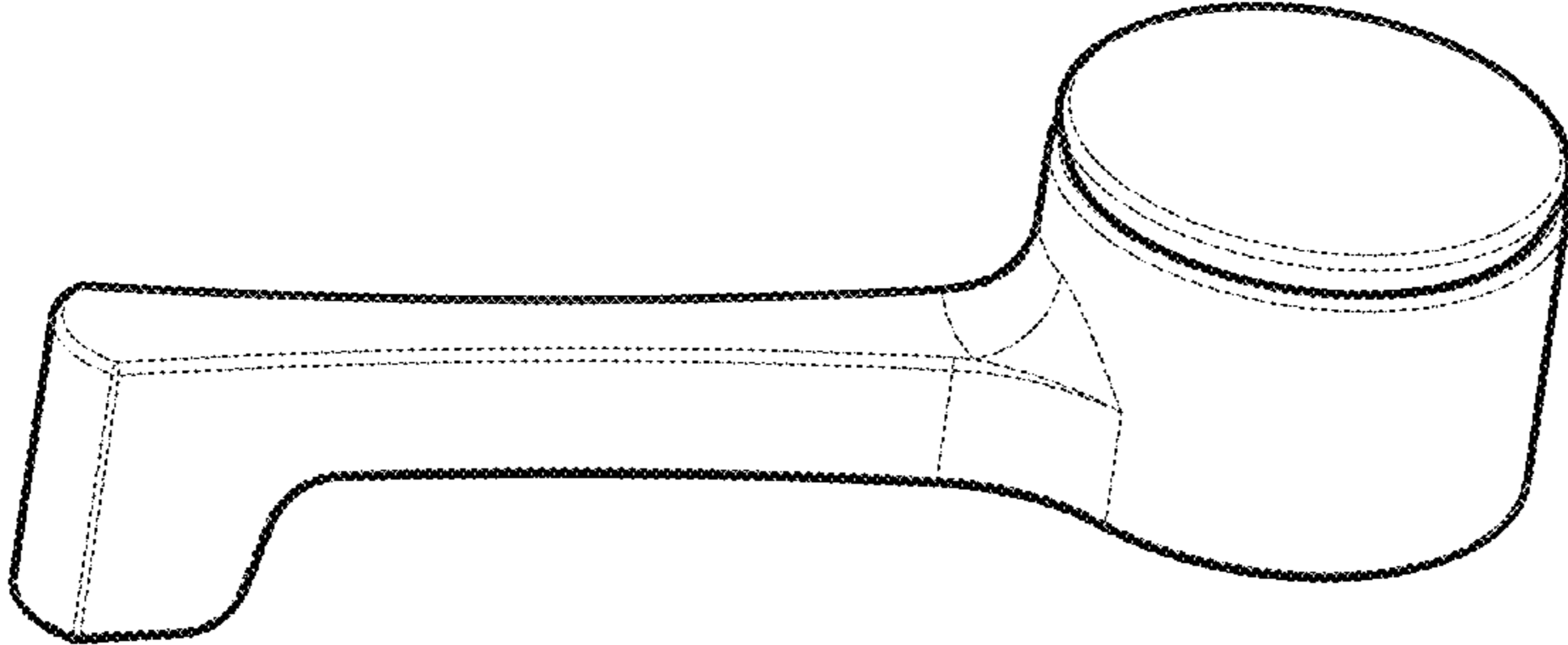


Fig. 2

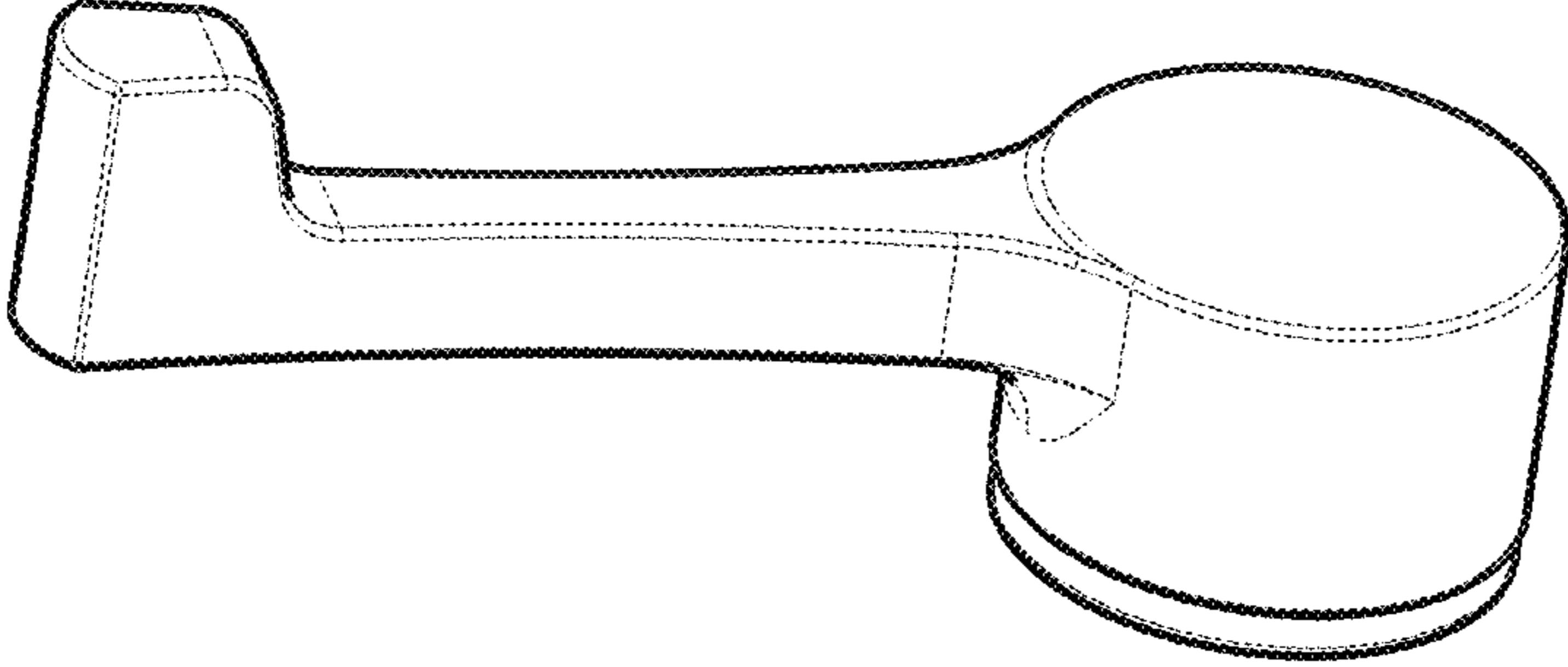


Fig. 1

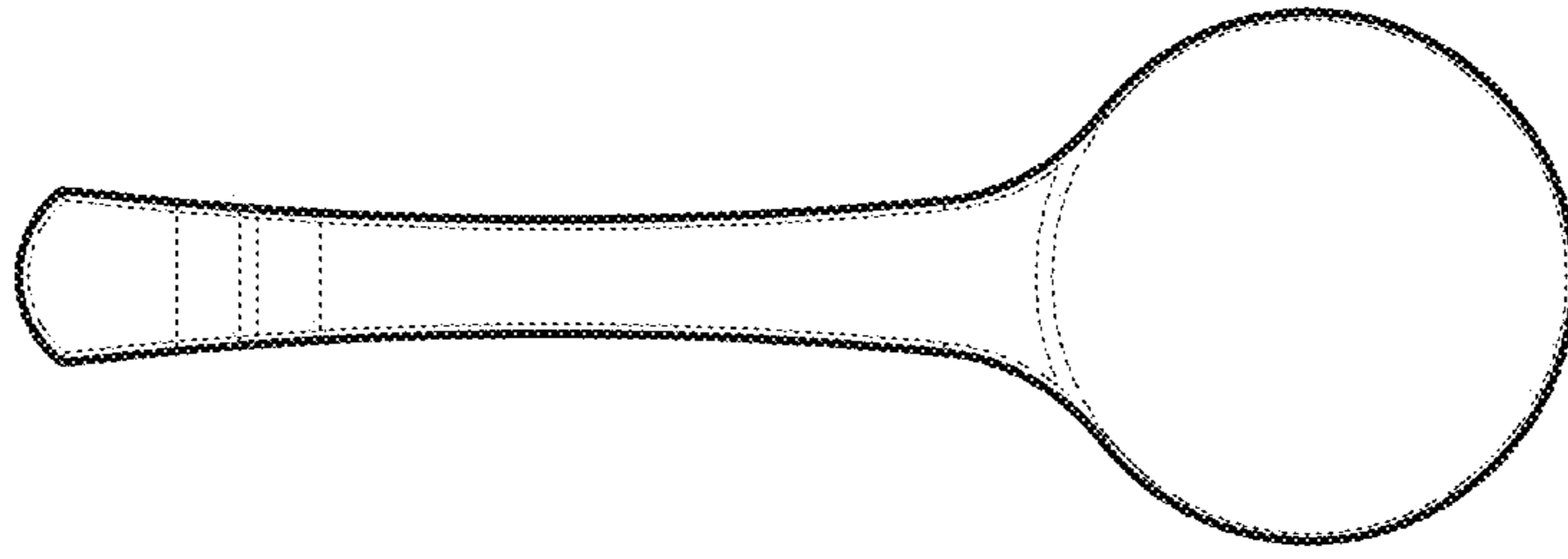


Fig. 3

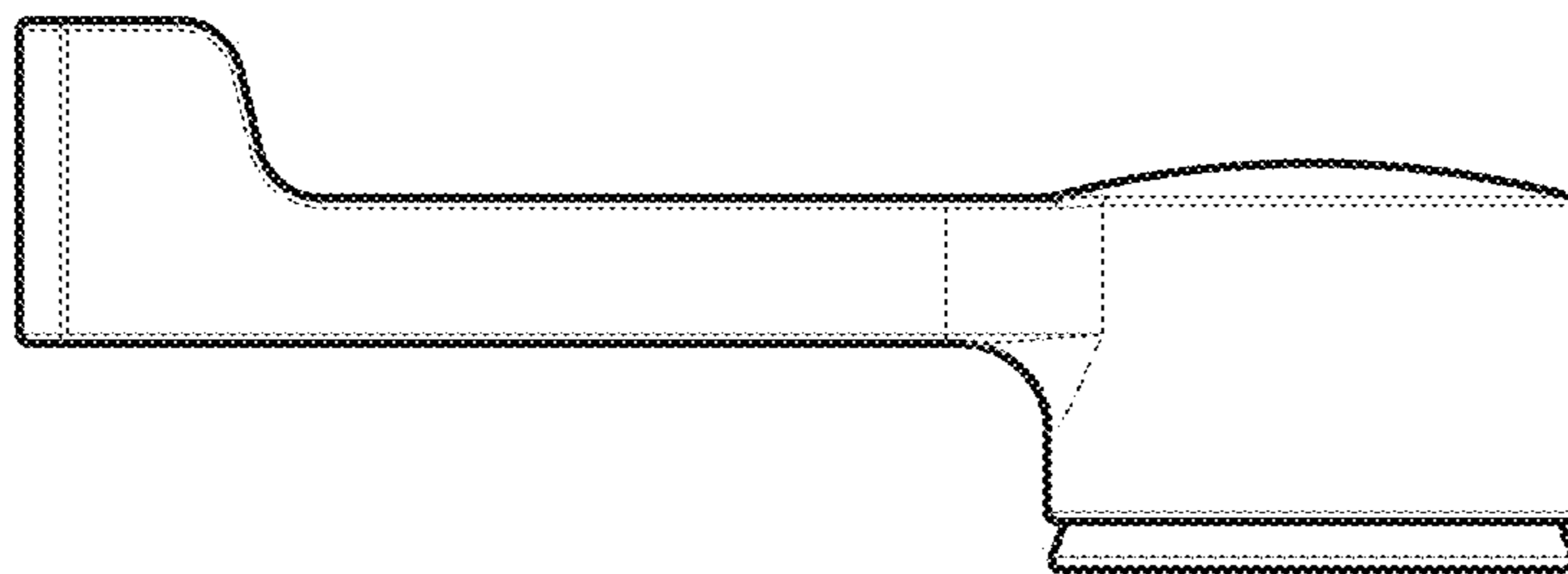


Fig. 4

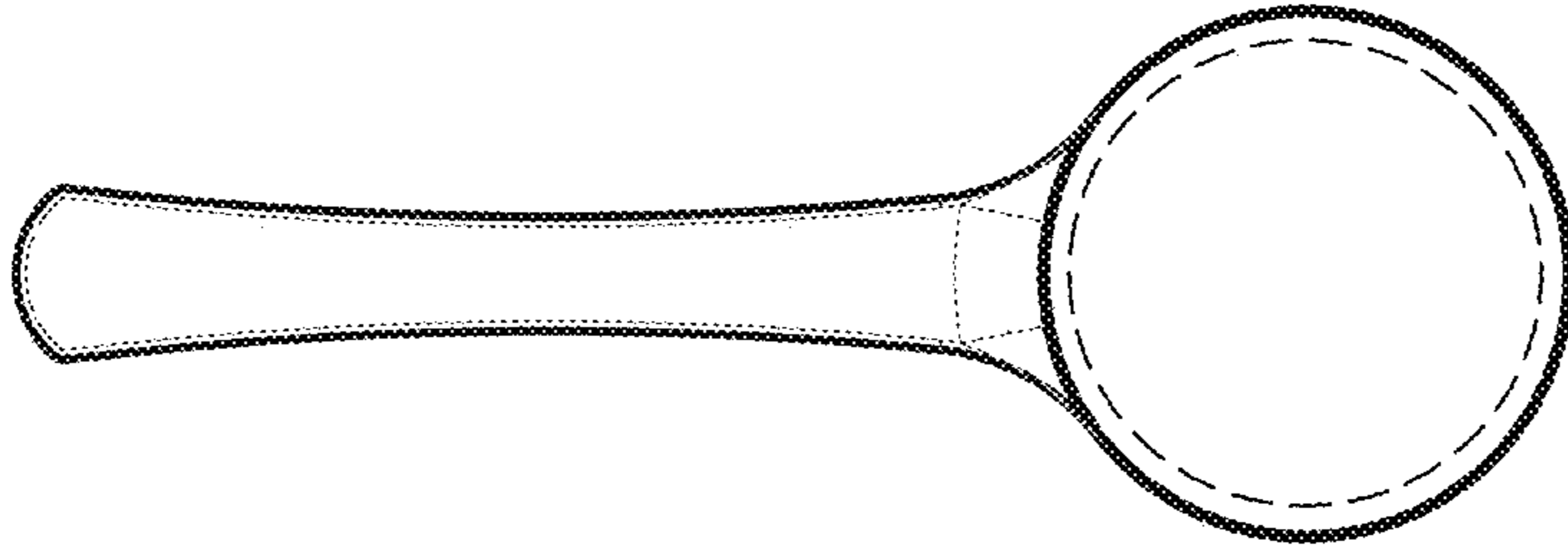


Fig. 5

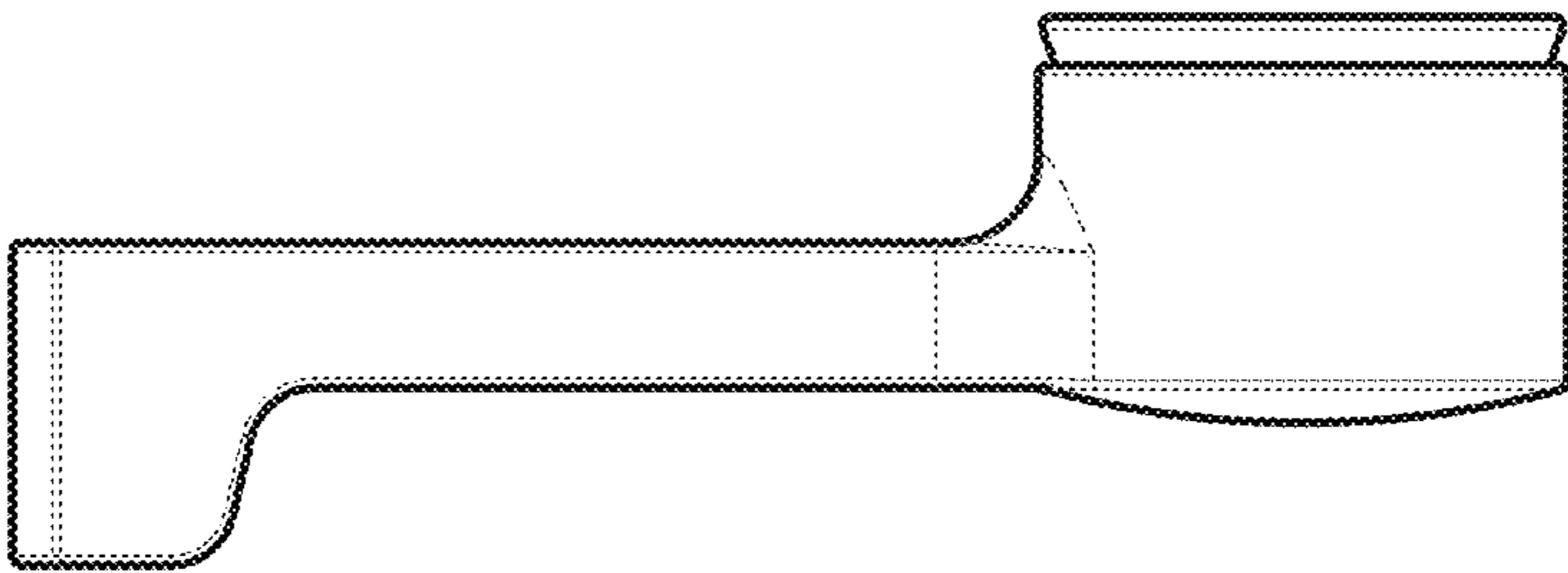


Fig. 6

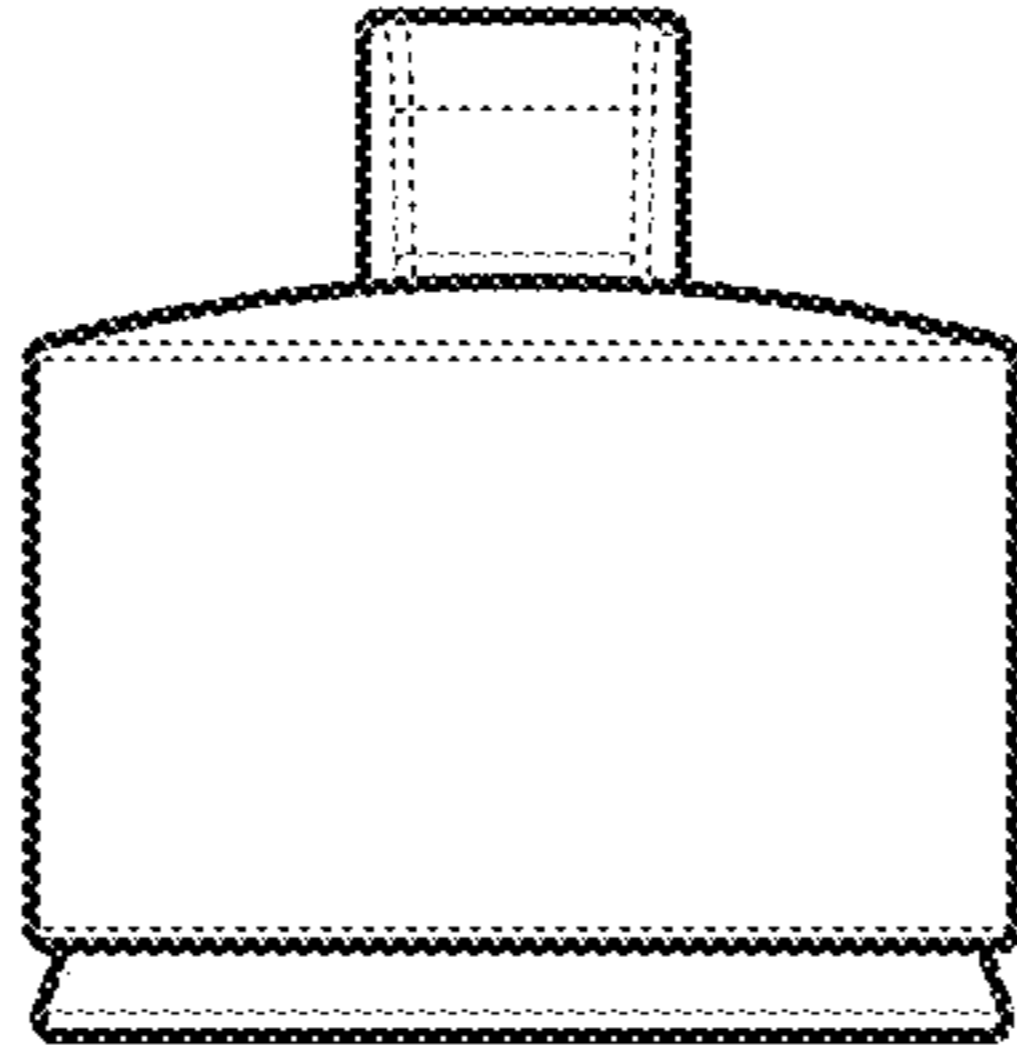


Fig. 8

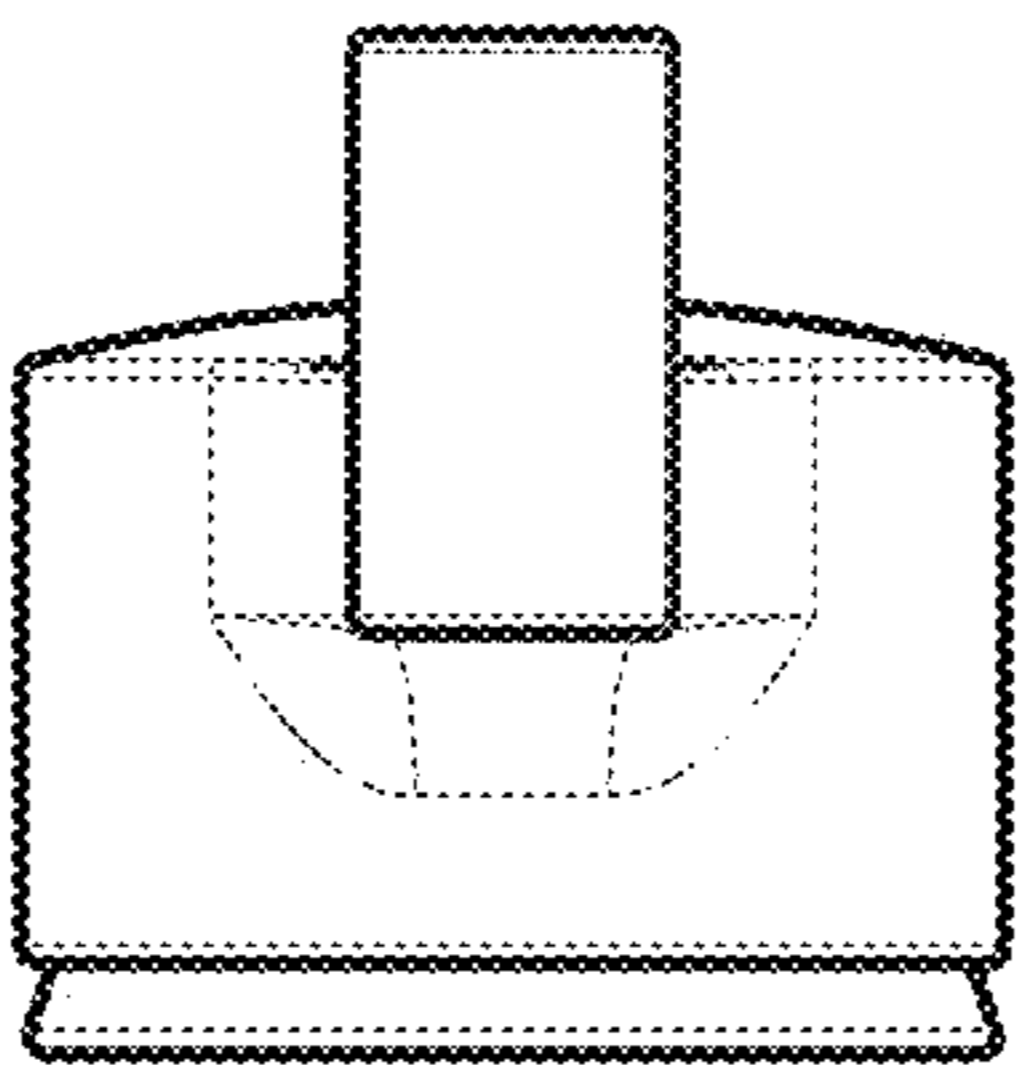


Fig. 7