



US00D870854S

(12) **United States Design Patent**
Yu

(10) **Patent No.:** **US D870,854 S**

(45) **Date of Patent:** **** Dec. 24, 2019**

(54) **DECK MOUNTED 3-HOLE BASIN MIXER**

D676,934 S *	2/2013	Obara	D23/252
D757,906 S *	5/2016	Flowers	D23/242
D799,644 S *	10/2017	Sieger	D23/242
D835,757 S *	12/2018	Schoenherr	D23/252

(71) Applicant: **Li E Yu**, Guangdong (CN)

(72) Inventor: **Li E Yu**, Guangdong (CN)

(**) Term: **15 Years**

* cited by examiner

(21) Appl. No.: **29/661,715**

Primary Examiner — Robert A Delehanty

(22) Filed: **Aug. 30, 2018**

(74) *Attorney, Agent, or Firm* — Enshan Hong; VLP Law Group LLP

(51) **LOC (12) Cl.** **23-01**

(52) **U.S. Cl.**
USPC **D23/242**

(57) **CLAIM**

The ornamental design for a deck mounted 3-hole basin mixer, as shown and described.

(58) **Field of Classification Search**
USPC D23/238, 241–243, 255, 257, 250, 252;
D8/307–308

DESCRIPTION

See application file for complete search history.

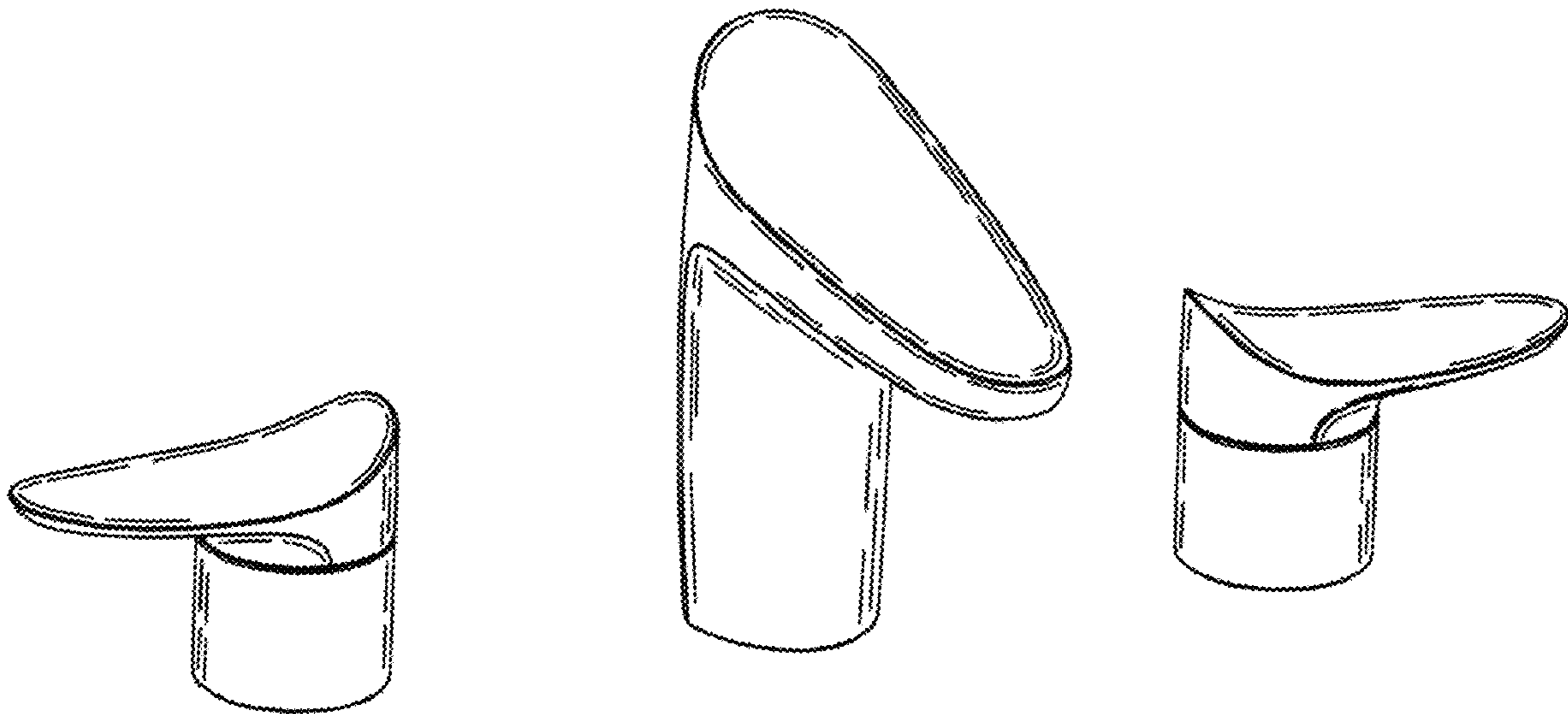
FIG. 1 is a perspective view of a deck mounted 3-hole basin mixer showing my new design;
FIG. 2 is a front view thereof;
FIG. 3 is a back view thereof;
FIG. 4 is a left view thereof;
FIG. 5 is a right view thereof; and,
FIG. 6 is a top view thereof.

(56) **References Cited**

U.S. PATENT DOCUMENTS

D601,228 S *	9/2009	Schoenherr	D23/252
D639,912 S *	6/2011	Schoenherr	D23/252
D640,350 S *	6/2011	Schoenherr	D23/252

1 Claim, 6 Drawing Sheets



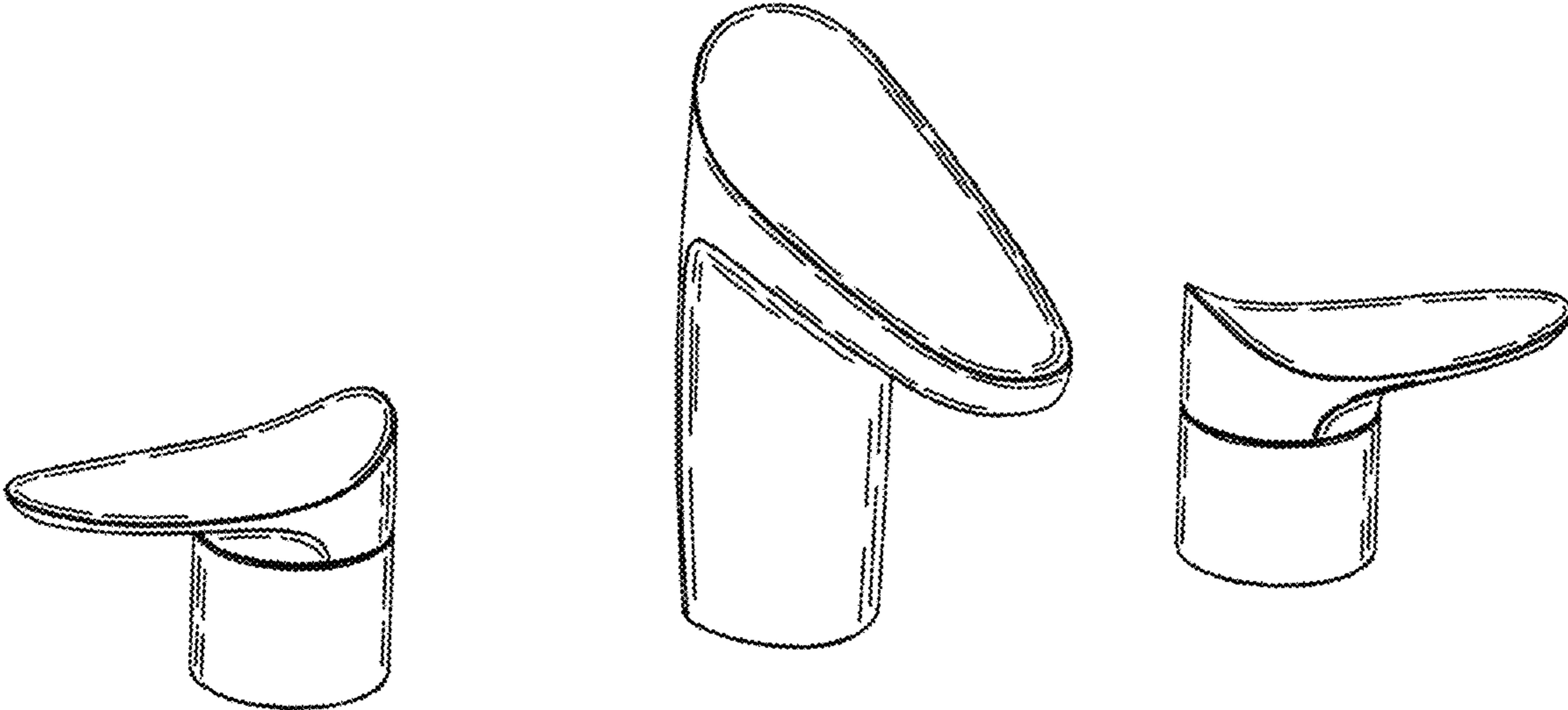


FIG.1

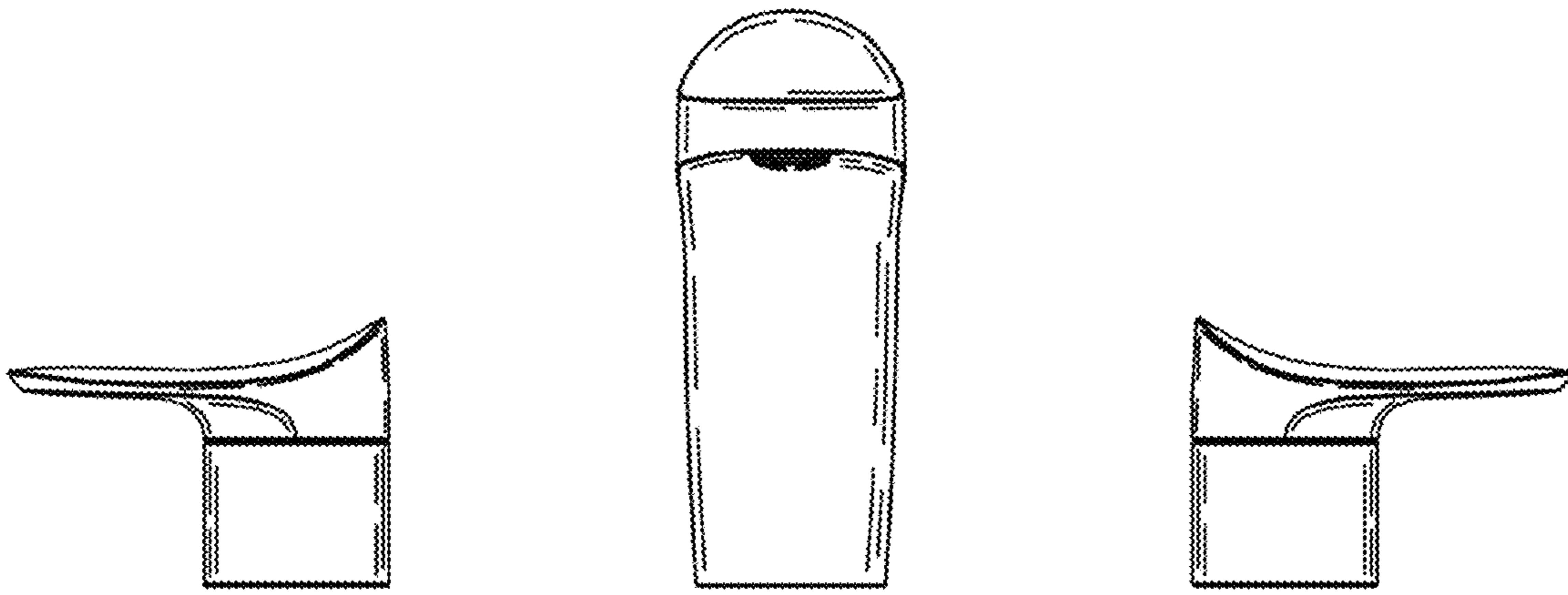


FIG. 2

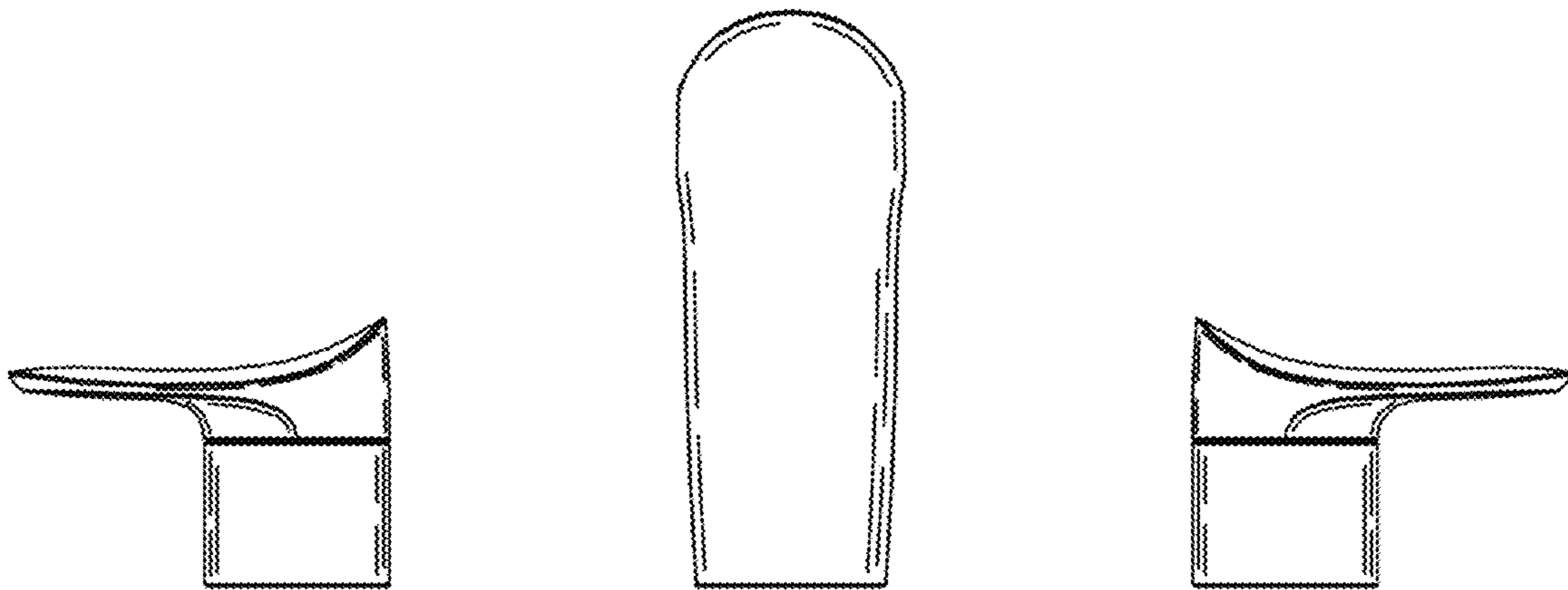


FIG. 3

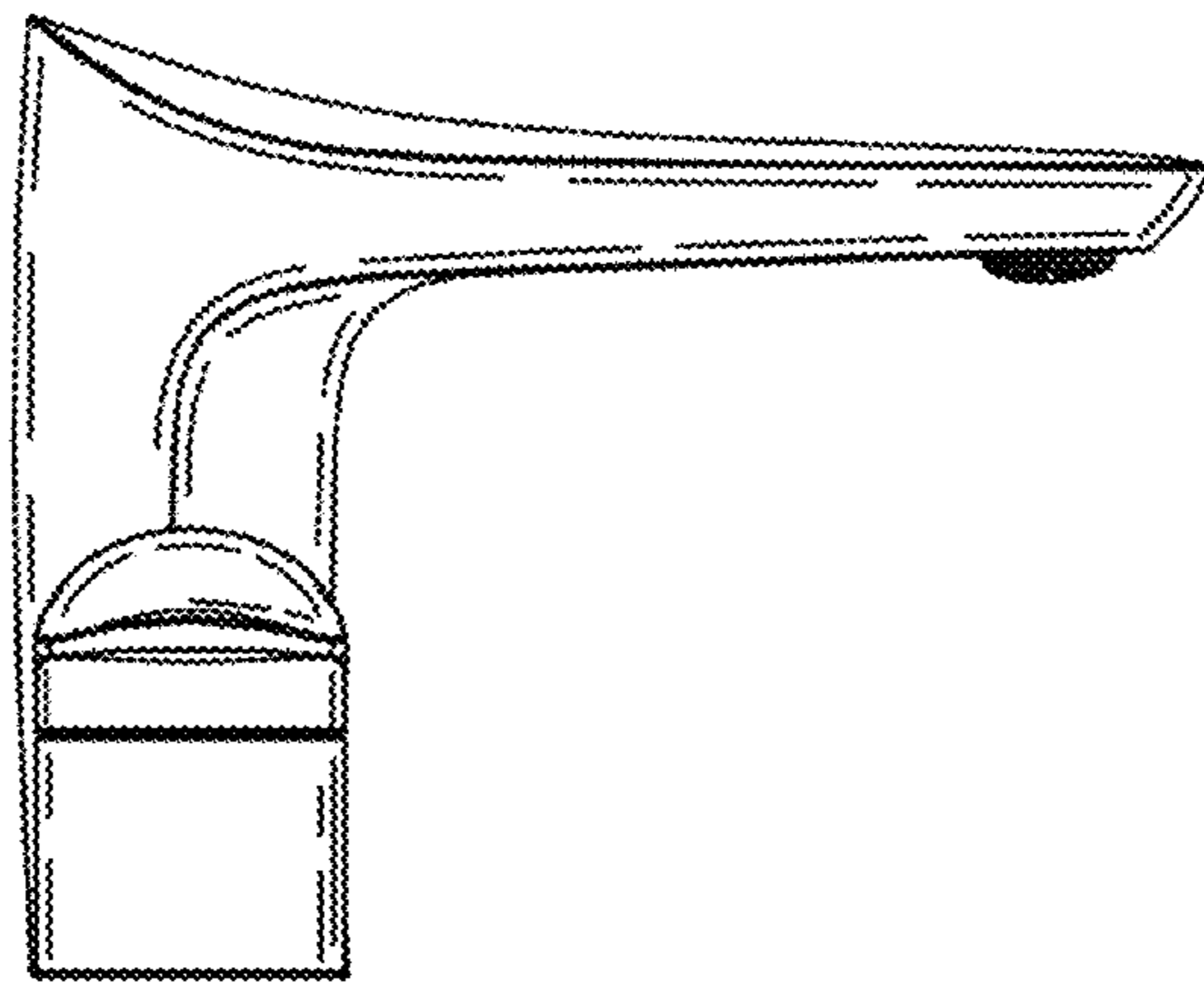


FIG. 4

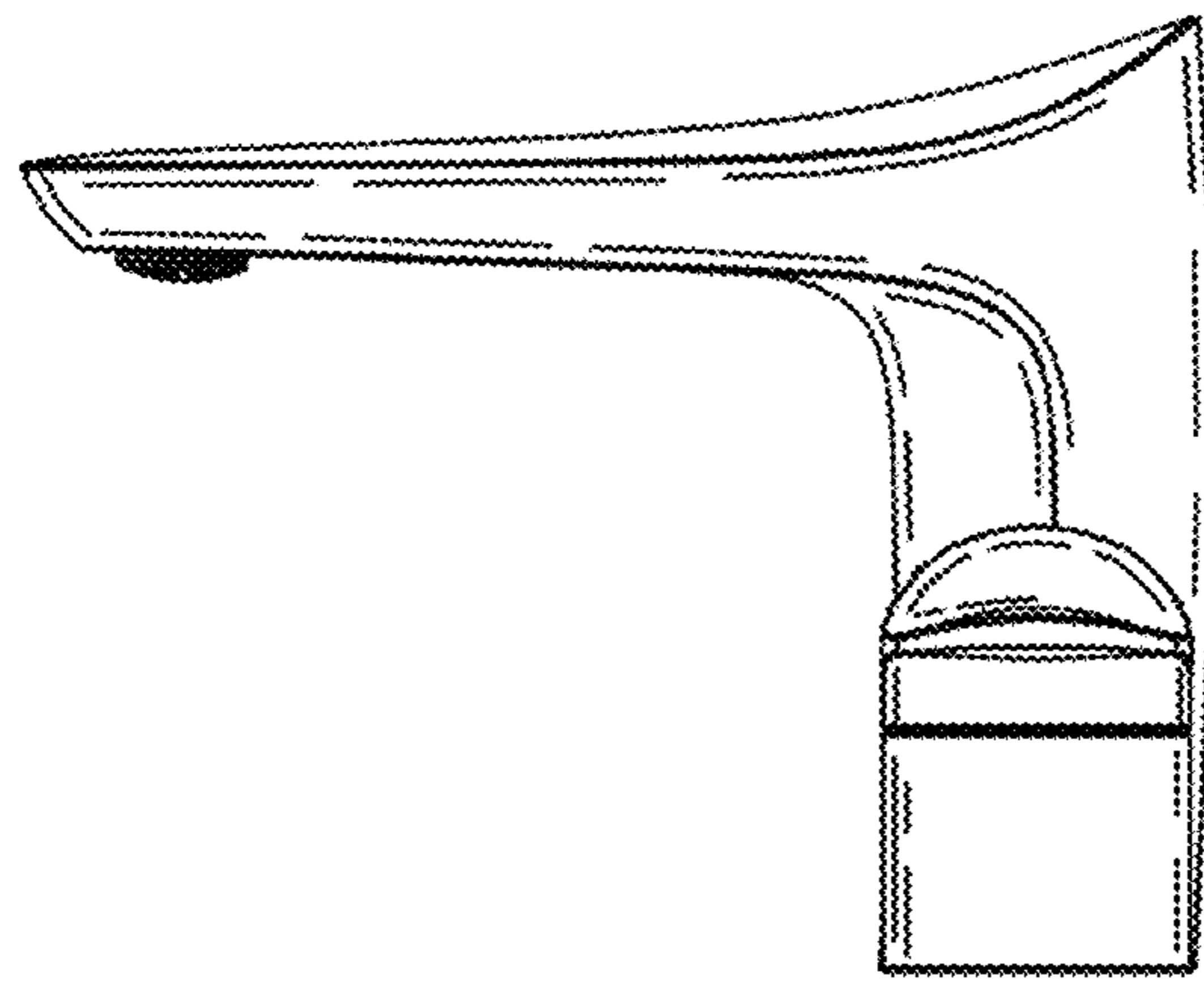


FIG. 5

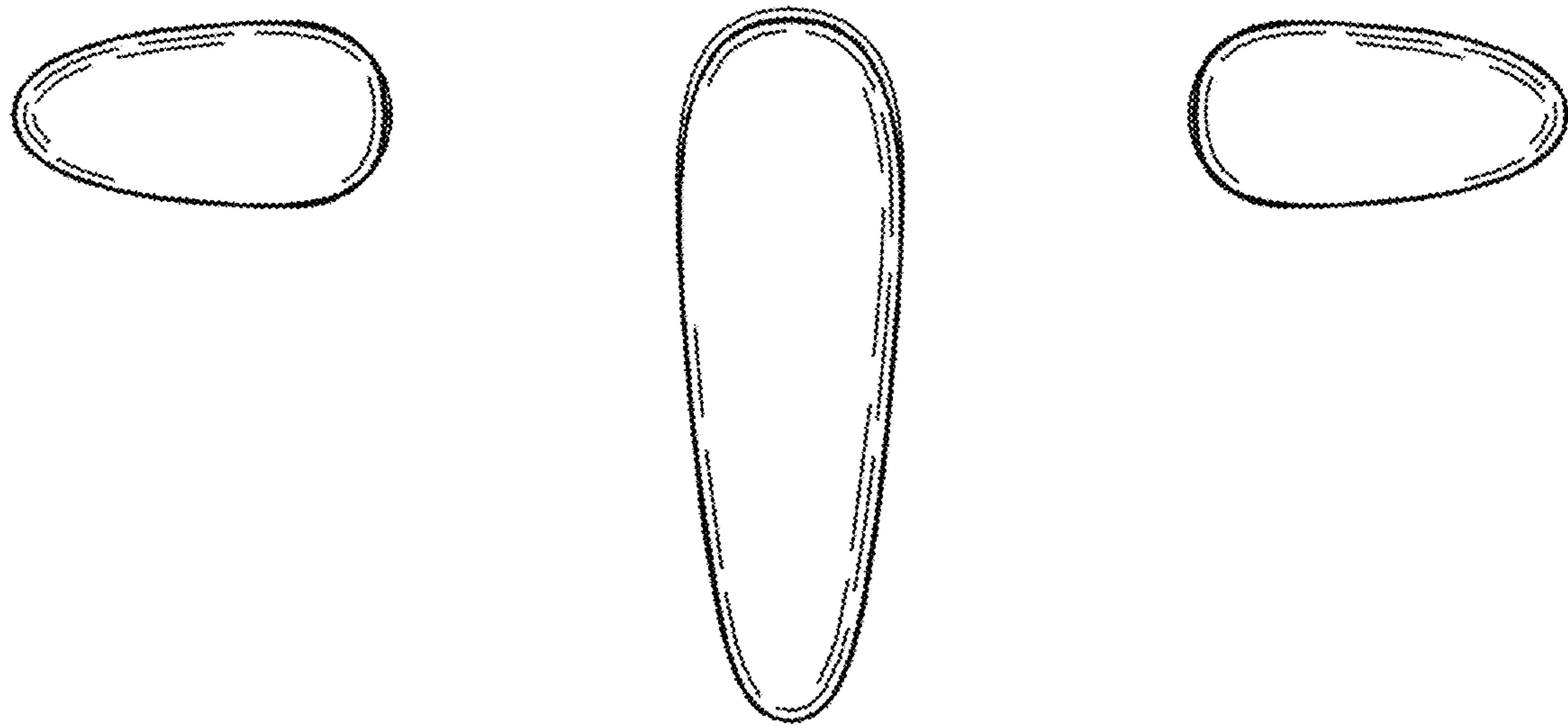


FIG. 6