



US00D870853S

(12) **United States Design Patent**
Garland

(10) **Patent No.:** **US D870,853 S**

(45) **Date of Patent:** **** Dec. 24, 2019**

(54) **FAUCET BODY**

7,909,269 B2 * 3/2011 Erickson E03C 1/0404
137/801

(71) Applicant: **DELTA FAUCET COMPANY,**
Indianapolis, IN (US)

D705,398 S * 5/2014 Flowers D23/238
D828,508 S * 9/2018 Fritz D23/238

(72) Inventor: **Celine Kwok Garland,** Zionsville, IN
(US)

* cited by examiner

(73) Assignee: **DELTA FAUCET COMPANY,**
Indianapolis, IN (US)

Primary Examiner — Robert A Delehanty

(74) *Attorney, Agent, or Firm* — Edgar A. Zarins; Nirav
D. Parikh

(**) Term: **15 Years**

(57) **CLAIM**

The ornamental design for a faucet body, as shown and
described.

(21) Appl. No.: **29/638,508**

DESCRIPTION

(22) Filed: **Feb. 27, 2018**

(51) **LOC (12) Cl.** **23-01**

FIG. 1 is a first perspective view of a faucet body showing
my new design;

(52) **U.S. Cl.**

USPC **D23/238**

FIG. 2 is a second perspective view thereof;

(58) **Field of Classification Search**

USPC D23/238, 241–243

See application file for complete search history.

FIG. 3 is a front elevational view thereof;

FIG. 4 is a left side view thereof;

FIG. 5 is a rear view thereof;

FIG. 6 is a right side view thereof;

FIG. 7 is a top plan view thereof; and,

FIG. 8 is a bottom view thereof.

Portions of the article shown in broken lines form no part of
the claimed design.

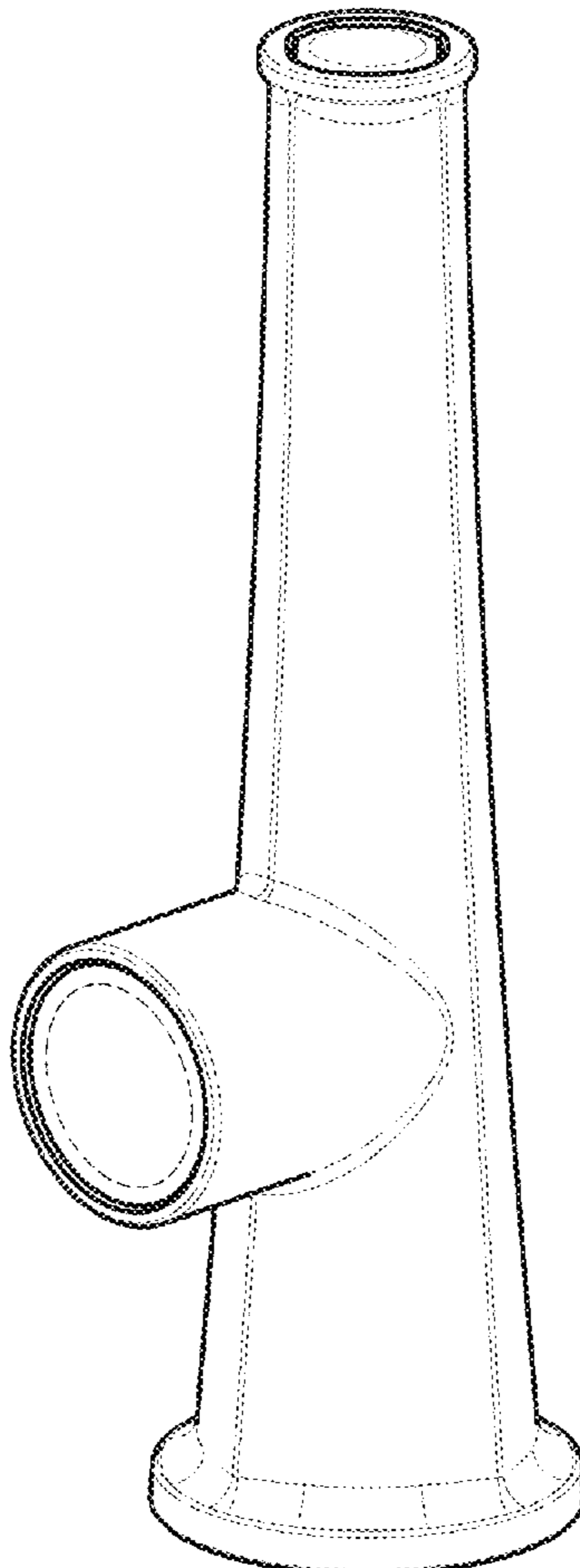
(56) **References Cited**

U.S. PATENT DOCUMENTS

D518,558 S * 4/2006 Soriano D23/255

D574,469 S * 8/2008 Soriano D23/255

1 Claim, 4 Drawing Sheets



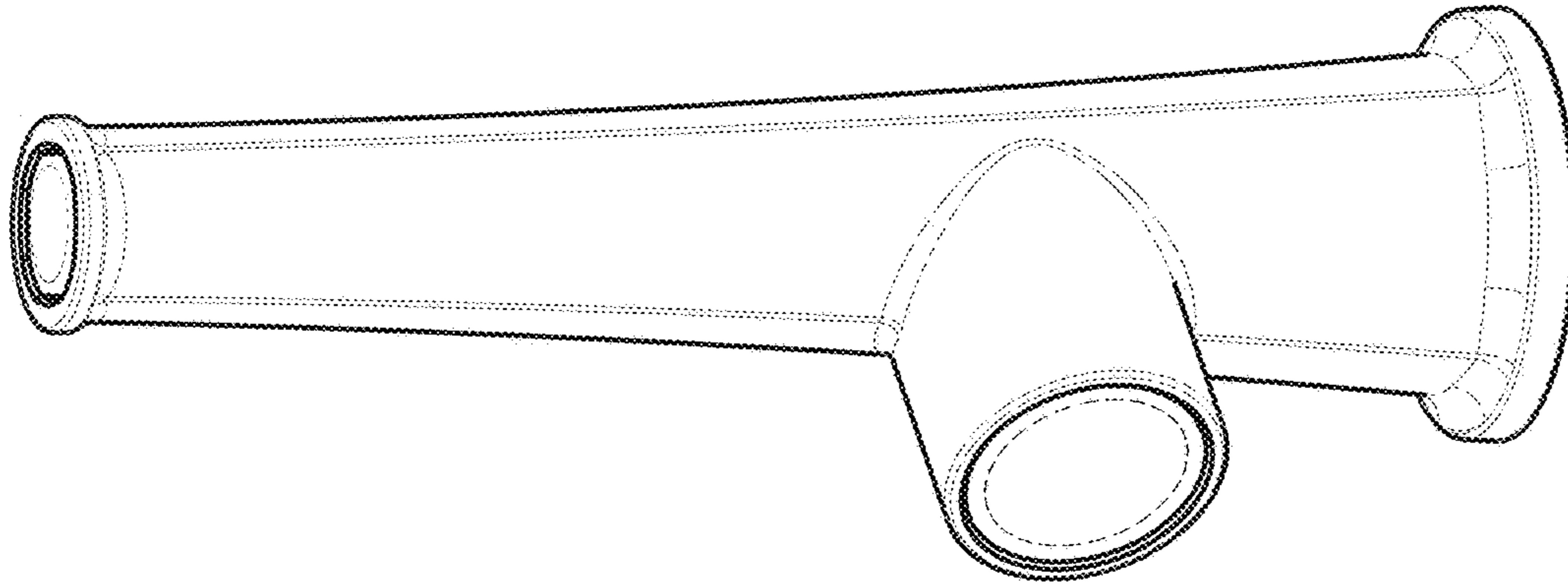


Fig. 2

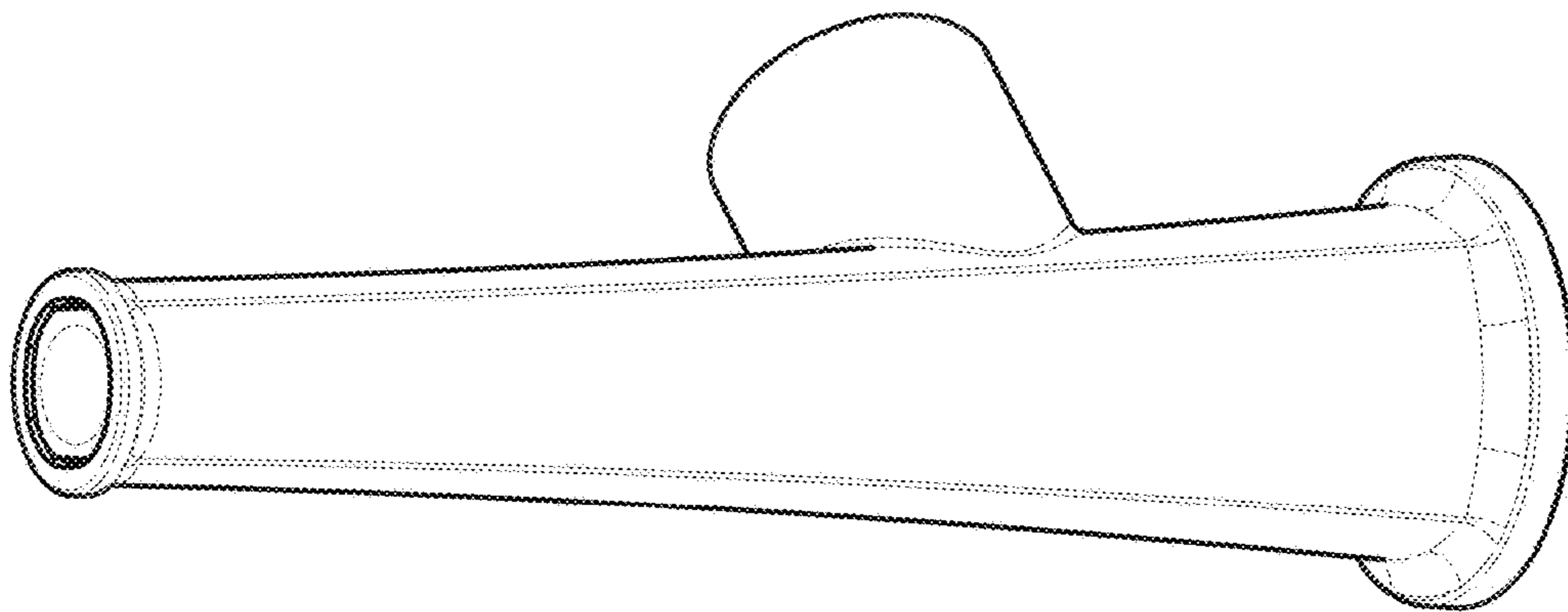


Fig. 1

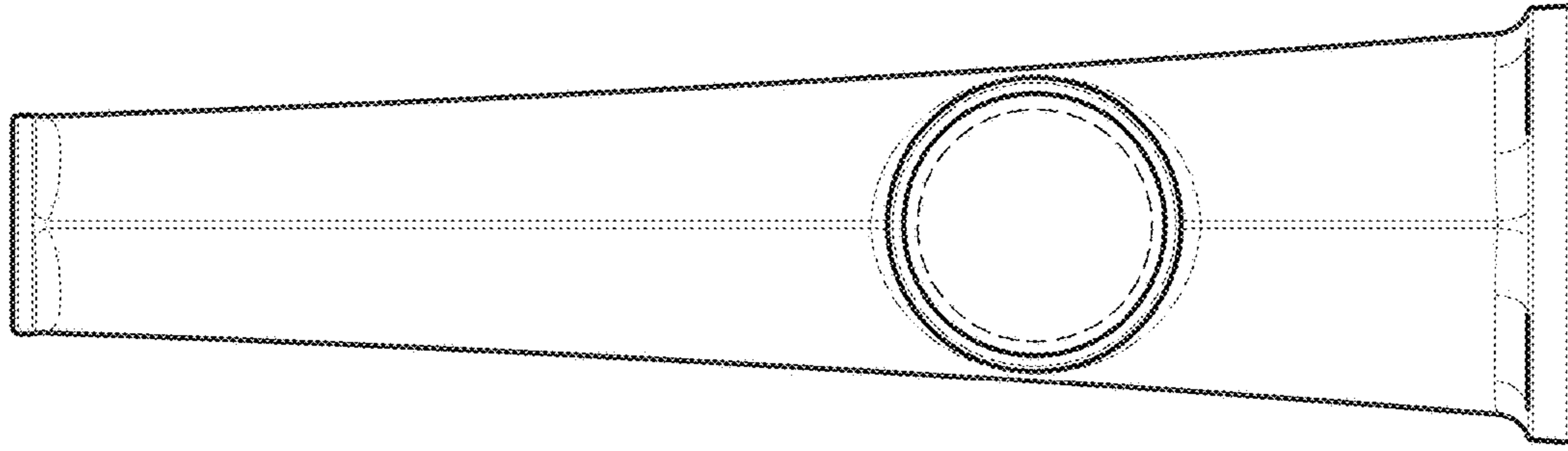


Fig. 4

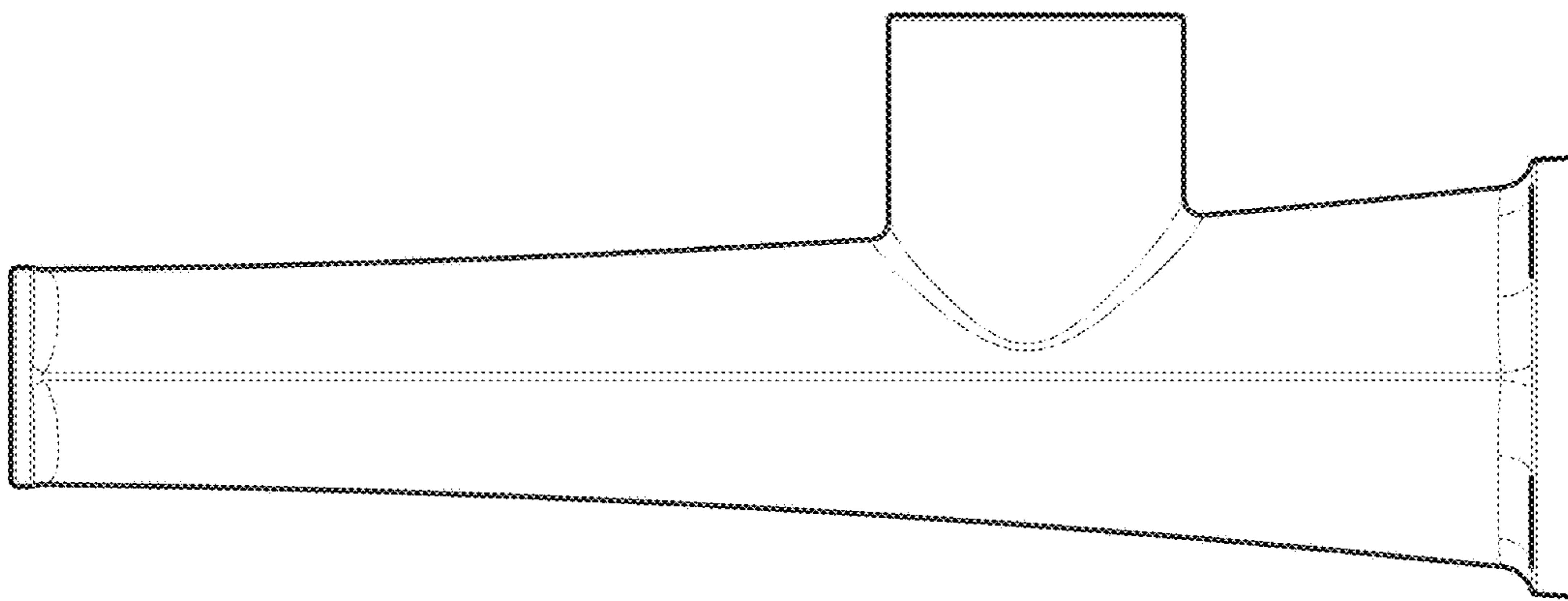


Fig. 3

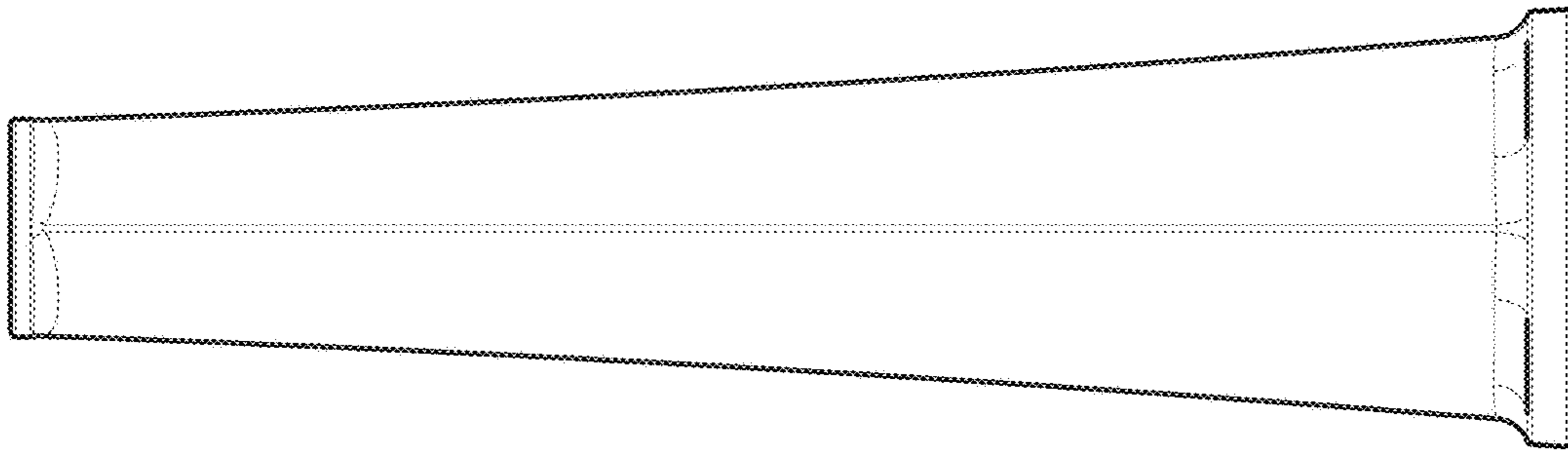


Fig. 6

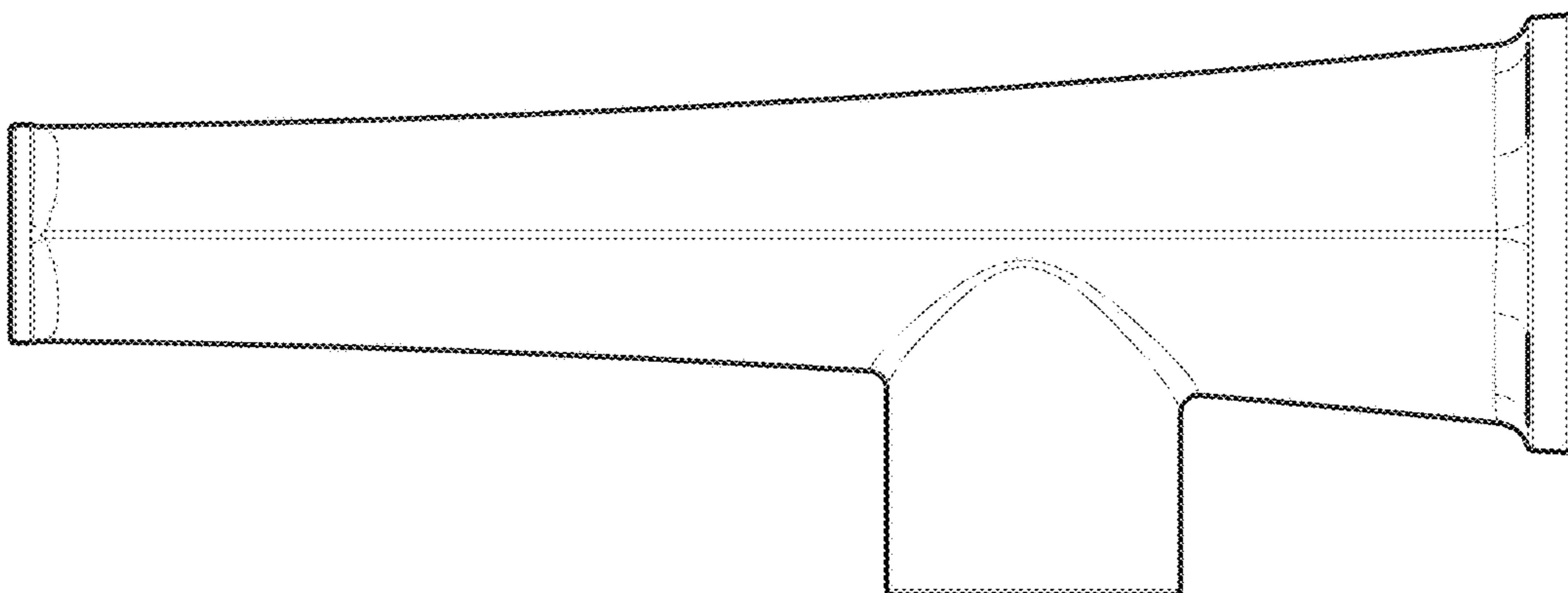


Fig. 5

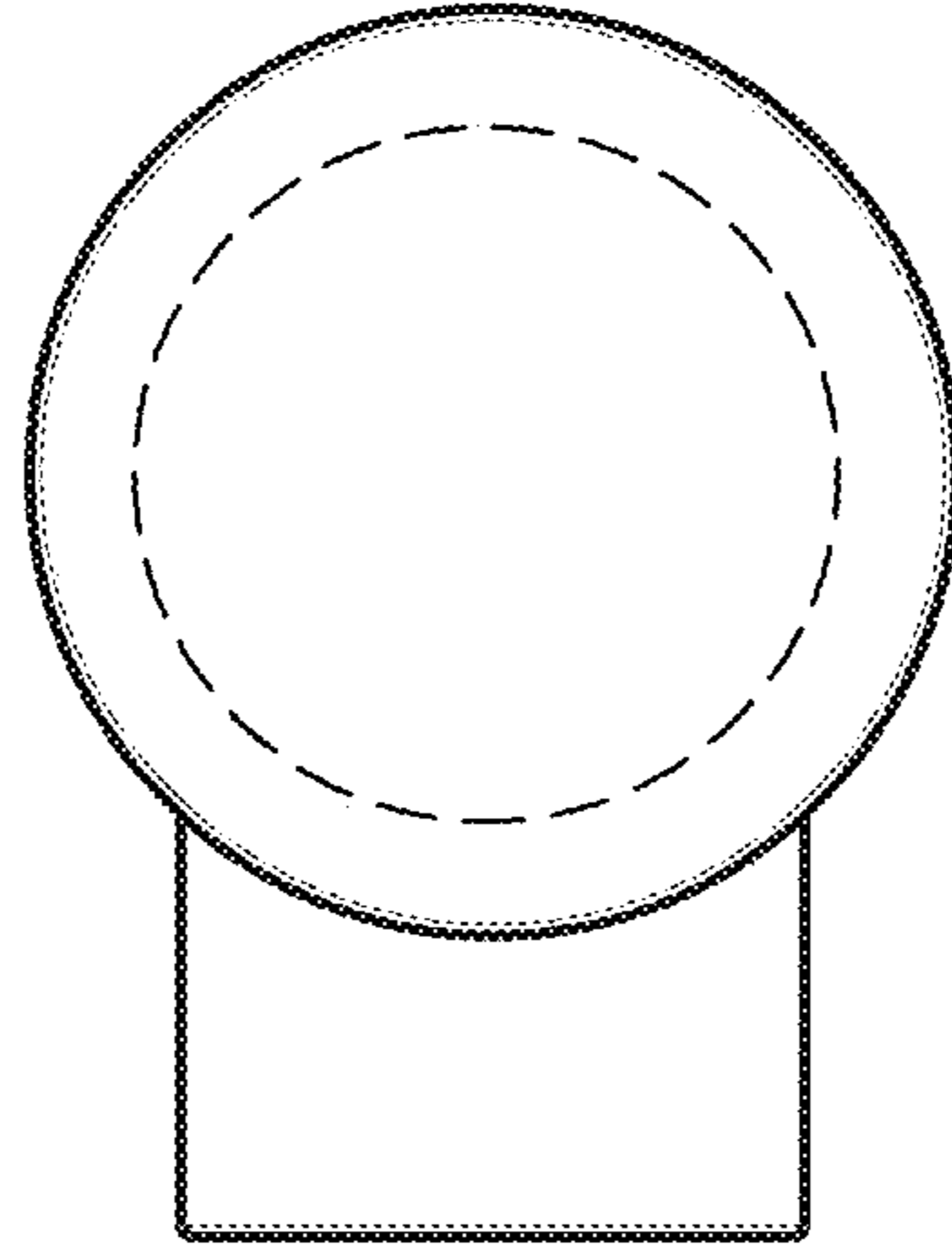


Fig. 8

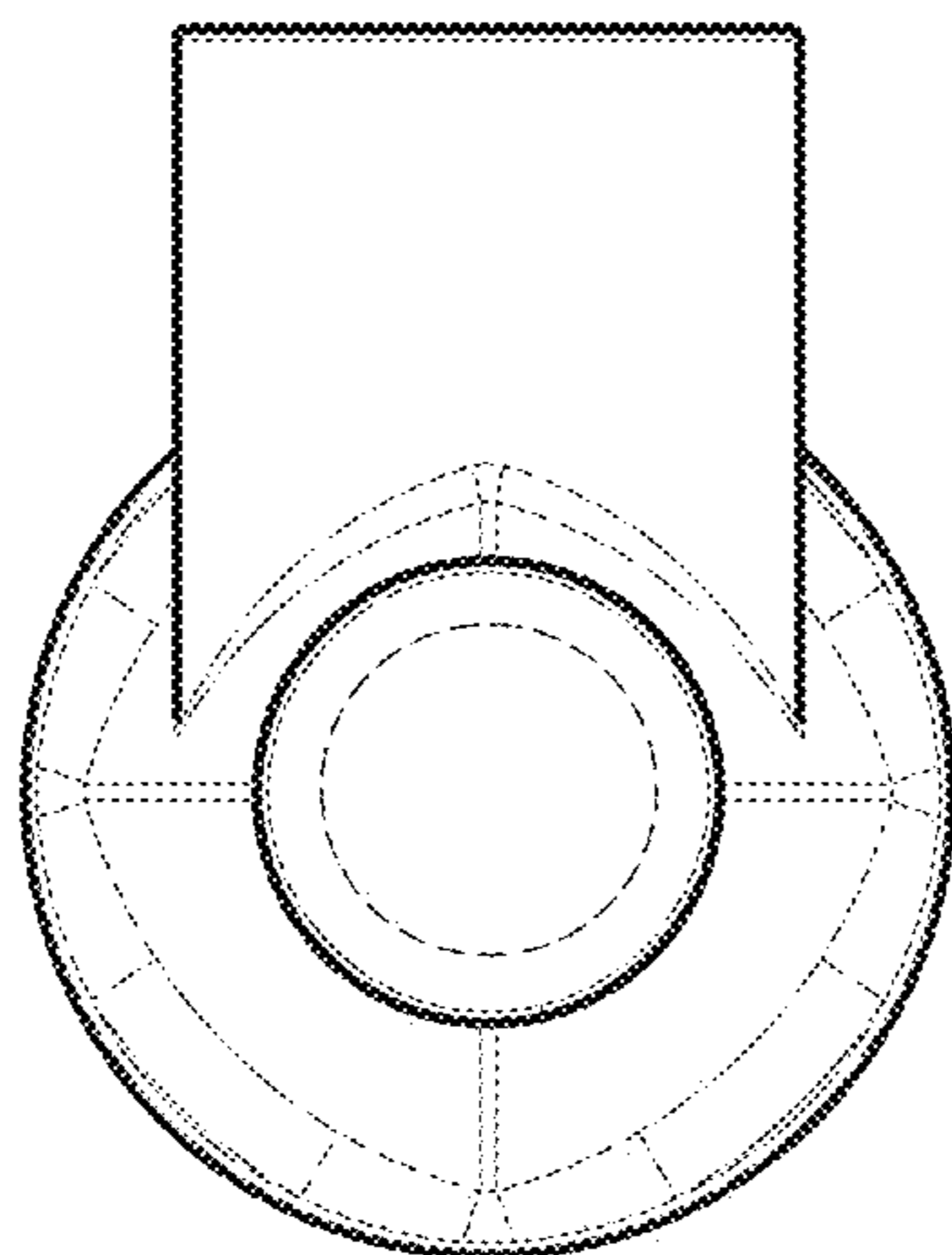


Fig. 7