



US00D870851S

(12) **United States Design Patent**
Tentler

(10) **Patent No.:** **US D870,851 S**

(45) **Date of Patent:** **** Dec. 24, 2019**

(54) **FAUCET**

(71) Applicant: **DELTA FAUCET COMPANY,**
Indianapolis, IN (US)

(72) Inventor: **Anthony Joseph Tentler,** Windfall, IN
(US)

(73) Assignee: **DELTA FAUCET COMPANY,**
Indianapolis, IN (US)

(**) Term: **15 Years**

(21) Appl. No.: **29/638,155**

(22) Filed: **Feb. 24, 2018**

(51) **LOC (12) Cl.** **23-01**

(52) **U.S. Cl.**
USPC **D23/238**

(58) **Field of Classification Search**
USPC D23/238, 241–243, 255, 257, 213, 226,
D23/252, 254, 245; D8/307–308
CPC F16K 31/60; F16K 31/602; F16K 31/605;
F16K 31/607; E03C 1/0405; E03C
2001/0415; E03C 1/0412; E03C 1/0409
See application file for complete search history.

(56) **References Cited**

U.S. PATENT DOCUMENTS

D460,150 S * 7/2002 Rexach D23/238
D487,922 S * 3/2004 Lord D23/249

D511,560 S * 11/2005 Kulig D23/238
D583,443 S * 12/2008 Hanna D23/255
D603,938 S * 11/2009 Schoenherr D23/252
8,727,241 B2 * 5/2014 Bosio B05B 1/1618
239/525

* cited by examiner

Primary Examiner — Robert A Delehanty

(74) *Attorney, Agent, or Firm* — Edgar A. Zarins; Nirav
D. Parikh

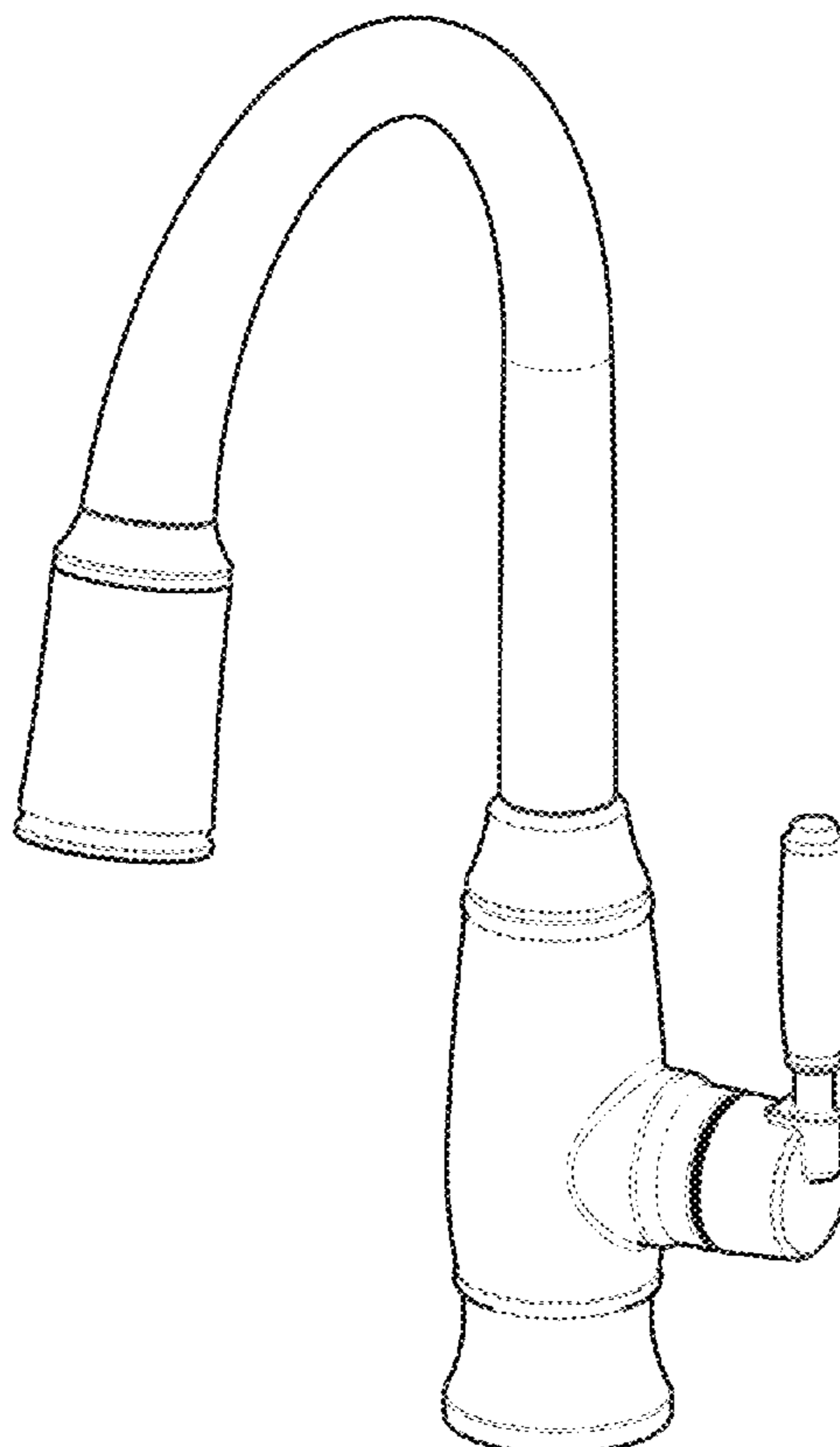
(57) **CLAIM**

The ornamental design for a faucet, as shown and described.

DESCRIPTION

FIG. 1 is a front perspective view of a faucet showing my
new design;
FIG. 2 is a rear perspective view thereof;
FIG. 3 is a front elevational view thereof;
FIG. 4 is a left side view thereof;
FIG. 5 is a rear view thereof;
FIG. 6 is a right side view thereof; and,
FIG. 7 is a top plan view thereof.

1 Claim, 4 Drawing Sheets



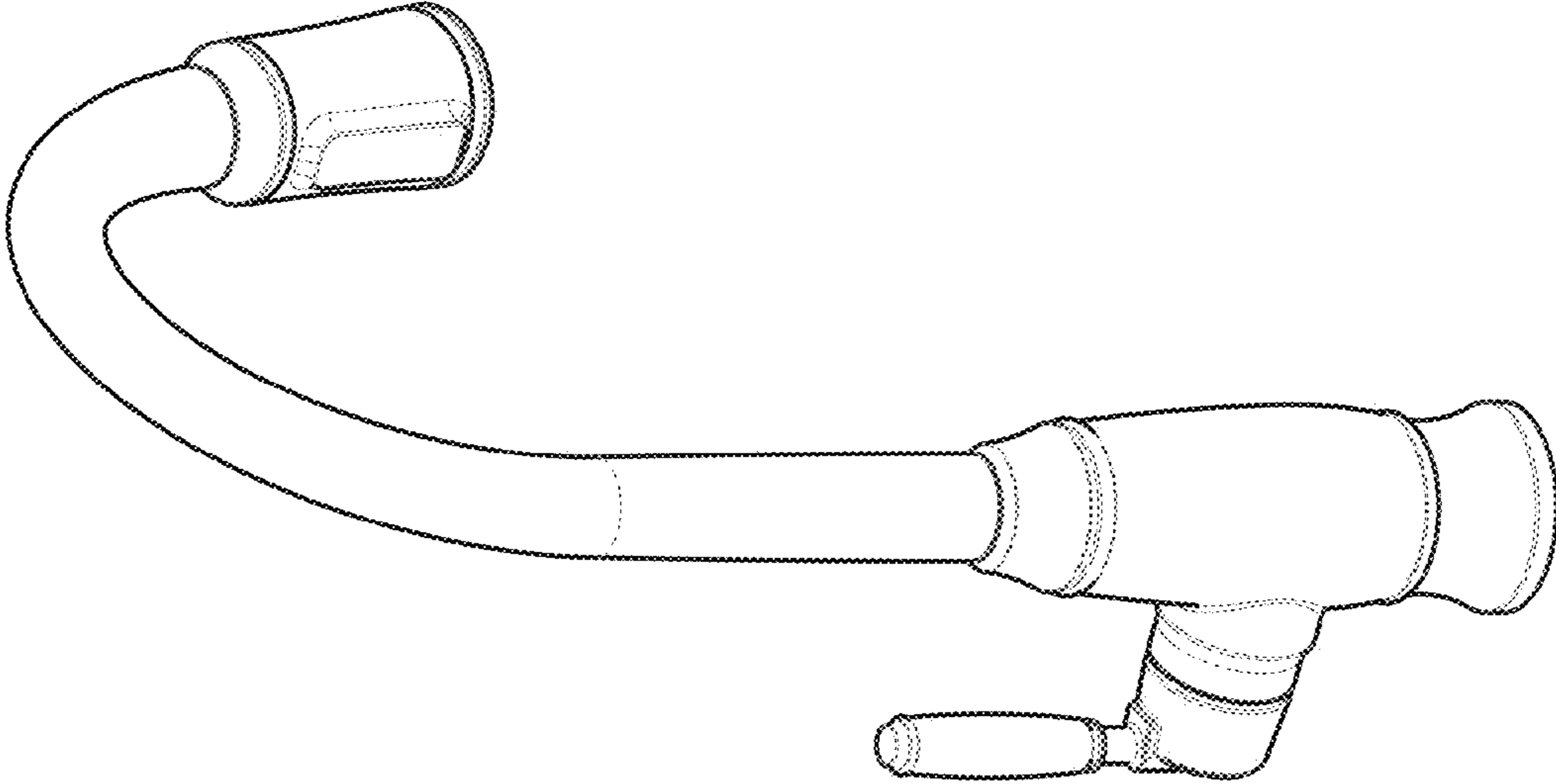


Fig. 1

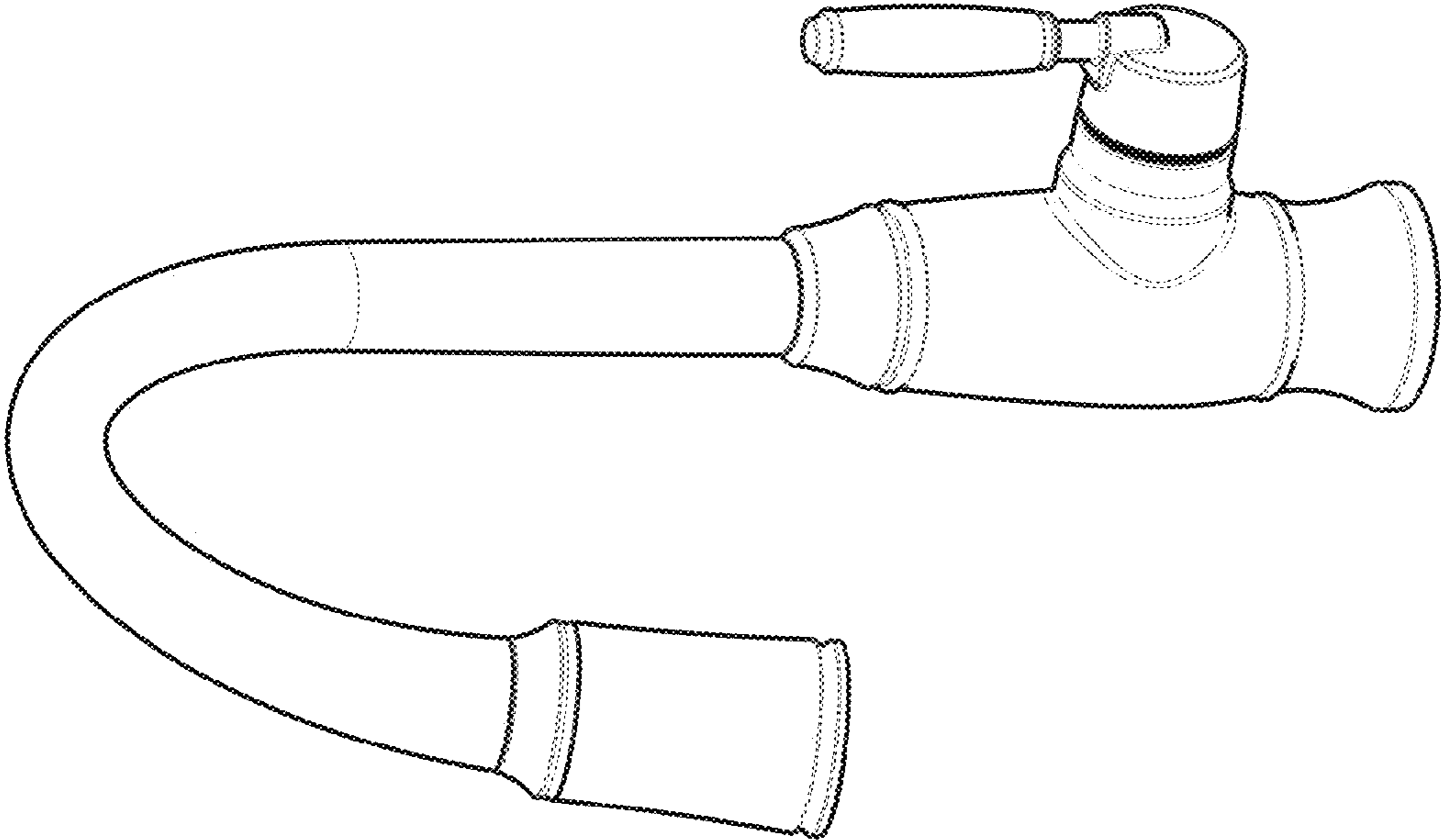


Fig. 2

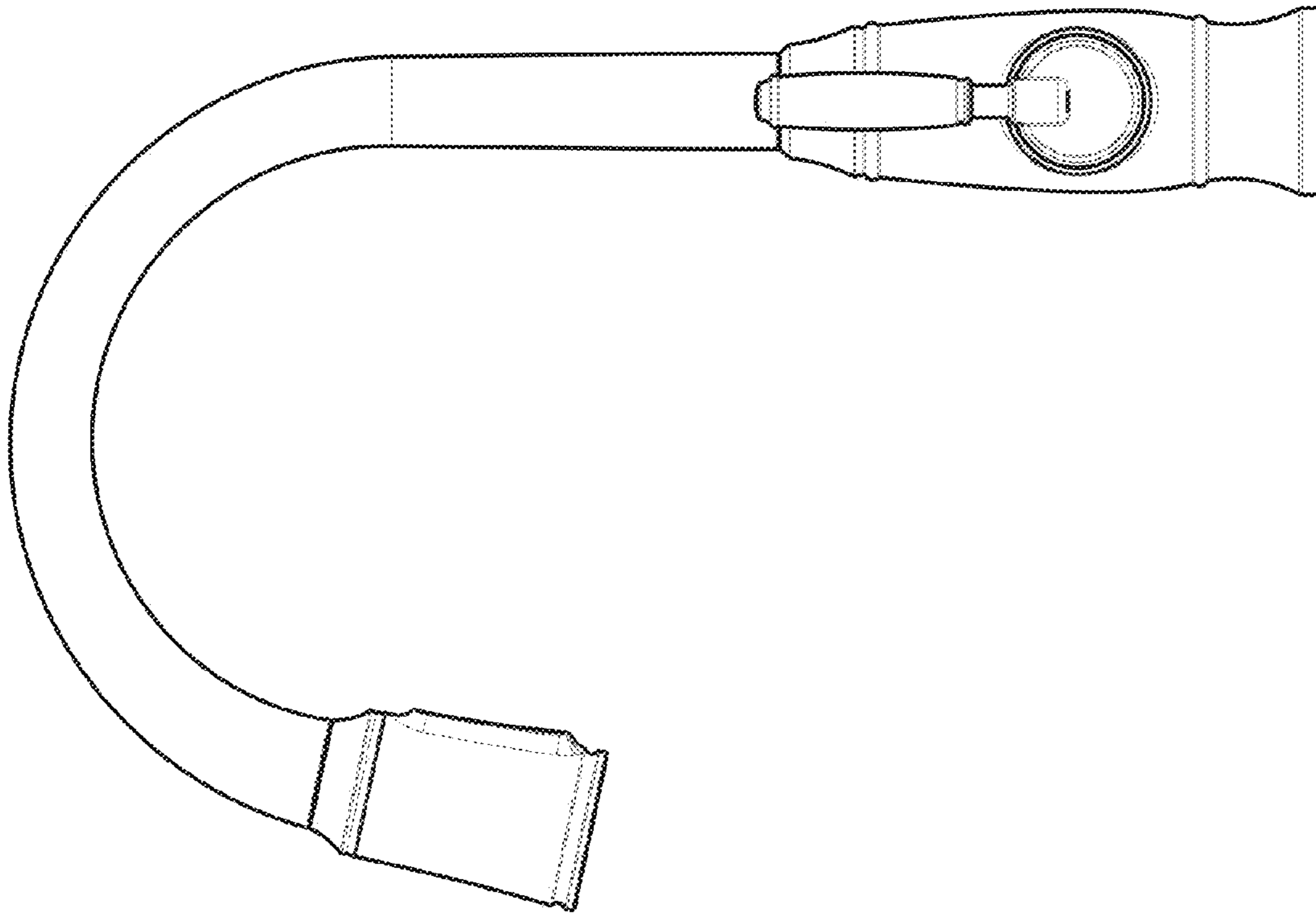


Fig. 4

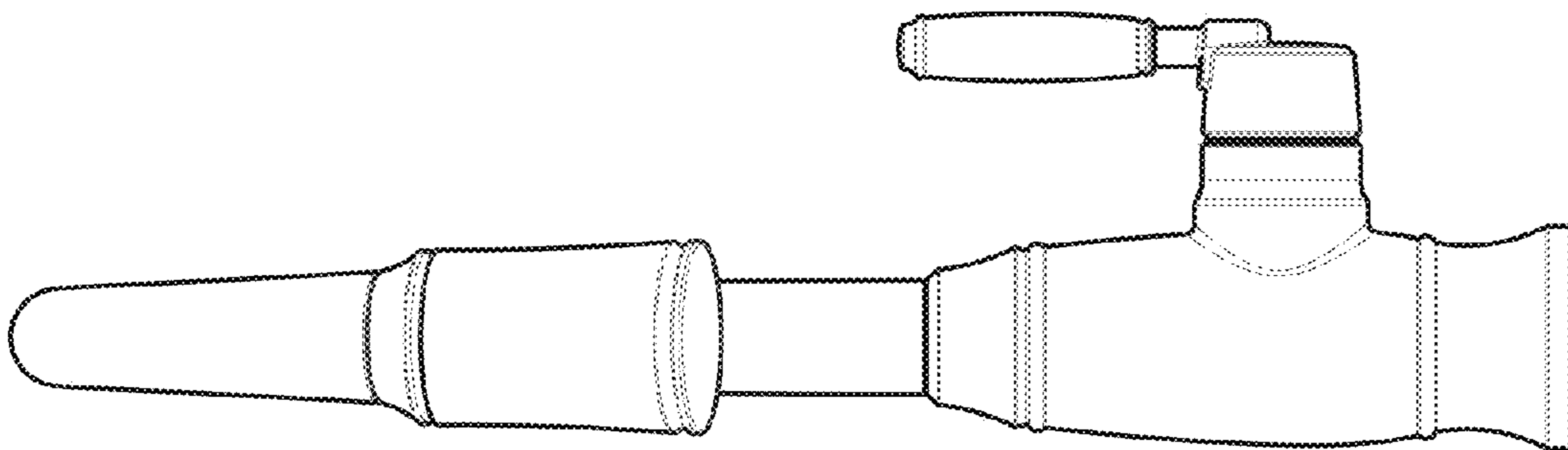


Fig. 3

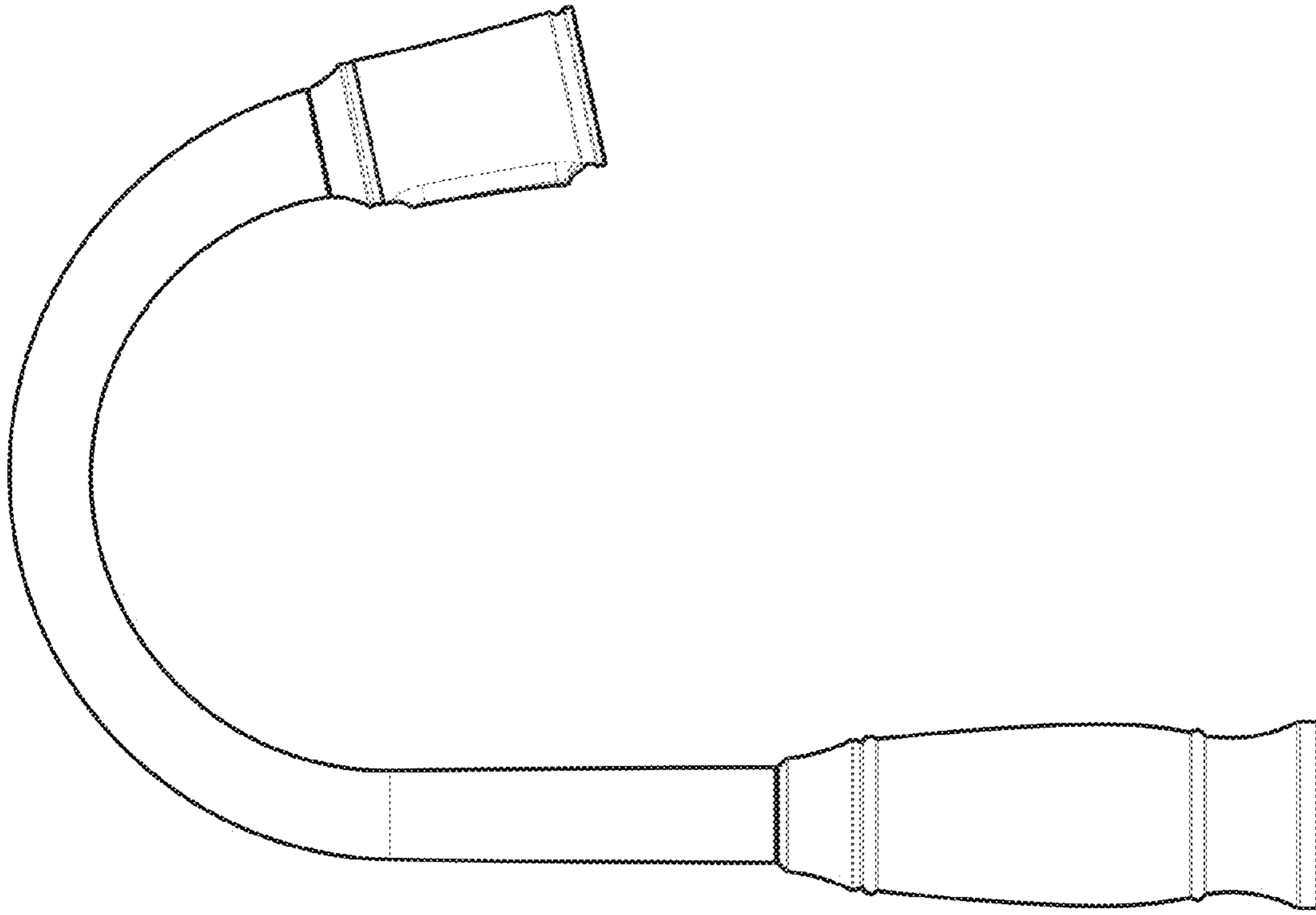


Fig. 6

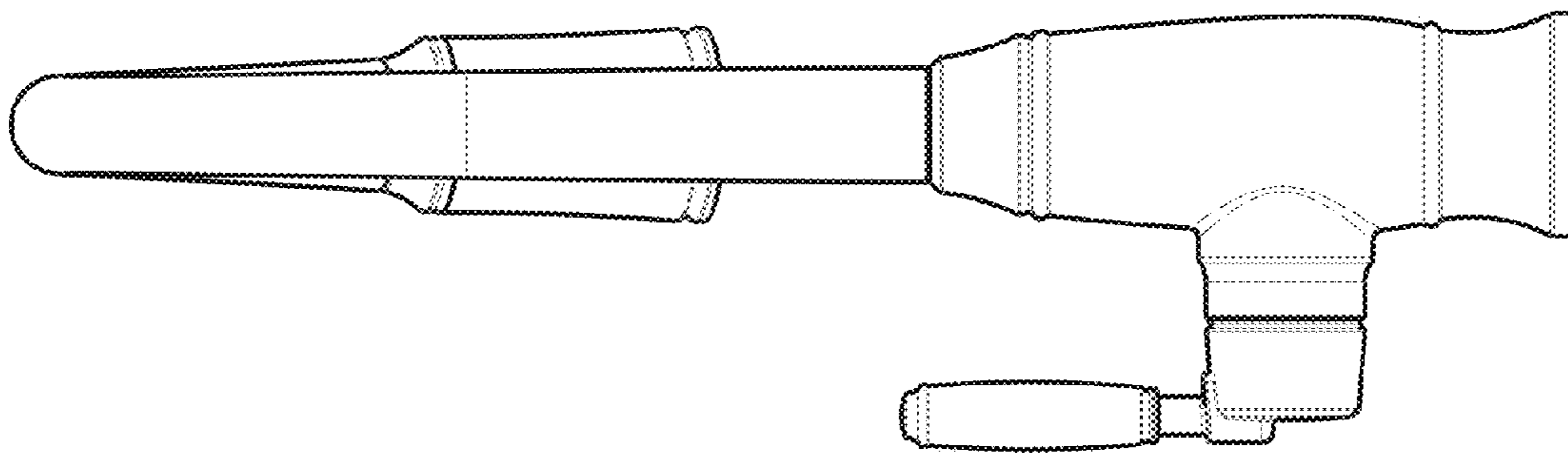


Fig. 5

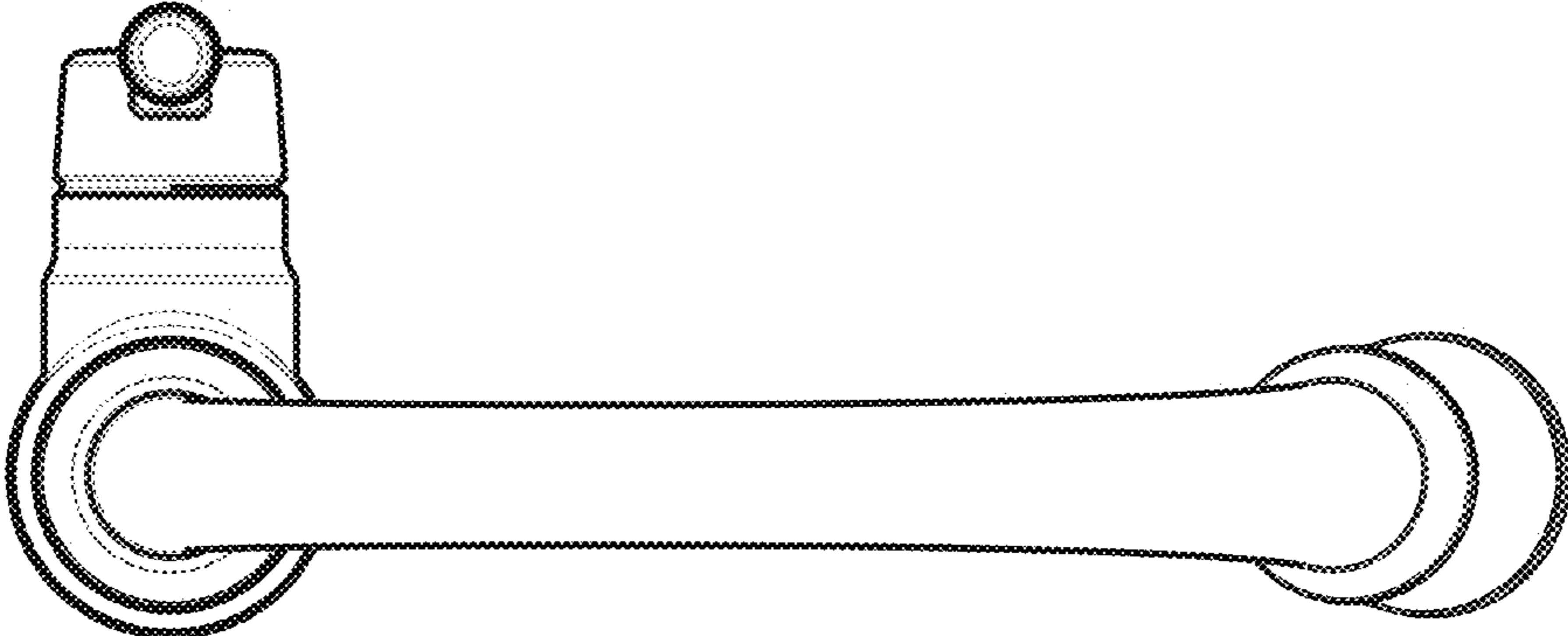


Fig. 7