



US00D870850S

(12) **United States Design Patent**
Allis et al.

(10) **Patent No.:** **US D870,850 S**

(45) **Date of Patent:** **** Dec. 24, 2019**

(54) **CONCENTRATE TANK FOR A SPRAYER**

(71) Applicant: **Chapin Manufacturing, Inc.**, Batavia, NY (US)

(72) Inventors: **Morgan Allis**, Batavia, NY (US);
James R. Fontaine, Marilla, NY (US);
David Dubiel, N. Chili, NY (US)

(73) Assignee: **Chapin Manufacturing, Inc.**, Batavia, NY (US)

(**) Term: **15 Years**

(21) Appl. No.: **29/625,324**

(22) Filed: **Nov. 8, 2017**

(51) **LOC (12) Cl.** **23-01**

(52) **U.S. Cl.**
USPC **D23/225; D23/202**

(58) **Field of Classification Search**
USPC D10/46, 104.1; D15/5, 7, 10, 145, 146;
D23/200, 206, 207, 209, 213, 223, 245,
D23/249, 250, 499

CPC B05B 9/0816; A01G 25/00; A01M 7/0032
See application file for complete search history.

(56) **References Cited**

U.S. PATENT DOCUMENTS

2,788,245	A	4/1957	Gilmour	
4,790,454	A	12/1988	Clark et al.	
5,086,582	A	2/1992	Hamilton	
D402,541	S *	12/1998	Odessa	D9/691
5,941,416	A	8/1999	Balz et al.	
D527,789	S *	9/2006	Thompson	D23/202
D547,416	S *	7/2007	Hillhouse	D23/202
D567,897	S *	4/2008	Hillhouse	D23/202
D570,447	S *	6/2008	Hillhouse	D23/202
D582,000	S *	12/2008	Campbell	D23/202
D604,386	S *	11/2009	Campbell	D23/202
D605,663	S *	12/2009	Hopper	D15/7
D609,773	S *	2/2010	Abernethy	D23/202
D610,746	S *	2/2010	Hsu	D28/54.1
D625,388	S *	10/2010	Cook	D23/202
D678,070	S *	3/2013	Meeks	D9/521
D725,742	S *	3/2015	Kennemer	D23/225

(Continued)

OTHER PUBLICATIONS

Chapin Concentrate Tank, posted on chapinfg.com, no posted date given, no production date given [online], [site visited May 15, 2019], Available from Internet, URL: <https://chapinmfg.com/Product/slug/Chapin-6-8061-Concentrate-Tank-For-Chapin-97561-Accessory-Replacement> (Year: 2019).*

(Continued)

Primary Examiner — Michael C Stout

Assistant Examiner — Fritzgerald L Butac

(74) *Attorney, Agent, or Firm* — Woods Oviatt Gilman LLP; Katherine H. McGuire, Esq.

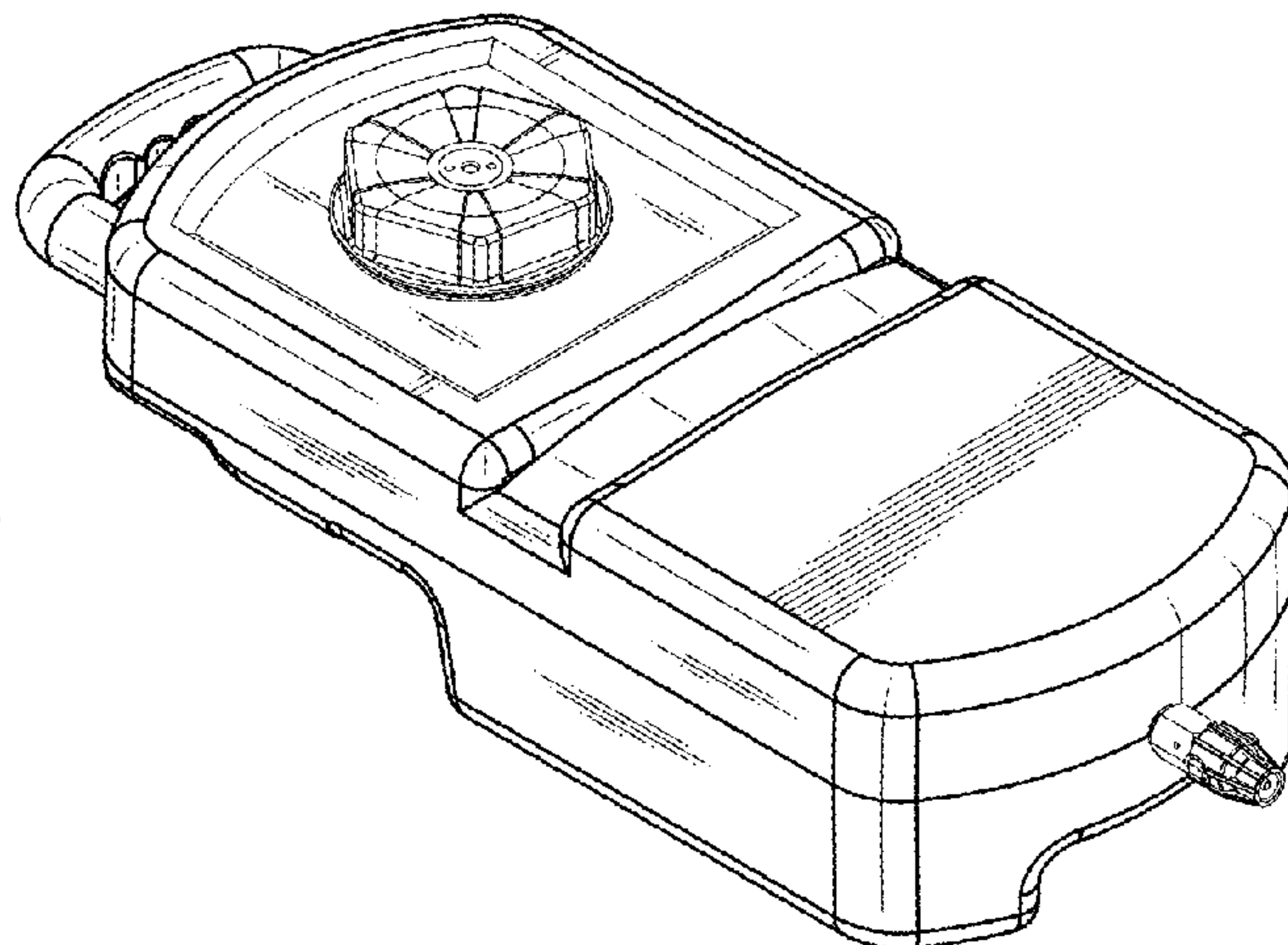
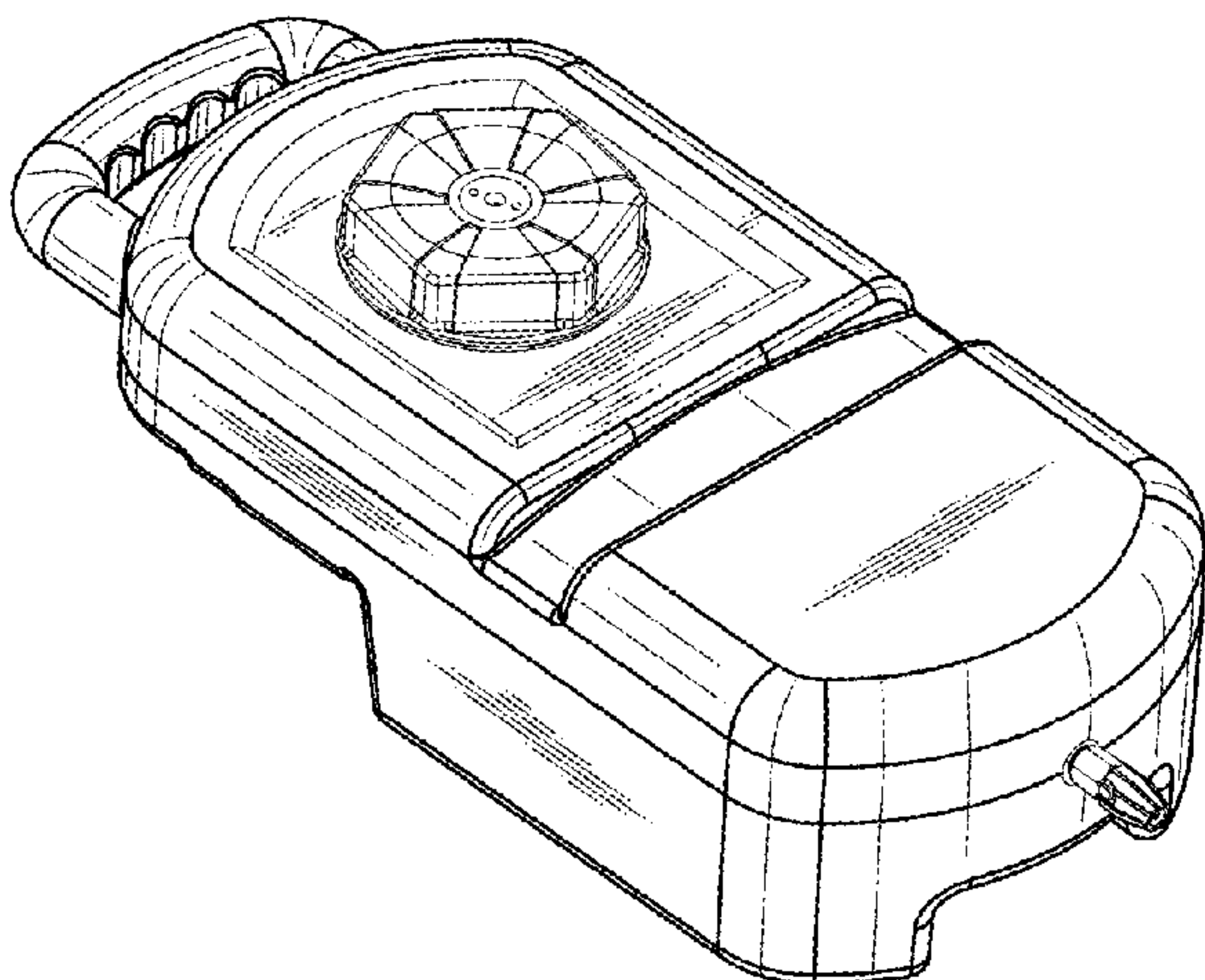
(57) **CLAIM**

The ornamental design for the concentrate tank for a sprayer, as shown and described.

DESCRIPTION

FIG. 1 is a front perspective view of a first embodiment of a concentrate tank for a sprayer of our new design; FIG. 2 is a left side view thereof; FIG. 3 is a right side view thereof; FIG. 4 is a front view thereof; FIG. 5 is a back view thereof; FIG. 6 is a top view thereof; FIG. 7 is a bottom view thereof; FIG. 8 is a front perspective view of a second embodiment of a concentrate tank for a sprayer of our new design; FIG. 9 is a left side view thereof; FIG. 10 is a right side view thereof; FIG. 11 is a front view thereof; FIG. 12 is a back view thereof; FIG. 13 is a top view thereof; and, FIG. 14 is a bottom view thereof.

1 Claim, 8 Drawing Sheets



(56)

References Cited

U.S. PATENT DOCUMENTS

D780,291 S * 2/2017 Schrum D23/225
 D808,438 S * 1/2018 Wakabayashi D15/7
 D809,021 S * 1/2018 Luke D15/7
 D809,022 S * 1/2018 Luke D15/7
 D809,882 S * 2/2018 Rosenbaum D8/2
 10,005,095 B2 * 6/2018 Voelker B05B 9/0426
 D822,163 S * 7/2018 Bluhm D23/225
 D822,164 S * 7/2018 Bluhm D23/225
 D830,546 S * 10/2018 Lacy D24/127
 D841,127 S * 2/2019 Butler D23/225
 2011/0079659 A1 4/2011 Wilken et al.
 2019/0030554 A1 * 1/2019 Mantes B05B 9/0888
 2019/0105672 A1 * 4/2019 Allis A01M 7/0042
 2019/0105674 A1 * 4/2019 Fontaine B05B 7/12
 2019/0105675 A1 * 4/2019 Allis B05B 7/26
 2019/0118203 A1 * 4/2019 Fontaine B05B 9/0877

OTHER PUBLICATIONS

NorthStar ATV Spot Sprayer—10-Gallon Capacity, 1 GPM, 12 Volt;
http://www.northerntool.com/shop/tools/product_200631851_200631851?cm_mmc=Google-pla&utm_source=Google_PLA&utm_medium=Lawn%20%2B%20Garden%20%3E%20Sprayers%20%3E%20Broadcast%20%2B%20Spot%20Sprayers&utm_campaign=NorthStar&utm_content=2681022&gclid=Cj0KCQjw8b_MBRDcARIsAKJE7ImwtL81IIMUbQLnG0bzly3KSQs0wh5BeQojYUjxt-ESz0hdaopvW_0aAorHEALw_wcB (Accessed Aug. 1, 2017).
 Lawn Care Sprayers; <http://riverbendind.com/lawncare-sprayers/> (Accessed Aug. 1, 2017).
 Dual Tank Poly Skid Sprayers; <http://www.randkpump.com/> (Accessed Aug. 1, 2017).

* cited by examiner

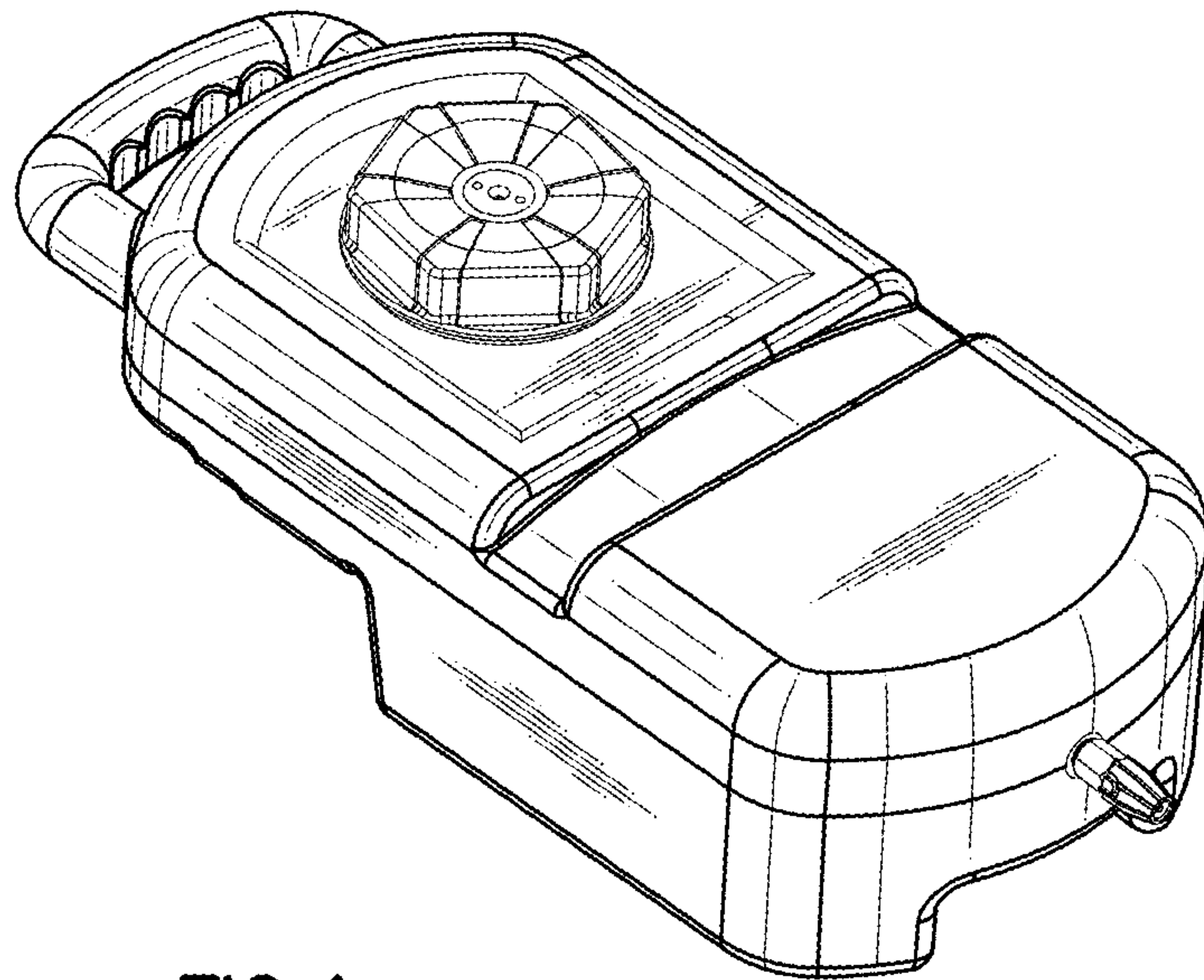


FIG. 1

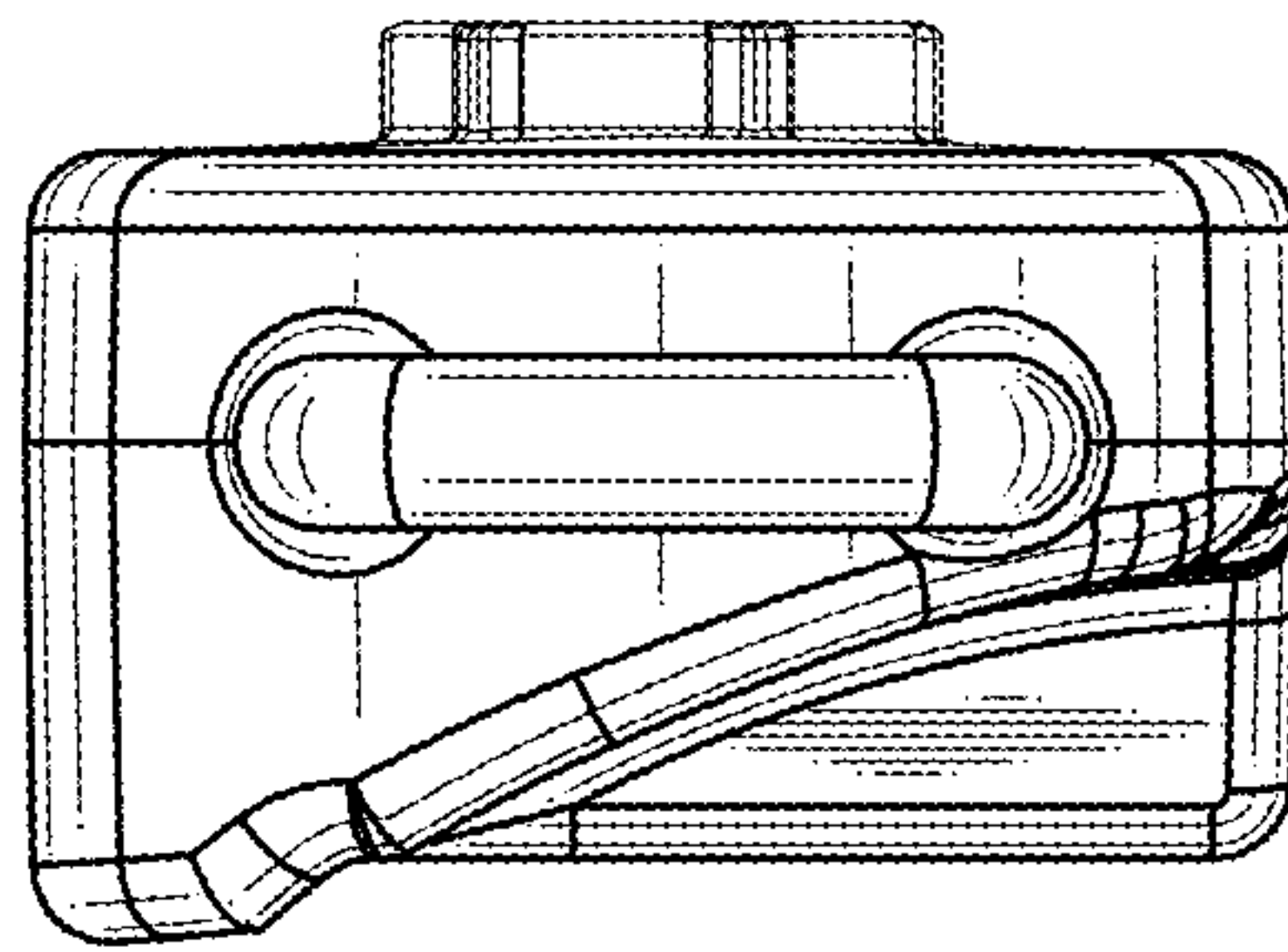


FIG. 2

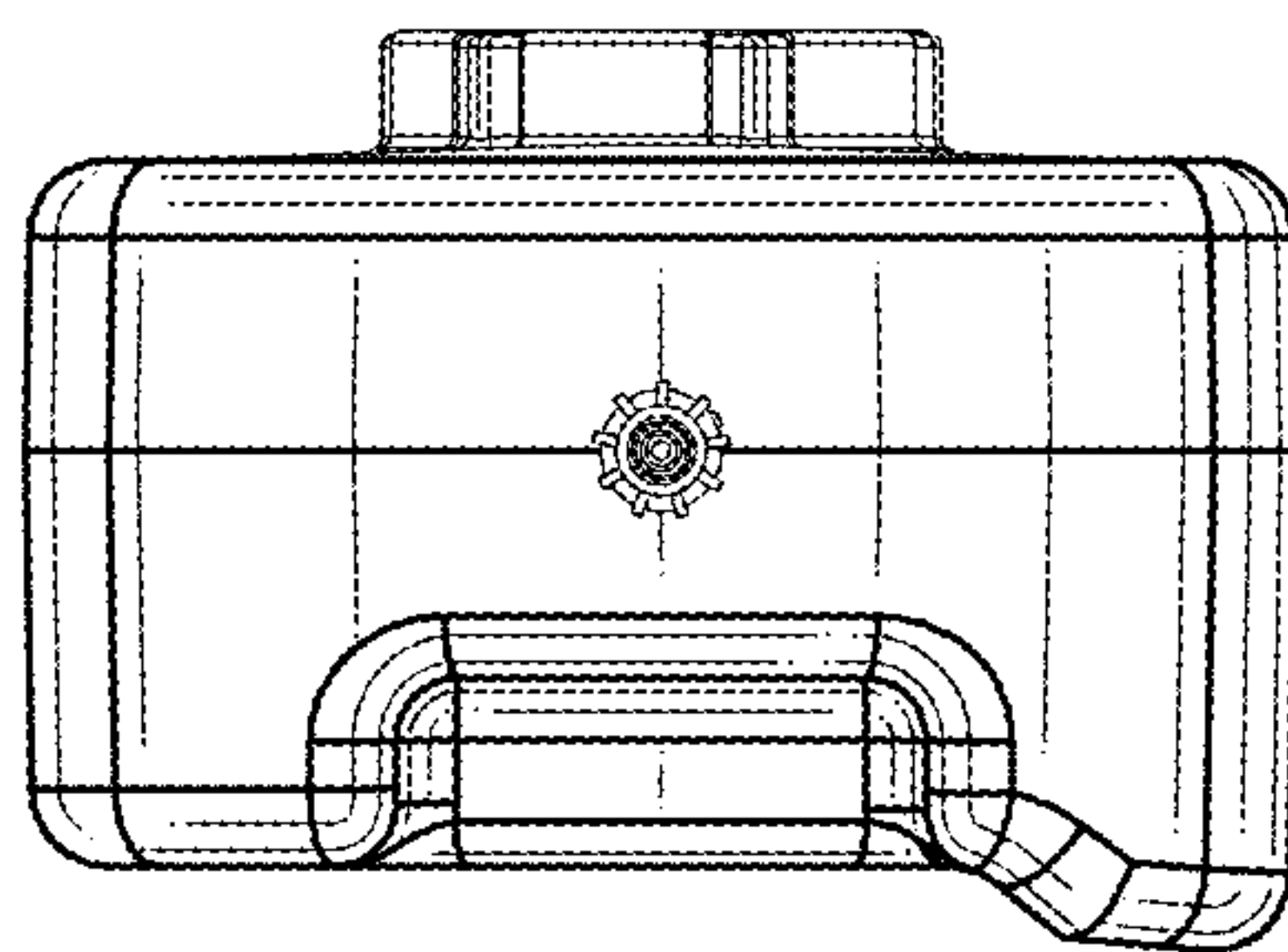


FIG. 3

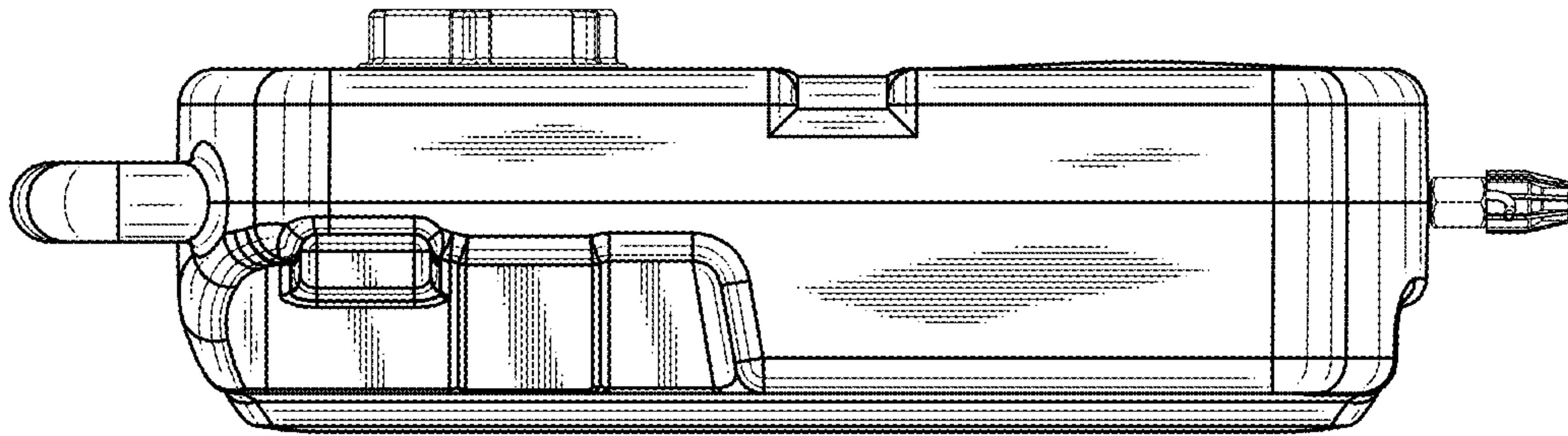


FIG.4

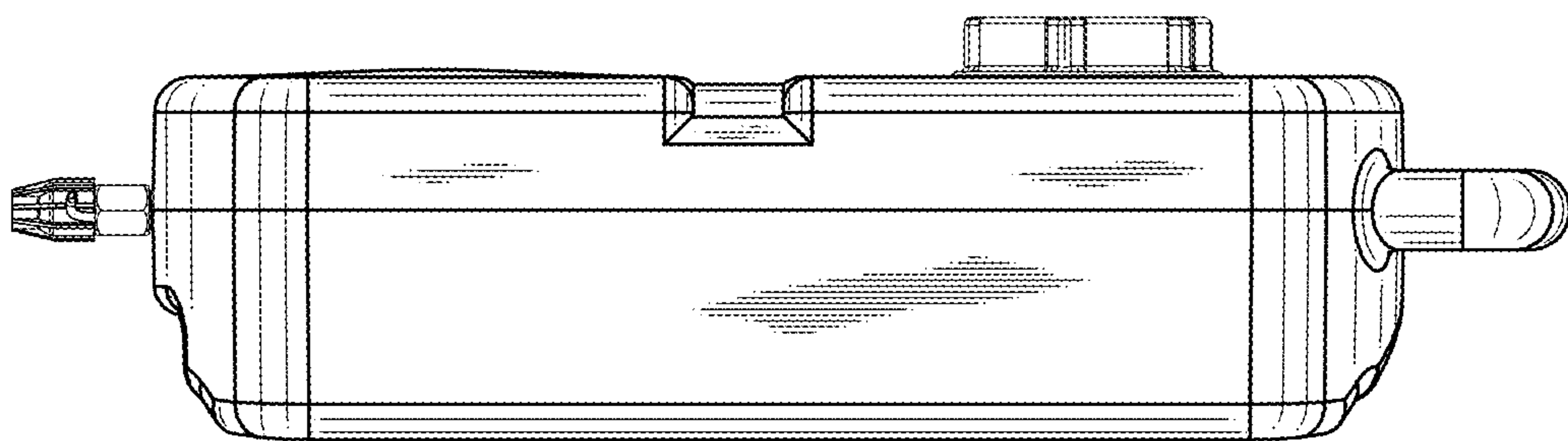


FIG.5

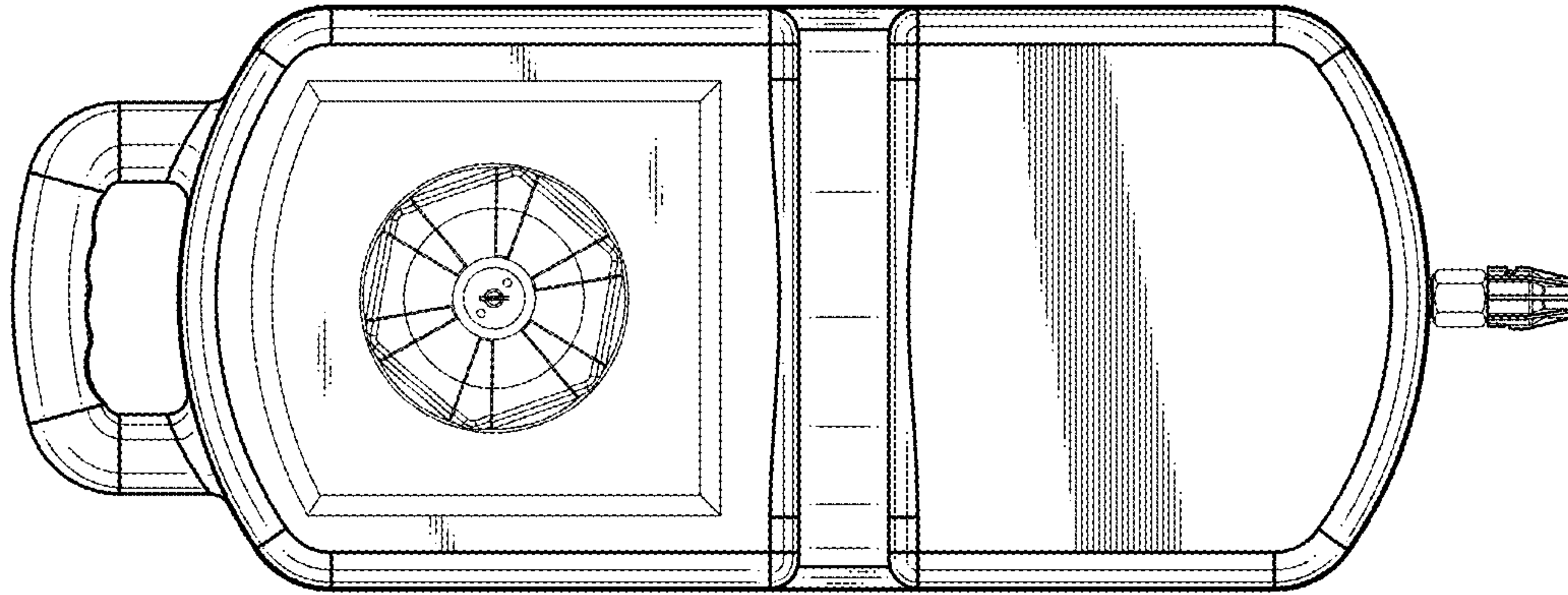


FIG. 6

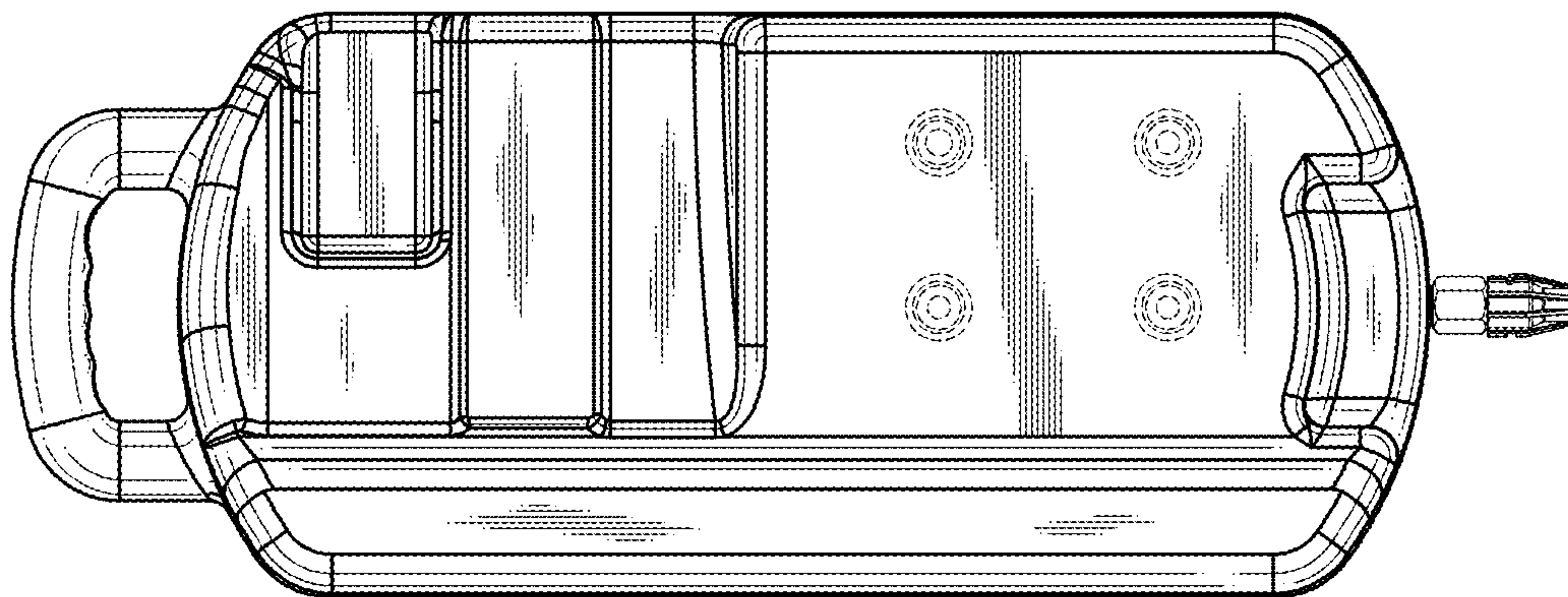


FIG. 7

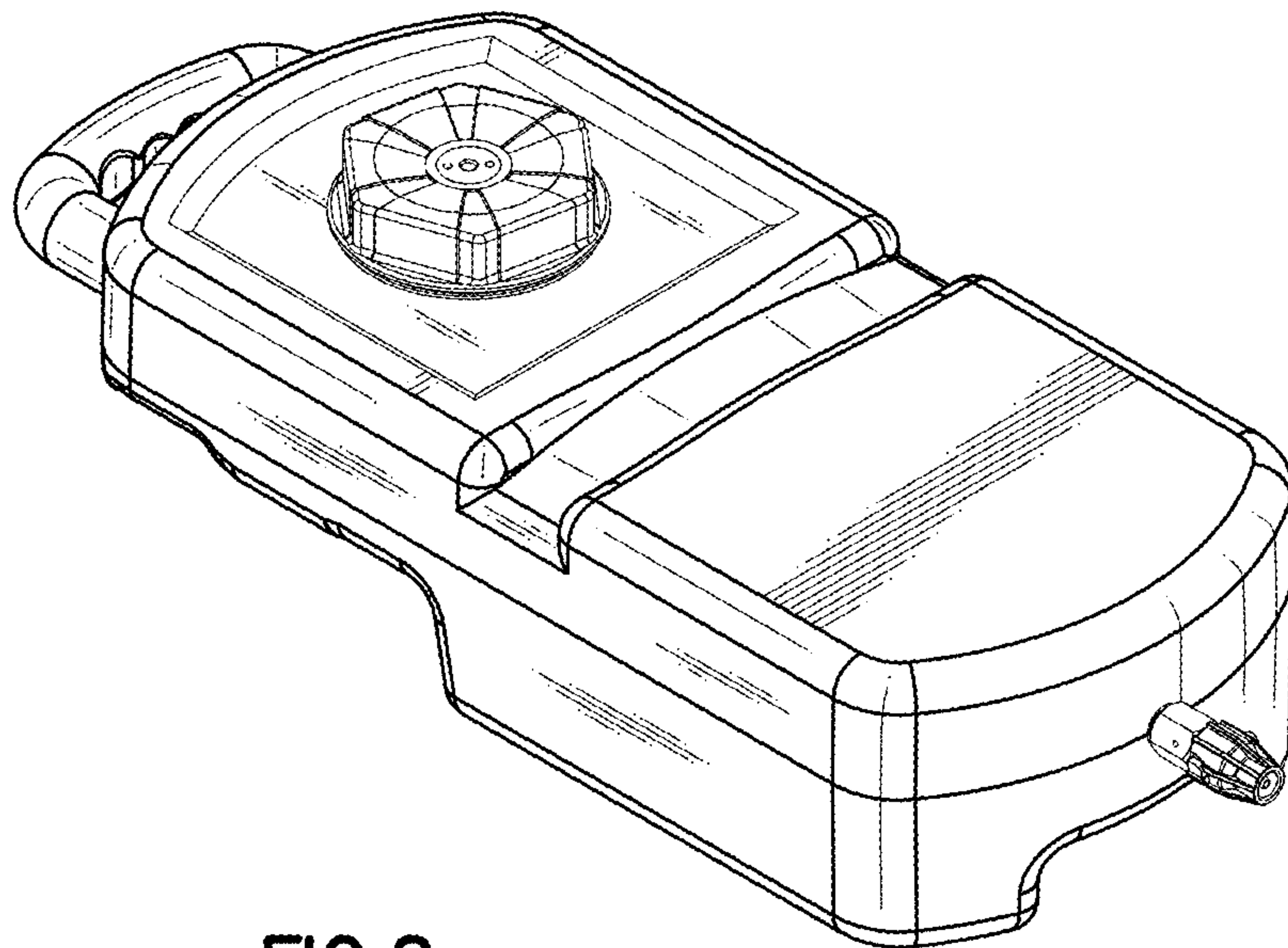


FIG.8

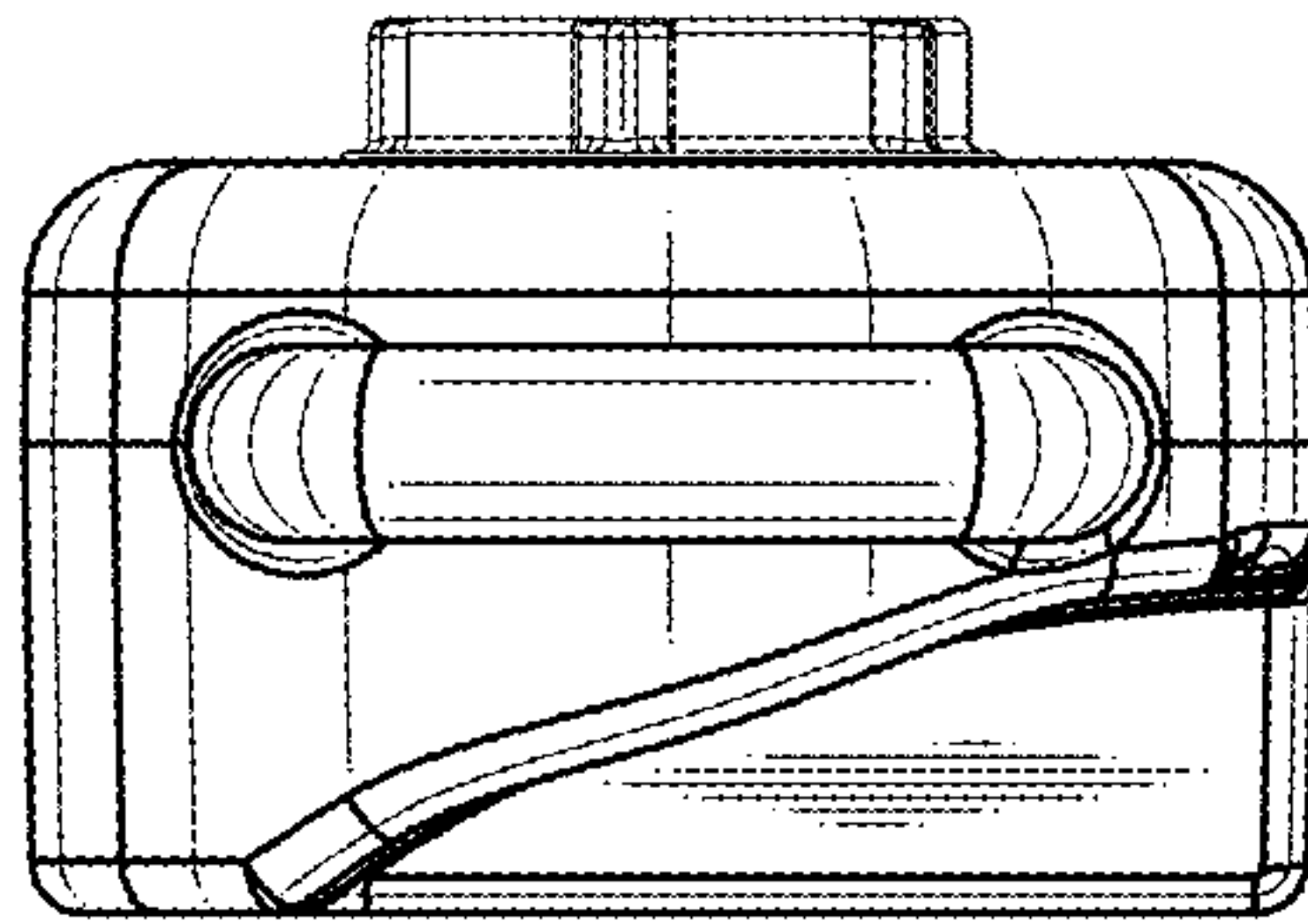


FIG. 9

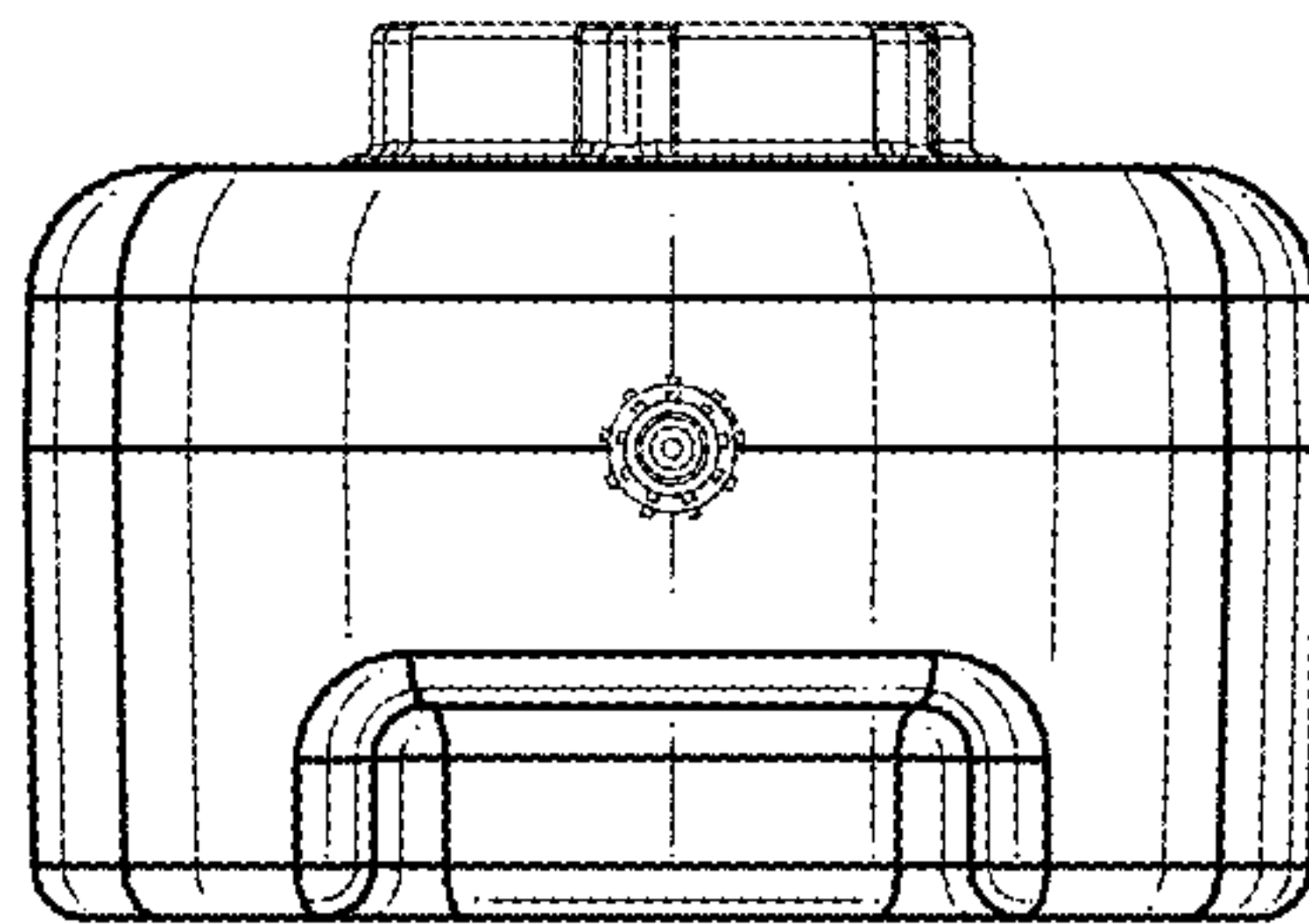


FIG. 10

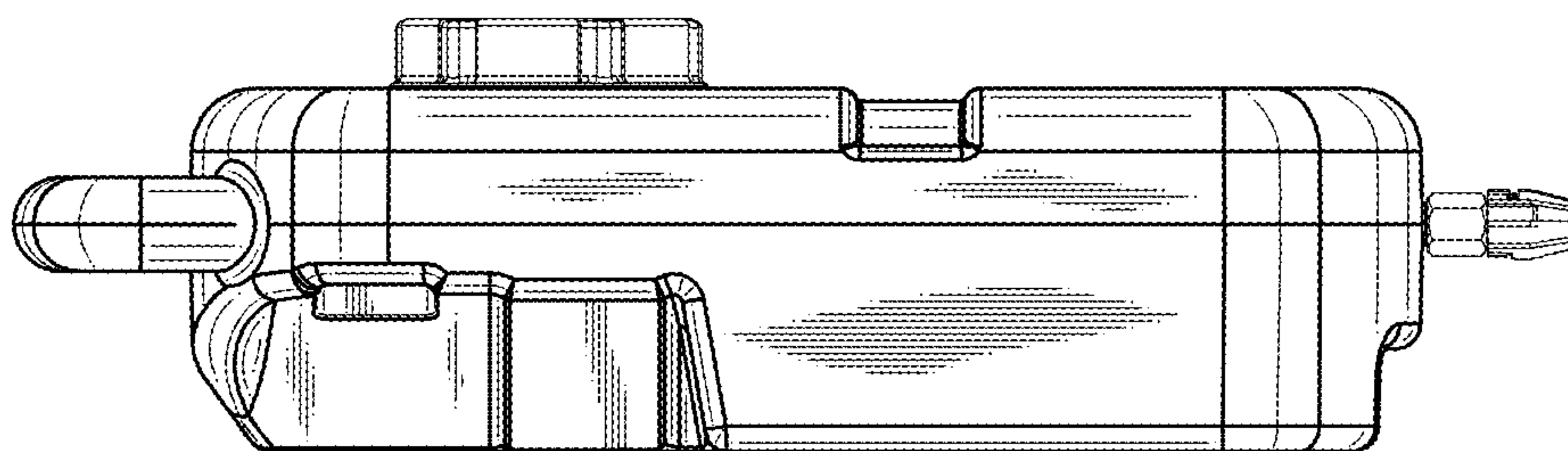


FIG.11

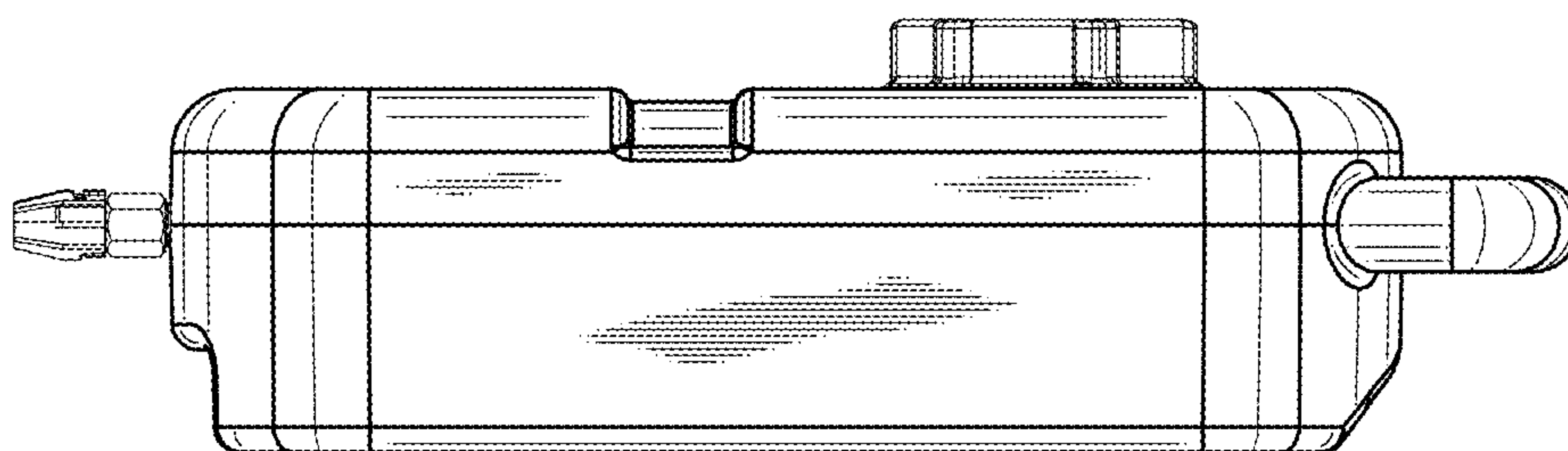


FIG.12

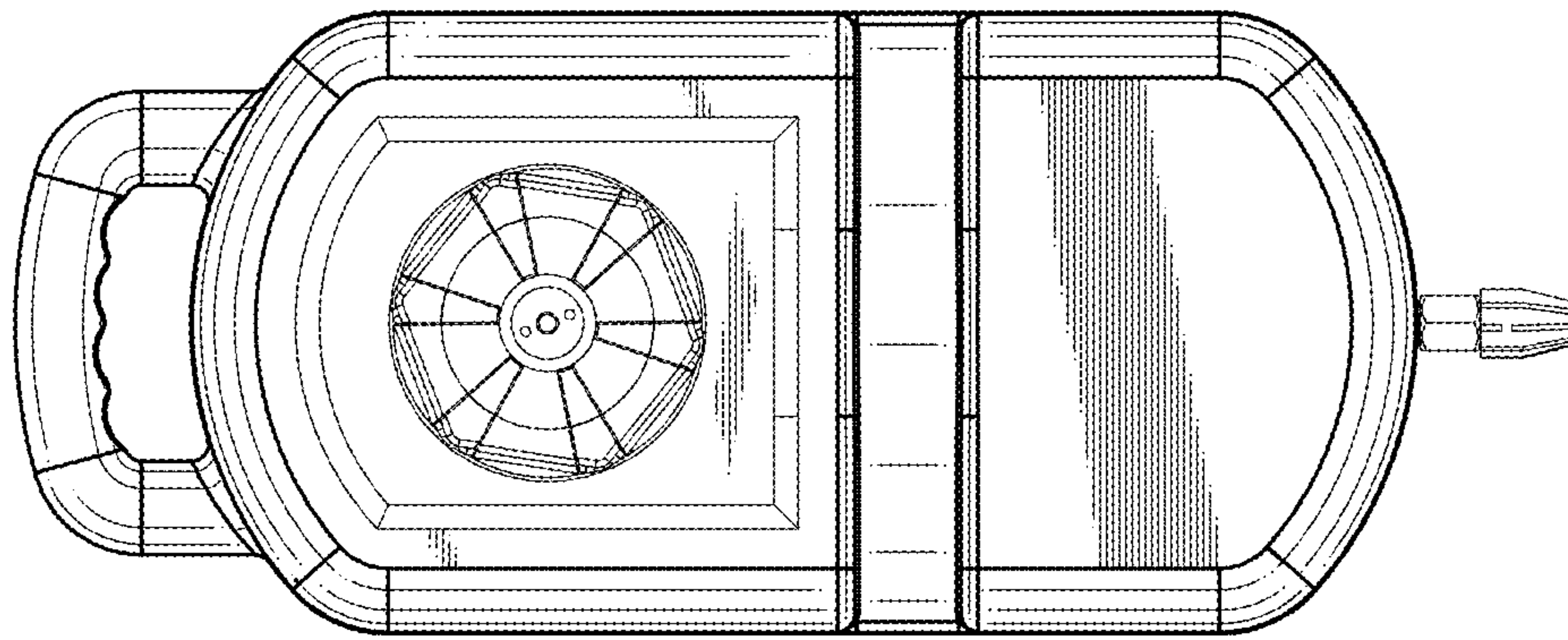


FIG.13

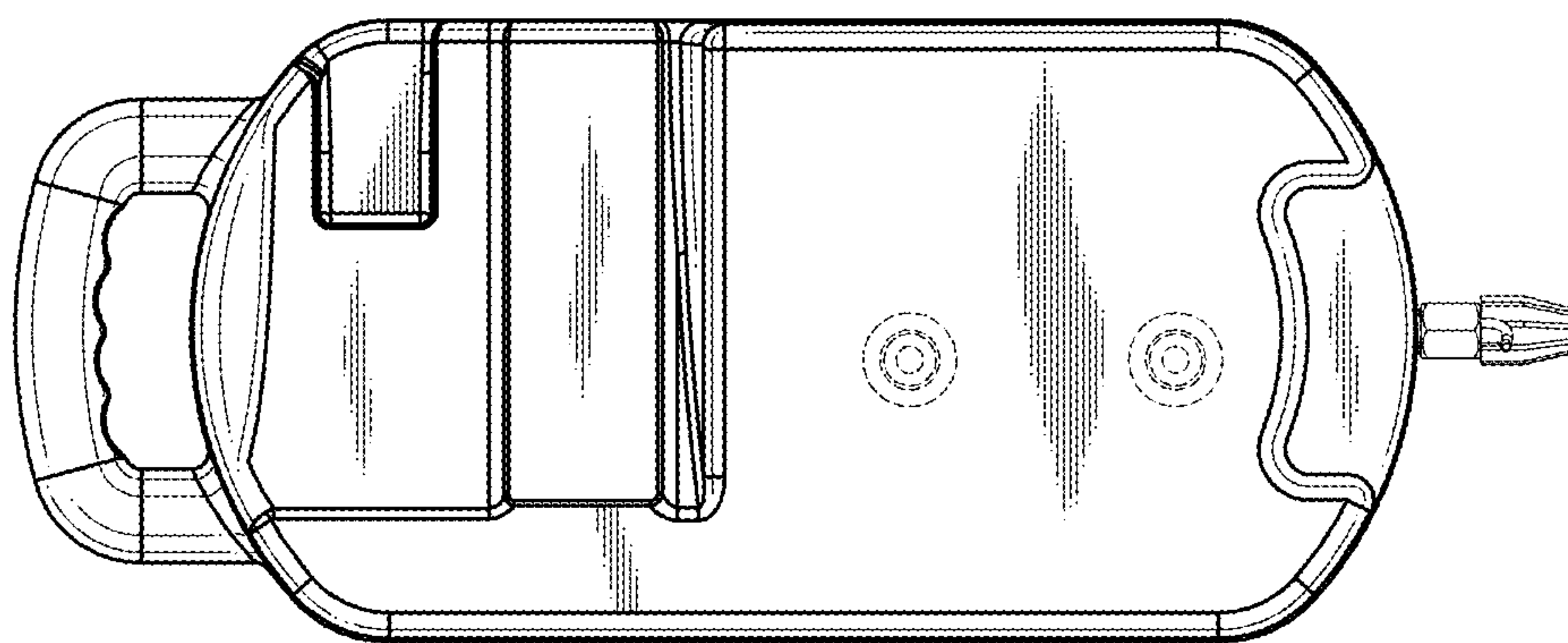


FIG.14