



US00D870849S

(12) **United States Design Patent**
Sesser

(10) **Patent No.:** **US D870,849 S**

(45) **Date of Patent:** **** Dec. 24, 2019**

(54) **DEFLECTOR PLATE**

(71) Applicant: **Nelson Irrigation Corporation**, Walla Walla, WA (US)

(72) Inventor: **George L. Sesser**, Walla Walla, WA (US)

(73) Assignee: **NELSON IRRIGATION CORPORATION**, Walla Walla, WA (US)

(**) Term: **15 Years**

(21) Appl. No.: **29/656,174**

(22) Filed: **Jul. 11, 2018**

(51) **LOC (12) Cl.** **23-01**

(52) **U.S. Cl.**
USPC **D23/214**

(58) **Field of Classification Search**
USPC D23/213, 214, 221, 222, 223, 226, 227, D23/229, 230, 364, 366; D8/8; D9/521, D9/529, 687; D12/400; D15/139; D32/41, 42, 49; D4/118
CPC A62C 31/02; A62C 31/03; B05B 1/304; B05B 1/308; B65D 47/247; B65D 47/24; B65D 47/32; B65D 47/06
See application file for complete search history.

(56) **References Cited**

U.S. PATENT DOCUMENTS

D260,169 S *	8/1981	Vikre	D23/214
4,967,961 A *	11/1990	Hunter	A62C 37/10
				239/240
D312,865 S *	12/1990	Davisson	D23/214
5,620,141 A *	4/1997	Chiang	B05B 3/0422
				239/206
D400,547 S *	11/1998	Albrektsson	D15/139
D403,003 S *	12/1998	Arfele	D15/139
6,688,539 B2 *	2/2004	Vander Griend	B05B 3/0486
				239/214.13

D665,953 S *	8/2012	Leary	A01K 13/001
				D30/158
D712,445 S *	9/2014	Jang	D15/139
D823,909 S *	7/2018	Kawakami	D15/139
2004/0195360 A1 *	10/2004	Walker	B05B 3/0422
				239/225.1
2006/0006254 A1 *	1/2006	Meyer	B05B 3/005
				239/214
2010/0038450 A1 *	2/2010	Sesser	B05B 3/008
				239/222.17
2010/0090024 A1 *	4/2010	Hunnicutt	B05B 3/003
				239/204
2014/0110501 A1 *	4/2014	Lawyer	B05B 3/003
				239/222.17

(Continued)

OTHER PUBLICATIONS

Komet Precision Twister Sprinkler w/Standard Deflector [Jul. 10, 2019] found online [Jul. 10, 2019]—<https://irrigationexpress.co.nz/komet-precision-twister-sprinkler-with-standard-deflector.html>.*

Primary Examiner — Lakiya G Rogers

Assistant Examiner — John A Voytek

(74) *Attorney, Agent, or Firm* — Nixon & Vanderhye P.C.

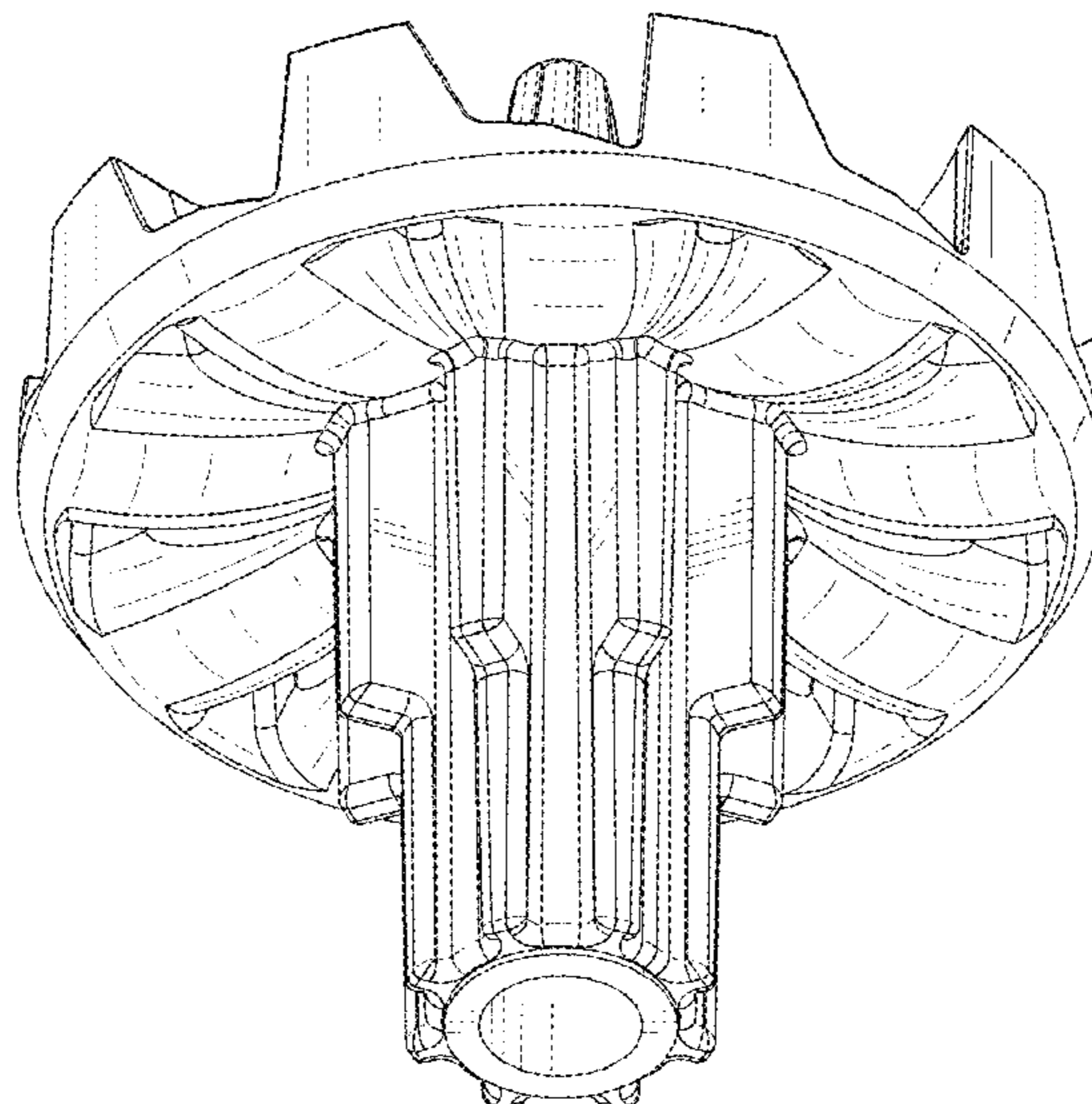
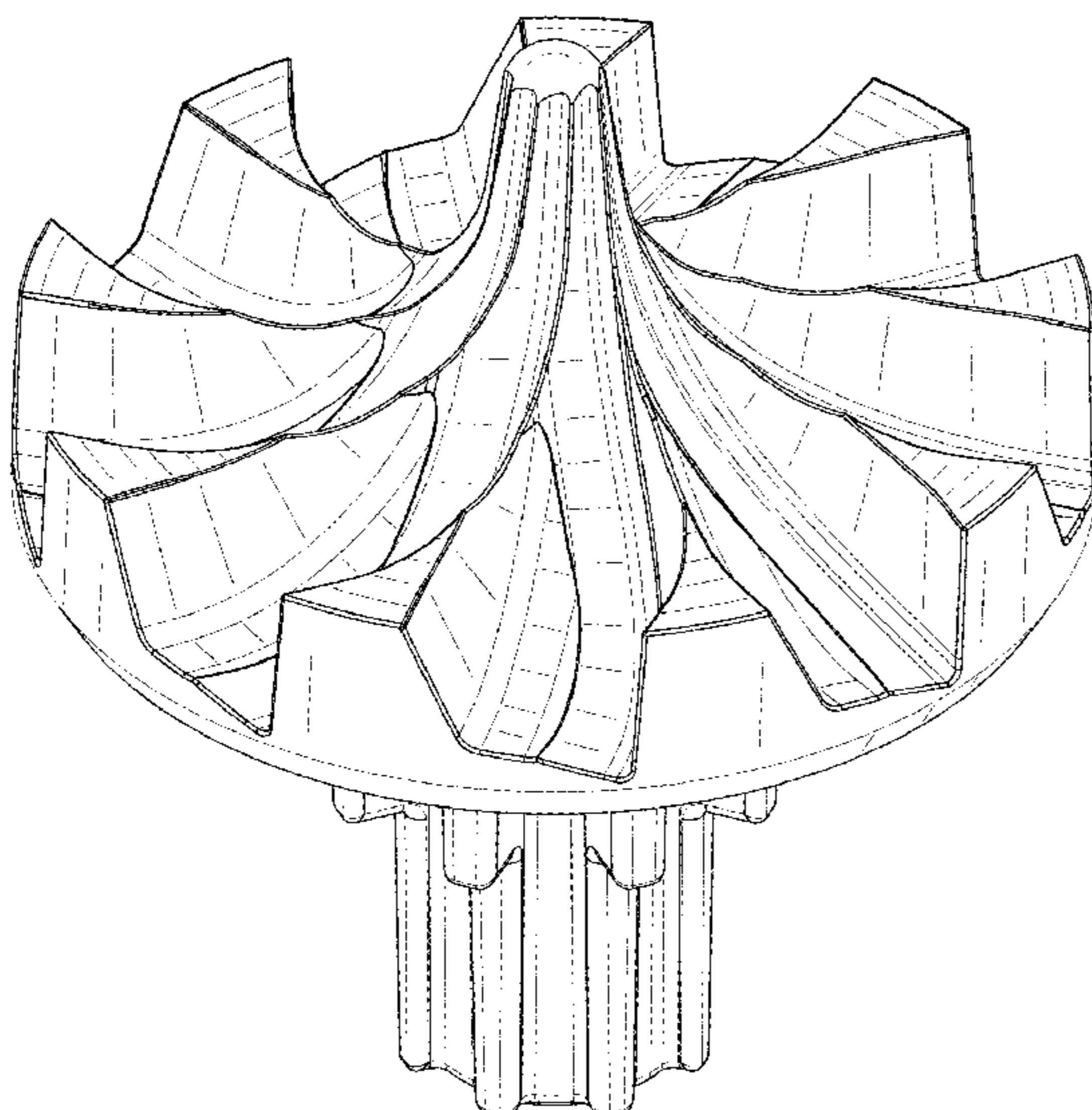
(57) **CLAIM**

The ornamental design for a deflector plate, as shown and described.

DESCRIPTION

FIG. 1 is a top perspective view of a deflector plate according to the invention;
FIG. 2 is a side view thereof;
FIG. 3 is an opposite side view thereof;
FIG. 4 is a top view thereof;
FIG. 5 is a bottom view thereof;
FIG. 6 is a front view thereof;
FIG. 7 is a rear view thereof; and,
FIG. 8 is a bottom perspective view thereof.

1 Claim, 8 Drawing Sheets



(56)

References Cited

U.S. PATENT DOCUMENTS

2014/0339334 A1* 11/2014 Kah, Jr. B05B 3/021
239/222.13
2017/0333924 A1* 11/2017 Sesser B05B 3/005
2018/0361181 A1* 12/2018 Huotari A62C 31/02
2019/0054480 A1* 2/2019 Sesser B05B 3/0486

* cited by examiner

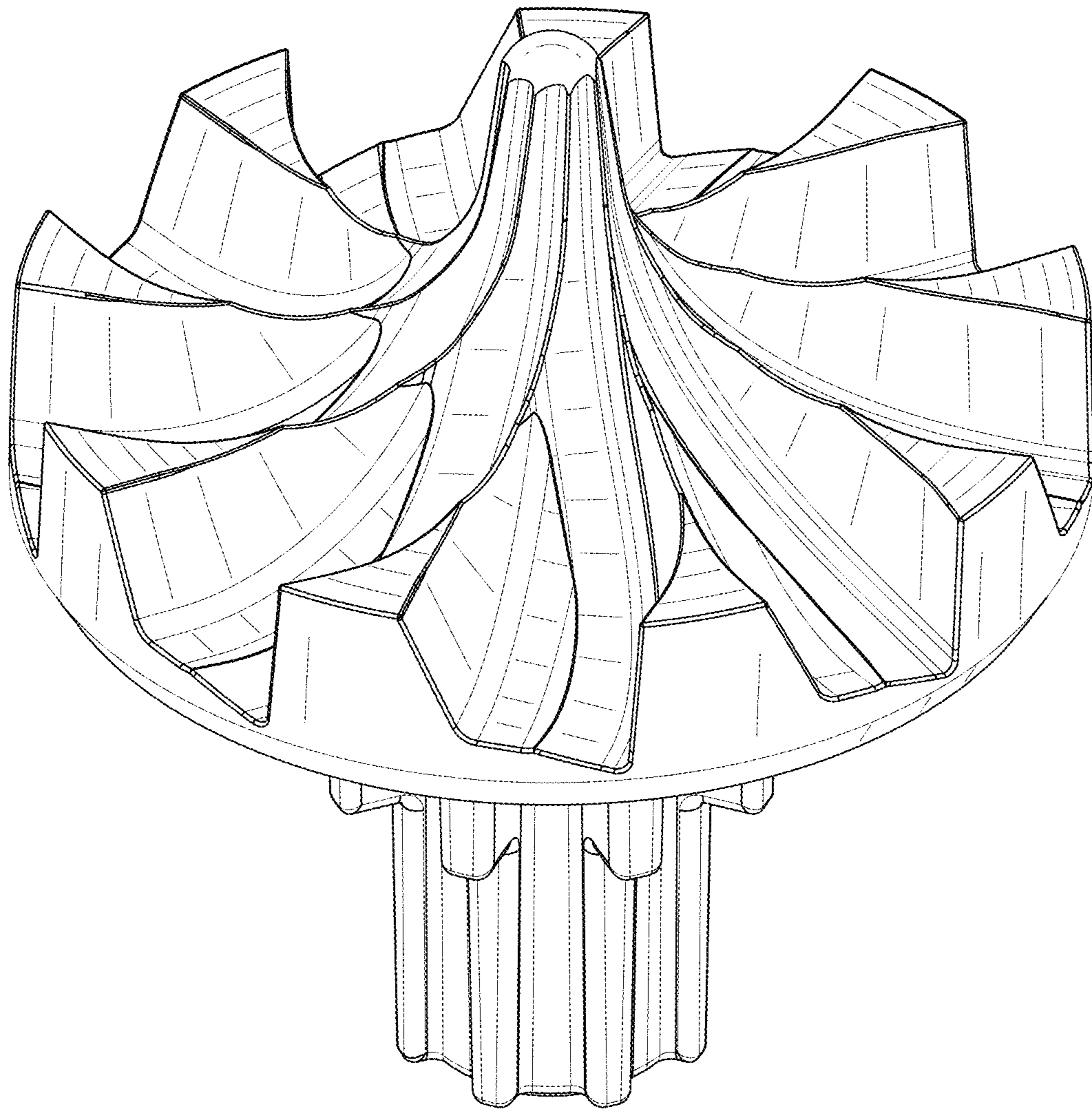


Fig. 1

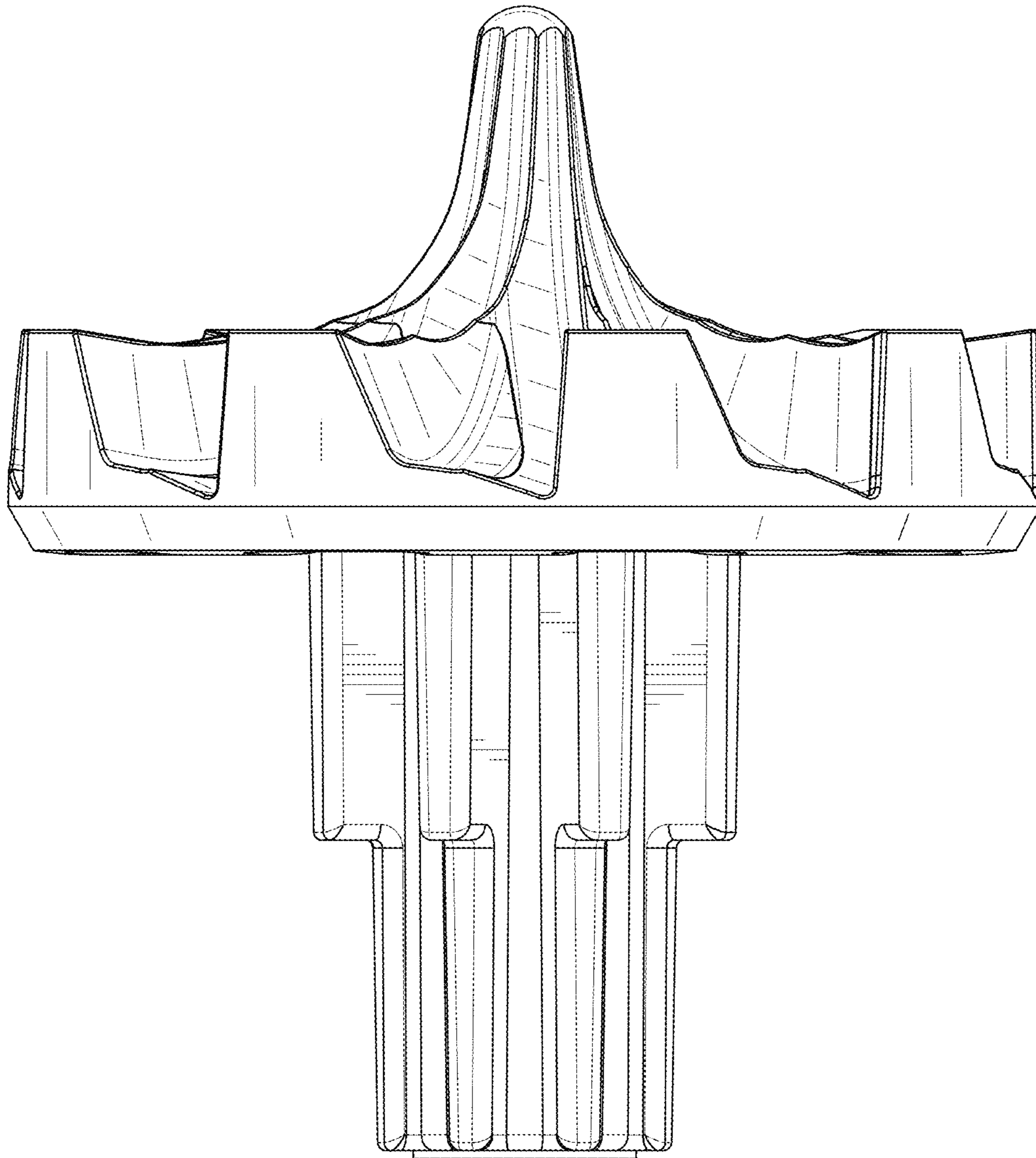


Fig. 2

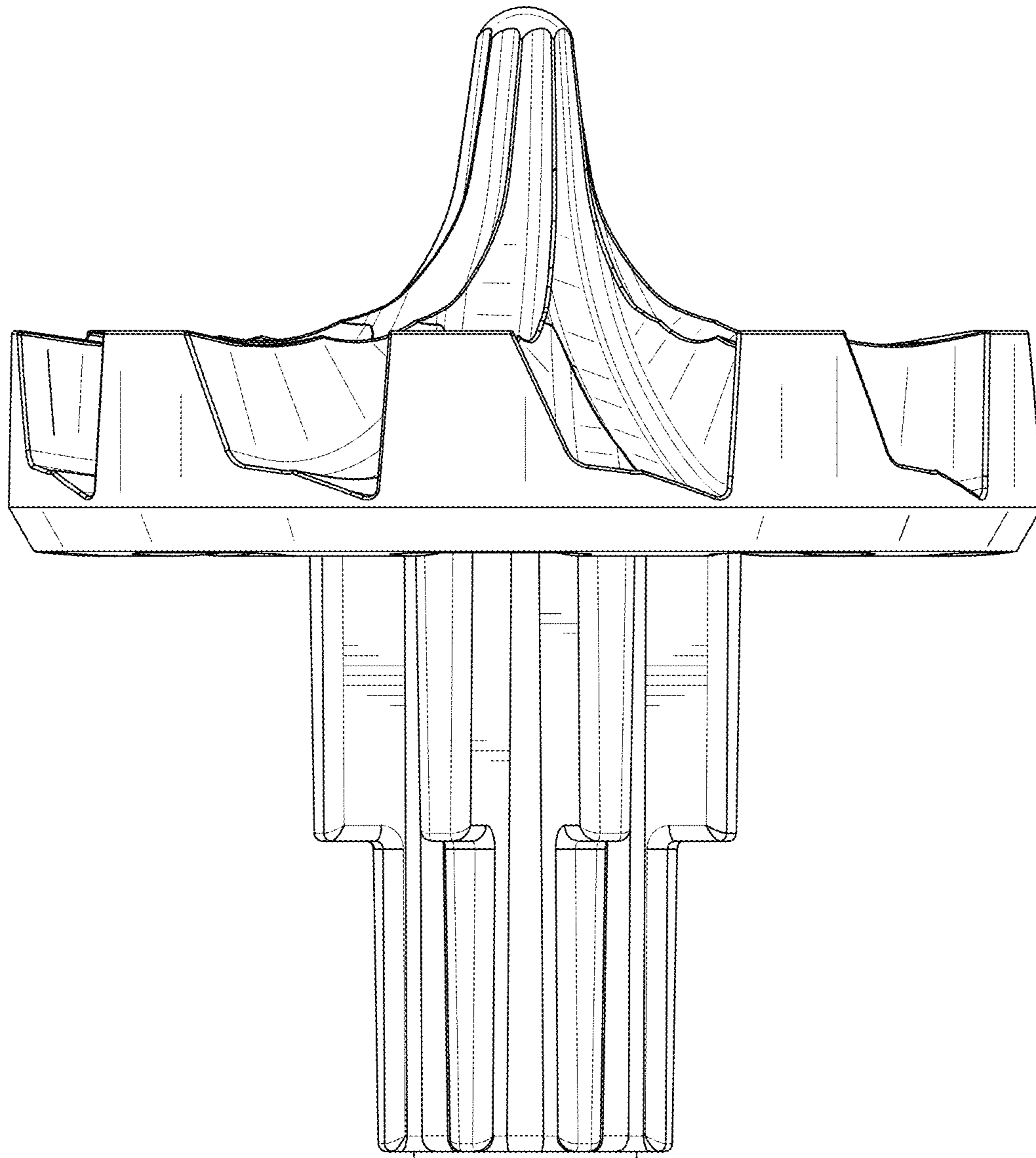


Fig. 3

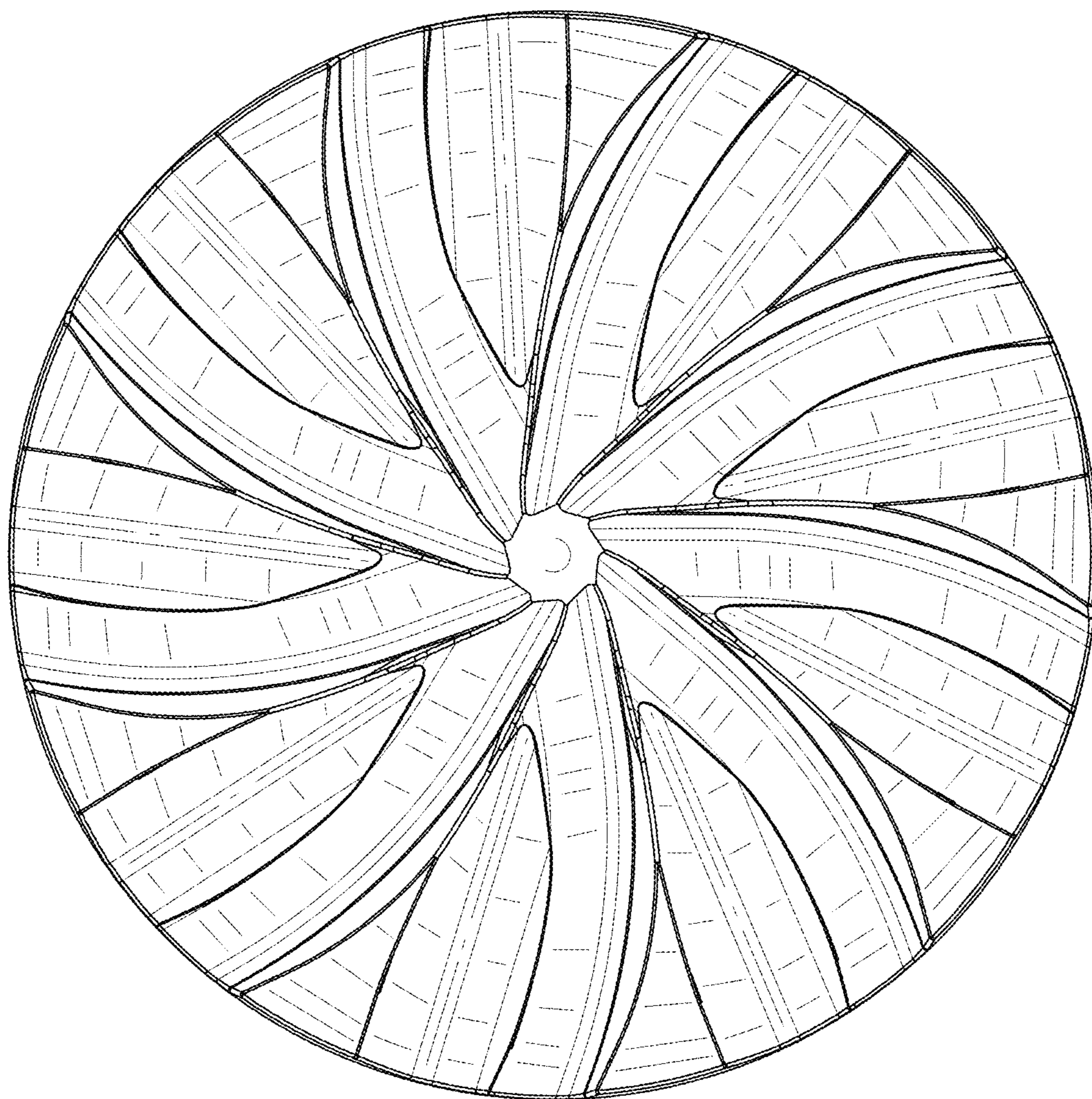


Fig. 4

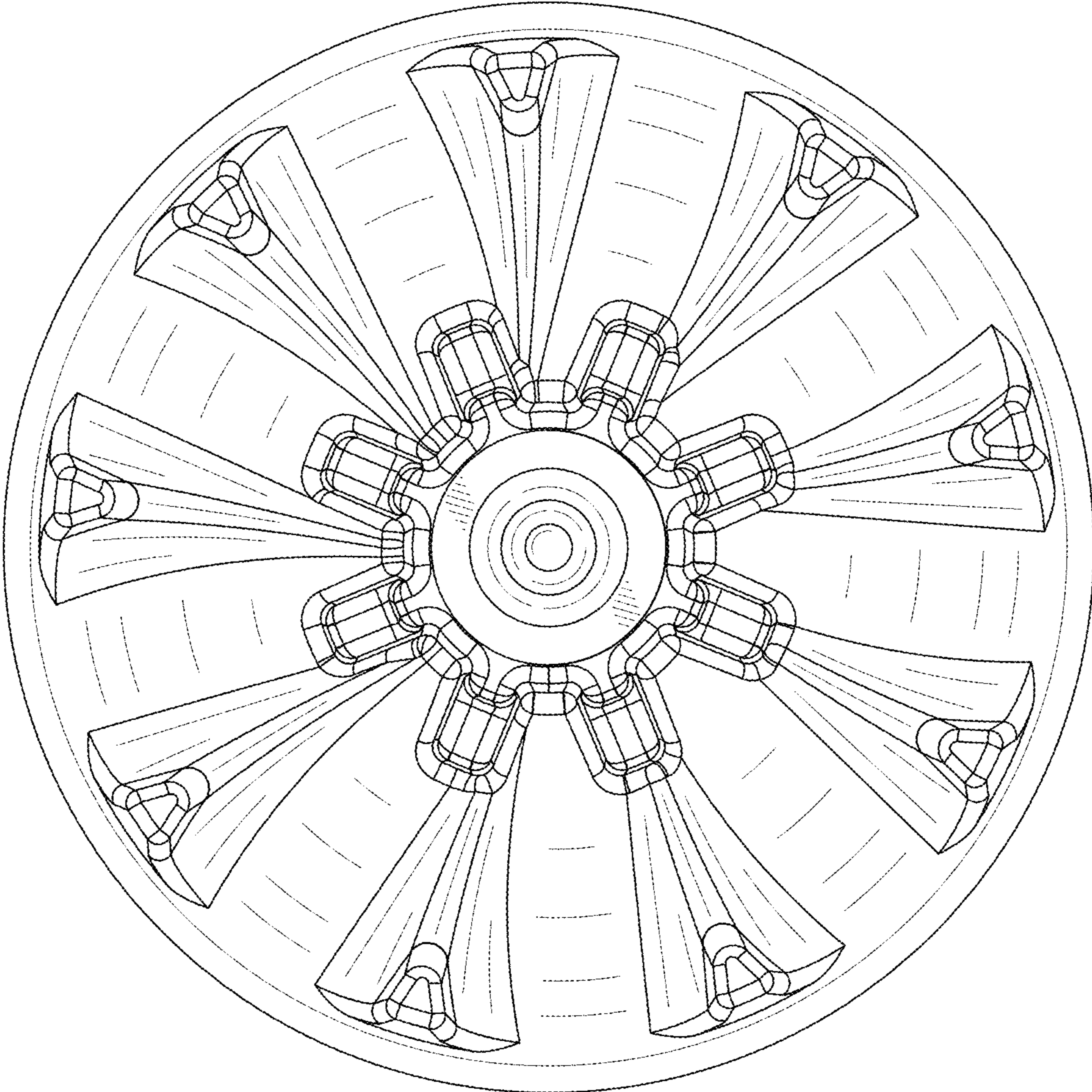


Fig. 5

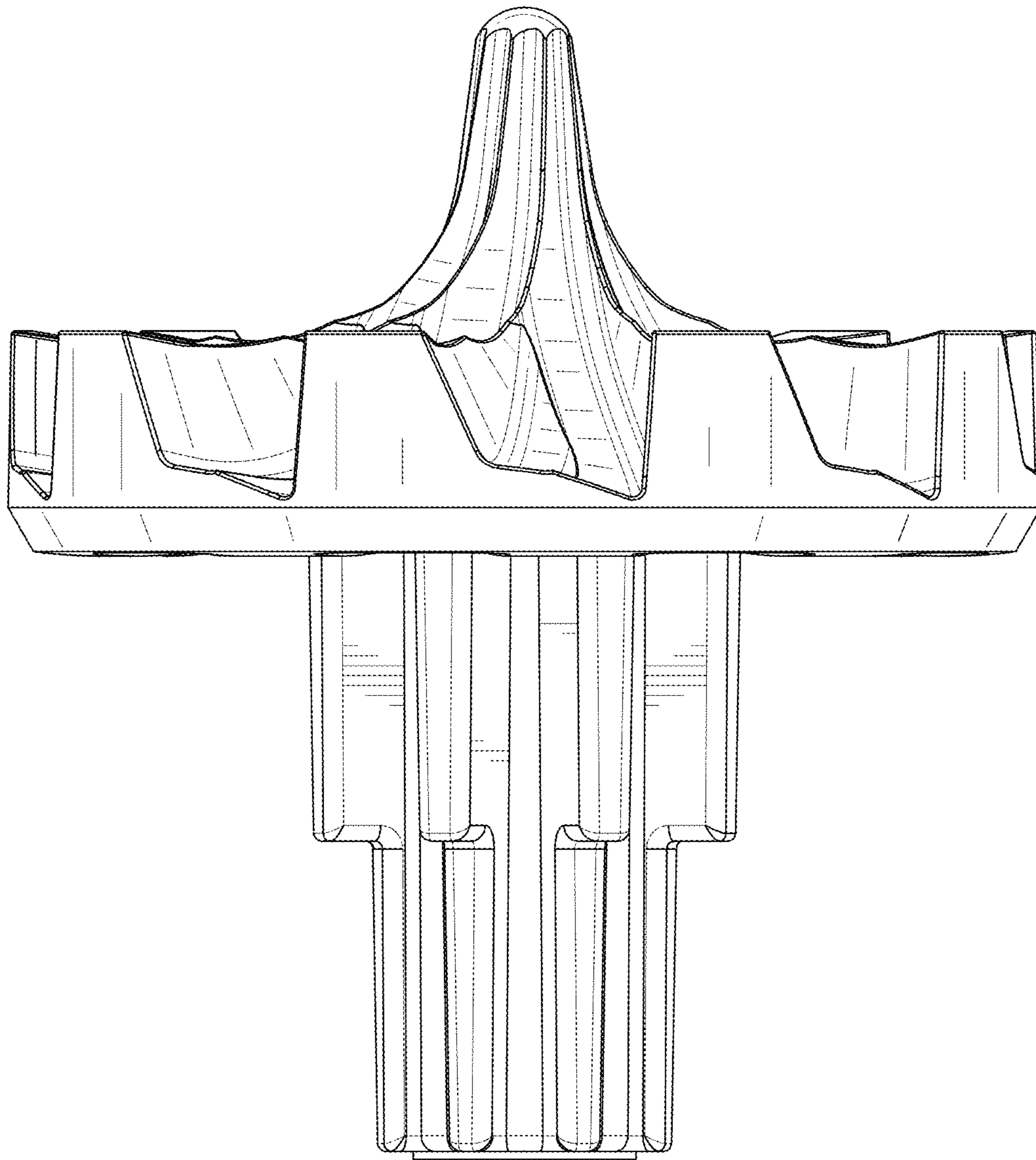


Fig. 6

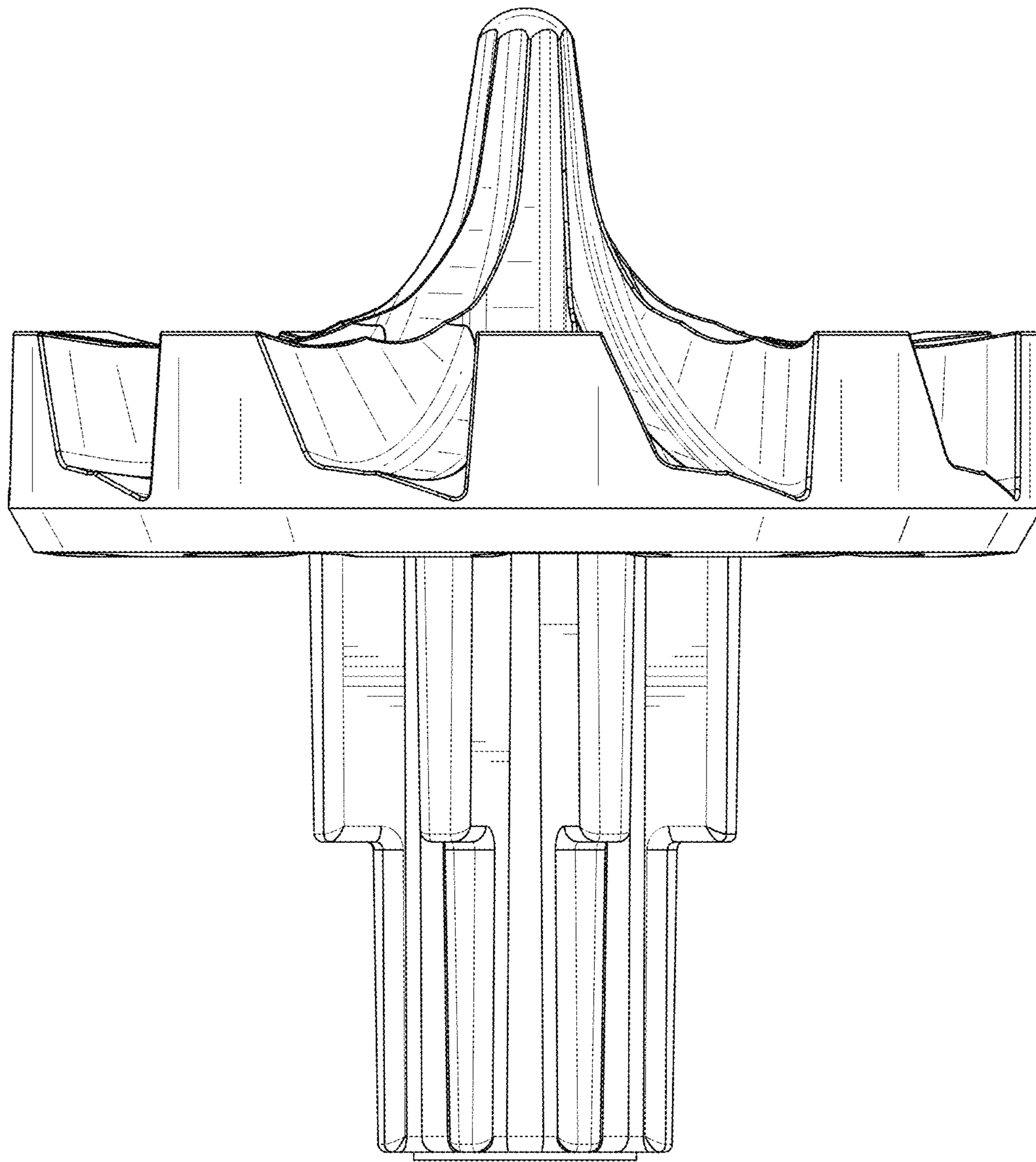


Fig. 7

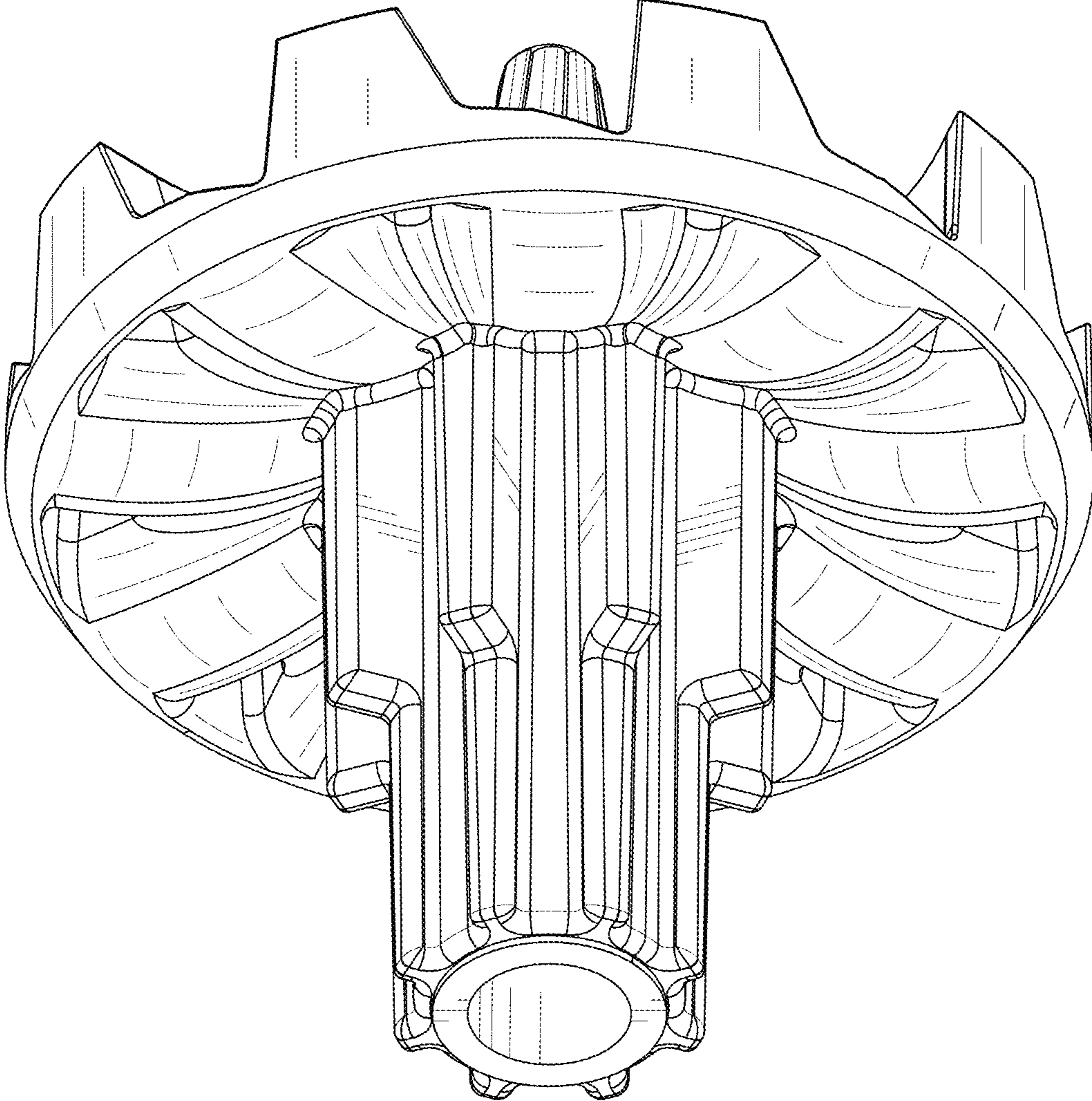


Fig. 8