



US00D870848S

(12) **United States Design Patent**  
**Sesser**

(10) **Patent No.:** **US D870,848 S**

(45) **Date of Patent:** **\*\* Dec. 24, 2019**

- (54) **DEFLECTOR PLATE**
- (71) Applicant: **Nelson Irrigation Corporation**, Walla Walla, WA (US)
- (72) Inventor: **George L. Sesser**, Walla Walla, WA (US)
- (73) Assignee: **NELSON IRRIGATION CORPORATION**, Walla Walla, WA (US)
- (\*\*) Term: **15 Years**
- (21) Appl. No.: **29/637,704**
- (22) Filed: **Feb. 21, 2018**
- (51) **LOC (12) Cl.** ..... **23-01**
- (52) **U.S. Cl.**  
USPC ..... **D23/214**
- (58) **Field of Classification Search**  
USPC ..... D23/213, 214, 221, 222, 223, 226, 227, D23/229, 230, 364, 366; D8/8; D9/521, D9/529, 687; D12/400; D15/139; D32/41, 42, 49; D4/118  
CPC ..... A62C 31/02; A62C 31/03; B05B 1/304; B05B 1/308; B65D 47/247; B65D 47/24; B65D 47/32; B65D 47/06  
See application file for complete search history.

(56) **References Cited**

**U.S. PATENT DOCUMENTS**

- D260,169 S \* 8/1981 Vikre ..... D23/214
- 4,967,961 A \* 11/1990 Hunter ..... A62C 37/10  
239/240
- D312,865 S \* 12/1990 Davisson ..... D23/214
- 5,620,141 A \* 4/1997 Chiang ..... B05B 3/0422  
239/206
- D400,547 S \* 11/1998 Albrektsson ..... D15/139
- D403,003 S \* 12/1998 Arfele ..... D15/139
- 6,688,539 B2 \* 2/2004 Vander Griend ..... B05B 3/0486  
239/214.13

- D665,953 S \* 8/2012 Leary ..... A01K 13/001  
D30/158
- D712,445 S \* 9/2014 Jang ..... D15/139
- D823,909 S \* 7/2018 Kawakami ..... D15/139
- 2004/0195360 A1 \* 10/2004 Walker ..... B05B 3/0422  
239/225.1
- 2006/0006254 A1 \* 1/2006 Meyer ..... B05B 3/005  
239/214
- 2010/0038450 A1 \* 2/2010 Sesser ..... B05B 3/008  
239/222.17
- 2010/0090024 A1 \* 4/2010 Hunnicutt ..... B05B 3/003  
239/204
- 2014/0110501 A1 \* 4/2014 Lawyer ..... B05B 3/003  
239/222.17

(Continued)

**OTHER PUBLICATIONS**

Komet Precision Twister Sprinkler w/Standard Deflector [Jul. 10, 2019] found online [Jul. 10, 2019]—<https://irrigationexpress.co.nz/komet-precision-twister-sprinkler-with-standard-deflector.html>.\*

*Primary Examiner* — Lakiya G Rogers

*Assistant Examiner* — John A Voytek

(74) *Attorney, Agent, or Firm* — Nixon & Vanderhye P.C.

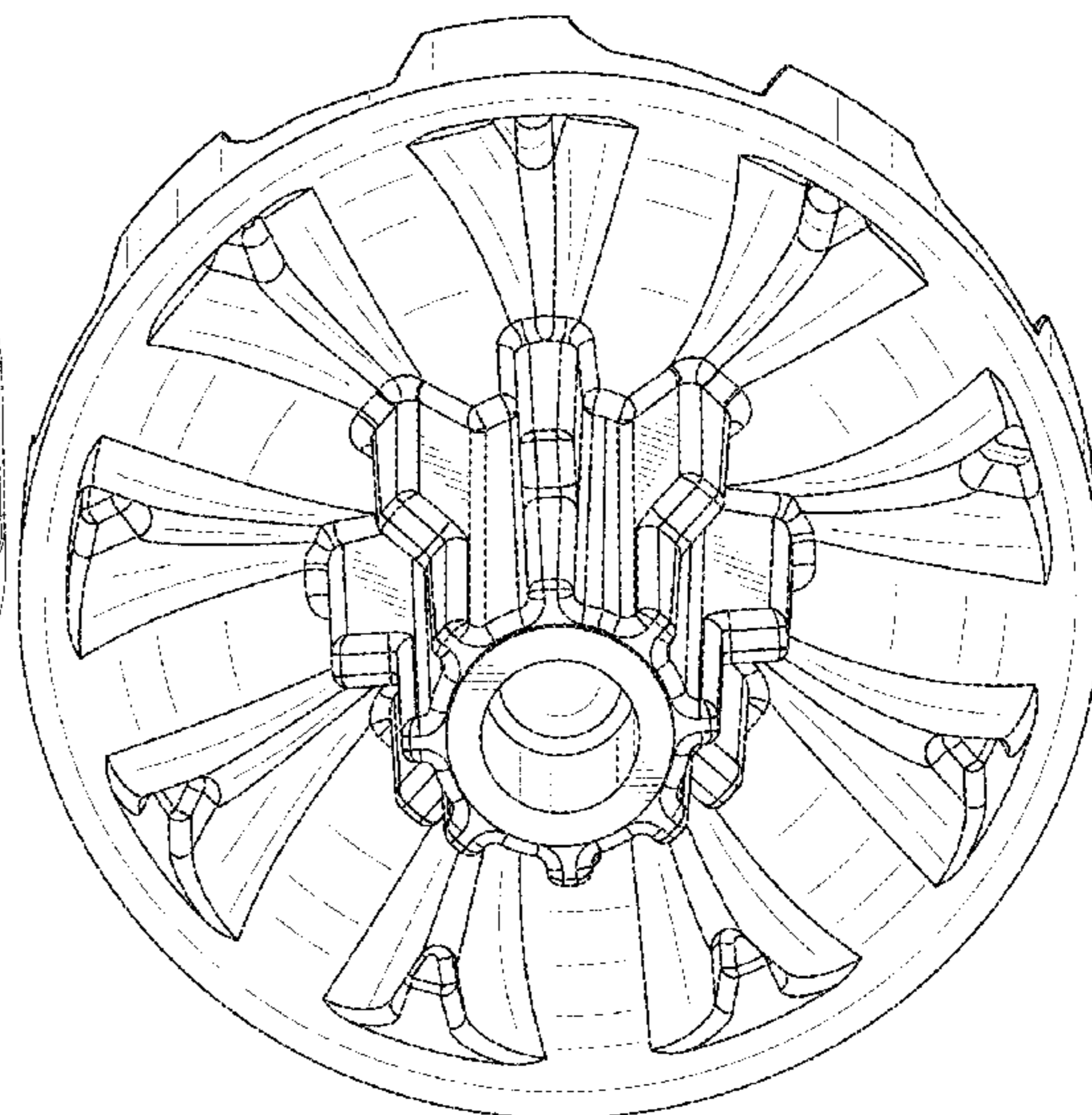
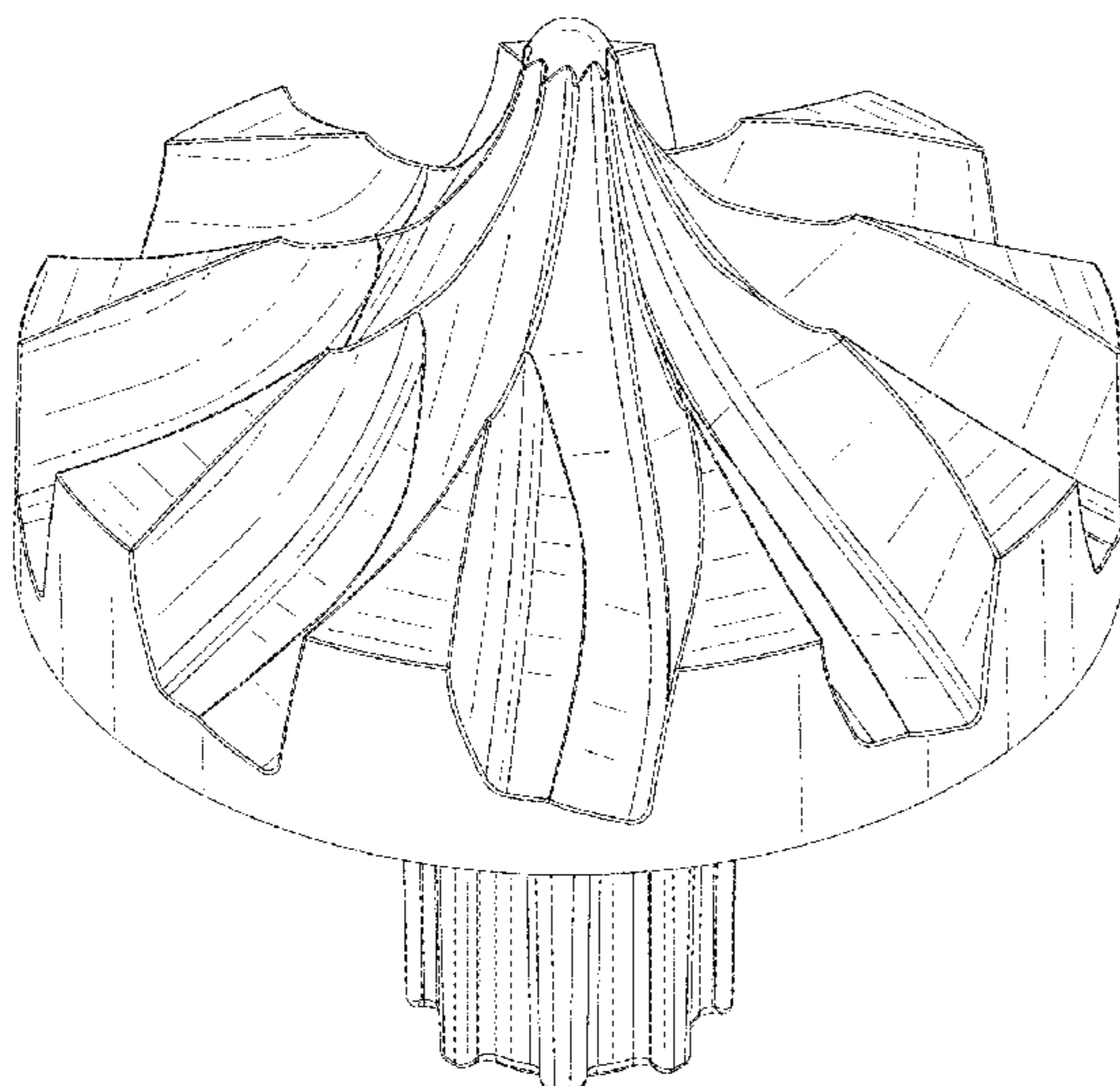
(57) **CLAIM**

The ornamental design for a deflector plate, as shown and described.

**DESCRIPTION**

FIG. 1 is a top perspective view of the deflector plate according to the invention;  
 FIG. 2 is a front view thereof;  
 FIG. 3 is a rear view thereof;  
 FIG. 4 is a top view thereof;  
 FIG. 5 is a bottom view thereof;  
 FIG. 6 is a right side view thereof;  
 FIG. 7 is a left side view thereof; and,  
 FIG. 8 is a bottom perspective view thereof.

**1 Claim, 8 Drawing Sheets**



(56)

**References Cited**

U.S. PATENT DOCUMENTS

2014/0339334 A1\* 11/2014 Kah, Jr. .... B05B 3/021  
239/222.13  
2017/0333924 A1\* 11/2017 Sesser ..... B05B 3/005  
2018/0361181 A1\* 12/2018 Huotari ..... A62C 31/02  
2019/0054480 A1\* 2/2019 Sesser ..... B05B 3/0486

\* cited by examiner

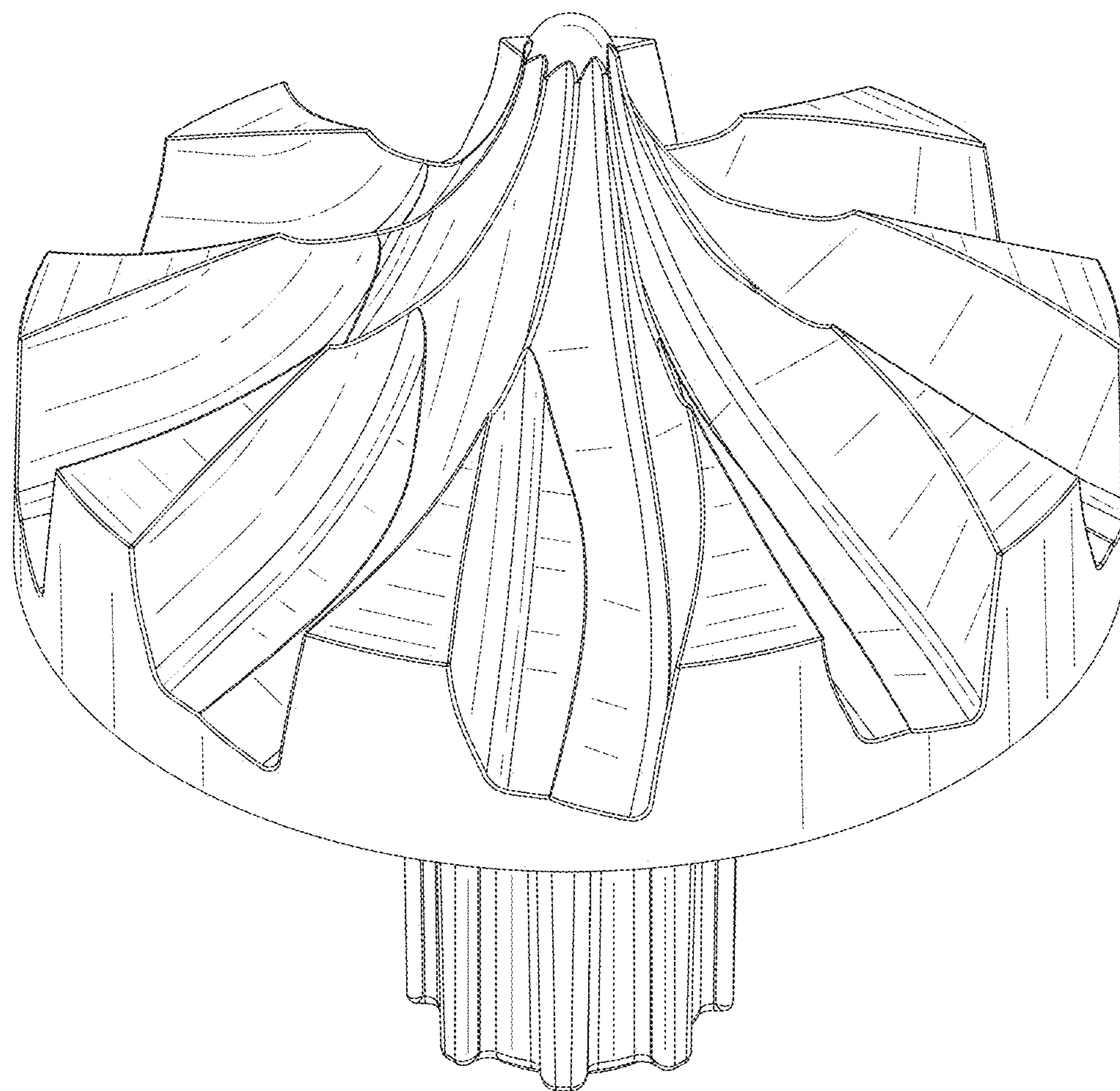


FIG. 1

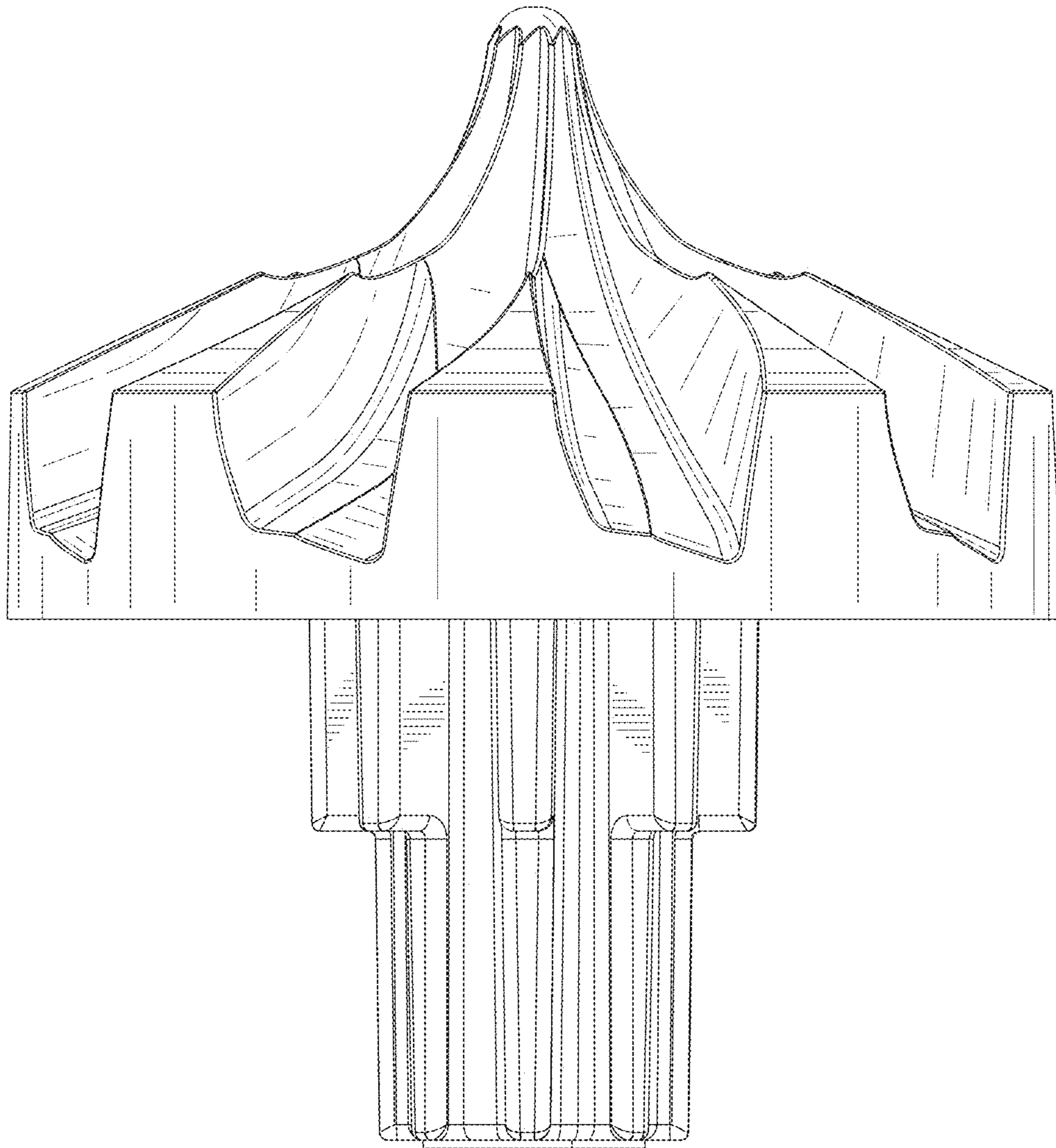
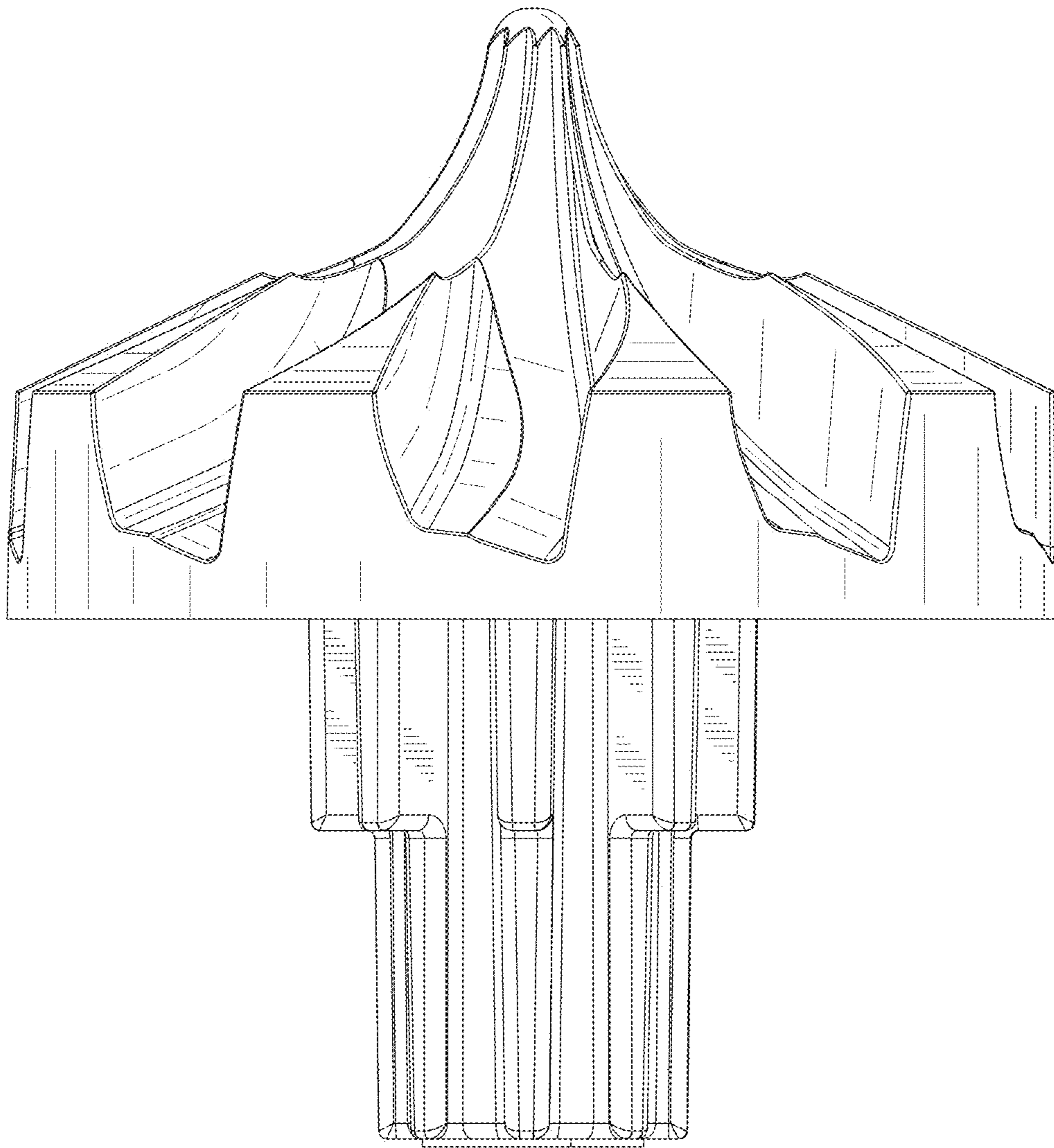


FIG. 2



**FIG. 3**

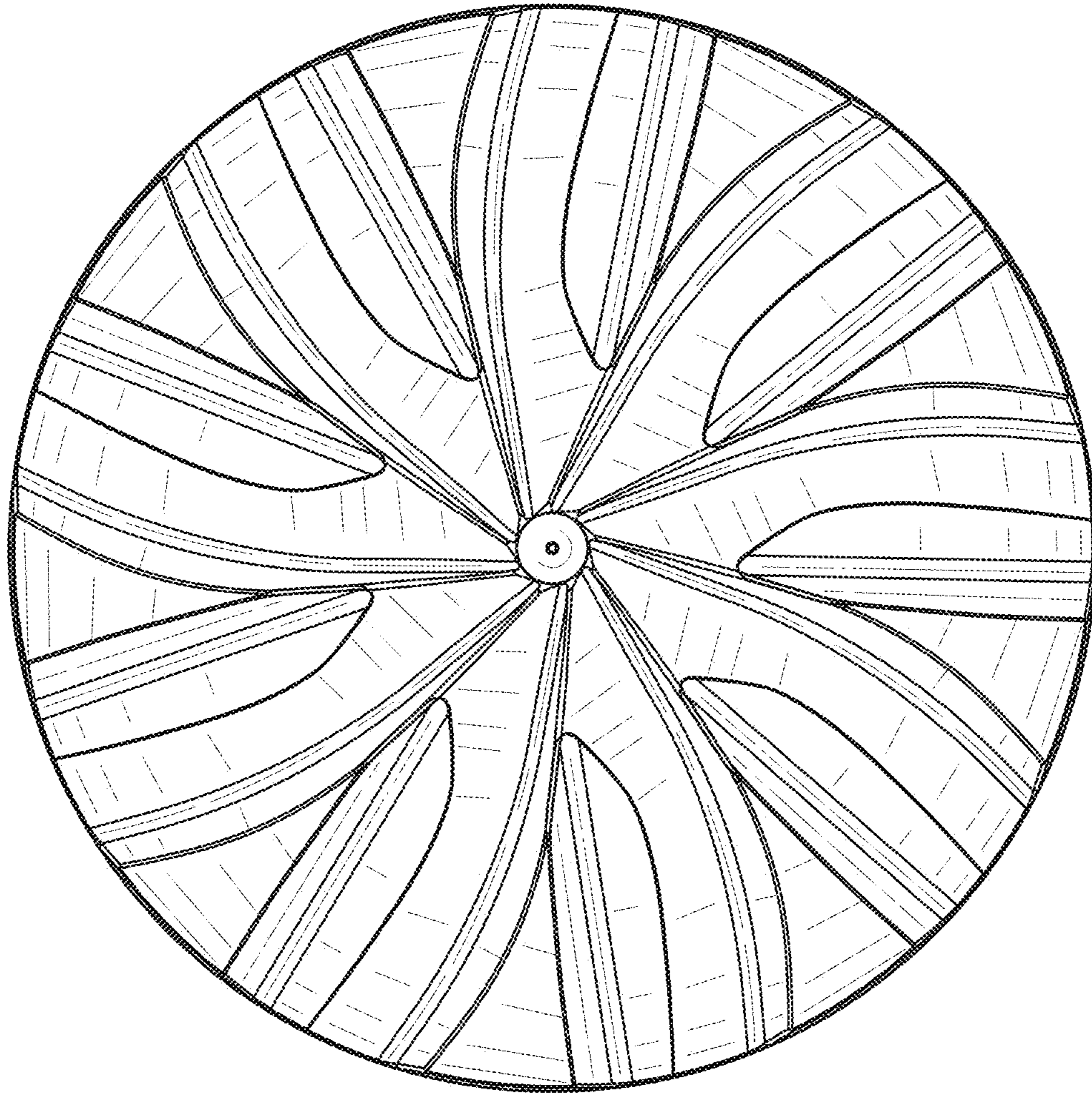


FIG. 4

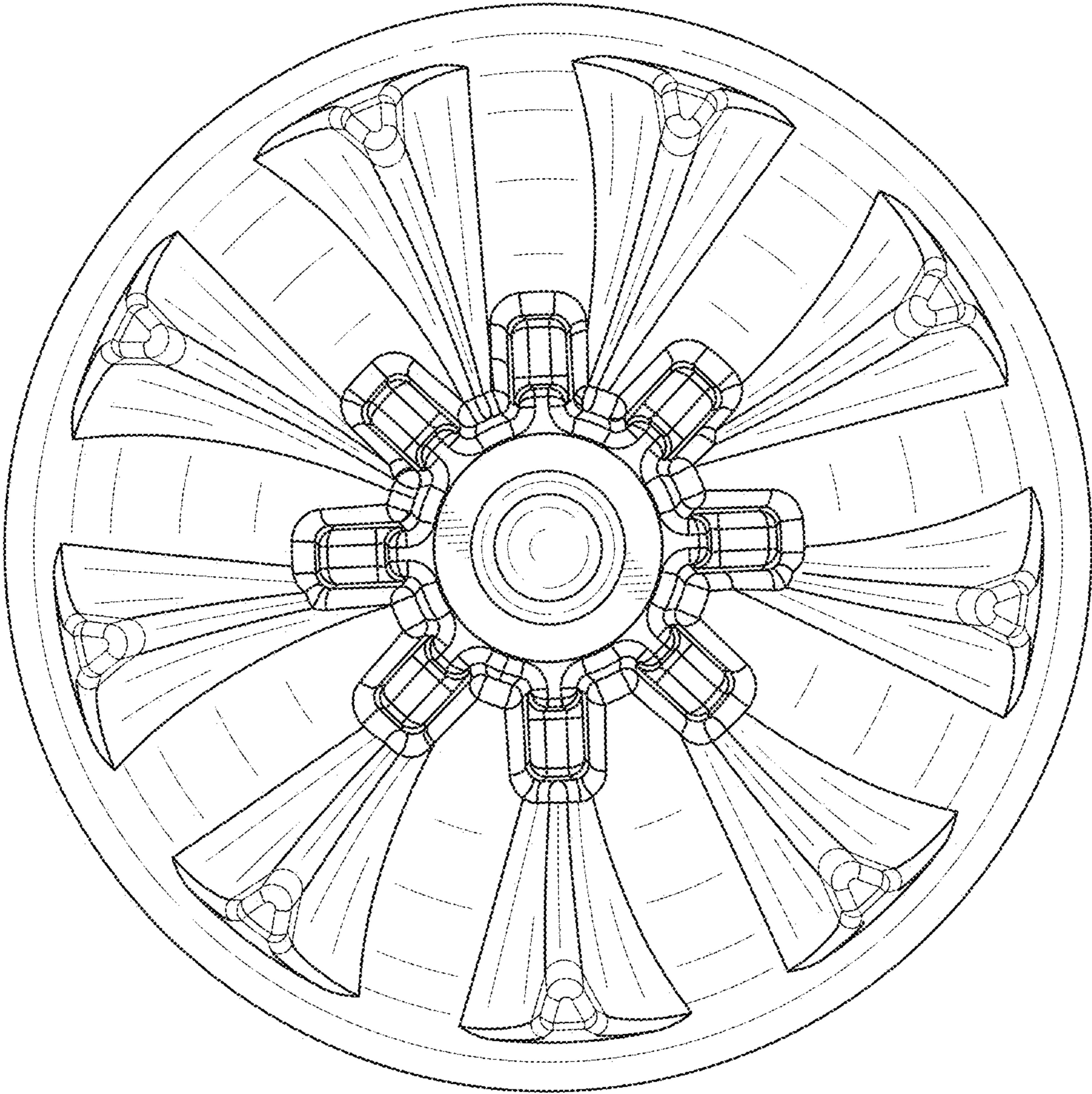


FIG. 5

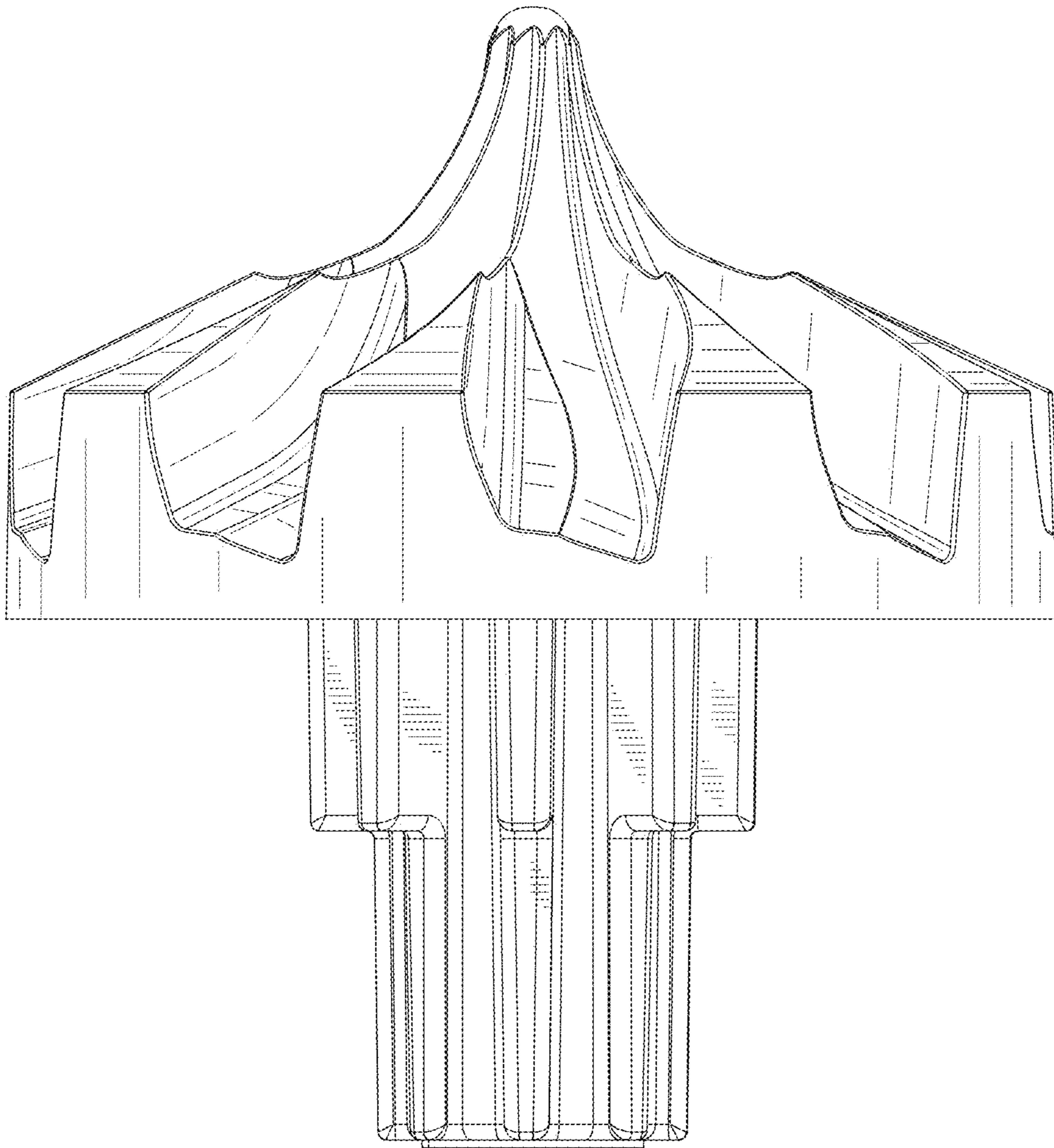


FIG. 6



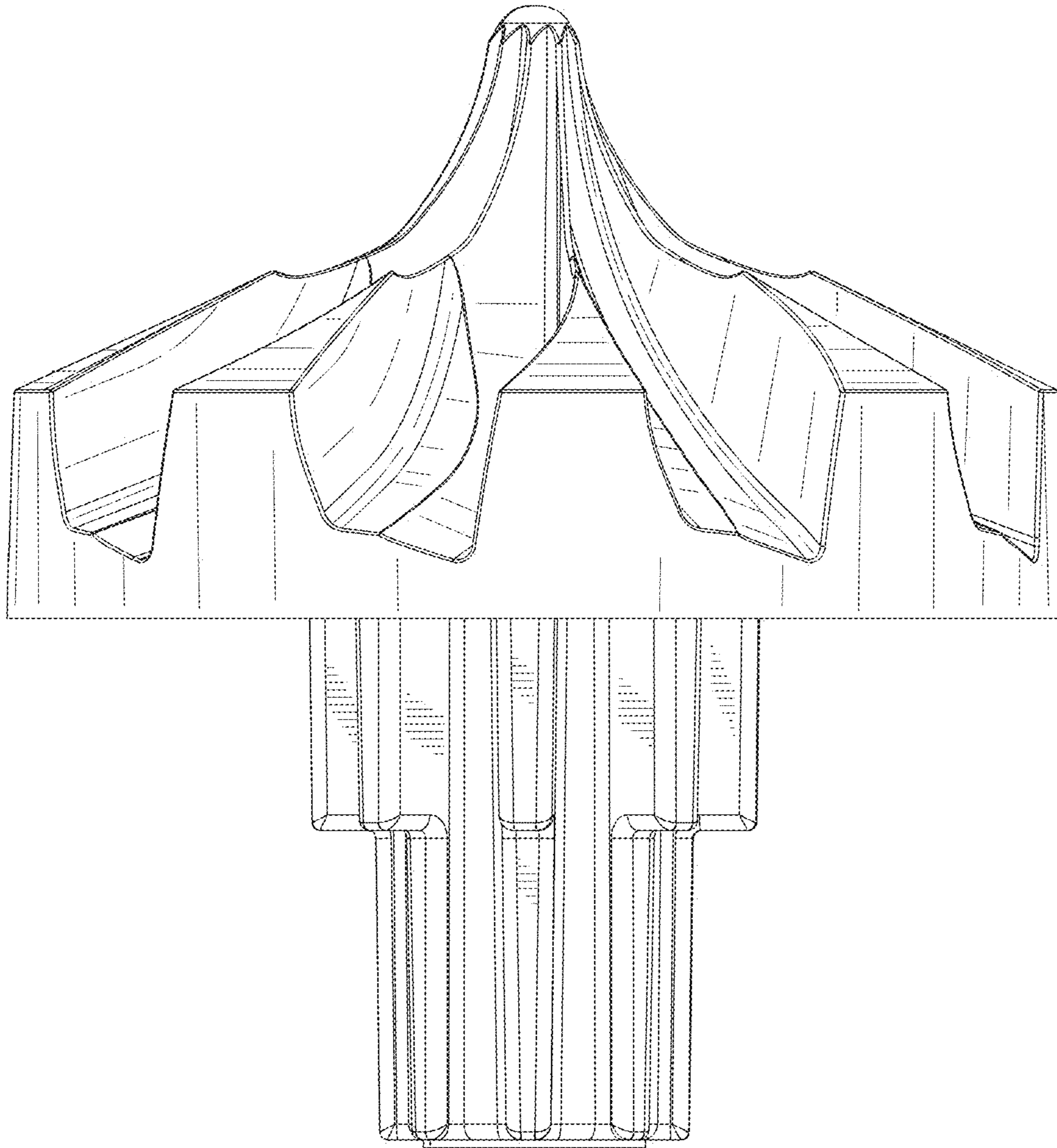


FIG. 7

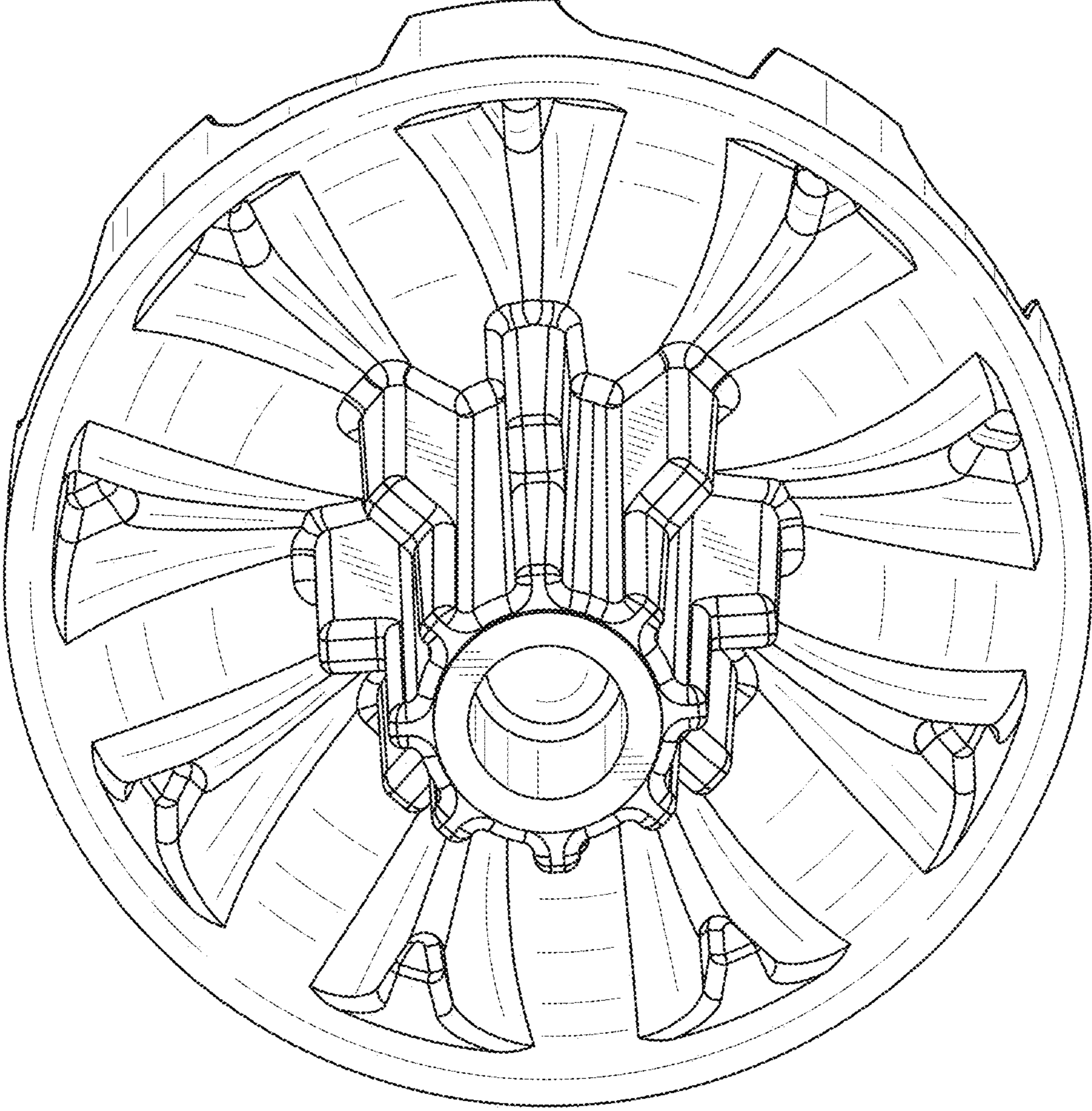


FIG. 8